



Features

- 40A switching capability
- 4kV dielectric strength (between coil and contacts)
- Heavy load up to 7200VA
- PCB coil terminals, ideal for heavy duty load
- Unenclosed, Plastic sealed and dust protected types available
- UL insulation system: Class F available
- Environmental friendly product (RoHS compliant)
- Outline Dimensions: (32.3 x 27.1x 20.0) mm

CONTACT DATA

Contact arrangement	1A 1B or 1C
Contact Resistance	100mΩ
Contact material	Silver alloy
Contact rating (Res. load)	30/40A 250VAC
Max. switching voltage	277VAC
Max. switching current	40A
Max. switching power	11080VA
Mechanical endurance	10,000,000 ops
Electrical endurance	100,000 ops

COIL

Coil power	0.9W or 1.0W or 1.1W or 1.4W.
------------	-------------------------------

COIL DATE (AT 23°C)

Nominal voltage (VDC)	Nominal operating current %10 (mA)	coil resistance 10% (Ω)	max allowable voltage	pick-up voltage (max)	Drop-out voltage (min)	Nominal operating power (W)
5	180	27	130% of nominal voltage	75% of nominal voltage	5% of nominal voltage	About 0.9
6	150	40				
9	100	90				
12	75	160				
18	50	360				
24	37.75	640				
48	18.75	2560	130% of nominal voltage	75% of nominal voltage	5% of nominal voltage	Abput 1.0
110	8.2	13400				
6	166.7	36				
12	83.3	144				
24	41.7	576	130% of nominal voltage	75% of nominal voltage	5% of nominal voltage	Abput 1.1
48	20.8	2304				
6	183.3	33	130% of nominal voltage	75% of nominal voltage	5% of nominal voltage	Abput 1.4
12	91.67	131				
24	45.83	524				
48	22.92	2095				
6	233.3	25.7	130% of nominal voltage	75% of nominal voltage	5% of nominal voltage	Abput 1.4
12	116.7	102.8				
24	25.3	411.4				
48	29.2	1645.7				

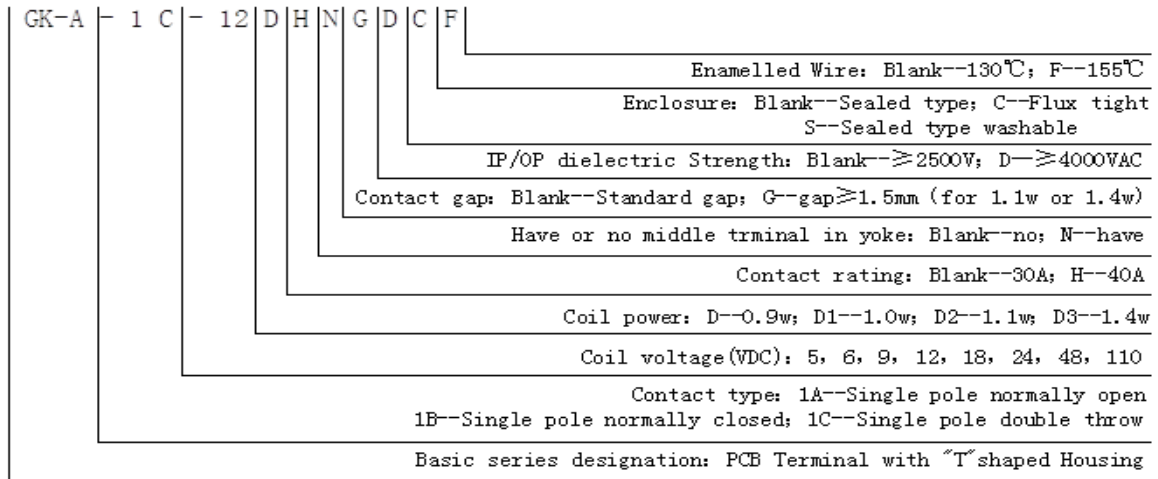
CHARACTERISTICS

Insulation resistance	1000MΩ (500VDC)
Dielectric strength	Between coil & contacts 2500/4000VAC 1min
	Between open contact 1500VAC 1min
Operate time (at nomi. ovlt)	≤15ms
Release time (at nomi. ovlt)	≤10ms
Vibration resistance	Functionna 10Hz~55Hz 1.5mm
	Destructive 10Hz~55Hz 1.5mm
Shock resistance	Functionna 10G Min.
	Destructive 100G Min.
Humidity	5%~85% Rh
Ambient temperature	-40°C~85°C
Termination	PCB
Unit weight	Approx 24g

Safety Approval Ratings

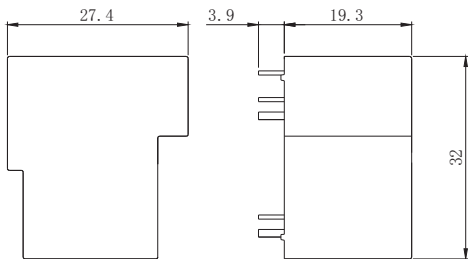
Approval	CQC	TUV	UL
File No.	CQC09002029470	R 50163611	E321783
Approval ratings	30A 250VAC 2HP 250VAC	40A 240VAC; COS Phi=1 40A 14VDC; L/R=0ms	40A, 277VAC, 15A, 240VAC 30FLA, 80LRA, 125VAC 30FLA, 80LRA, 240VAC 1.5HP, 277VAC

GK-A ORDERING INFORMATION



OUTLINE DIMENSIONS, WIRING DIAGRAM AND PC BOARD LAYOUT

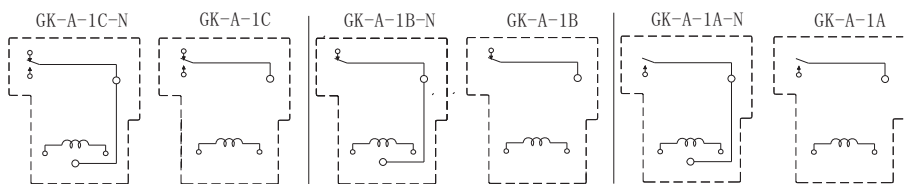
Outline Dimensions



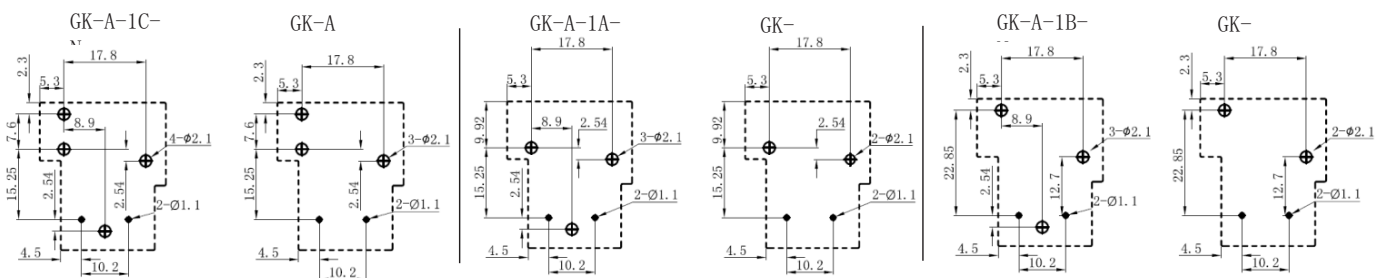
Outline dimensions hadn't specified tolerance^o

Outline Dimensions ^o	Tolerance ^o
$\leq 1^o$	$\pm 0.2^o$
$>1\sim 5^o$	$\pm 0.3^o$
$>5^o$	$\pm 0.4^o$

Wiring Diagram(Bottom view)



PCB Layout(Bottom view)



CHARACTERISTIC CURVES

TOLERANCE: $\pm 0.1mm$

