

GL339/339A

LOW POWER, LOW OFFSET VOLTAGE QUAD COMPARATORS

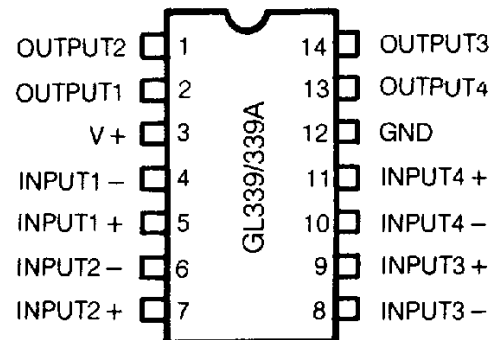
Description

The GL339 consists of four independent precision voltage comparators designed specifically to operate from a single power supply. Operation from split power supplies is also possible and the low power supply current drain is independent of the supply voltage range. Darlington connected pnp input stage allows the input common-mode voltage to include ground.

Features

- **Single Supply Operation** +2.0V to +36V
- **Dual Supply Operation** $\pm 1.0V$ to $\pm 18V$
- **Compatible with All forms of Logic**
- **Allow Comparison of Voltages Near Ground Potential**
- **Low Current Drain** 800 μA TYP
- **Low Input Bias Current** 25nA TYP
- **Low Input Offset Current** ± 5 nA TYP
- **Low Offset Voltage** $\pm 2mV$

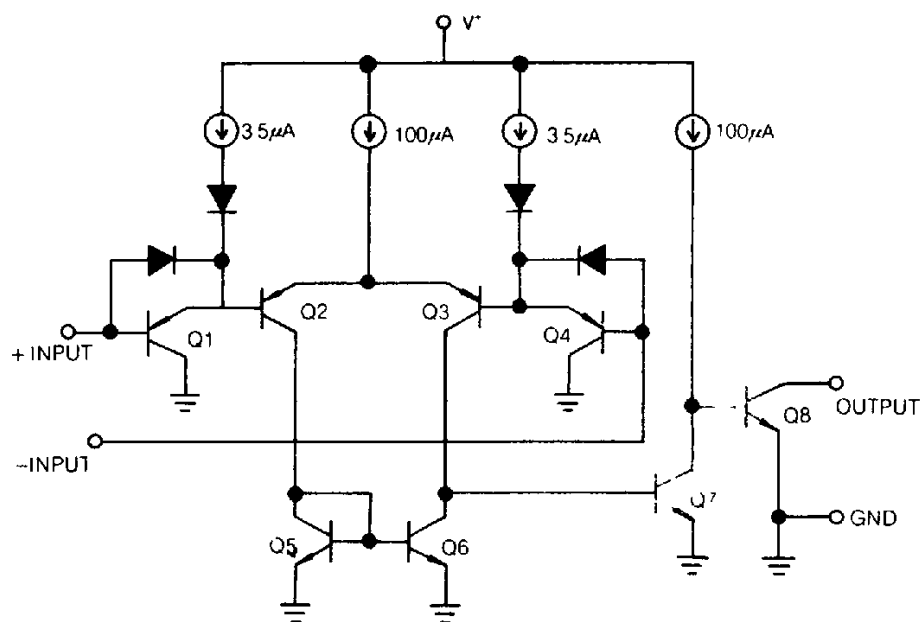
Pin Configuration



Absolute Maximum Ratings

Supply Voltage, V^+	..	+36V or $\pm 18V$
Differential Input Voltage		36V
Input Voltage Range		-0.3V to +36V
Power Dissipation		1000 mW
Input current ($V_{IN} < -0.3V$)		50 mA
Operating Temperature Range		-0°C to +70°C
Storage Temperature Range		-55°C to +125°C
Pin Temperature		260°C

Schematic Diagram



Electrical Characteristics: $V^+ = 5V, T_A = 25^\circ\text{C}$, unless otherwise specified)

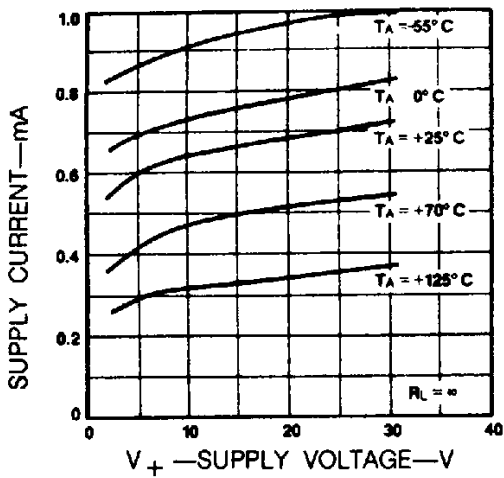
PARAMETER	Test Conditions	GL339			GL339A			UNIT
		MIN	TYP	MAX	MIN	TYP	MAX	
Input Offset Voltage	At out switch point $V_o = 1.4, R_s = 0$ $V_{REF} = 1.4V$ $0^\circ\text{C} \leq T_A \leq 70^\circ\text{C}$		± 2	± 5		± 1	± 2	mV
				9		4		
Input Bias Current (1)	Output in linear range $0^\circ\text{C} \leq T_A \leq 70^\circ\text{C}$		25	250		25	250	nA
				400		400		
Input Offset Current	$0^\circ\text{C} \leq T_A \leq 70^\circ\text{C}$		± 5	± 50		± 5	± 50	nA
				± 150		± 150		
Input Common-Mode Voltage Range (2)	$0^\circ\text{C} \leq T_A \leq 70^\circ\text{C}$	0		$V^+ - 1.5$	0		$V^+ - 1.5$	V
		0		$V^+ - 2.0$	0		$V^+ - 2.0$	
Supply Current	$R_L = \infty$		0.8	2.0		0.8	2.0	mA
Supply Current	$V_{CC} = 30V, R_L = \infty$			2.5			2.5	mA
Voltage Gain	$R_L \geq 15K\Omega, V^+ = 15V$	93	106		93	106		dB
Large Signal Response Time	$V_{IN} = \text{TTL logic swing}$ $V_{REF} = 1.4V, R_L = 5.1K\Omega$ $V_{RL} = 5V$		300			300		ns
Response Time (3)	$V_{RL} = 5V, R_L = 5.1K\Omega$		1.3			1.3		μs
Output Sink Current	$V_{IN(-)} \geq 1V, V_{IN(+)} = 0V,$ $V_o \leq 1.5V$	6	16		6	16		mA
Output Saturation	$V_{IN(-)} \geq 1V$ $V_{IN(+)} = 0V$ $I_{sink} \leq 4mA$ $0^\circ\text{C} \leq T_A \leq 70^\circ\text{C}$		250	400		250	400	mV
				700		700		
Output Leakage	$V_{IN(+)} \geq 1V$ $V_{IN(-)} = 0V$ $0^\circ\text{C} \leq T_A \leq 70^\circ\text{C}$		0.1			0.1		nA
				1000		1000		
Differential Input Voltage	All $V_{IN} \geq 0V$ (or V^- if split supply is used) $0^\circ\text{C} \leq T_A \leq 70^\circ\text{C}$			V^+			V^+	V

NOTES:

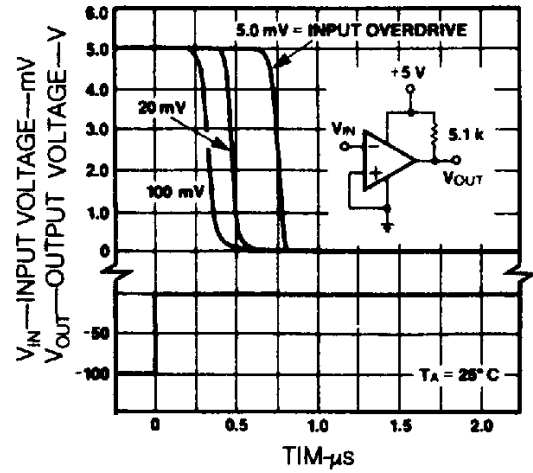
- (1) The direction of the current is out of the IC due to the PNP input stage. This current is essentially constant, independent of the state of the output, so no loading change exists on the reference or input lines.
- (2) If either input of any comparators goes more negative than 0.3V below ground, a parasitic transistor turns on causing high input current and possible faulty outputs. This condition is not destructive providing the input current is limited to less than 50mA.
- (3) The response time specified is for a 100mA input step with 5mV overdrive. For larger overdrive signals 300 nsec can be obtained.

TYPICAL PERFORMANCE CURVES

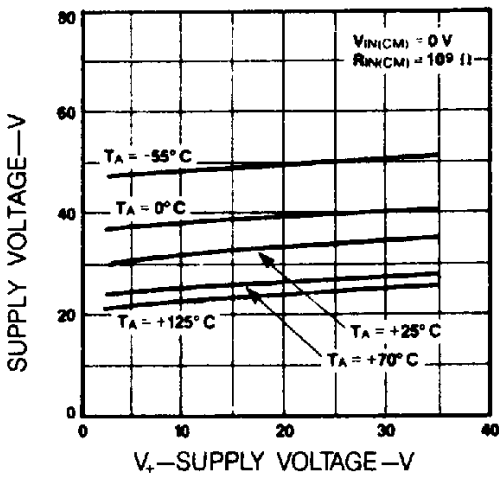
Supply Current



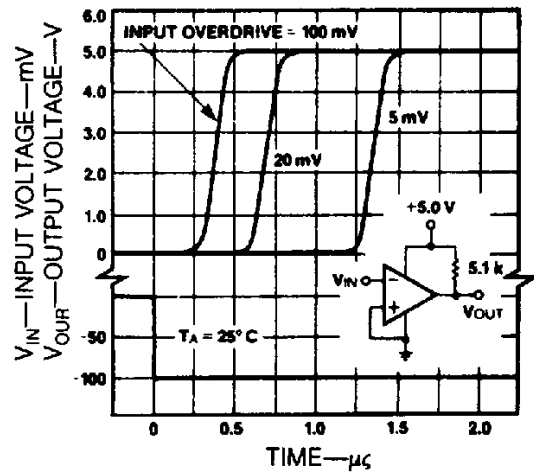
Response Time for Various Input Overdrives—Negative Transition



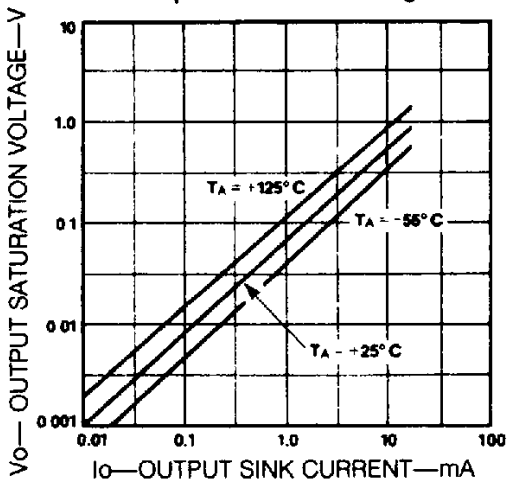
Input Current



Response Time for Various Input Overdrives—Positive Transition



Output Saturation Voltage



APPLICATION NOTE

The GL339/A are high-gain, wide-bandwidth devices which, like most comparators, can easily oscillate if the output lead is inadvertently allowed to capacitively couple to the inputs via stray capacitance. This shows up only during the output voltage transition intervals as the comparator changes states. Power supply bypassing is not required to solve this problem. Standard PC board layout is helpful as it reduces stray input-output coupling. Reducing the input resistors to $< 10\text{ k}\Omega$ reduces the feedback signal levels and finally, adding even a small amount (1.0 to 10mV) of positive feedback (hysteresis) causes such a rapid transition that oscillations due to stray feedback are not possible. Simply socketing the IC and attaching resistors to the pins will cause input-output oscillations during the small transition intervals unless hysteresis is used. If the input signal is a pulse waveform, with relatively fast rise and fall times, hysteresis is not required.

All pins of any unused comparators should be grounded.

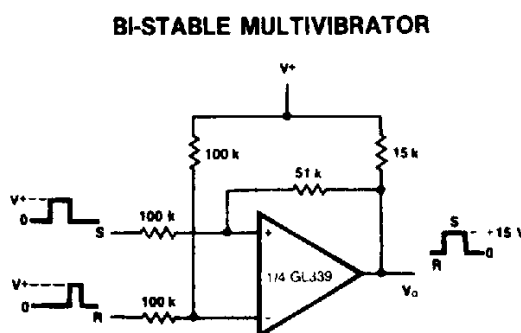
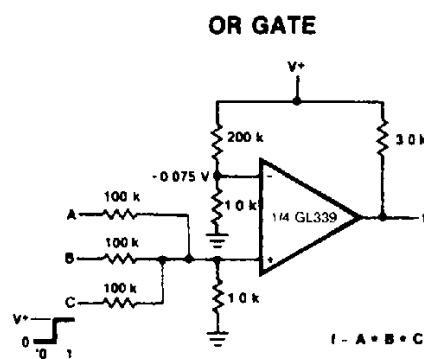
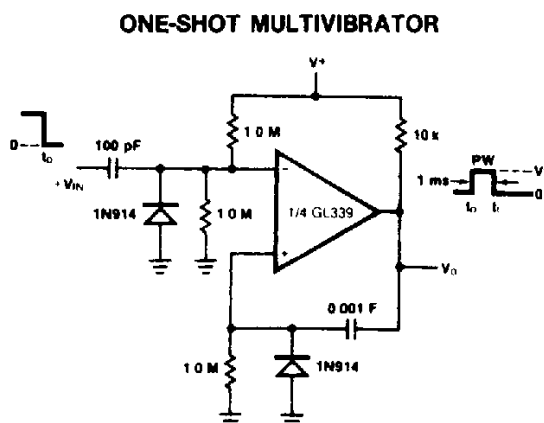
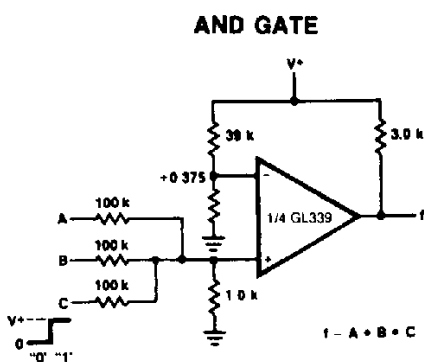
The bias network of the GL339/A establishes a drain current which is independent of the magnitude of the power supply voltage over the range of from 2 V to 30 V

It is usually unnecessary to use a bypass capacitor across the power supply line

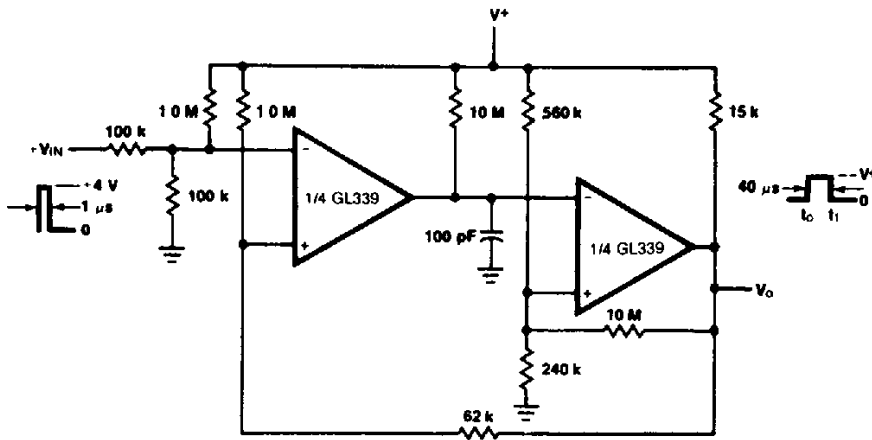
The differential input voltage may be larger than V^+ without damaging the device. Protection should be provided to prevent the input voltages from going negative more than -0.3V (at 25°C). An input clamp diode can be used as shown in the applications section

The output of the GL339/A is the uncommitted collector of a grounded-emitter npn output transistor. Many collectors can be tied together to provide an output ORing function. An output pull-up resistor can be connected to any available power supply voltage within the permitted supply voltage range and there is no restriction on this voltage due to the magnitude of the voltage which is applied to the V^+ terminal of the GL339/A package. The output can also be used as a simple SPST switch to ground (when a pull-up resistor is not used). The amount of current which the output device can sink is limited by the drive available (which is independent of V^+) and the β of this device. When the maximum current limit is reached (approximately 16 mA), the output transistor will come out of saturation and the output voltage will rise very rapidly. The output saturation voltage is limited by the approximately $60\ \Omega$ saturation resistance of the output transistor. The low offset voltage of the output transistor (1 mV) allows the output to clamp essentially to ground level for small load currents

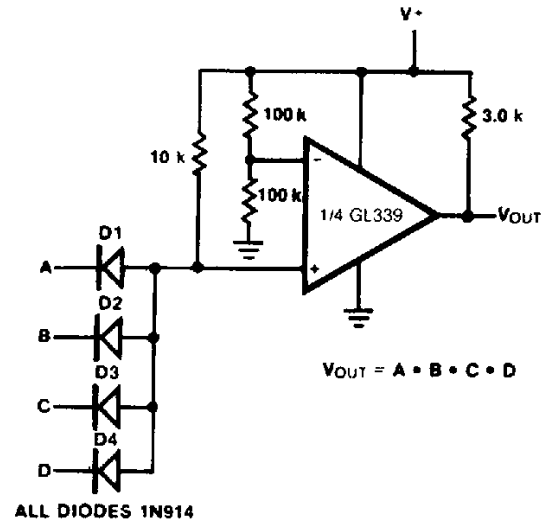
1. TYPICAL APPLICATIONS ($V^+ = 15\text{ V}$)



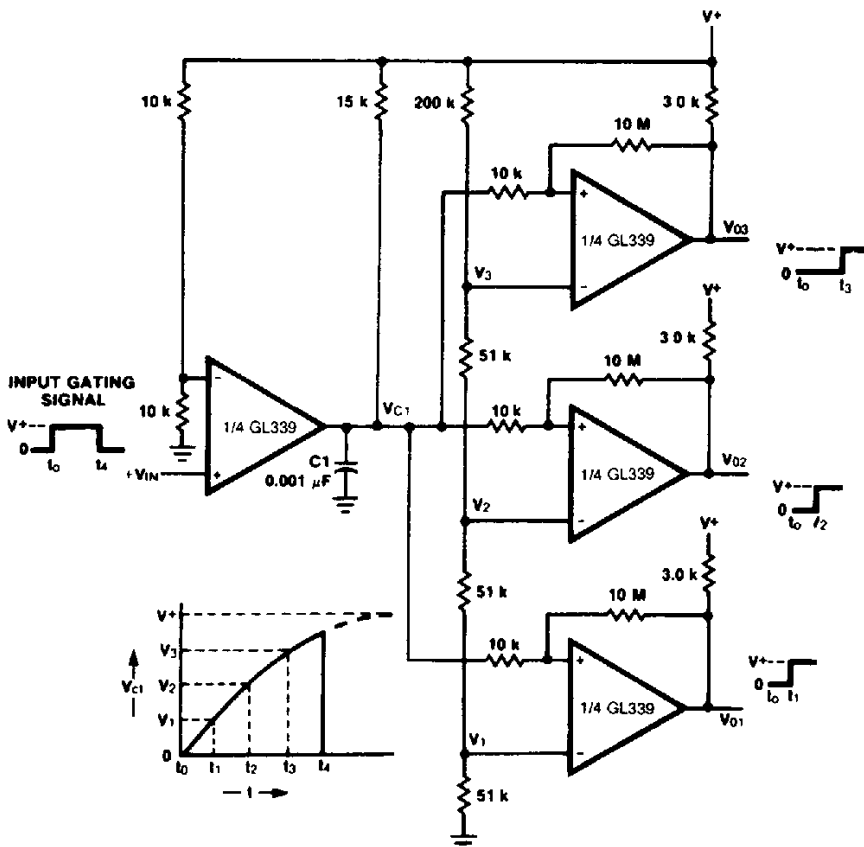
ONE-SHOT MULTIVIBRATOR WITH INPUT LOCK OUT



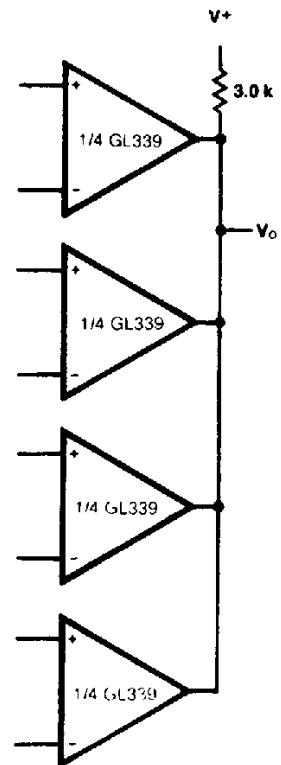
LARGE FAN-IN AND GATE



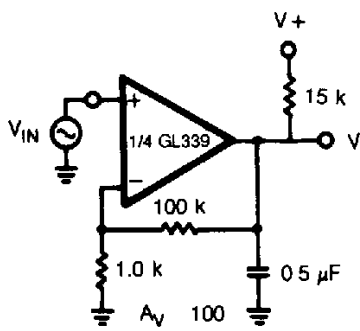
TIME DELAY GENERATOR



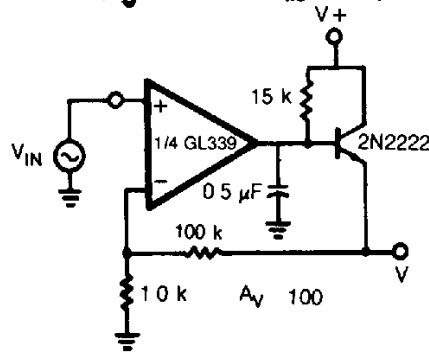
ORING THE OUTPUTS



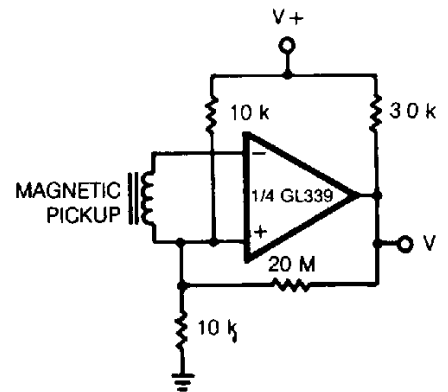
LOW FREQUENCY OP AMP



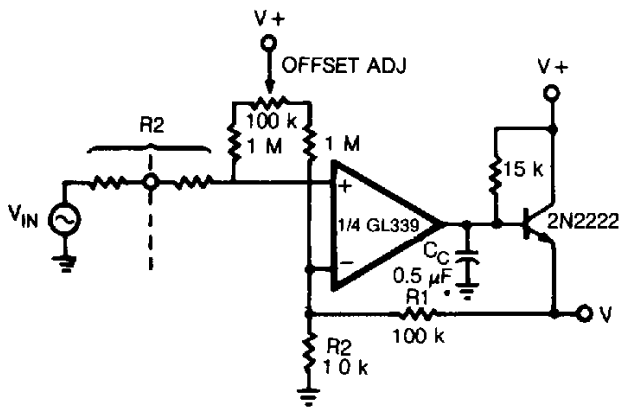
LOW FREQUENCY OP AMP
($V_O = 0$ V FOR $V_{IN} = 0$ V)



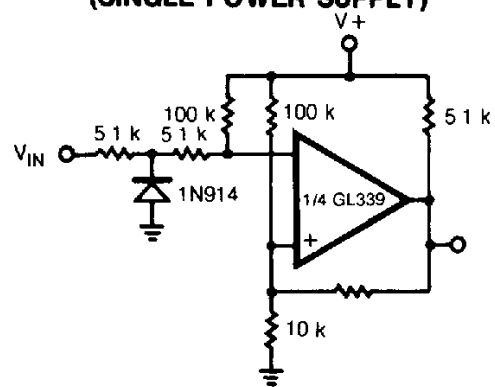
TRANSDUCER AMPLIFIER



LOW FREQUENCY OP AMP WITH OFFSET ADJUST

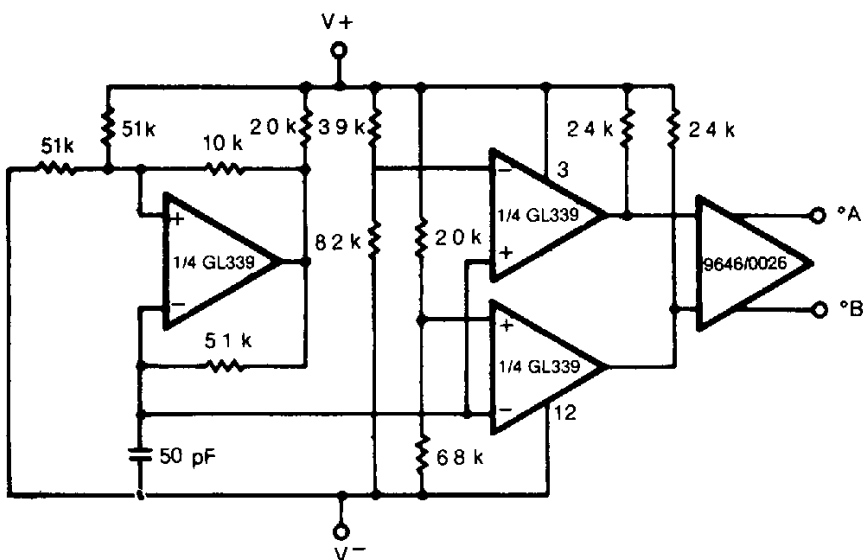


ZERO CROSSING DETECTOR
(SINGLE POWER SUPPLY)

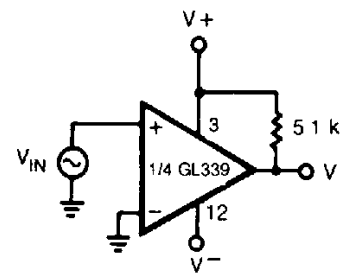


2. SPLIT-SUPPLY APPLICATIONS $V^+ = +15$ V and $V^- = -15$ V

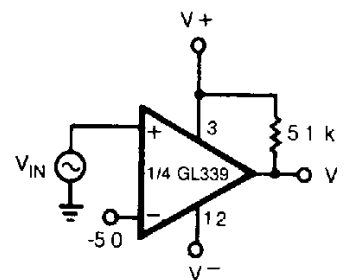
MOS CLOCK DRIVER



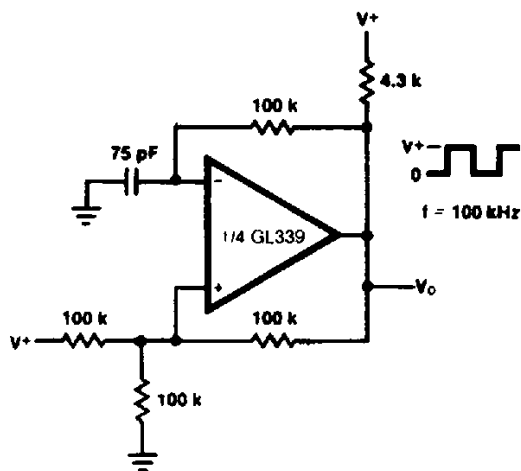
ZERO CROSSING DETECTOR



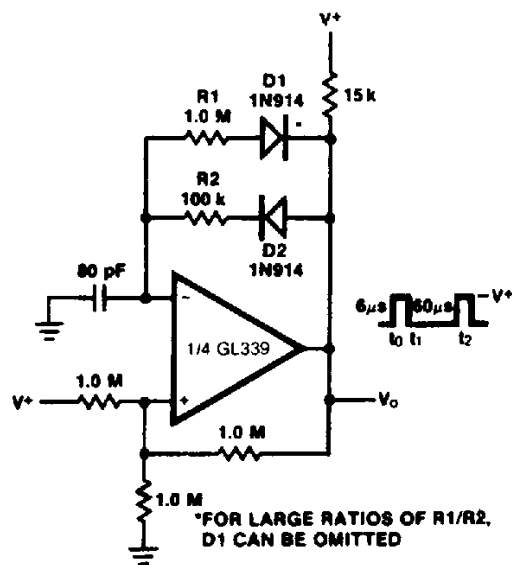
COMPARATOR WITH A NEGATIVE REFERENCE



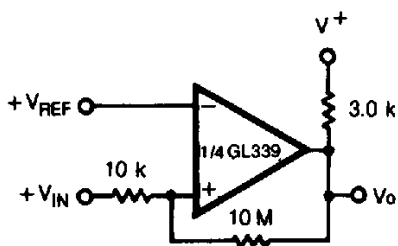
SQUAREWAVE-OSCILLATOR



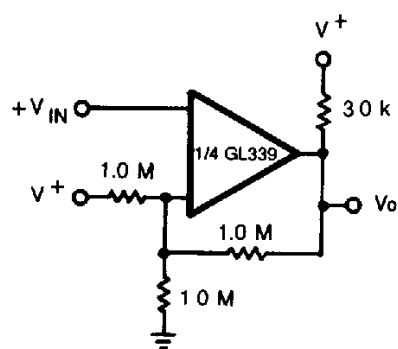
PULSE GENERATOR



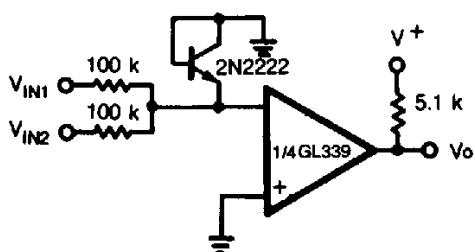
NON-INVERTING COMPARATOR WITH HYSTERESIS



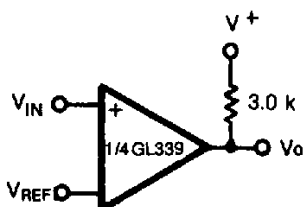
INVERTING COMPARATOR WITH HYSTERESIS



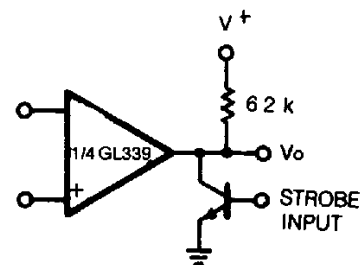
COMPARING INPUT VOLTAGES OF OPPOSITE POLARITY



BASIC COMPARATOR

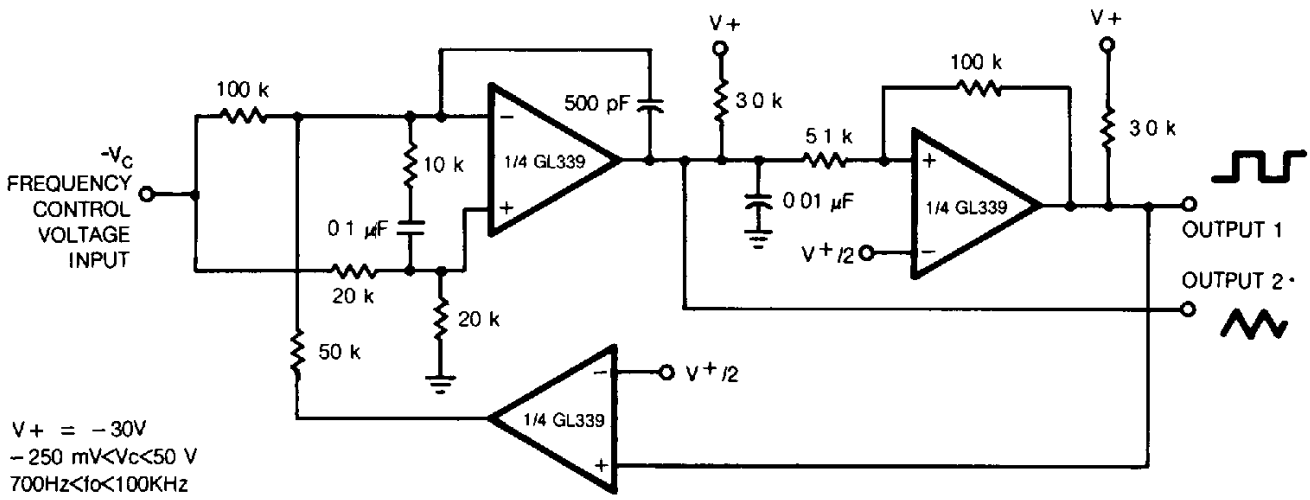


OUTPUT STROBING

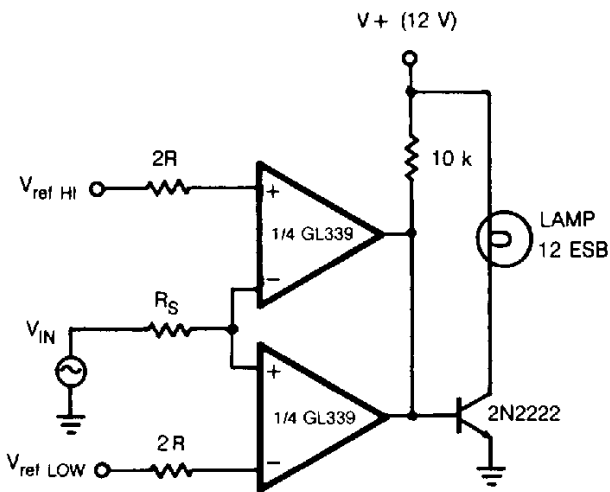


OR LOGIC GATE WITHOUT PULL-UP RESISTOR

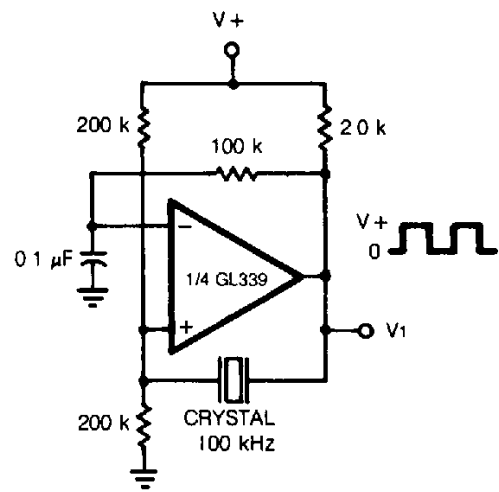
TWO-DECADE HIGH-FREQUENCY VCO



LIMIT COMPARATOR



CRYSTAL CONTROLLED OSCILLATOR



GL393/393A

LOW POWER, LOW OFFSET VOLTAGE DUAL COMPARATORS

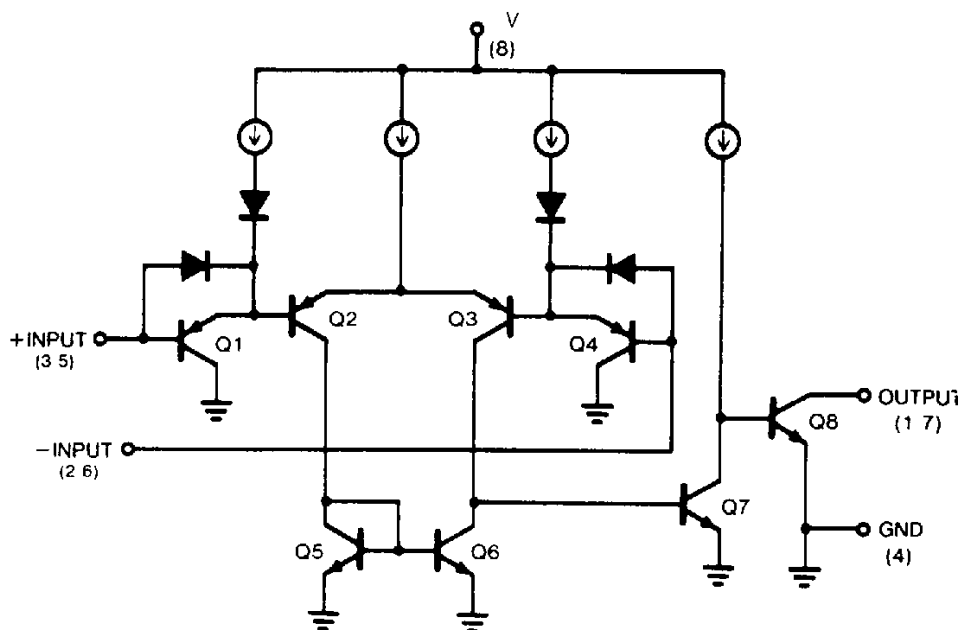
Description

The GL393 consists of two independent precision voltage comparators designed specifically to operate from a single power supply. Operation from split power supplies is also possible and the low power supply current drain is independent of the supply voltage range. Darlington connected pnp input stage allows the input common-mode voltage to include ground.

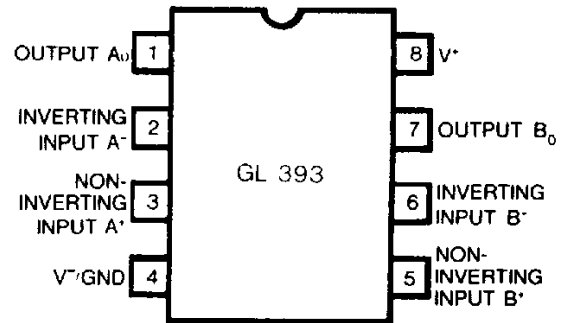
Features

- Single Supply Operation +2.0V to +36V
- Dual Supply Operation $\pm 1.0V$ to $\pm 18V$
- Compatible with All forms of Logic
- Allow Comparison of Voltages Near Ground Potential
- Low Current Drain 400 μA TYP
- Low Input Bias Current 25nA TYP
- Low Input Offset Current ± 5 nA TYP
- Low Offset Voltage $\pm 2mV$

Schematic Diagram



Pin Configuration



Absolute Maximum Ratings

Supply Voltage, V^+	+36V or $\pm 18V$
Differential Input Voltage	36V
Input Voltage Range	-0.3V to +36V
Power Dissipation	500mW
Input Current ($V_{IN} < -0.3V$)	50 mA
Operating Temperature Range	0°C to +70°C
Storage Temperature Range	-55°C to +125°C
Pin Temperature	260°C

Electrical Characteristics: $V^+ = 5V$ $T_A = 25^\circ C$, unless otherwise specified)

PARAMETER	Test Conditions	GL393			GL393A			UNIT
		MIN	TYP	MAX	MIN	TYP	MAX	
Input Offset Voltage	At out. switch point $V_o = 1.4$; $R_s = 0$ $V_{REF} = 1.4V$ $0^\circ C \leq T_A \leq 70^\circ C$		± 2	± 5		± 1	± 2	mV
				9			4	
Input Bias Current (1)	Output in linear range $0^\circ C \leq T_A \leq 70^\circ C$		25	250		25	250	nA
				400			400	
Input Offset Current	$0^\circ C \leq T_A \leq 70^\circ C$		± 5	± 50		± 5	± 50	nA
				± 150			± 150	
Input Common-Mode Voltage Range (2)	$0^\circ C \leq T_A \leq 70^\circ C$		0	$V^+ - 1.5$		0	$V^+ - 1.5$	V
			0	$V^+ - 2$		0	$V^+ - 2$	
Supply Current	$R_L = \infty$		0.4	1		0.4	1	mA
Supply Current	$V_{CC} = 30V$, $R_L = \infty$			2.5			2.5	mA
Voltage Gain	$R_L \geq 15k\Omega$, $V^+ = 15V$	93	106		93	106		dB
Large Signal Response Time	$V_{IN} =$ TTL logic swing, $V_{REF} = +1.4V$; $R_L = 5.1k\Omega$ $V_{RL} = 5V$		300			300		ns
Response Time (3)	$V_{RL} = 5V$; $R_L = 5.1k\Omega$		1.3			1.3		μs
Output Sink Current	$V_{IN(-)} \geq 1V$; $V_{IN(+)} = 0V$; $V_o \leq 1.5V$	6	16		6	16		mA
Output Saturation	$V_{IN(-)} \geq 1V$ $V_{IN(+)} = 0V$ $I_{sink} \leq 4mA$ $0^\circ C \leq T_A \leq 70^\circ C$		150	400		150	400	mV
				700			700	
Output Leakage	$V_{IN(+)} \geq 1V$ $V_{IN(-)} = 0V$ $0^\circ C \leq T_A \leq 70^\circ C$		0.1			0.1		nA
				1000			1000	
Differential Input Voltage	All $V_{IN} \geq 0V$ (or V^- if split supply is used) $0^\circ C \leq T_A \leq 70^\circ C$			V^+			V^+	V

Notes: (1) The direction of the current is out of the IC due to the PNP input stage. This current is essentially constant, independent of the state of the output, so no loading change exists on the reference or input lines

(2) If either input of any comparators goes more negative than 0.3V below ground, a parasitic transistor turns on causing high input current and possible faulty outputs. This condition is not destructive providing the input current is limited to less than 50mA

(3) The response time specified is for a 100mV input step with 5mV overdrive. For larger overdrive signals 300 nsec can be obtained

Typical Performance Curves

Figure 1— Supply Current

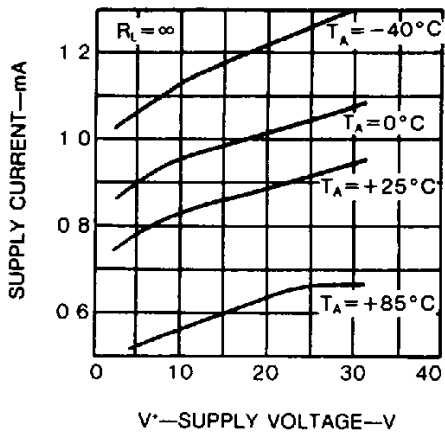


Figure 2— Input Current

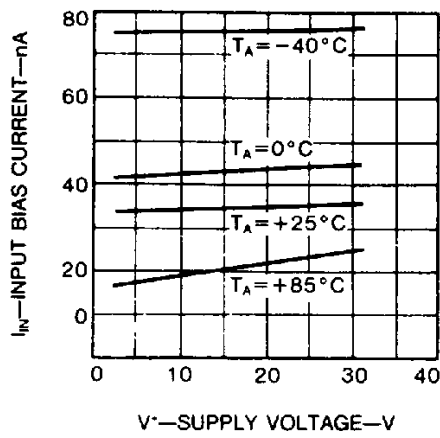


Figure 3— Output Saturation Voltage

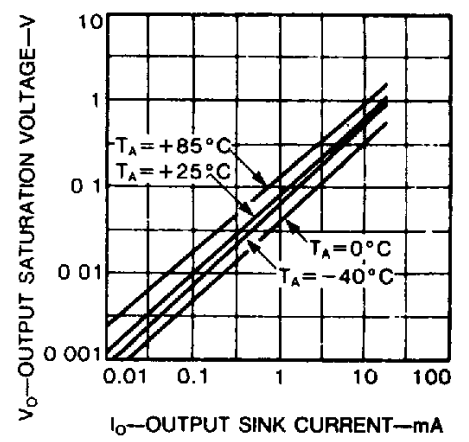


Figure 4— Response Time for Various Input Overdrives Negative Transition

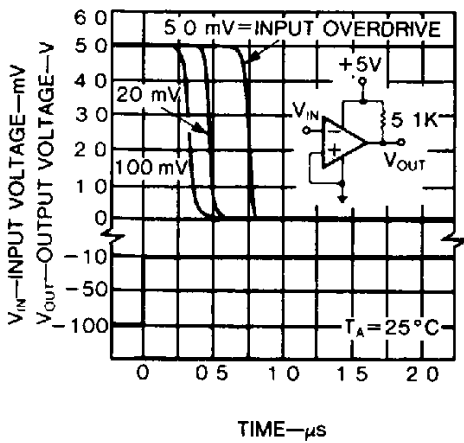
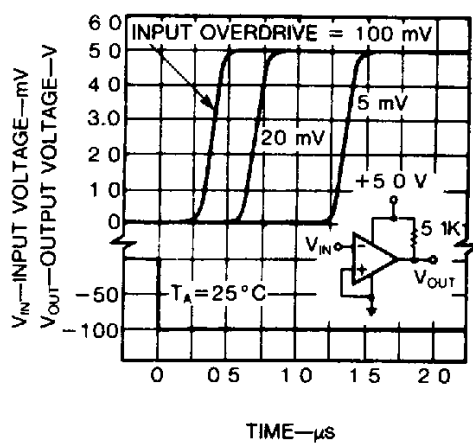


Figure 5— Response Time for Various Input Overdrives Positive Transition

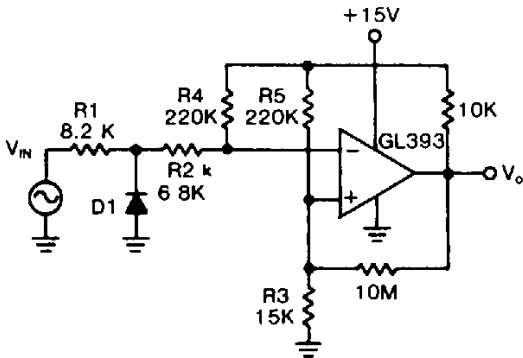


Applications

These dual comparators feature high gain, wide band width characteristics. This gives the device oscillation tendencies if the outputs are capacitively coupled to the inputs via stray capacitance. This oscillation manifests itself during output transitions (V_{OL} to V_{OH}). To alleviate this situa-

tion input resistors $< 10k\Omega$ should be used. The addition of positive feedback ($< 10mV$) is also recommended. It is good design practice to ground all unused pins. Differential input voltages may be larger than supply voltage without damaging the comparator's input voltages. More negative than $-0.3V$ should not be used

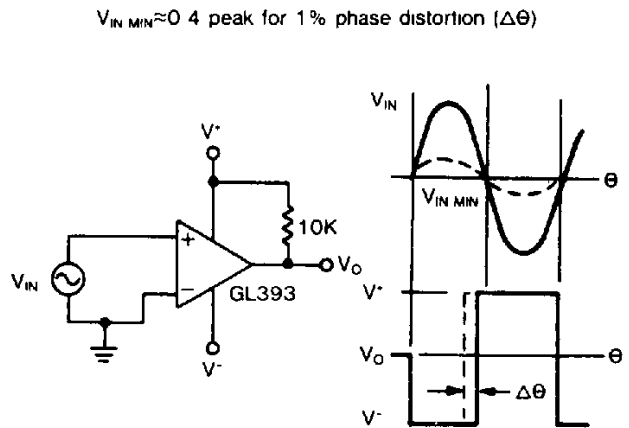
Figure 6-Zero Crossing Detector (Single Supply)



D1 prevents input from going negative by more than 0.6V
 $R1 + R = R3$

$$R3 \leq \frac{R5}{10} \text{ for small error in zero crossing}$$

Figure 7-Zero Crossing Detector (Split Supplies)



$V_{IN MIN} \approx 0.4$ peak for 1% phase distortion ($\Delta\theta$)

Figure 8-Free-Running Square-Wave Oscillator

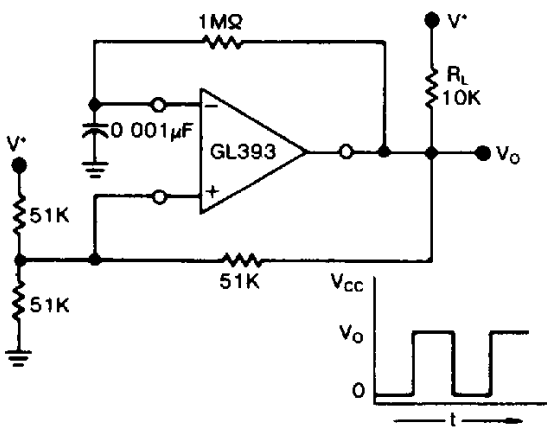
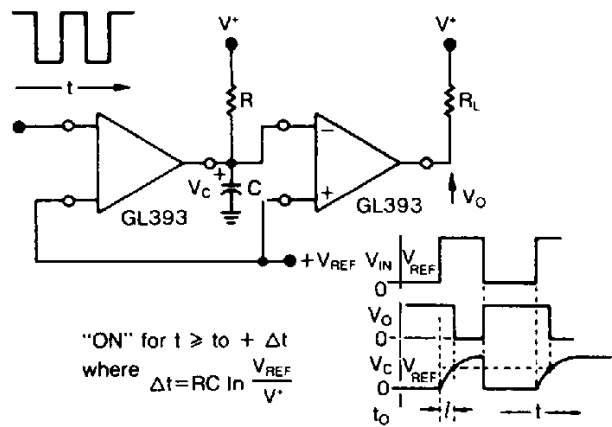
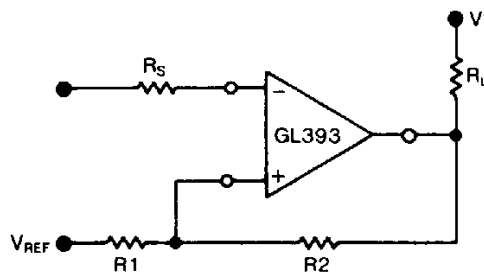


Figure 9-Time Delay Generator



"ON" for $t \geq t_0 + \Delta t$
 where $\Delta t = RC \ln \frac{V_{REF}}{V'}$

Figure 10-Comparator With Hysteresis



$$R_S = R1 \parallel R2$$

$$V_{th1} = V_{REF} + \frac{(V_{CC} - V_{REF}) R1}{R1 + R2 + R_L}$$

$$V_{th2} = V_{REF} + \frac{(V_{REF} - V_{O LOW}) R1}{R1 + R2 + R_L}$$