



Genesys Logic, Inc.

GL3522-22

USB 3.0 Hub Controller

Datasheet

Revision 1.03
Sep. 24, 2014



Copyright

Copyright © 2014 Genesys Logic, Inc. All rights reserved. No part of the materials shall be reproduced in any form or by any means without prior written consent of Genesys Logic, Inc.

Ownership and Title

Genesys Logic, Inc. owns and retains of its right, title and interest in and to all materials provided herein. Genesys Logic, Inc. reserves all rights, including, but not limited to, all patent rights, trademarks, copyrights and any other propriety rights. No license is granted hereunder.

Disclaimer

All Materials are provided “as is”. Genesys Logic, Inc. makes no warranties, express, implied or otherwise, regarding their accuracy, merchantability, fitness for any particular purpose, and non-infringement of intellectual property. In no event shall Genesys Logic, Inc. be liable for any damages, including, without limitation, any direct, indirect, consequential, or incidental damages. The materials may contain errors or omissions. Genesys Logic, Inc. may make changes to the materials or to the products described herein at anytime without notice.

Genesys Logic, Inc.

12F., No. 205, Sec. 3, Beixin Rd., Xindian Dist. 231,
New Taipei City, Taiwan
Tel : (886-2) 8913-1888
Fax : (886-2) 6629-6168
<http://www.genesyslogic.com>

Revision History

Revision	Date	Description
1.00	01/15/2014	Formal release
1.01	02/27/2014	Added LGA 76 Package Information.
1.02	06/04/2014	Updated CH2 Features, p.8, 9 Added CH5.8 ACA-Dock, p.24
1.03	09/24/2014	Updated CH3.2 Pin Descriptions, p.12

Table of Contents

CHAPTER 1	GENERAL DESCRIPTION	7
CHAPTER 2	FEATURES	8
CHAPTER 3	PIN ASSIGNMENT	10
	3.1 Pinout	10
	3.2 Pin Descriptions	12
CHAPTER 4	FUNCTION DESCRIPTION	15
	4.1 Block Diagram	15
	4.2 General Description	16
	4.2.1 USB 2.0 USPORT Transceiver	16
	4.2.2 USB 3.0 USPORT Transceiver	16
	4.2.3 PLL (Phase Lock Loop)	16
	4.2.4 Regulator	16
	4.2.5 SPI Engine	16
	4.2.6 RAM/ROM/CPU	16
	4.2.7 UTMI (USB 2.0 Transceiver Microcell Interface)	16
	4.2.8 SIE (Serial Interface Engine)	16
	4.2.9 Control/Status Register	16
	4.2.10 Power Management Engine	16
	4.2.11 Router/Aggregator Engine	17
	4.2.12 REPEATER	17
	4.2.13 TT	17
	4.2.14 CDP Control Logic	18
	4.2.15 USB 3.0/USB 2.0 DSPORT Transceiver	18
	4.3 Configuration and I/O Settings	19
	4.3.1 RESET Setting	19
	4.3.2 PGANG Setting	20
	4.3.3 SELF/BUS Power Setting	21
	4.3.4 LED Connections	21
	4.3.5 Power Switch Enable Polarity	21
	4.3.6 Port Number Configuration	22

4.3.7 Non-removable Port Configuration	22
CHAPTER 5 BATTERY CHARGING SPECIFICATION REV.1.2 SUPPORT.....	23
5.1 Background	23
5.2 Standard Downstream Port (SDP).....	23
5.3 Charging Downstream Port (CDP).....	23
5.4 Dedicated Charging Port (DCP)	24
5.5 ACA-Dock	24
5.6 Apple and Samsung Devices	24
5.7 Port Numbers of Charging Downstream Port Configuration.....	24
CHAPTER 6 ELECTRICAL CHARACTERISTICS	25
6.1 Maximum Ratings	25
6.2 Operating Ranges	25
6.3 DC Characteristics	26
6.3.1 DC Characteristics except USB Signals.....	26
6.3.2 USB 2.0 Interface DC Characteristics	26
6.3.3 USB 3.0 Interface DC Characteristics	26
6.4 Power Consumption	27
6.5 On-Chip Power Regulator	28
6.6 External Clock	29
CHAPTER 7 PACKAGE DIMENSION.....	30
CHAPTER 8 ORDERING INFORMATION.....	32

List of Figures

Figure 3.1 - GL3522-22 QFN 76 Pin Pinout Diagram	10
Figure 3.2 - GL3522-22 LGA 76 Pin Pinout Diagram	11
Figure 4.1 - Block Diagram	15
Figure 4.2 - Operating in USB 1.1 Schemes	17
Figure 4.3 - Operating in USB 2.0 Schemes	18
Figure 4.4 - Power on Reset Diagram.....	19
Figure 4.5 - Power on Sequence of GL3522-22.....	19
Figure 4.6 - Timing of PGANG Strapping	20
Figure 4.7 - GANG Mode Setting	20
Figure 4.8 - SELF/BUS Power Setting	21
Figure 4.9 - LED Connection	21
Figure 6.1 - Vin(V5) vs Vout(V33)*	28
Figure 6.2 - Vin(V5) vs Vout(V1.2)	29
Figure 7.1 - GL3522-22 76 Pin QFN Package.....	30
Figure 7.2 - GL3522-22 76 Pin LGA Package	31

List of Tables

Table 4.1 - Configuration by Power Switch Type	21
Table 6.1 - Maximum Ratings	25
Table 6.2 - Operating Ranges.....	25
Table 6.3 - DC Characteristics except USB Signals	26
Table 8.1 - Ordering Information	32

CHAPTER 1 GENERAL DESCRIPTION

Genesys GL3522-22 is a 4-port, low-power, and configurable hub controller. It is compliant with the USB3.0 specification. GL3522-22 integrates Genesys Logic self-developed USB 3.0 Super Speed transmitter/receiver physical layer (PHY) and USB 2.0 High-Speed PHY. It supports Super Speed, Hi-Speed, and Full-Speed USB connections and is fully backward compatible to all USB 2.0 and USB 1.1 hosts. GL3522-22 also implements multiple TT* (Note1) architecture providing dedicated TT* to each downstream (DS) port, which guarantees Full-Speed(FS) data passing bandwidth when multiple FS devices perform heavy loading operations. Furthermore, GL3522-22 has built-in 5V to 3.3V and 5V to 1.2V regulators, which saves customers' BOM cost, and eases for PCB design.

GL3522-22 features the native fast-charging and complies with USB-IF battery charging specification rev1.2, it could fast-charge Apple, Samsung Galaxy devices, and any device complaint with BC1.2/1.1. It also allows portable devices to draw up to 1.5A from GL3522-22 charging downstream ports (CDP¹) or dedicated charging port (DCP²). It can enable systems to fast charge handheld devices even during "Sleep" and "Power-off" modes.

Available package: QFN 76 (9x9 mm), LGA 76 (9x9 mm)

Package Type	# of DS Ports	Power Mgmt.	LED Support	Firmware Upgrade
QFN 76	4	Individual	Green/Amber	SPI Flash / EEPROM
LGA 76	4	Individual	Green/Amber	SPI Flash / EEPROM

GL3522-22 Package – Feature Summary

*Note: TT (transaction translator) implements the control logic defined in Section 11.14 ~ 11.22 of USB specification revision 2.0. TT basically handles the unbalanced traffic speed between the USPORT (operating in HS) and DSPORTS (operating in FS/LS) of hub.

¹ CDP, charging downstream port, the Battery Charging Rev.1.2-compliant USB port that does data communication and charges device up to 1.5A.

² DCP, dedicated charging port, the Battery Charging Rev.1.2-compliant USB port that only charges devices up to 1.5A, similar to wall chargers.

CHAPTER 2 FEATURES

- Compliant with USB Specification Revision 3.0
 - Upstream port supports super speed(SS) high speed(HS) and full speed(FS) traffic
 - Downstream ports support SS, HS, FS, and low speed(LS) traffic
 - 1 control pipe and 1 interrupt pipe
 - Backward compatible to USB specification Revision 2.0/1.1
- Featuring fast-charging on all downstream ports and upstream port
 - Compliant with USB Battery Charging Revision v1.2, supporting CDP, DCP, and ACA-Dock
 - Downstream ports can be turned from a Standard Downstream Port (SDP) into Charging Downstream Port (CDP) or Dedicated Charging Port (DCP)
 - Downstream devices can be charged while upstream VBUS is not present, which can be applied on wall charger applications
 - Upstream port is capable of charging and data communicating simultaneously for portable devices supporting ACA-Dock or proprietary charging protocols, such as Sony Z1 and ZL
 - Supporting Apple 2.4A and Samsung Galaxy devices fast-charging
- On-chip 8-bit micro-processor
 - RISC-like architecture
 - USB optimized instruction set
 - 1 cycle instruction execution (maximum)
 - Performance: 12 MIPS @ 12MHz (maximum)
 - With 256-byte RAM, 20K-byte internal ROM, and 20K-byte SRAM
- Multiple Transaction Translator(TT) architecture
 - Providing dedicated TT control logics for each downstream port
 - Superior performance when multiple FS devices operate concurrently
- Integrated USB transceiver
 - Improving output drivers with slew-rate control for EMI reduction
 - Internal power-fail detection for ESD recovery
- Advanced power management and low power consumption
 - Supporting USB3.0 U0/U1/U2/U3 power management states
 - Supporting USB Link Power Management (LPM) L0/L1/L2
 - Supporting individual/gang mode over-current detection for all downstream ports
 - Supporting both low/high-enabled power switches
 - Patented Smart Power Management
- Configurable settings by SPI-flash/EEPROM/pin strapping
 - Configurable charging port
 - Configurable 4/3/2 downstream ports
 - Configurable Poly-fuse/Power-switch
 - Supporting full in-system programming firmware upgrade by SPI-flash and EEPROM
 - Supporting compound-device (non-removable setting on downstream ports)
 - Supporting customization VID/PID
- Flexible design
 - Automatic switching between self-powered and bus-powered modes
 - Supporting PHY tuning
 - Supporting register setting by firmware
 - Supporting vendor command and SMBUS
 - Allow downstream ports to connect up to 8 devices, 4 x USB3.0 non-removable devices with 4 x USB2.0 non-removable devices or exposed ports

- Low BOM cost
 - Single external 25 MHz crystal / Oscillator clock input
 - Built-in upstream port 1.5K Ω pull-up and downstream port 15K Ω pull-down resistors
 - Built-in 5 to 3.3V and 5 to 1.2V regulator
- Available package type
 - QFN 76 (9x9mm)
 - LGA 76 (9x9mm)
- Applications
 - Standalone USB hub/Docking station
 - Tablet/Ultrabook/NB
 - Motherboard
 - Monitor built-in hub, GL3522-22 GPIOs can be programmed as I2C interface to easily update scalar firmware through USB interface
 - TV built-in hub
 - Compound device, such as hub-reader application
 - USB wall charger
 - Other consumer electronics
 - Customized applications
 - Dynamically disable/enable ports
 - GPIO signaling of ambient light sensor or rotation/position sensor

CHAPTER 3 PIN ASSIGNMENT

3.1 Pinout

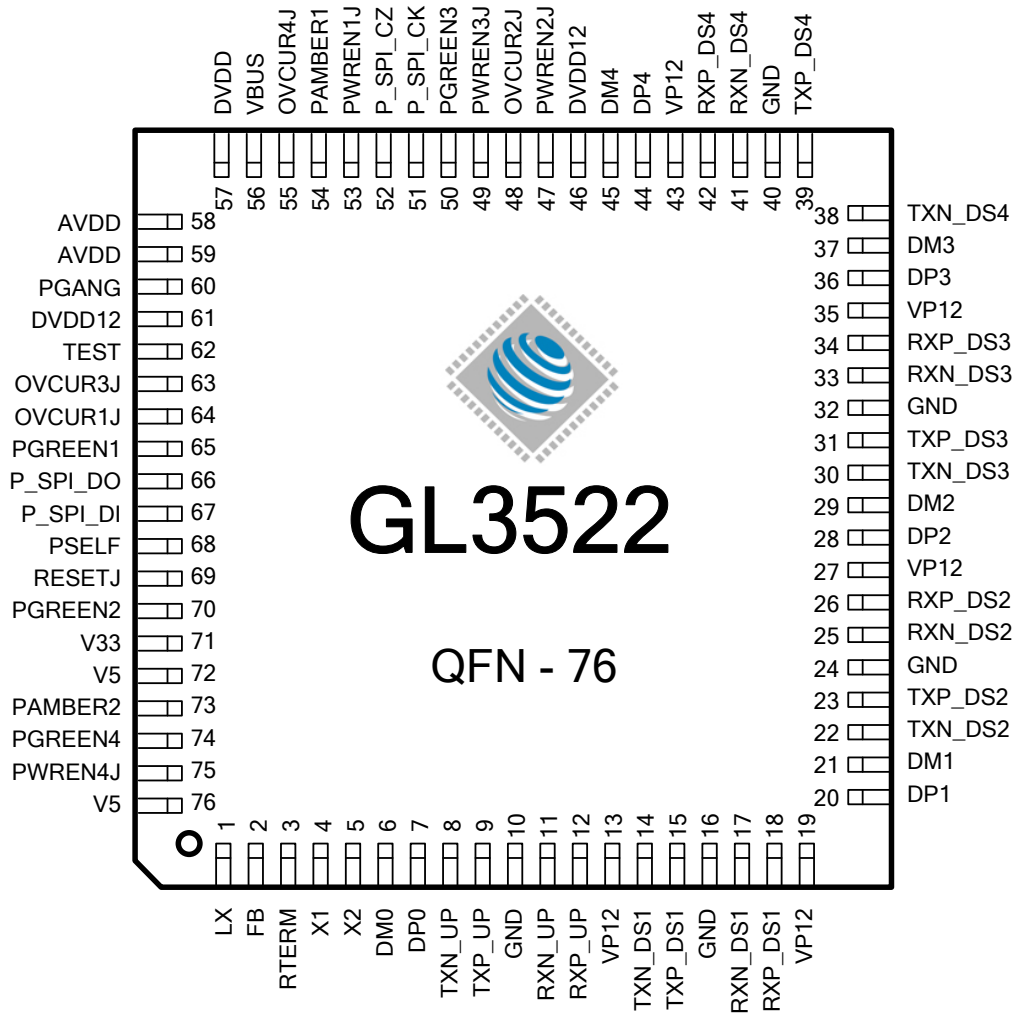


Figure 3.1 - GL3522-22 QFN 76 Pin Pinout Diagram

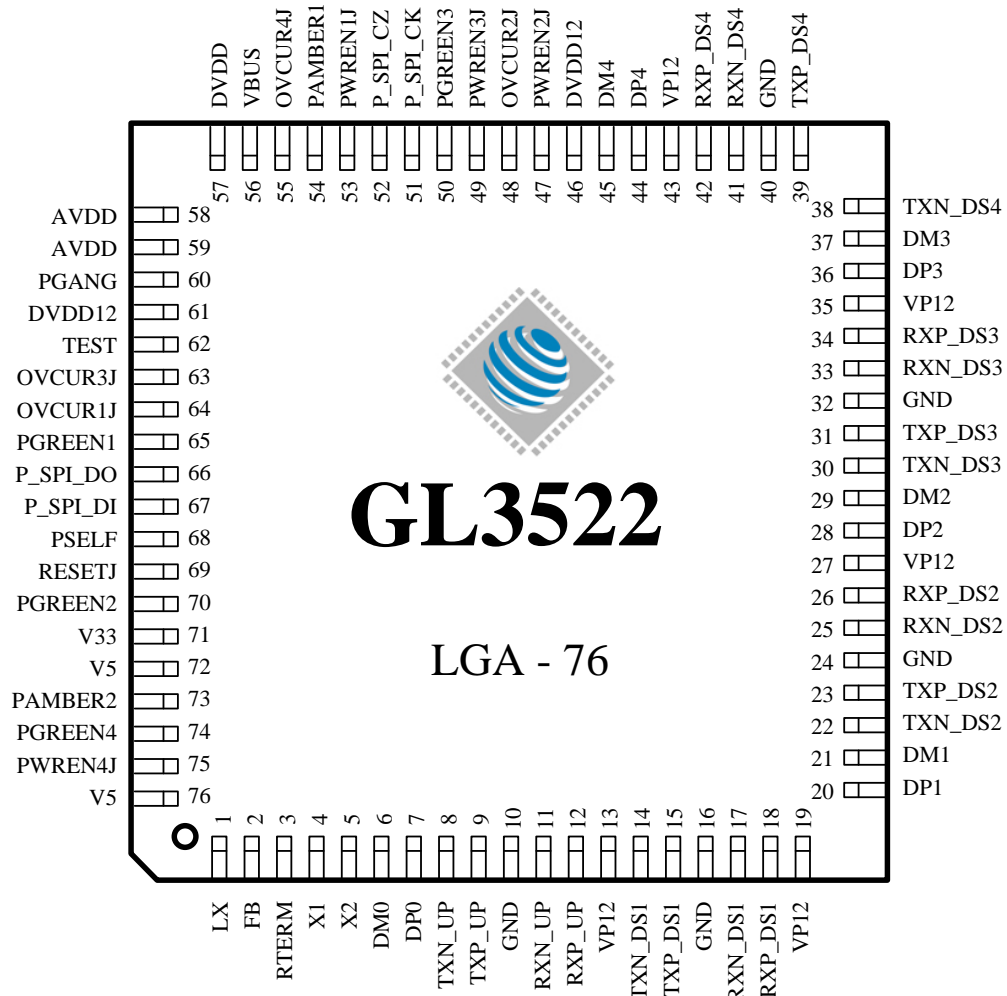


Figure 3.2 - GL3522-22 LGA 76 Pin Pinout Diagram

3.2 Pin Descriptions

USB Interface			
Pin Name	QFN 76 / LGA 76	Type	Description
TXN_UP TXP_UP	8 9	O	USB 3.0 Differential Data Transmitter TX-/TX+ of USPORT
RXN_UP RXP_UP	11 12	I	USB 3.0 Differential Data Receiver RX-/RX+ of USPORT
TXN_DS1 TXP_DS1	14 15	O	USB 3.0 Differential Data Transmitter TX-/TX+ of DSPORT1
RXN_DS1 RXP_DS1	17 18	I	USB 3.0 Differential Data Receiver RX-/RX+ of DSPORT1
TXN_DS2 TXP_DS2	22 23	O	USB 3.0 Differential Data Transmitter TX-/TX+ of DSPORT2
RXN_DS2 RXP_DS2	25 26	I	USB 3.0 Differential Data Receiver RX-/RX+ of DSPORT2
TXN_DS3 TXP_DS3	30 31	O	USB 3.0 Differential Data Transmitter TX-/TX+ of DSPORT3
RXN_DS3 RXP_DS3	33 34	I	USB 3.0 Differential Data Receiver RX-/RX+ of DSPORT3
TXN_DS4 TXP_DS4	38 39	O	USB 3.0 Differential Data Transmitter TX-/TX+ of DSPORT4
RXN_DS4 RXP_DS4	41 42	I	USB 3.0 Differential Data Receiver RX-/RX+ of DSPORT4
DM0,DP0	6,7	B	USB 2.0 DM/DP for USPORT
DM1, DP1	21,20	B	USB 2.0 DM/DP for DSPORT1
DM2, DP2	29,28	B	USB 2.0 DM/DP for DSPORT2
DM3, DP3	37,36	B	USB 2.0 DM/DP for DSPORT3
DM4, DP4	45,44	B	USB 2.0 DM/DP for DSPORT4

Hub Interface			
Pin Name	QFN 76 / LGA 76	Type	Description
PGREEN1~4	65,70,50,74	B (pd)	Green LED indicator for DSPORT1~4
PAMBER1~2	54,73	B (pd)	Amber LED indicator for DSPORT1~2
PWREN1~4J	53,47,49,75	B	Active low. Power enable output for DSPORT1~4 PWREN1# is the only power-enable output for GANG mode.
OVCUR1~4J	64,48,63,55	I (pd)	Active low. Over current indicator for DSPORT1~4 OVCUR1# is the only over current flag for GANG mode.
PGANG	60	I	Default put in input mode after power-on reset. Individual/gang mode is strapped during this period.
PSELF	68	I	0: GL3522-22 is bus-powered. 1: GL3522-22 is self-powered.

Clock and Reset Interface			
Pin Name	QFN 76 / LGA 76	Type	Description
X1	4	I	Crystal / OSC clock input
X2	5	O	Crystal clock output.
RESETJ	69	I (pd)	Active low. External reset input, default pull high 10KΩ. When RESET# = low, whole chip is reset to the initial state.

SPI Interface			
Pin Name	QFN 76 / LGA 76	Type	Description
P_SPI_CK	51	B	For SPI data clock
P_SPI_CZ	52	B	For SPI data chip enable
P_SPI_DO	66	B	For SPI data Input
P_SPI_DI	67	B	For SPI data Output

Power/Ground Interface			
Pin Name	QFN 76 / LGA 76	Type	Description
VP12	13,19,27, 35,43	P	Analog 1.2V power input for Analog circuit
DVDD12	46,61	P	1.2V digital power input for digital circuits
DVDD	57	P	3.3V digital power input for digital circuits
AVDD	58,59	P	Analog 3.3V power input
GND	10,16,24, 32,40	P	Digital/Analog ground
VBUS	56	I	VBUS valid input
V33	71	P	5V-to-3.3V regulator Vout & 3.3 input
V5	72,76	P	5V Power input. It should be NC if using external regulator

Miscellaneous Interface			
Pin Name	QFN 76 / LGA 76	Type	Description
RTERM	3	A	A 680ohm resister must be connected between RTERM and Ground
TEST	62	B (pd)	TEST: 0: Normal operation. 1: Chip will be put in test mode.

GL3522-22 Unspecified			
Pin Name	QFN 76 / LGA 76	Type	Description
FB	2	A	Switcher Feedback Voltage. This pin is the inverting input of the error amplifier. VOUT senses the switcher output through an external resistor divider network. For the fixed voltage version, connect this pin to the output voltage.
LX	1	A	Internal Switches Output. Connect this pin to the output inductor.

Note: Analog circuits are quite sensitive to power and ground noise. PCB layout must take care the power routing and the ground plane. For detailed information, please refer to **USB 3.0 Hub Design Guide**.

Notation:

Type	O	Output
	I	Input
	B	Bi-directional
	P	Power / Ground
	A	Analog
	pu	Internal pull up
	pd	Internal pull down

CHAPTER 4 FUNCTION DESCRIPTION

4.1 Block Diagram

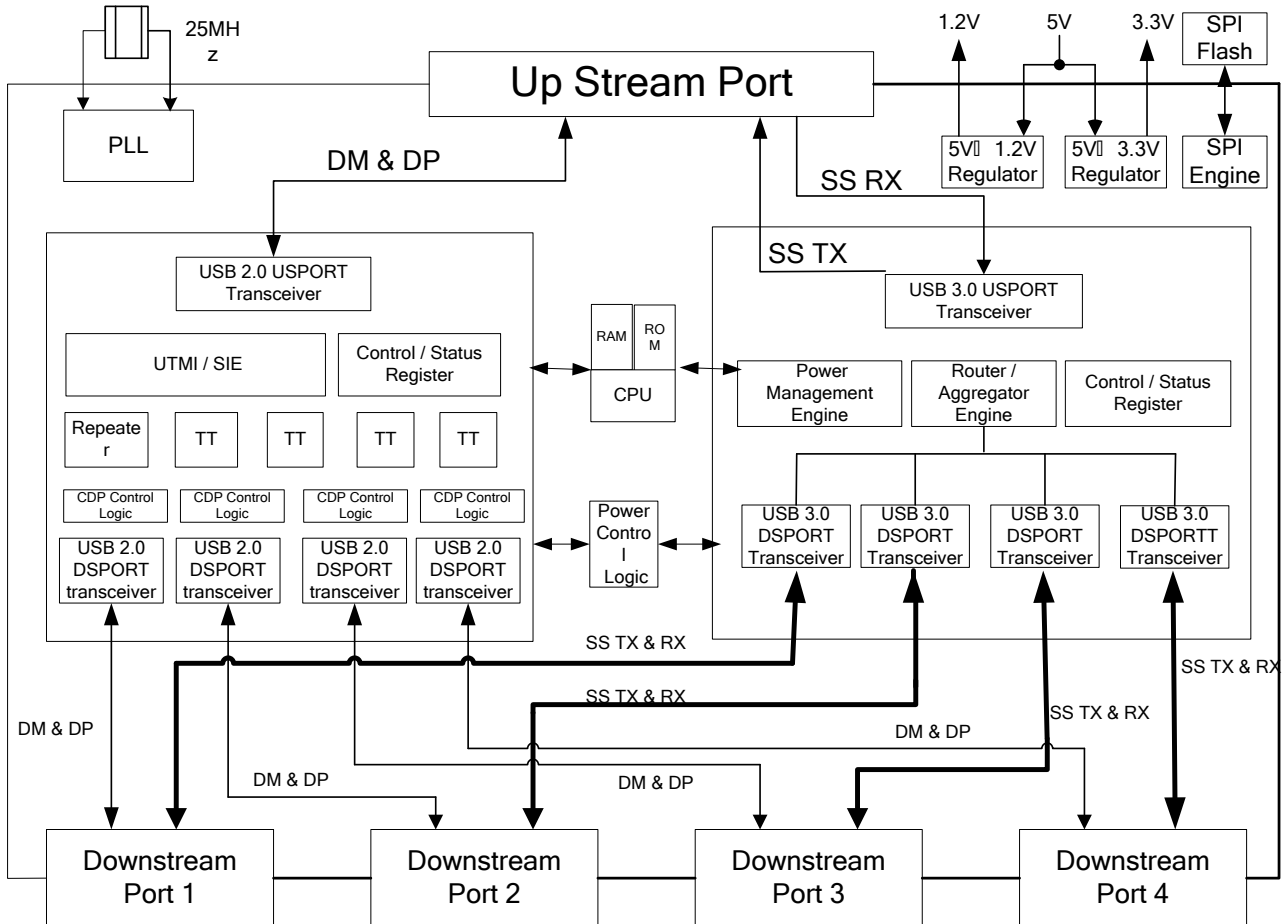


Figure 4.1 - Block Diagram

4.2 General Description

4.2.1 USB 2.0 USPORT Transceiver

USB 2.0 USPORT (upstream port) transceiver is the analog circuit that supports both full-speed and high-speed electrical characteristics defined in Chapter 7 of USB specification revision 2.0. USPORT transceiver will operate in full-speed electrical signaling when GL3522-22 is plugged into a 1.1 host/hub. USPORT transceiver will operate in high-speed electrical signaling when GL3522-22 is plugged into a 2.0 host/hub.

4.2.2 USB 3.0 USPORT Transceiver

USB 3.0 USPORT (upstream port) transceiver is the analog circuit that has elastic buffer and supports receiver detection, data serialization and de-serialization. Besides, it has PIPE interface with SuperSpeed Link Layer

4.2.3 PLL (Phase Lock Loop)

PLL generates the clock sources for the whole chip. The generated clocks are proven quite accurate that help in generating high speed signal without jitter.

4.2.4 Regulator

GL3522-22 build in internal regulators convert 5V input to 3.3V/1.2V output.

4.2.5 SPI Engine

SPI engine is to move code from external flash to the internal RAM.

4.2.6 RAM/ROM/CPU

The micro-processor unit of GL3522-22 is an 8-bit RISC processor with 16K-byte ROM and 256-bytes RAM. It operates at 12MIPS of 12 MHz clock(maximum) to decode the USB command issued from host and then prepares the data to respond to the host.

4.2.7 UTMI (USB 2.0 Transceiver Microcell Interface)

UTMI handles the low level USB protocol and signaling. It's designed based on the Intel's UTMI specification 1.01. The major functions of UTMI logic are to handle the data and clock recovery, NRZI encoding/decoding, Bit stuffing /de-stuffing, supporting USB 2.0 test modes, and serial/parallel conversion.

4.2.8 SIE (Serial Interface Engine)

SIE handles the USB protocol defined in Chapter 8 of USB specification revision 2.0. It co-works with μ C to play the role of the hub kernel. The main functions of SIE include the state machine of USB protocol flow, CRC check, PID error check, and timeout check. Unlike USB 1.1, bit stuffing/de-stuffing is implemented in UTMI, not in SIE.

4.2.9 Control/Status Register

Control/Status register is the interface register between hardware and firmware. This register contains the information necessary to control endpoint0 and endpoint1 pipelines. Through the firmware based architecture, GL3522-22 possesses higher flexibility to control the USB protocol easily and correctly.

4.2.10 Power Management Engine

The power management of GL3522-22 is compliant with USB 3.0 specification. When operating in SuperSpeed mode, GL3522-22 supports U0, U1, U2, and U3 power states. U0 is the functional state. U1 and U2 are lower power states compared to U0. U1 is a low power state with fast exit to U0; U2 is a low power state which saves more power than U1 with slower exit to U0. U3 is suspend state, which is the most power-saving state, with tens of milliseconds exit to U0. Unlike USB 2.0, SuperSpeed packet traffic is

unicast rather than broadcast. Packet only travels the direct path in-between host and the target device. SuperSpeed traffic will not reach an unrelated device. When enabled for U1/U2 entry, and there is no pending traffic within comparable exit latency, GL3522-22 will initiate U1/U2 entry to save the power. On the other hand, the link partner of GL3522-22 may also initiate U1/U2 entry. In this case, GL3522-22 will accept or reject low power state entry according to its internal condition.

4.2.11 Router/Aggregator Engine

Router/Aggregator Engine implements the control logic defined in Chapter10 of USB3.0 specification. Router/Aggregator Engine uses smart method for route packet to device or aggregate packet to host.

4.2.12 REPEATER

Repeater logic implements the control logic defined in Section 11.4 and Section 11.7 of USB specification revision 2.0. REPEATER controls the traffic flow when upstream port and downstream port are signaling in the same speed. In addition, REPEATER will generate internal resume signal whenever a wakeup event is issued under the situation that hub is globally suspended.

4.2.13 TT

TT (Transaction Translator) implements the control logic defined in Section 11.14 ~ 11.22 of USB specification revision 2.0. TT basically handles the unbalanced traffic speed between the USPORT (operating in HS) and DSPORTS (operating in FS/LS) of hub. GL3522-22 adopts multiple TT architecture to provide the most performance effective solution. Multiple TT provides control logics for each downstream port respectively.

4.2.13.1 Connected to 1.1 Host/Hub

If an USB 2.0 hub is connected to the downstream port of an USB 1.1 host/hub, it will operate in USB 1.1 mode. For an USB 1.1 hub, both upstream direction traffic and downstream direction traffic are passing through REPEATER. That is, the REPEATER/TT routing logic will route the traffic channel to the REPEATER.

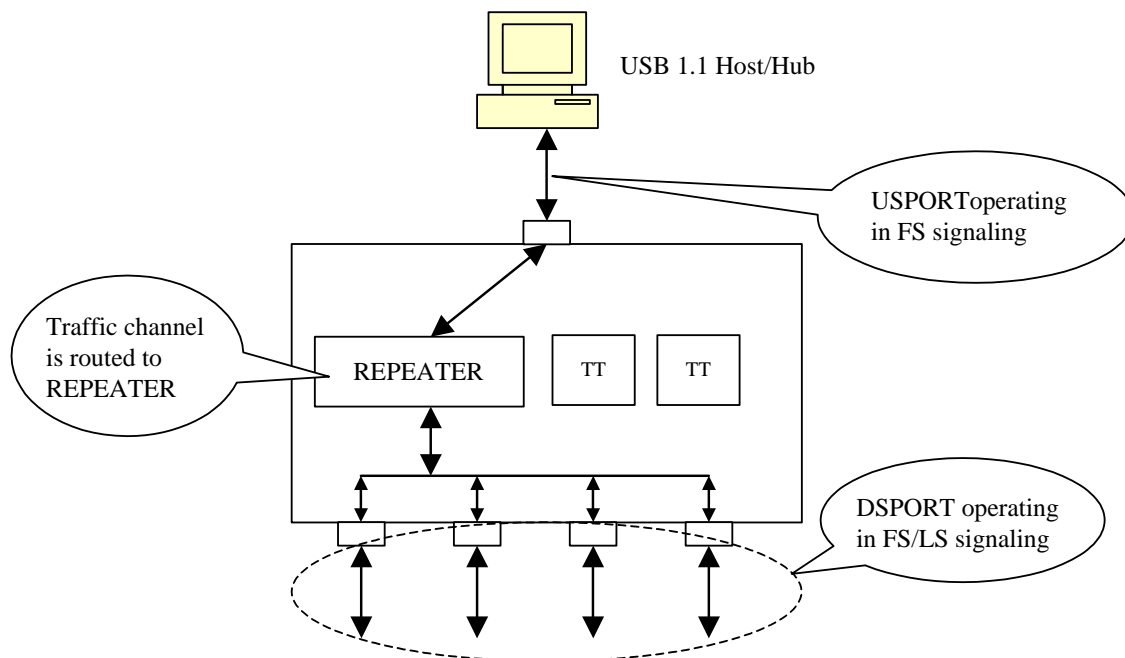


Figure 4.2 - Operating in USB 1.1 Schemes

4.2.13.2 Connected to USB 2.0 Host/Hub

If an USB 2.0 hub is connected to an USB 2.0 host/hub, it will operate in USB 2.0 mode. The upstream port signaling is in high speed with bandwidth of 480 Mbps under this environment. The traffic channel will then be routed to the REPEATER when the device connected to the downstream port is signaling also in high speed. On the other hand, the traffic channel will then be routed to TT when the device connected to the downstream port is signaling in full/low speed.

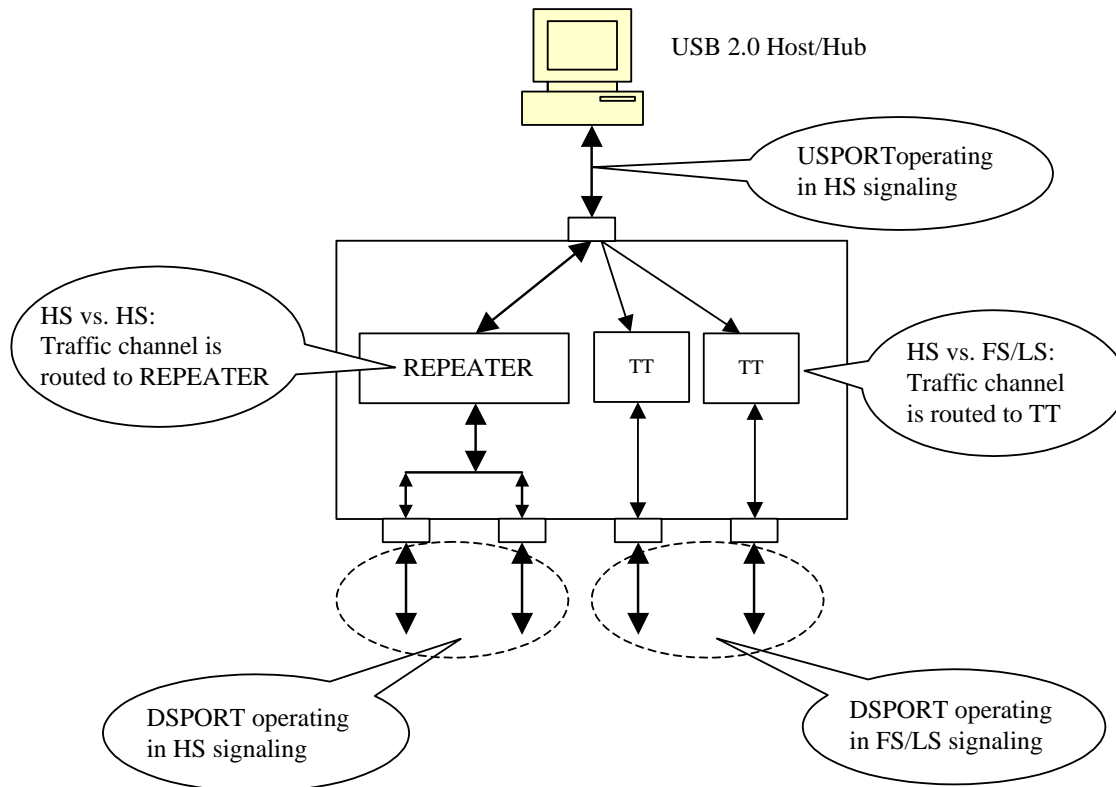


Figure 4.3 - Operating in USB 2.0 Schemes

4.2.14 CDP Control Logic

CDP (charging downstream port) control logic implements the logic defined in USB Battery charging specification revision 1.2. The major function of it is to control DSPORT Transceiver to make handshake with a portable device which is compliant with USB Battery charging spec rev1.2 as well. After recognizing charging detection each other, portable device will draw up to 1.5A from VBUS to fast charge its battery.

4.2.15 USB 3.0/USB 2.0 DSPORT Transceiver

DSPORT transceiver is the analog circuit that supports high-speed, full-speed, and low-speed electrical characteristics. In addition, each DSPORT transceiver accurately controls its own squelch level to detect the detachment and attachment of devices.

4.3 Configuration and I/O Settings

4.3.1 RESET Setting

GL3522-22's power on reset can either be triggered by external reset or internal power good reset circuit. The external reset pin, RESETJ, is connected to upstream port Vbus (5V) to sense the USB plug / unplug or 5V voltage drop. The reset trigger voltage can be set by adjusting the value of resistor R1 and R2 (Suggested value refers to schematics) GL3522-22's internal reset is designed to monitor silicon's internal core power (1.2V) and initiate reset when unstable power event occurs. The power on sequence will start after the power good voltage has been met, and the reset will be released after approximately 40 μ s after power good. GL3522-22's reset circuit as depicted in the picture.

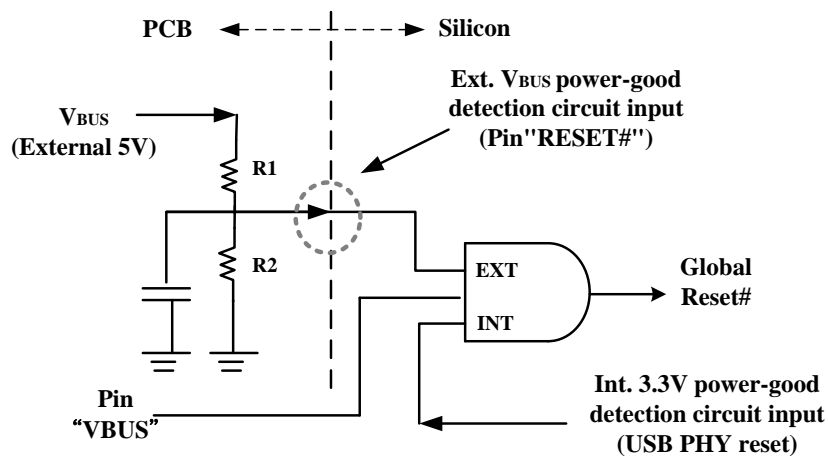


Figure 4.4 - Power on Reset Diagram

To fully control the reset process of GL3522-22, we suggest the reset time applied in the external reset circuit should longer than that of the internal reset circuit. Timing of POR is illustrated as below figure.

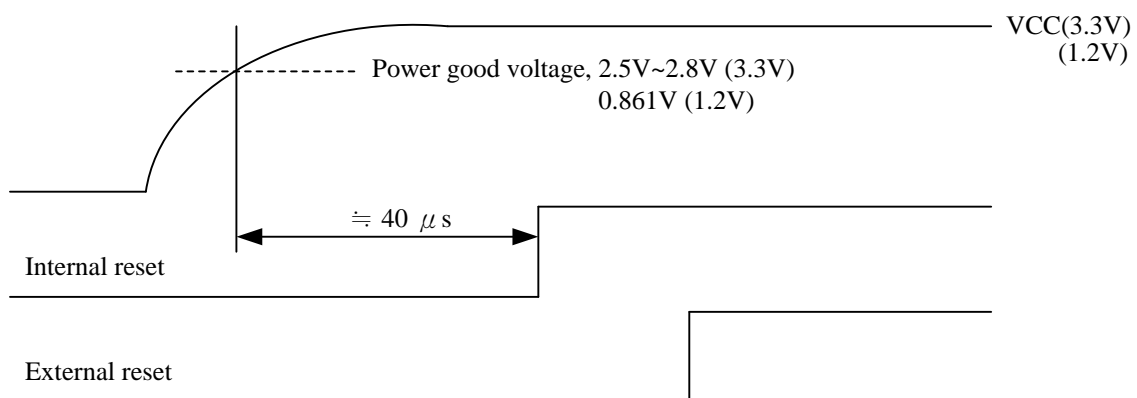


Figure 4.5 - Power on Sequence of GL3522-22

4.3.2 PGANG Setting

To save pin count, GL3522-22 uses the same pin to decide individual/gang mode as well as to output the suspend flag. The individual/gang mode is decided within 21us after power on reset. Then, about 50ms later, this pin is changed to output mode. GL3522-22 outputs the suspend flag once it is globally suspended. For individual mode, a pull low resistor greater than 100KΩ should be placed. For gang mode, a greater than 100KΩ pull high resistor should be placed. In figure 4.7, we also depict the suspend LED indicator schematics. It should be noticed that the polarity of LED must be followed, otherwise the suspend current will be over spec limitation (2.5mA).

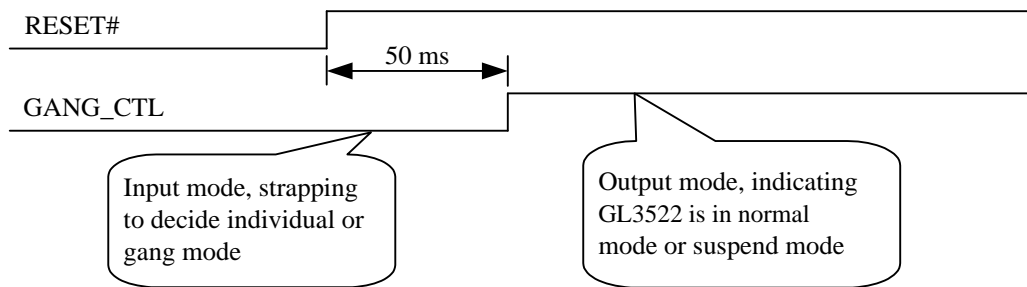


Figure 4.6 - Timing of PGANG Strapping

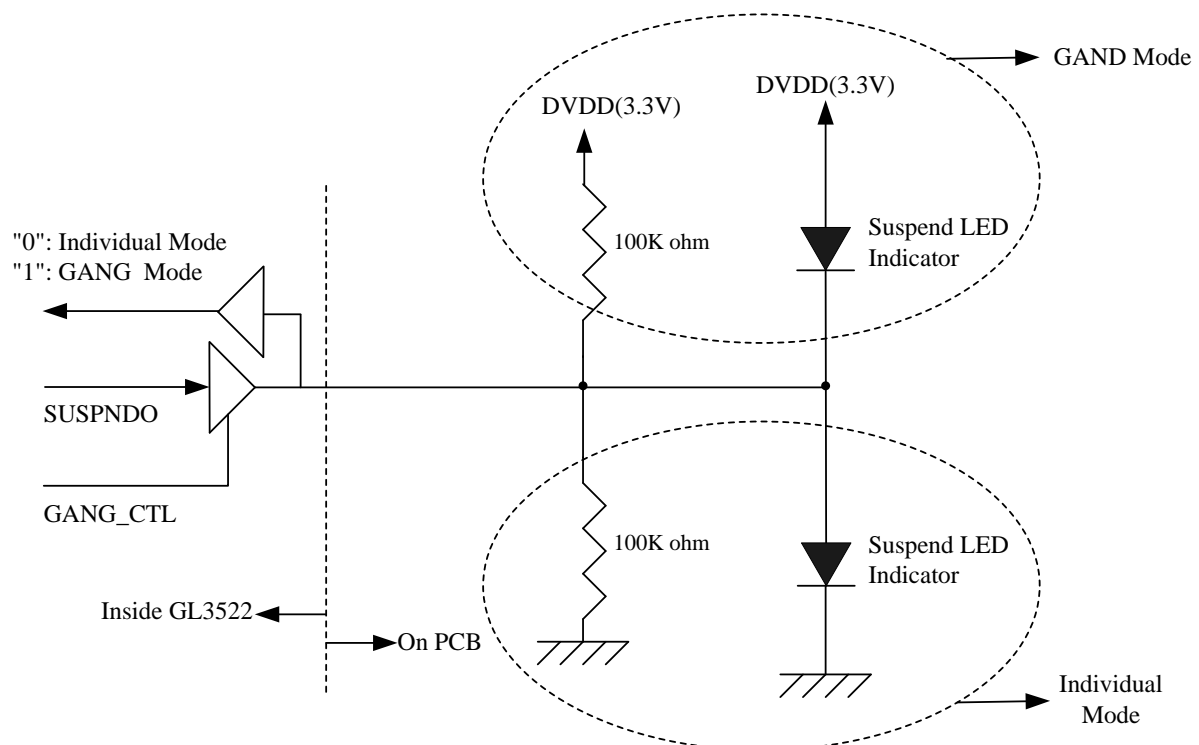


Figure 4.7 - GANG Mode Setting

4.3.3 SELF/BUS Power Setting

By setting PSELF, GL3522-22 can be configured as a bus-power or a self-power hub.

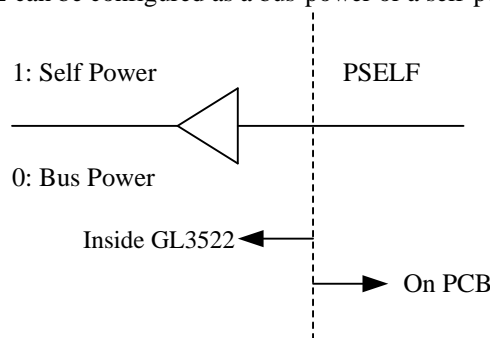


Figure 4.8 - SELF/BUS Power Setting

4.3.4 LED Connections

GL3522-22 controls the LED lighting according to the flow defined in Section 11.5.3 of Universal Serial Bus Specification Revision2.0. Both manual mode and Automatic mode are supported in GL3522-22. When GL3522-22 is globally suspended, GL3522-22 will turn off the LED to save power.

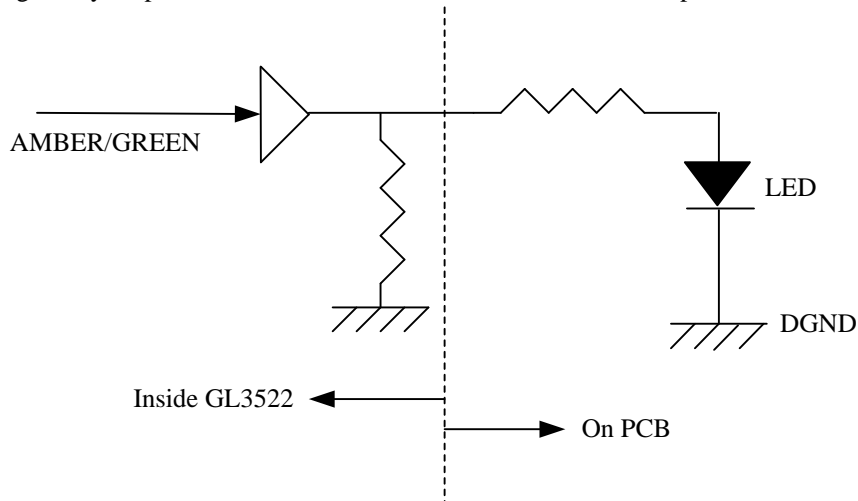


Figure 4.9 - LED Connection

4.3.5 Power Switch Enable Polarity

Both low/high-enabled power switches are supported. It is determined by jumper setting. The power switch polarity will be configured by the state of pin AMBER2, as the following table:

Table 4.1 - Configuration by Power Switch Type

AMBER2	Power Switch Enable Polarity
0	Low-active
1	High-active

Note: When AMBER2=1, the external resistor of PWREN1~4 need pull down

4.3.6 Port Number Configuration

Number of downstream port can be configured as 4/3/2 ports by firmware configuration, EEPROM, and pin strapping. Please refer to **Genesys USB 3.0 Hub FW ISP Tool User Guide** for the detailed setting information.

4.3.7 Non-removable Port Configuration

For compound applications or embedded systems, downstream ports that always connect inside the system can be set as non-removable by firmware configuration, EEPROM, and pin strapping. Please refer to **Genesys USB 3.0 Hub FW ISP Tool User Guide** for the detailed setting information.

CHAPTER 5 BATTERY CHARGING SPECIFICATION REV.1.2 SUPPORT

5.1 Background

The USB ports on personal computers are convenient places for portable devices to draw current for charging their batteries. This convenience has led to the creation of dedicated chargers that simply expose a USB standard-A receptacle. This allows portable devices to use the same USB cable to charge from either a PC or from a dedicated charger.

If a portable device is attached to a USB host or hub, then the USB 2.0 specification requires that after connecting, a portable device must draw less than:

- 2.5 mA average if the bus is suspended
- 100 mA maximum if bus is not suspended and not configured
- 500 mA maximum if bus is not suspended and configured for 500 mA

If a portable device is attached to a charging host or hub, it is allowed to draw a current up to 1.5A, regardless of suspend. In order for a portable device to determine how much current it is allowed to draw from an upstream USB port, the USB-IF Battery Charging specification defines the mechanisms that allow the portable device to distinguish between a USB standard host, hub or a USB charging host. Since portable devices can be attached to USB charging ports from various manufactures, it is important that all USB charging ports behave the same way. This specification also defines the requirements for a USB chargers and charging downstream ports.

5.2 Standard Downstream Port (SDP)

GL3522-22 complies with Battery Charging Specification rev1.2, which defines three charging ports: SDP, CDP and DCP. The SDP is a standard USB port which can transfer data and provide maximum 500mA current.

5.3 Charging Downstream Port (CDP)

GL3522-22 supports battery charging detection, turning its downstream port from a standard downstream port (SDP) into charging downstream port (CDP). GL3522-22 will make physical layer handshaking when a portable device that complies with BC rev1.2 attaches to its downstream port. After physical layer handshaking, a portable device is allowed to draw more current up to 1.5A.

Once the charging downstream port of GL3522-22 is enabled, it will monitor the V_{DP_SRC} on D+ line anytime. When a portable device, which is compliant with BC rev1.2, is attached to the downstream port, it will drive V_{DP_SRC} on D+ line to initiate the handshake with charging downstream port. GL3522-22 will response on its D- line by V_{DM_SRC} and keep in a certain period of time and voltage level. The portable device will accept this handshaking on its D- line in correct timing period and voltage level, and then turns off its V_{DP_SRC} on D+ line. GL3522-22 will recognize that charging negotiation is finished by counting time between the portable device turning on and off its V_{DP_SRC} . After that, the portable device can start to draw more current from VBUS to charge its battery more rapidly. It can draw current up to 1.5A.

If there is no response from D- line, the portable device will recognize that it is attached to a standard downstream port, not a charging port.

5.4 Dedicated Charging Port (DCP)

GL3522-22 also supports dedicated charging port, which is a downstream port on a device that outputs power through a USB connector, but it is not capable of enumerating a downstream device. With the adequate system circuit design, GL3522-22 will turn its downstream port from a standard downstream port (SDP) into dedicated charging port (DCP), i.e short the D+ line to the D- line, to let the portable device draws current up to 1.5A. Please refer to the **USB 3.0 Hub Design Guide** document for the detailed information.

5.5 ACA-Dock

An ACA-Dock is a docking station that has one upstream port, and zero or more downstream ports. The upstream port can be attached to a portable device (PD), and is capable of sourcing ICDP to the PD, which means that the upstream port can charge and have data communication with the PD at the same time. Please refer to Battery Charging Spec v1.2 for more details.

5.6 Apple and Samsung Devices

Except BC rev1.2-complied portable devices; GL3522-22 also supports the fast charging of Apple and Samsung devices.

- Apple: iPhone, iPad series.
- Samsung: Galaxy Tab series, Galaxy Mobile Phones series.

5.7 Port Numbers of Charging Downstream Port Configuration

Number of charging downstream port can be configured as 1/2/3/4 ports by firmware configuration. Please refer to the **Genesys USB 3.0 Hub FW ISP Tool User Guide** document for the detailed setting information.

CHAPTER 6 ELECTRICAL CHARACTERISTICS

6.1 Maximum Ratings

Table 6.1 - Maximum Ratings

Symbol	Parameter	Min.	Max.	Unit
V ₅	5V Power Supply	-0.5	+6.0	V
V _{DD}	3.3V Power Supply	-0.5	+3.6	V
VDDcore	1.2V Power Supply	-0.5	+1.32	V
V _{IN}	3.3V Input Voltage for digital I/O(EE_DO) pins*	-0.5	+5	V
V _{incore}	1.2V	-0.5	+1.32	V
V _{INUSB}	Input Voltage for USB signal (DP, DM) pins	-0.5	+3.6	V
T _S	Storage Temperature under bias	-60	+100	°C
F _{OSC}	Frequency	25 MHz ± 0.03%		

*Please refer to the reference design schematic.

6.2 Operating Ranges

Table 6.2 - Operating Ranges

Symbol	Parameter	Min.	Typ.	Max.	Unit
V ₅	5V Power Supply	4.75	5.0	5.25	V
V _{DD}	3.3V Power Supply	3.0	3.3	3.6	V
VDDcore	1.2V Power Supply	1.15	1.2	1.32	V
V _{IND}	Input Voltage for digital I/O pins	-0.5	3.3	3.6	V
V _{INUSB}	Input Voltage for USB signal (DP, DM) pins	0.5	3.3	3.6	V
T _A	Ambient Temperature	0	-	70	°C
T _J	Absolute maximum junction temperature	0	-	125	°C

6.3 DC Characteristics

6.3.1 DC Characteristics except USB Signals

Table 6.3 - DC Characteristics except USB Signals

Symbol	Parameter	Min.	Typ.	Max.	Unit
V _{DD}	Power Supply Voltage	3	3.3	3.6	V
V _{IL}	LOW level input voltage	-	-	1	V
V _{IH}	HIGH level input voltage	1.4	-	-	V
V _{TLH}	Schmitt trigger PAD*-LOW to HIGH threshold voltage	1.7	-	-	V
V _{THL}	Schmitt trigger PAD*- HIGH to LOW threshold voltage	-	-	0.7	V
V _{OL}	LOW level output voltage when I _{OL} =8mA	-	-	0.4	V
V _{OH}	HIGH level output voltage when I _{OH} =8mA	2.4	-	-	V
I _{OLK}	Leakage current for pads with internal pull up or pull down resistor	-	-	30	μA
R _{DN}	Pad internal pull down resistor	232	378	647	KΩ
R _{UP}	Pad internal pull up resistor	276	435	718	KΩ

* Schmitt trigger pads are VBUS, RESET

6.3.2 USB 2.0 Interface DC Characteristics

GL3522-22 conforms to DC characteristics for Universal Serial Bus specification rev. 2.0. Please refer to the specification for more information.

6.3.3 USB 3.0 Interface DC Characteristics

GL3522-22 conforms to DC characteristics for Universal Serial Bus specification rev.3.0. Please refer to the specification for more information.

6.4 Power Consumption

Number of Active USB 3.0 Ports	5V		1.2V		3.3V		Unit
	Config.	Read/Write	Config.	Read/Write	Config.	Read/Write	
Suspend	16		9		3		mW
1	207	455	38	264	85	85	mW
2	207	600	38	380	85	85	mW
3	207	753	38	491	85	85	mW
4	207	915	38	599	85	85	mW

Number of Active USB 2.0 Ports	5V		1.2V		3.3V		Unit
	Config.	Read/Write	Config.	Read/Write	Config.	Read/Write	
Suspend	16		9		3		mW
1	212	247	18	18	105	114	mW
2	243	311	18	18	125	170	mW
3	274	353	18	18	145	198	mW
4	304	385	18	18	166	219	mW

Note:

Test result represents silicon level operating current, without considering additional power consumption contributed by external over-current protection circuit such as power switch or polyfuse. The power consumption could be different depending on configurations.

6.5 On-Chip Power Regulator

GL3522-22 requires 3.3V and 1.2V source power for normal operation of internal core logic and USB physical layer (PHY). There are two kinds of regulators integrated in GL3522-22; one is low-drop power regulator converts 5V power input from USB cable (Vbus) to 3.3V voltage for silicon power source; another one is DC-DC switching regulator converts 5V to 1.2V. The 3.3V and 1.2V power output are guaranteed by internal voltage reference circuits to prevent unstable 5V power compromise USB data integrity. The regulators' maximum currents loading are 250mA (5-3.3V) and 1A (5-1.2V), which provide enough tolerance for normal GL3522-22 operation (below 100mA).

On-chip Power Regulator Features:

- 5V to 3.3V low-drop power regulator
- 250mA maximum output driving capability
- Provide stable 3.3V output when $V_{in} = 3.4V \sim 5.5V$
- 125uA maximum quiescent current (typical 80uA).

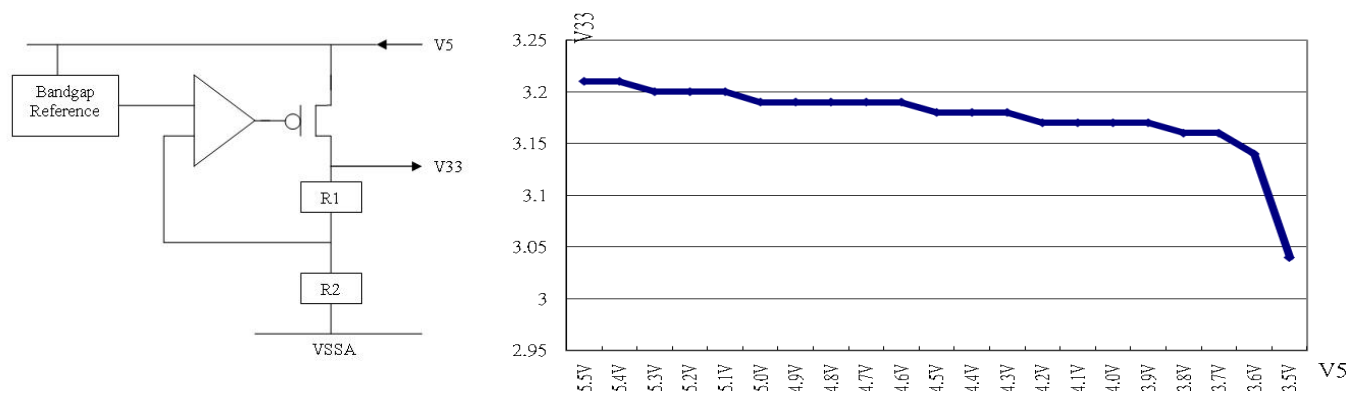


Figure 6.1 - $V_{in}(V5)$ vs $V_{out}(V33)$ *

*Note: Measured environment: Ambient temperature = 25°C / Current Loading = 250mA

DC-DC Switching Regulator Features:

- 5V to 1.2V DC-DC switching regulator
- 1A maximum output driving capability
- Provide stable 1.2V output when $V_{in} = 2.6V \sim 5.5V$
- 100uA maximum quiescent current (typical 60uA).

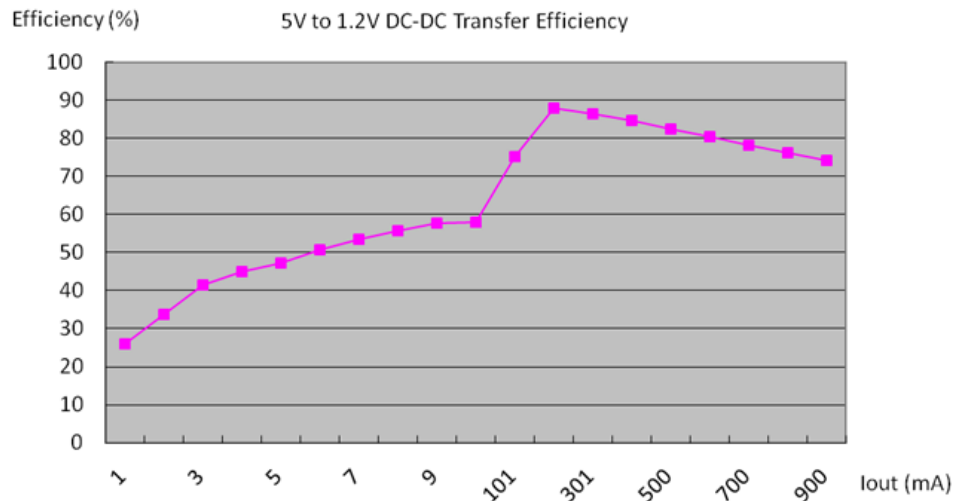


Figure 6.2 - $V_{in}(V5)$ vs $V_{out}(V1.2)$

6.6 External Clock

XOUT: 25MHz crystal oscillator output. It should be left open if an external clock source is used.

XIN: 25MHz crystal oscillator input. If an external 3.3V clock source is used, its frequency has to be 25MHz \pm 300ppm with a peak-to-peak jitter less than 50ps.

CHAPTER 7 PACKAGE DIMENSION

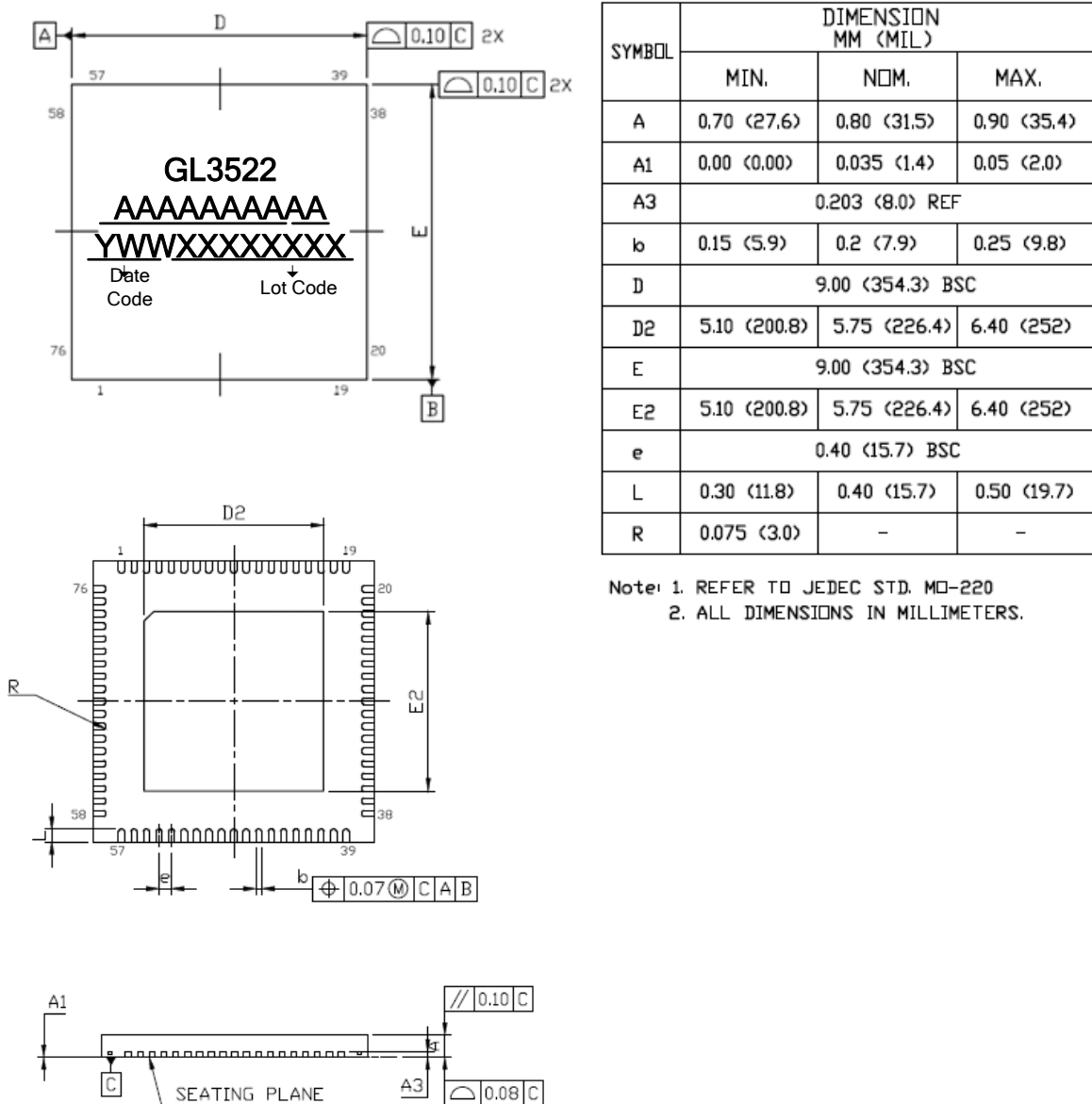
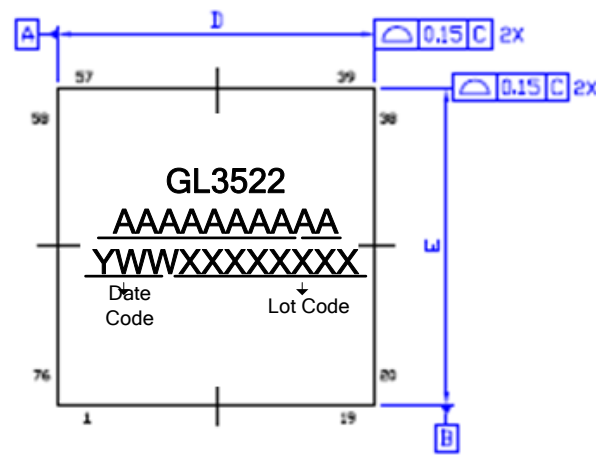


Figure 7.1 - GL3522-22 76 Pin QFN Package



SYMBOL	DIMENSION MM (MIL)		
	MIN.	NOM.	MAX.
A	---	0.68 (25.6)	0.78 (30.7)
c	0.14 (5.5)	0.18 (7.1)	0.22 (8.7)
b	0.15 (5.9)	0.2 (7.9)	0.25 (9.8)
D	9.00 (354.3) BSC		
D2	6.20 (244.1)	6.30 (248)	6.40 (252)
E	9.00 (354.3) BSC		
E2	6.20 (244.1)	6.30 (248)	6.40 (252)
e	0.40 (15.7) BSC		
L	0.30 (11.8)	0.40 (15.7)	0.45 (17.7)
L1	0.05 (2) BSC		

Note: 1. ALL DIMENSIONS IN MILLIMETERS.

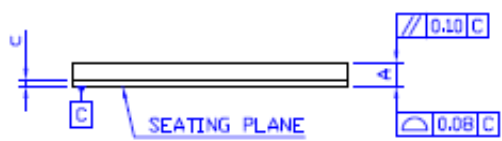
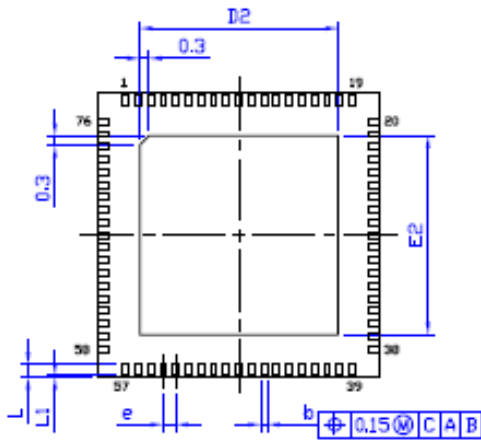


Figure 7.2 - GL3522-22 76 Pin LGA Package

CHAPTER 8 ORDERING INFORMATION

Table 8.1 - Ordering Information

Part Number	Package	Material	Version	Status
GL3522-OTY22	QFN76	Green Package	22	Available
GL3522-WTY22	LGA76	Green Package	22	Available