

High Power Factor & Accuracy Constant Current LED Driver

Features

- TM (Transition Mode) Fixed On -Time PFC Control
- Accuracy Constant Current
- Low BOM Cost
- Inductor Size Reduction
- CT Pin Adjust Frequency Range for Optimization
- Over Voltage Protection (OVP)-Auto Recovery
- LED Short Protection (SCP) -Auto Recovery
- Over Load Protection (OLP) -Auto Recovery
- SOT-26 Package

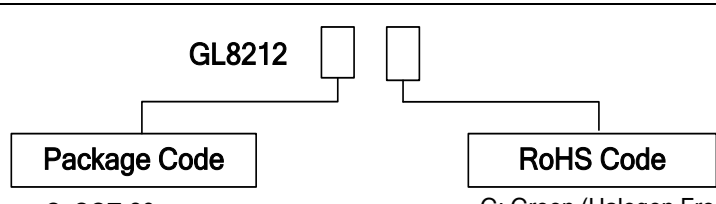
Description

The GL8212 is a highly-integrated, low startup current, TM (Transition Mode), fixed on- time PFC control and PWM controller. These functions enable the LED driver to easily meet the accuracy average LED current and high power factor requirements. The integrated functions also include the LED short protection, over voltage protection, over load protection. The COMP pin controls the duty by connected an RC compensation network to ground and forming the closed loop feedback control. The GL8212 improves the performance and reduces the cost of the LED driver. It is a 6-pin SOT-26 package.

Application

- GU10 /E14 LED Bulb
- Others LED Lighting Applications

Ordering and Marking Information

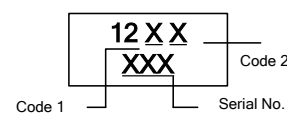


GL8212

Package Code
C: SOT-26

RoHS Code
G: Green (Halogen Free) Device
L: PB Free Device

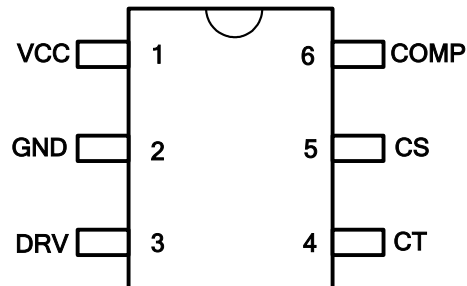
SOT-26



Code 1	8	9	A	B		G	H	I	J
Year	2008	2009	2010	2011	...	2016	2017	2018	2019
Code 2	1	2	3	4	...	9	A	B	C
Month	Jan.	Feb.	Mar.	Apr.		Sep.	Oct.	Nov.	Dec.

greenergy OPTO Inc. reserves the right to make changes to improve reliability or manufacture ability without notice, and advise customers to obtain the latest version of relevant information to verify before placing orders.

Pin Configuration



Pin Description

Pin No.	Name	Function
1	VCC	Power Supply Pin
2	GND	Ground Pin
3	DRV	The DRV pin is connected to the totem pole gate driver to drive the external power switch.
4	CT	The CT pin is connected to the current source to charge the external capacitor and compare the COMP voltage to terminate the power switch.
5	CS	Current Sense Pin
6	COMP	Feedback Compensation Network

Absolute Maximum Ratings

Supply Voltage VCC	-----	30V
CT, COMP, CS	-----	-0.3V ~ 7V
DRV	-----	15V
Junction Temperature	-----	150°C
Operating Ambient Temperature	-----	-20°C ~ 85°C
Storage Temperature Range	-----	-65°C ~ 150 °C
SOT-26 Package Thermal Resistance (junction to ambient)	-----	250°C/W
Power Dissipation (SOT-26, at ambient temperature = 85°C)	-----	250mW
Lead Temperature (All Pb free packages, soldering, 10 sec)	-----	260°C
ESD Voltage Protection, Human Body Model	-----	2KV
ESD Voltage Protection, Machine Model	-----	200V