

High Power Factor & Accuracy Constant Current LED Driver

Features

- TM (Transition Mode) Fixed On -Time PFC Control
- Accuracy Constant Current
- Low BOM Cost
- Inductor Size Reduction
- CT Pin Adjust Frequency Range for Optimization
- Over Voltage Protection (OVP)-Auto Recovery
- LED Short Protection (SCP) -Auto Recovery
- Over Load Protection (OLP) -Auto Recovery
- SOT-26 Package
- Compatible Inductance Ballast
- Incompatible Electronic Ballast

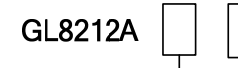
Description

The GL8212A is a highly-integrated, low startup current, TM (Transition Mode), fixed on- time PFC control and PWM controller. These functions enable the LED driver to easily meet the accuracy average LED current and high power factor requirements. The integrated functions also include the LED short protection, over voltage protection, over load protection. The COMP pin controls the duty by connected an RC compensation network to ground and forming the closed loop feedback control. The GL8212A improves the performance and reduces the cost of the LED driver. It is a 6-pin SOT-26 package.

Application

- GU10 /E14 LED Bulb
- Others LED Lighting Applications

Ordering and Marking Information

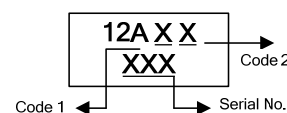


GL8212A

Package Code
C: SOT-26

RoHS Code
G: Green (Halogen Free) Device
L: PB Free Device

SOT-26



Code 1	8	9	A	B				
Year	2008	2009	2010	2011	...			
Code 2	1	2	3	4	...			
Month	Jan.	Feb.	Mar.	Apr.	...			

G	H	I	J
2016	2017	2018	2019
9	A	B	C
Sep.	Oct.	Nov.	Dec.

greenergy OPTO Inc. reserves the right to make changes to improve reliability or manufacture ability without notice, and advise customers to obtain the latest version of relevant information to verify before placing orders.