

GLP-101
VHF Japan Band

Inquiry

Application

for Spurious reduction

Characteristics

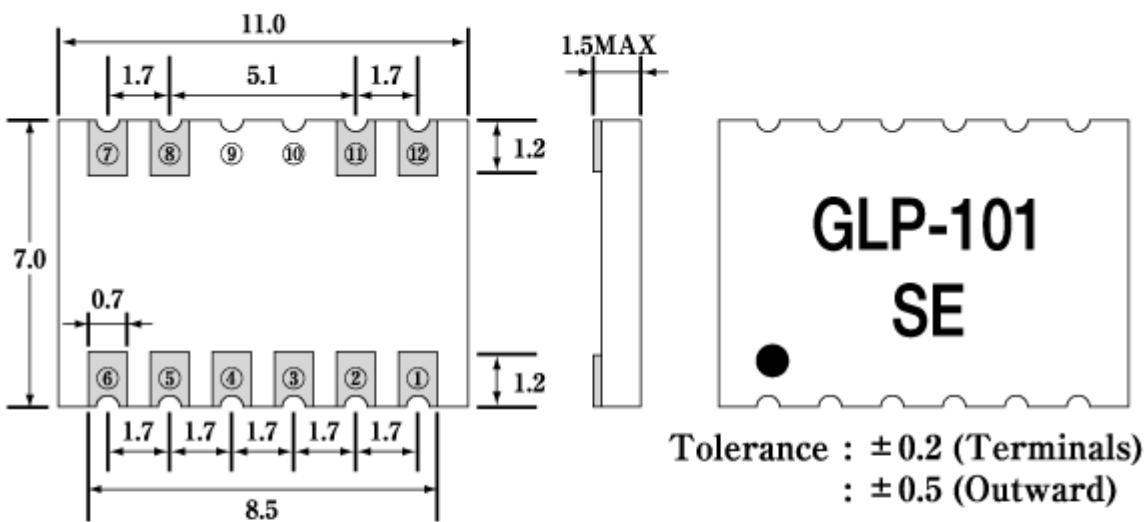
GLP-101	
Zin/Zout	50 ohm Nominal
Pass Band	136 up to 163MHz
Insertion Loss	0.7dB max (136 up to 163MHz)
V.S.W.R	1.5 max (136 up to 163MHz)
Attenuation	30 dB min (at 2f : 272 up to 326MHz)
	25 dB min (at 3f : 408 up to 489MHz)
Rated Power	12W max (136 up to 163MHz)
Max Input Power	20W 1minute

Number of ordered pieces

500pcs/Reel

Dimensions

Dimension (Unit : mm)



Tolerance : ±0.2 (Terminals)
: ±0.5 (Outward)

Terminal			
①	Input	⑦	GND
②	GND	⑧	
⑤		⑪	
⑥	Output	⑫	

Note

Do not connect any wiring (inclusive of grounding) to terminals No.9 and No.10. They are provided solely for internal connections.

Frequency Data

