

GLP-102
VHF US&EU Band

Inquiry

Application

for Spurious reduction

Characteristics

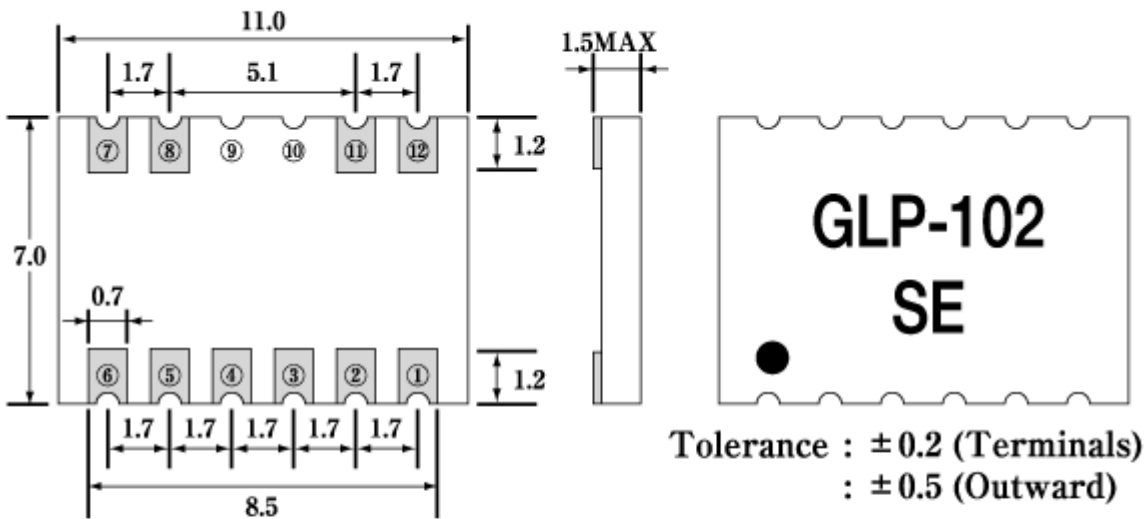
GLP-102	
Zin/Zout	50 ohm Nominal
Pass Band	148 up to 174MHz
Insertion Loss	0.7dB max (148 up to 174MHz)
V.S.W.R	1.5 max (148 up to 178MHz)
Attenuation	30 dB min (at 2f : 296 up to 348MHz)
	25 dB min (at 3f : 444 up to 522MHz)
Rated Power	12W max (148 up to 174MHz)
Max Input Power	20W 1minute

Number of ordered pieces

500pcs/Reel

Dimensions

Dimension (Unit : mm)



Tolerance : ±0.2 (Terminals)
: ±0.5 (Outward)

Terminal			
①	Input	⑦	GND
②	GND	⑧	
⑤		⑪	
⑥	Output	⑫	

Note

Do not connect any wiring (inclusive of grounding) to terminals No.9 and No.10. They are provided solely for internal connections.

Frequency Data

