

**GLP-402**  
UHF Japan Band

[Inquire](#)

**Application**

for Spurious reduction

**Characteristics**

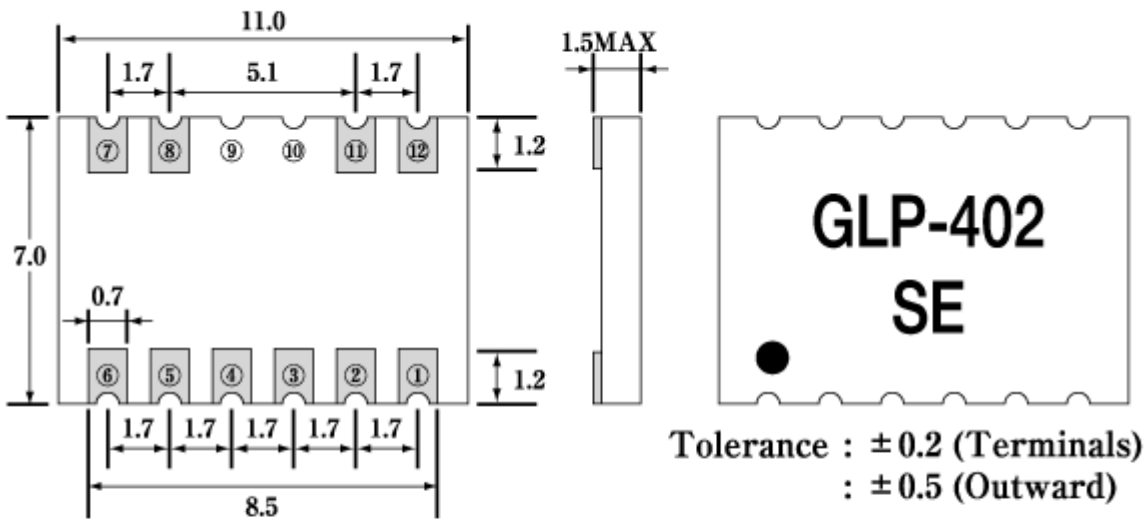
<b>GLP-402</b>	
Zin/Zout	50 ohm Nominal
Pass Band	400 up to 470MHz
Insertion Loss	0.7dB max (400 up to 470MHz)
V.S.W.R	1.5 max (400 up to 470MHz)
Attenuation	30 dB min (at 2f : 800 up to 940MHz)
	25 dB min (at 3f : 1200 up to 1410MHz)
Rated Power	12W max (400 up to 470MHz)
Max Input Power	20W 1minute

**Number of ordered pieces**

500pcs/Reel

**Dimensions**

Dimension (Unit : mm)



Terminal			
①	Input	⑦	GND
②	GND	⑧	
⑤		⑪	
⑥	Output	⑫	

**Note**

Do not connect any wiring (inclusive of grounding) to terminals No.9 and No.10. They are provided solely for internal connections.

**Frequency Data**

