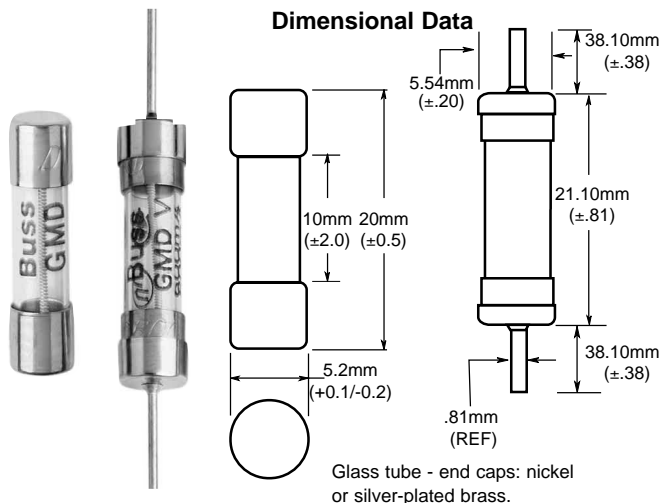


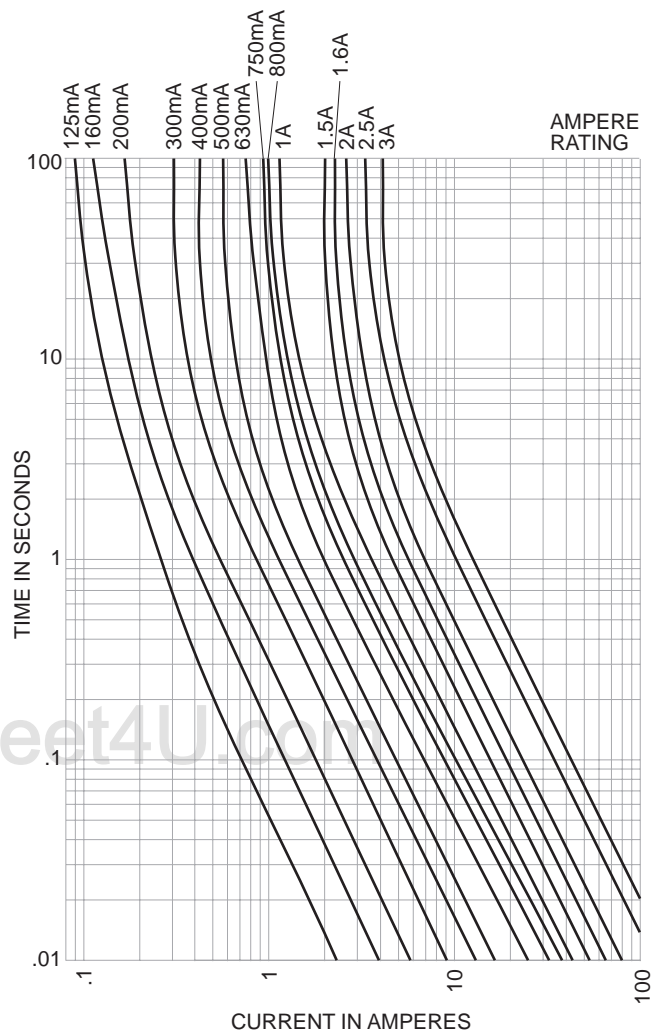
5 x 20mm Ferrule Fuses

Time-Delay

GMD
GMD-V



Time-Current Characteristic Curves—Average Melt



CATALOG SYMBOL: GMD
 TIME-DELAY
 250 VOLTS AC
 125mA - 3A UL LISTED, STD. 248-14
 (GUIDE # JDYX, FILE E75865)
 4A UL RECOGNIZED
 (GUIDE # JDYX2, FILE E75865)

Limits for Pre-arcing Time

In	1.35 In		2.0 In	
	MAX		MAX	MIN
125mA - 4A	60 min.		5 sec.	2 min.

1.1 In: $\Delta t \leq 70^\circ\text{C}$, 125mA - 3A.

1.0 In: $\Delta t \leq 70^\circ\text{C}$, 4A.

Packaging & Ordering Information:

Product Symbol		Lead		Ampere Rating
GMD		Package Code Blank (None) V Axial Leads .032" x 1.5" Copper Tinned		

Markings: MFG mark, Rated Current, Rated Voltage, Product Symbol, Approvals where Applicable.

CE CE logo denotes compliance with European Union Low Voltage Directive (50-1000 VAC, 75-1500 VDC). Refer to BIF document #8002 or contact Bussmann Application Engineering at 314-527-1270 for more information.

5 x 20mm Ferrule Fuses

Time-Delay

GMD
GMD-V

Electrical Characteristics

Current Rating (In)	Rated Voltage (VAC)	Breaking Capacity	Voltage Drop (mV) max.	Pre-arcing Value (I ² t) (A ² s) typ.	U.L.	U.R.	CSA	JIS	
125mA	250	100A/250 VAC 10kA/125 VAC p.f. = 0.7 - 0.8	1600	0.043	•		•		
150mA			1200	0.046	•		•		
160mA			1200	0.11	•		•		
187mA			1100	0.20	•		•		
200mA			1100	0.20	•		•		
250mA			950	0.40	•		•		
300mA			800	0.65	•		•		
315mA			750	0.89	•		•		
375mA			650	0.89	•		•		
400mA			600	1.2	•		•		
500mA			550	1.4	•		•		
600mA			450	3.1	•		•		
630mA			450	3.1	•		•		
750mA			410	4.7	•		•		
800mA			380	6.6	•		•		
1A			310	12	•		•		•
1.2A			280	16	•		•		
1.25A			245	16	•		•		•
1.5A			240	25	•		•		•
1.6A			220	27	•		•		•
2A			200	42	•		•		•
2.5A			195	94	•		•		•
3A			190	145	•		•		•
4A			200A/250 VAC 10kA/125V, p.f. = 1	190	300		•	•	

The only controlled copy of this BIF document is the electronic read-only version located on the Bussmann Network Drive. All other copies of this BIF document are by definition uncontrolled. This bulletin is intended to clearly present comprehensive product data and provide technical information that will help the end user with design applications. Bussmann reserves the right, without notice, to change design or construction of any products and to discontinue or limit distribution of any products. Bussmann also reserves the right to change or update, without notice, any technical information contained in this bulletin. Once a product has been selected, it should be tested by the user in all possible applications.