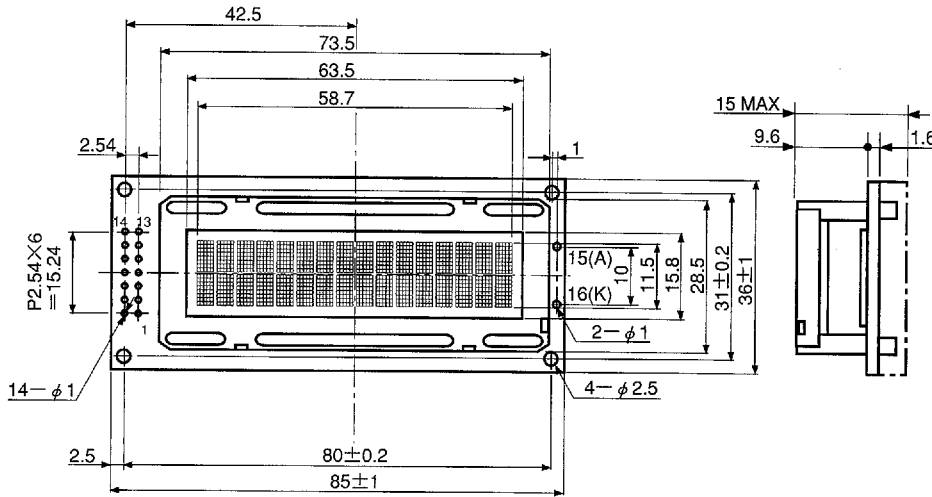
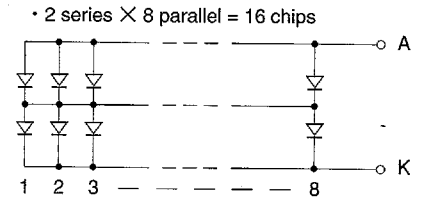


# GMD1620ALY With LED backlight

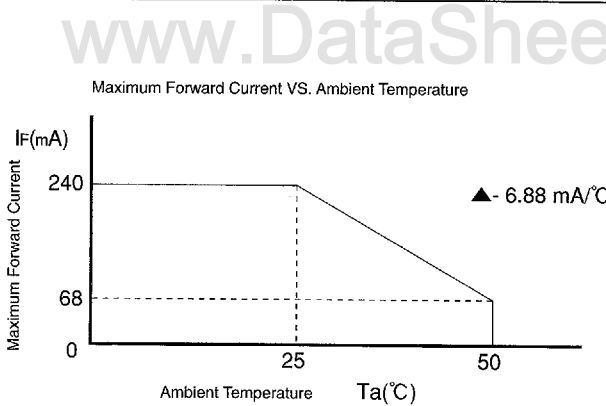
## ● Module Dimensions (LED backlight)



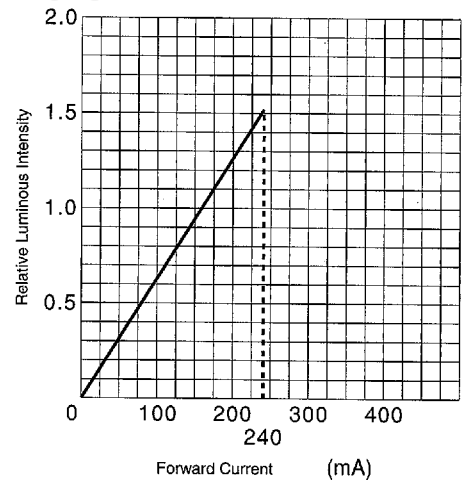
## ● Circuit Diagram of LED Backlight



## ● Characteristics of LED Backlight



Relative Luminous Intensity VS. Forward Current



※All the ratings and Characteristics of LCD modules are specified under the conditions for the LED backlight unit to meet the above derating curve.

## ● Absolute Maximum Ratings and Characteristics of LED Backlight

$T_a=25^\circ\text{C}$

Item	Absolute Maximum Ratings			Electro-Optical Characteristics								
	Forward Current	Reverse Voltage	Power Dissipation	Forward Voltage		Reverse Current		Luminous Intensity		Peak Wavelength		
	Symbol			Condition	Condition	Condition	Condition	Condition	Condition			
	Rule			$V_F$	$I_F$	$I_R$	$V_R$	$I_V$	$I_F$	$\lambda_p$	$I_F$	
Part Number (*Emitted Color)	MAX	MAX	MAX	TYP	MAX	---	MAX	---	TYP	---	TYP	---
GMD 1620ALY (Yellow)	240	8	1100	4.3	4.6	160	160	8	85	160	570	160
Unit	mA	V	mW	V		mA	$\mu\text{A}$	V	cd/m <sup>2</sup>	mA	nm	mA

Note: Above specifications should be applied to the LED backlight only.