

Description

Dual center tap Schottky rectifier designed for high frequency Switched Mode Power Supplies.

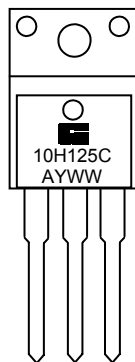
Features

- High junction temperature capability
- Good trade off between leakage current and forward voltage drop
- Low leakage current

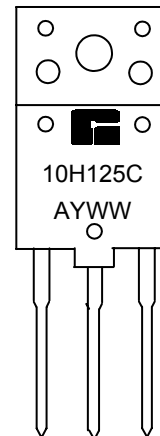
Applications

- | | |
|--|--|
| <ul style="list-style-type: none"> ■ Switching Power Supply ■ Industrial Application ■ Computer and Peripheral ■ Home Appliance ■ Consumer Product ■ Battery Charger/Adapter | <ul style="list-style-type: none"> ■ LCD Monitor/TV ■ AC-DC Converter ■ DC-DC Converter ■ Telecommunication ■ Free Wheeling Diodes ■ Polarity Protection |
|--|--|

Marking Information and Pin Configurations (Top View)



TO - 220FPAB & TO - 220AB



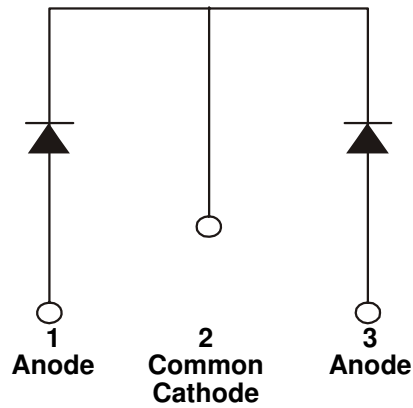
TO - 3P

10: Maximum average forward rectified current - 10A
H: Low V_F family
125: Repetitive peak reverse voltage - 125V
C: Dual Cathode Common
A: Assembly Location
Y: Year
WW: Work Week

Ordering Information

ORDERING NUMBER	PACKAGE	SHIPPING
GMR10H125CTB3T	TO220AB	50 Units/ Tube
GMR10H125CTBF3T	TO220FPAB	50 Units/ Tube
GMR10H125CTP3T	TO-3P	30 Units/ Tube

Block Diagram



Absolute Maximum Ratings

PARAMETER	SYMBOL	VALUE	UNITS
Repetitive Peak Reverse Voltage	V_{RPM}	125	V
RMS Forward Current	$I_{F(RMS)}$	10	A
Peak Forward Surge Current 8.3ms single half sine-wave superimposed on rated load (JEDEC METHOD)	I_{FSM}	135	A
Maximum Operating Junction Temperature	T_J	175	°C
Operating storage temperature	T_{STG}	-45 to +150	°C
Voltage Rate of Change	dV/dt	10,000	V/μs
Electrostatic Discharge Voltage. JEDEC Method. ESD HBM. Contact	V_{ESD}	± 8	kV

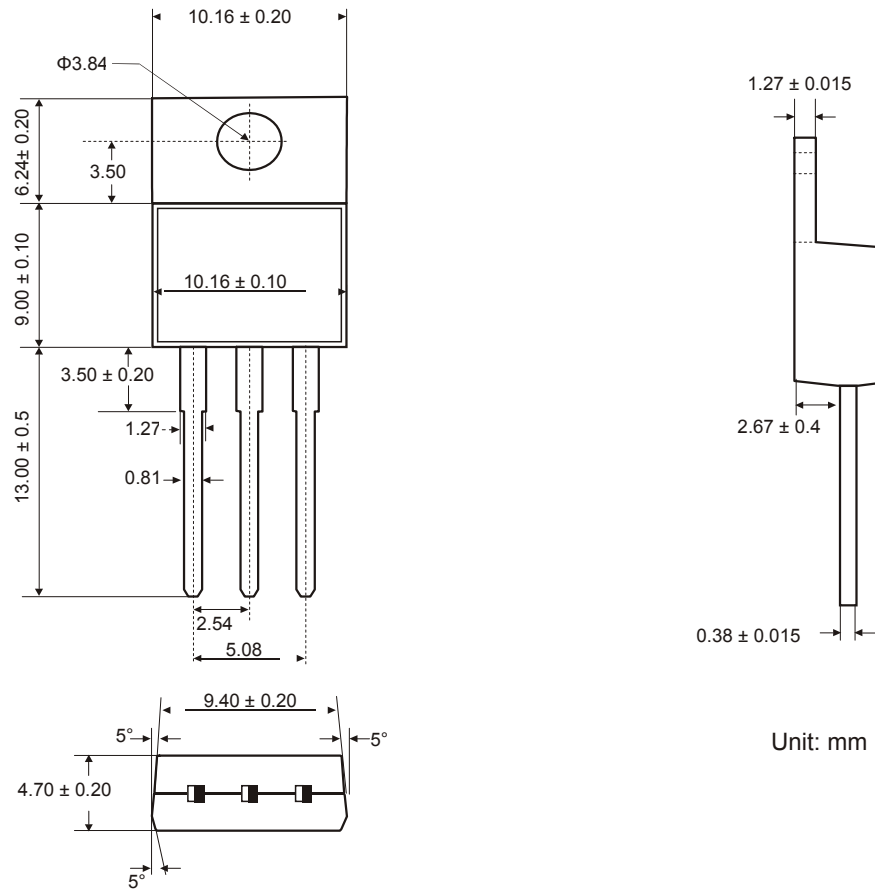
Thermal Characteristics

PARAMETER	SYMBOL	TO220AB	TO220FPAB	TO-3P	UNITS
Typical thermal resistance	Θ_{JC}	2.4	4.2	1.2	°C/W

Electrical Characteristics (per diode) $T_J = 25^\circ\text{C}$, Unless otherwise noted

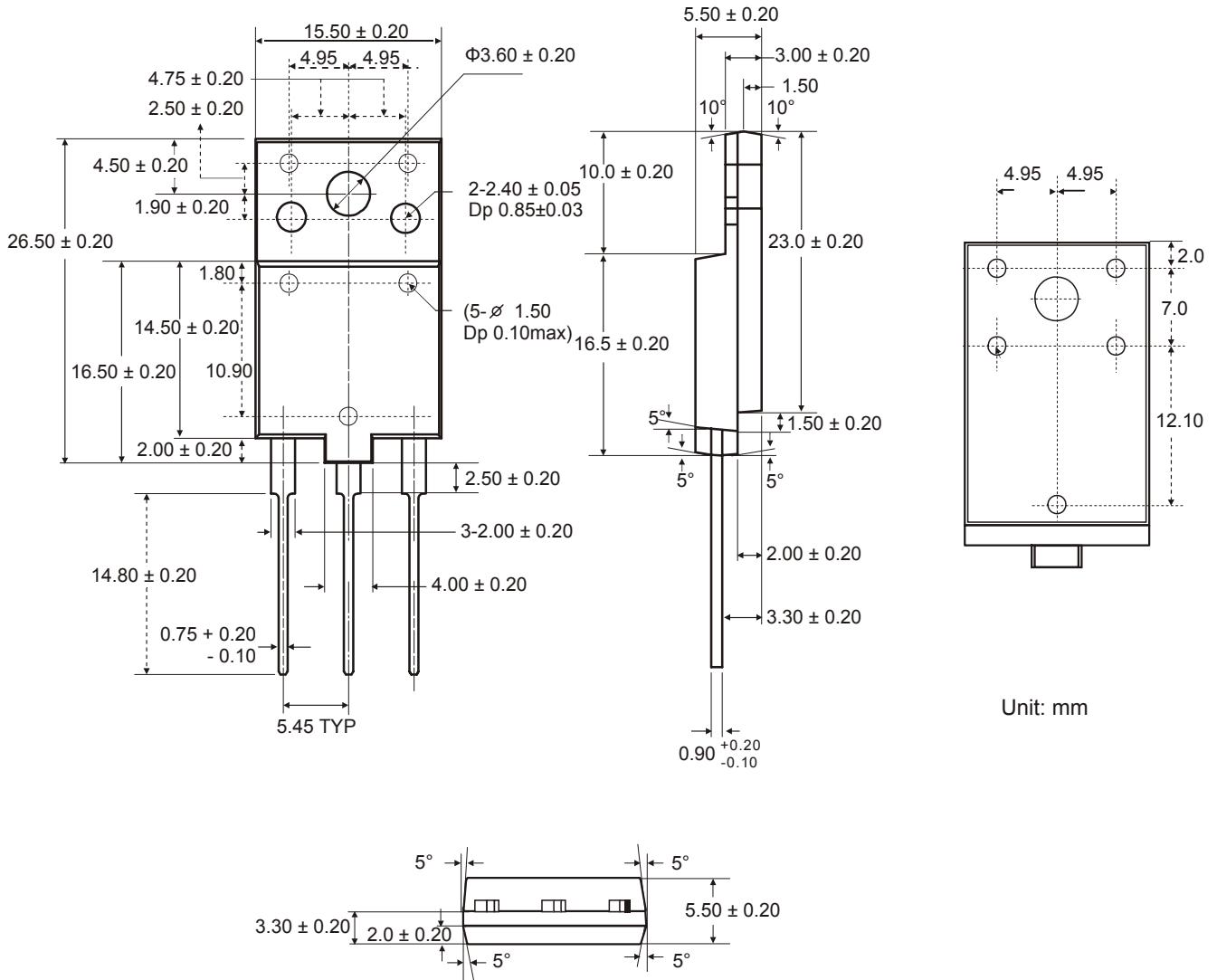
PARAMETER	SYMBOL	Test Condition	Min	Typ	Max	Units
DC Forward Voltage	V_F	$I_F = 5\text{A}$		0.85	0.87	V
Average Rectified Forward Current	$I_{F(AV)}$				5.0	A
Maximum Reverse Current	I_R	$V_R = 125\text{V}$	-	-	5	μA
		$V_R = 125\text{V}, T_J = 125^\circ\text{C}$		-	5	mA

Package Outline Dimensions – TO220AB



Unit: mm

Package Outline Dimensions – TO-3P



Ordering Number

<u>GM</u>	<u>R</u>	<u>10</u>	<u>H</u>	<u>125</u>	<u>C</u>	<u>TB3</u>	<u>I</u>
APM Gamma Micro	Circuit Type: Rectifier	Rated Current 10A	Low V_F Family	Rated Voltage 100V	Dual Cathode Common	Package TB3: TO220AB TBF3: TO220FPAB TP3: TO-3P	Shipping T: Tube R: Tape & Reel