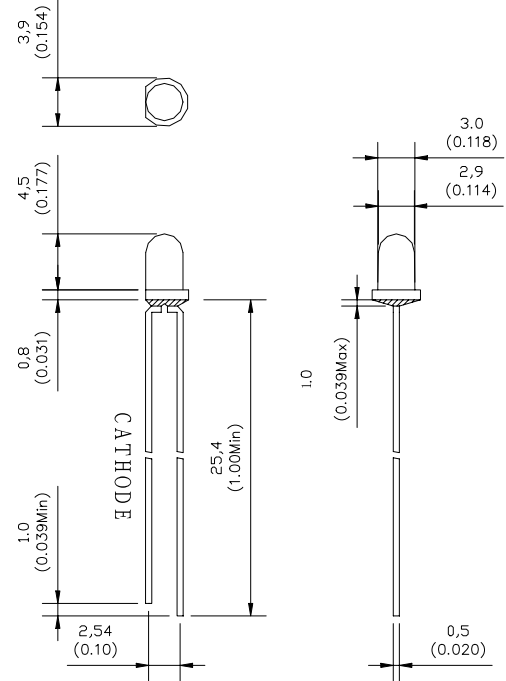


## GNL-3014xx-B (Φ 3mm ROUND TYPE) Ultra Brightness

ABSOLUTE MAXIMUM RATING:(Ta=25°C)

Parameter			Unit
DC Forward Current	30		mA
Reverse Voltage	5		V
Reverse Current (Vr=5V)	10		μA
Peak Forward Current ,tw ,=1 msec Duty ,=1/20	150		mA
Operation Temperature	-40	+80	°C
Storage Temperature	-40	+100	°C
Solder Dip (5 seconds,1.6mm from body ) Temperature	300	±5	°C



Part Number	EMITTED COLOR		Lens Color	Peak Wavelength (nm)	Blinking Frequency		Vf (v) Typ.	IV (If=20mA) mcd		View Angle 2 θ 1/2
					Min.	Typ.		Min.	Typ.	
GNL-3014SRD-B	GaAlAs	Super Red	Red Diffused	660	1Hz	2Hz	2.0	70	100	40°