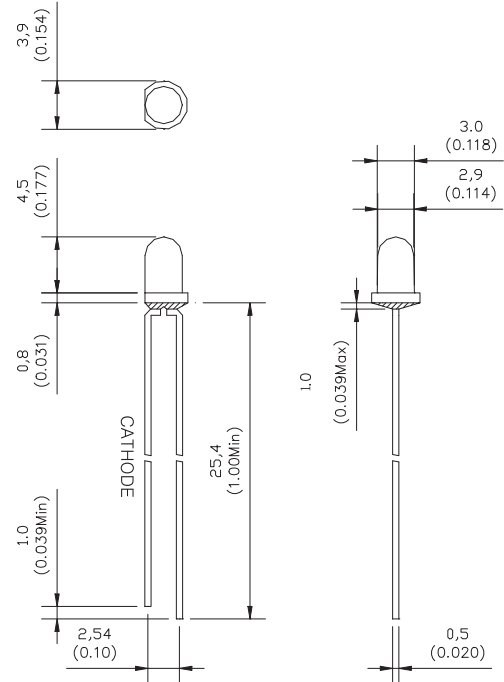


GNL-3014UYD-XX (Φ 3mm ROUND TYPE) Ultra Brightness

ABSOLUTE MAXIMUM RATING:(Ta=25°C)

Parameter			Unit
DC Forward Current	30		mA
Reverse Voltage	5		V
Reverse Current (Vr=5V)	10		μA
Peak Forward Current ,tw ,=1 msec Duty ,=1/20	150		mA
Operation Temperature	-40	+80	°C
Storage Temperature	-40	+100	°C
Solder Dip (5 seconds,1.6mm from body) Temperature	300	±5	°C



Part Number	EMITTED COLOR		Lens Color	Peak Wavelength (nm)	Vf (v) Typ.	IV (If=20mA) mcd		View Angle 2 θ 1/2
						Min.	Typ.	
GNL-3014UEC-TL	AlGaInP	Super Orange	Water Clear	625	2.0	2500	3500	20°
GNL-3014UEC-TL-S	AlGaInP	Super Orange	Water Clear	625	2.0	1000	1500	20°
GNL-3014UEC-TL-H	AlGaInP	Super Orange	Water Clear	625	2.0	3000	4000	20°