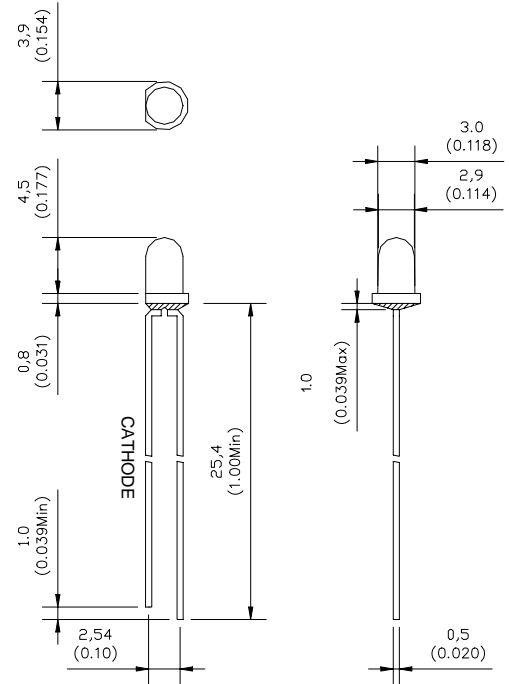


## GNL-3014xD ( 3mm ROUND TYPE) Ultra Brightness

ABSOLUTE MAXIMUM RATING:(Ta=25 )

Parameter			Unit
DC Forward Current	30		mA
Reverse Voltage	5		V
Reverse Current (Vr=5V)	10		μA
Peak Forward Current ,tw ,=1 msec Duty ,=1/20	150		mA
Operation Temperature	-40	+80	
Storage Temperature	-40	+100	
Solder Dip (5 seconds,1.6mm from body ) Temperature	300	± 5	



Part Number	EMITTED COLOR		Lens Color	Peak Wavelength (nm)	Vf (v) Typ.	IV (If=20mA) mcd		View Angle 2 1/2
						Min.	Typ.	
GNL-3014UED	AlGaInP	Super Orange	Red Diffused	625	2.0	400	500	50 °
GNL-3014UED-TL	AlGaInP	Super Orange	Red Diffused	625	2.0	600	700	50 °
GNL-3014PGD	InGaN	Super Pure Green	Green Diffused	525	3.5	2000	2500	35 °
GNL-3014PGD-TL	InGaN	Super Pure Green	Green Diffused	525	3.5	3000	3800	35 °