

DATA SHEET



GPC11A24B1

Sound Controller with 1MB ROM

AUG 12, 2008

Version 1.0

GENERALPLUS TECHNOLOGY INC. reserves the right to change this documentation without prior notice. Information provided by GENERALPLUS TECHNOLOGY INC. is believed to be accurate and reliable. However, GENERALPLUS TECHNOLOGY INC. makes no warranty for any errors which may appear in this document. Contact GENERALPLUS TECHNOLOGY INC. to obtain the latest version of device specifications before placing your order. No responsibility is assumed by GENERALPLUS TECHNOLOGY INC. for any infringement of patent or other rights of third parties which may result from its use. In addition, GENERALPLUS products are not authorized for use as critical components in life support devices/systems or aviation devices/systems, where a malfunction or failure of the product may reasonably be expected to result in significant injury to the user, without the express written approval of Generalplus.

Table of Contents

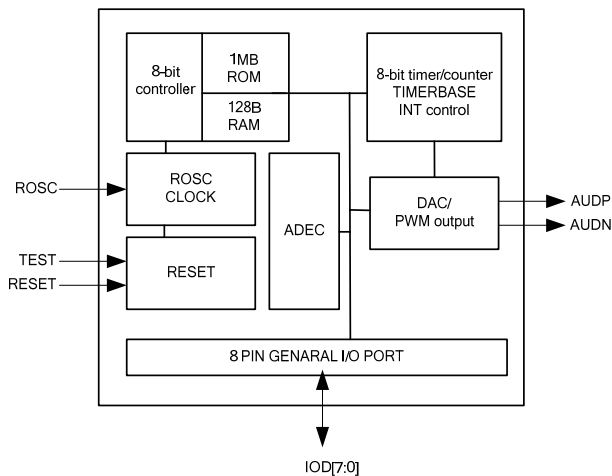
	<u>PAGE</u>
1. GENERAL DESCRIPTION	3
2. BLOCK DIAGRAM	3
3. FEATURES	3
4. APPLICATION FIELD	3
5. SIGNAL DESCRIPTIONS	4
5.1. PAD ASSIGNMENT	5
6. FUNCTIONAL DESCRIPTIONS	6
6.1. CPU	6
6.2. RAM AREA	6
6.3. ROM AREA	6
6.4. MAP OF MEMORY AND I/Os	6
6.5. I/O PORT	6
6.6. POWER SAVING MODE	6
6.7. LOW VOLTAGE RESET	7
6.9. TIMER/COUNTER	7
6.10. SPEECH AND MELODY	7
7. ELECTRICAL SPECIFICATIONS	8
7.1. ABSOLUTE MAXIMUM RATINGS	8
7.2. AC CHARACTERISTICS ($T_A = 25^\circ\text{C}$)	8
7.3. DC CHARACTERISTICS ($V_{DD} = 5.0\text{V}, T_A = 25^\circ\text{C}$)	8
7.4. DC CHARACTERISTICS ($V_{DD} = 3.0\text{V}, T_A = 25^\circ\text{C}$)	8
7.5. THE RELATIONSHIP BETWEEN THE R_{OSC} AND THE F_{CPU}	9
7.5.1. $V_{DD} = 3.0\text{V}, T_A = 25^\circ\text{C}$	9
7.5.2. $V_{DD} = 4.5\text{V}, T_A = 25^\circ\text{C}$	9
7.5.3. Operating current vs. V_{DD} @ 6MHz	9
7.5.4. Frequency vs. V_{DD}	9
8. APPLICATION CIRCUITS	10
8.1. PWM OUTPUT	10
8.2. DAC OUTPUT	11
9. PCB LAYOUT GUIDE	12
10. PACKAGE/PAD LOCATIONS	13
10.1. ORDERING INFORMATION	13
11. DISCLAIMER	14
11. REVISION HISTORY	15

SOUND CONTROLLER WITH 1MB ROM

1. GENERAL DESCRIPTION

The GPC11A24B1, a speech/wavetable synthesizer, equips an 8-bit CMOS microprocessor, and 1M-byte Working ROM, 128-byte working SRAM. Other primary features include two 8-bit Timer/Counters and can cascade to one 16-bit timer/counter, 8 Software Selectable I/Os, One 8-bit DAC and a pair of PWM output. It operates at a wide voltage range of 2.4V - 5.5V. Plus, a Clock Stop mode is built in for power savings. The unique power saving mode saves the RAM contents, but freezes the oscillator to stop executing other functions. The maximum CPU frequency can run up to 8MHz and the instruction cycle is two clock cycles (min.) ~ six clock cycles (max.). The GPC11A24B1 loads, not only the latest technology, but also the full commitment and technical support of Generalplus.

2. BLOCK DIAGRAM



3. FEATURES

- 8-bit microprocessor
- 1M bytes ROM
- 128-byte working SRAM
- Software-based audio processing
- Wide operating voltage: 2.4V - 5.5V @ 6.0MHz
3.6V - 5.5V @ 8.0MHz
- Supports ROSC only
- Max. CPU clock: 6.0MHz @ 3.0V, 8MHz @ 5.0V
- Standby mode (Clock Stop mode) for power savings.
Max. 2.0μA @ 5.0V
- 500ns instruction cycle time @ 4.0MHz CPU clock
- 8 general I/Os
- Low Voltage Reset (LVR) function
- Two 8-bit timer/counters and can cascade to one 16-bit timer/counter
- Six INT sources
- Key wake -up function
- IR function
- External feedback input
- Watch dog function
- One DAC and A pair of PWM output

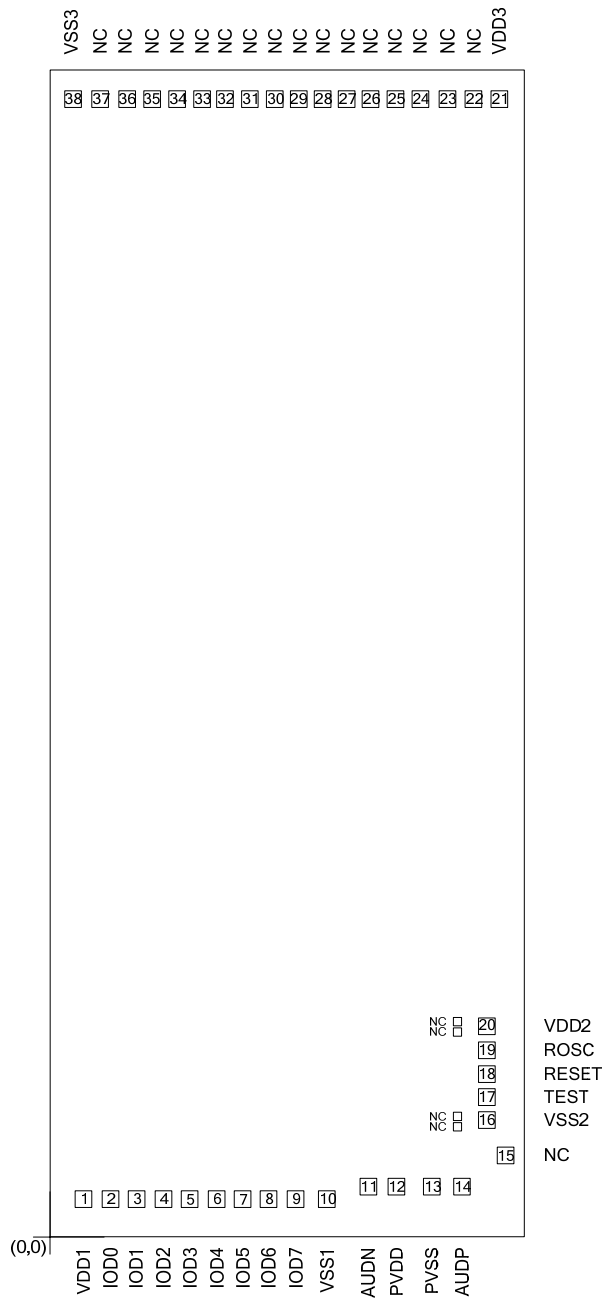
4. APPLICATION FIELD

- Intelligent education toys
Ex. Pattern to voice (animal, car, color, etc.)
Spelling (English or Chinese)
Math
- Advanced toy controller
- General speech synthesizer
- Industrial controller

5. SIGNAL DESCRIPTIONS

Mnemonic	PIN No	Type	Description
VDD1	1	I	Digital Power Pad
VSS1	10	I	Digital Ground
VDD2	20	I	Digital Power Pad
VSS2	16	I	Digital Ground
VDD3	21	I	Digital Power Pad
VSS3	38	I	Digital Ground
PVDD	12	I	PWM Power Pad
PVSS	13	I	PWM Ground
ROSC	19	I	ROSC Resistor input (Resistor must be connected to VDD)
RESET	18	I	Reset pin, Active low to reset whole system.
TEST	17	I	Test pin, NC
AUDP	14	O	Audio OUTPUT1
AUDN	11	O	Audio OUTPUT2
NC	15,22~37	-	NC
IOD0	2	I/O	Bit-controlled programmable I/O pins.
IOD1	3	I/O	In input mode, port D can be either pure or pull-low states.
IOD2	4	I/O	In output mode, port D can be buffer.
IOD3	5	I/O	Port D are the key wakeup I/O pins.
IOD4	6	I/O	IOD4: feedback input of clock generator
IOD5	7	I/O	IOD5: feedback output of clock generator
IOD6	8	I/O	IOD6: external interrupt
IOD7	9	I/O	IOD7: IR transmitter

5.1. PAD Assignment



The IC substrate should be connected to VSS

Note1: To ensure that the IC functions properly, please bond all of VDD and VSS pins.

Note2: The 0.1μF capacitor between VDD and VSS should be placed to IC as close as possible.

6. FUNCTIONAL DESCRIPTIONS

6.1. CPU

The microprocessor in GPC11A24B1 is a high performance 8-bit processor equipped Accumulator, Program Counter, X and Y Register, Stack pointer and Processor Status Register (the same as the 6502 instruction structure). The maximum CPU speed of 8.0MHz is capable of bringing you the cleaner speech, pleasant music as well as achieving the best performance.

6.2. RAM Area

The total RAM size is 128-bytes (including Stack) starting from address \$0080 through \$00FF or mapping to \$0180 through \$01FF.

6.3. ROM Area

The GPC11A24B1 provides a 1M-byte ROM that can be defined as the program area, audio data area, or both. To access ROM, users should program the BANK SELECT Register, choose bank, and access address to fetch data.

6.4. Map of Memory and I/Os

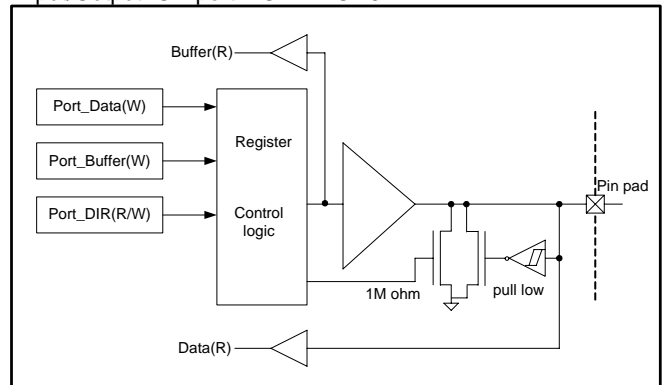
0x0000	IO
0x0017	
0x0080	Reserved
0x00FF	SRAM
0x0180	Reserved
0x01FF	SRAM (Mapping)
0x0200	Test Program
0x0600	
0xF_FFFF	User's Program & Data Area

6.5. I/O Port

There are 8 IOs (IOD7-0) in the GPC11A24B1. IOD7-0 are bit-controlled IOs. They can be programmed as input (pure input or pull-low) or output buffer. As pull-low input IOD7-0 keep a less impedance to get good noise immunity. While pressing the key (IOD7-0 to VDD), a large impedance remained to save the DC power. IOD4, IOD5 can be programmed as a RC clock generator by adding external resistor and capacitor. IOD6 can be programmed as a external interrupt source. IOD7 can be programmed as an IR transmitter.

IO port configuration:

Input/Output IOD port : IOD7 - IOD0



6.6. Power Saving Mode

The GPC11A24B1 includes a power saving mode (Standby mode) for those applications that require very low standby current. To enter standby mode, the Wake-Up Register must be enabled and then stop the CPU clock by writing the STOP CLOCK Register to enter standby mode. In such mode, RAM and I/Os will remain in their previous states until being awoken. Port IOD7-0 is the only wake-up source in the GPC11A24B1. After the GPC11A24B1 is awoken, the internal CPU will go to the RESET State ($T_w \geq 64 \times T_1$) and continue to execute program. Wakeup Reset will not affect RAM nor I/Os.

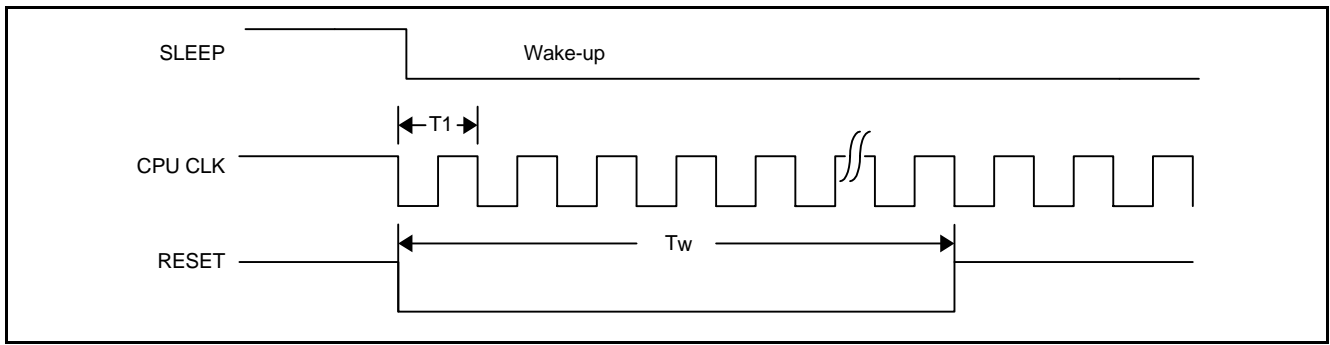


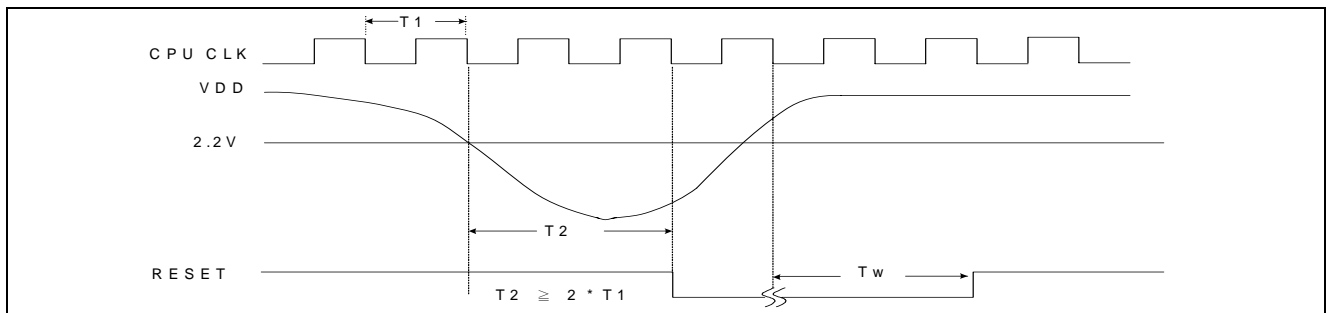
FIG. 1

$$T1 = 1 / (F_{CPU}), Tw \geq 64 \times T1$$

6.7. Low Voltage Reset

The GPC11A24B1 has a Low Voltage Reset (LVR) function. In general, the CPU becomes unstable and malfunctions when the power voltage drops below certain operating voltage. With the

unique design of Low Voltage Reset in GPC11A24B1, it is able to reset all functions to the initial operational (stable) state if the VDD power-supply voltage drops below 2.2V.



(The LVR function is the same as Power ON Reset or External Reset.)

6.9. Timer/Counter

The GPC11A24B1 has two 8-bit timer/counters, TMA and TMB respectively. TMA can be specified as a timer, but TMB can be used as a timer or a counter. In the timer mode, TMA and TMB are re-loaded up-counters. When timer rollovers from \$FF to \$00, the carry (overflow) signal will make the user's preset value to be loaded into timer automatically and up-count again. At the same

time, the carry signal will generate an INT signal if the corresponding bit is enabled in the INT ENABLE Register. Suppose TMB is specified as a counter, users can reset it by loading #0 into the counter. After the counter has been activated, the value in the counter can also be read at the same time. The read instruction will not affect the value of the counter nor reset it.

Clock source of Timer/Counter can be selected as follows:

Timer/Counter		Clock Source
TMA	8-BIT TIMER	CPU CLOCK (T) or T/8, T/64, TMB overflow
TMB	8-BIT TIMER	T, T/65536, EXTCLK, 0, 1

6.10. Speech and Melody

In speech synthesis, the GPC11A24B1 can use NMI for accurate sampling frequency. The user can store the speech data in ROM and play it back with realistic sound quality. Several algorithms

are recommended for high fidelity and compression of sound: PCM, LOG PCM, ADPCM and SACMA3400.

7. ELECTRICAL SPECIFICATIONS

7.1. Absolute Maximum Ratings

Characteristics	Symbol	Ratings
DC Supply Voltage	V_+	< 7.0V
Input Voltage Range	V_{IN}	-0.5V to $V_+ + 0.5V$
Operating Temperature	T_A	0°C to +60°C
Storage Temperature	T_{STO}	-50°C to +150°C

Note: Stresses beyond those given in the Absolute Maximum Rating table may cause operational errors or damage to the device. For normal operational conditions see AC/DC Electrical Characteristics.

7.2. AC Characteristics ($T_A = 25^\circ\text{C}$)

Characteristics	Symbol	Limit			Unit	Test Condition
		Min.	Typ.	Max.		
OSC Frequency	F_{OSC}	-	-	6.0	MHz	VDD = 2.4V - 3.6V, for 2-battery
		-	-	8.0	MHz	VDD = 3.6V - 5.5V, for 3-battery

7.3. DC Characteristics (VDD = 5.0V, $T_A = 25^\circ\text{C}$)

Characteristics	Symbol	Limit			Unit	Test condition
		Min.	Typ.	Max.		
Operating Voltage	VDD	3.6	-	5.5	V	-
Operating Current	I_{OP}	-	5.0	-	mA	$F_{CPU} = 6.0\text{MHz} @ 5.0V$ (no load)
Standby Current	I_{STBY}	-	-	2.0	μA	VDD = 5.0V
Audio Output Current	I_{AUD}	-	5.0	-	mA	VDD = 5.0V
Input High Level(IOD)	V_{IH}	4.0	-	-	V	VDD = 5.0V
Input Low Level(IOD)	V_{IL}	-	-	0.8	V	VDD = 5.0V
Output Source Current (IOD)	I_{OH}	-	-9	-	mA	VDD = 5.0V, $V_{OH} = 4V$
Output Sink Current (IOD)	I_{OL}	-	20	-	mA	VDD = 5.0V, $V_{OL} = 1V$
PWM Output Current	I_{OH}	-	-170	-	mA	VDD = 5.0V, $V_{OH} = 4.0V$
	I_{OL}	-	208	-	mA	VDD = 5.0V, $V_{OL} = 1.0V$
Input Resistor (IOD)	R_{IN}	-	85	-	$K\Omega$	VDD = 5.0V, $V_{IN} = 0V$
Input Resistor (IOD)	R_{IN}	-	770	-	$K\Omega$	VDD = 5.0V, $V_{IN} = VDD$

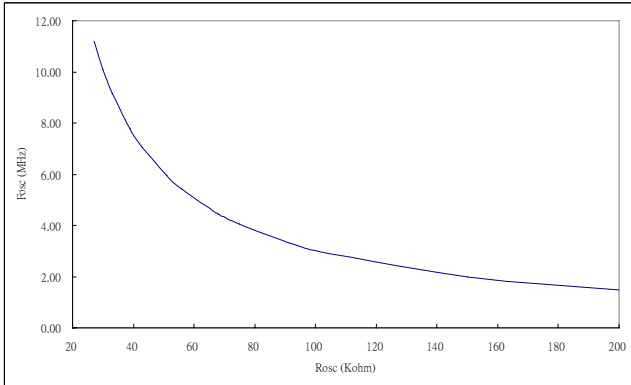
7.4. DC Characteristics (VDD = 3.0V, $T_A = 25^\circ\text{C}$)

Characteristics	Symbol	Limit			Unit	Test condition
		Min	Typ	Max		
Operating Voltage	VDD	2.4	-	3.6	V	-
Operating Current	I_{OP}	-	2.0	-	mA	$F_{CPU} = 6.0\text{MHz} @ 3.0V$ (no load)
Standby Current	I_{STBY}	-	-	2.0	μA	VDD = 3.0V
Audio Output Current	I_{AUD}	-	2.6	-	mA	VDD = 3.0V
Input High Level (IOD)	V_{IH}	2.4	-	-	V	VDD = 3.0V
Input Low Level (IOD)	V_{IL}	-	-	0.8	V	VDD = 3.0V
Output Source Current (IOD)	I_{OH}	-	-4	-	mA	VDD = 3.0V, $V_{OH} = 2.4V$
Output Sink Current (IOD)	I_{OL}	-	10	-	mA	VDD = 3.0V, $V_{OL} = 0.6V$
PWM Output Current	I_{OH}	-	-86	-	mA	VDD = 3.0V, $V_{OH} = 2.4V$
	I_{OL}	-	116	-	mA	VDD = 3.0V, $V_{OL} = 0.6V$

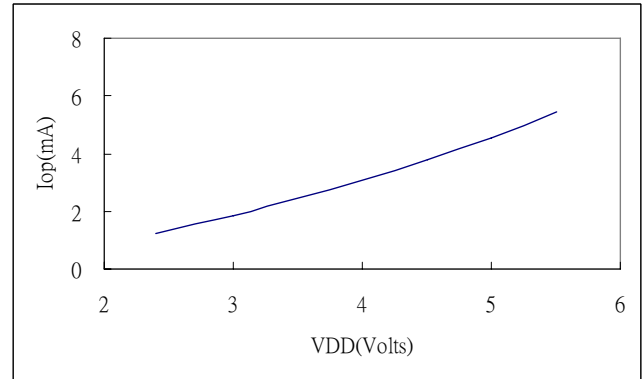
Characteristics	Symbol	Limit			Unit	Test condition
		Min	Typ	Max		
Input Resistor (IOD)	R_{IN}	-	170	-	K Ω	VDD = 3.0V, $V_{IN} = 0V$
Input Resistor (IOD)	R_{IN}	-	1580	-	K Ω	VDD = 3.0V, $V_{IN} = VDD$

7.5. The Relationship between the R_{OSC} and the F_{CPU}

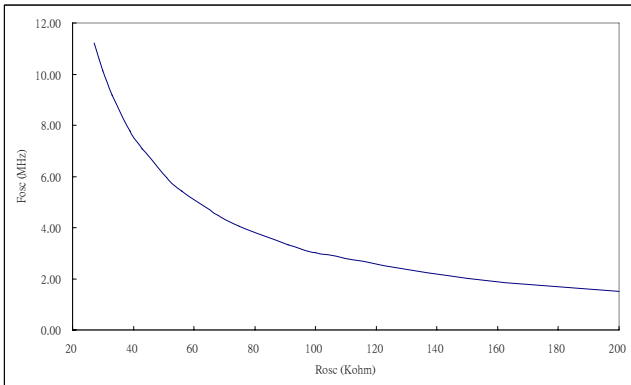
7.5.1. VDD = 3.0V, $T_A = 25^\circ C$



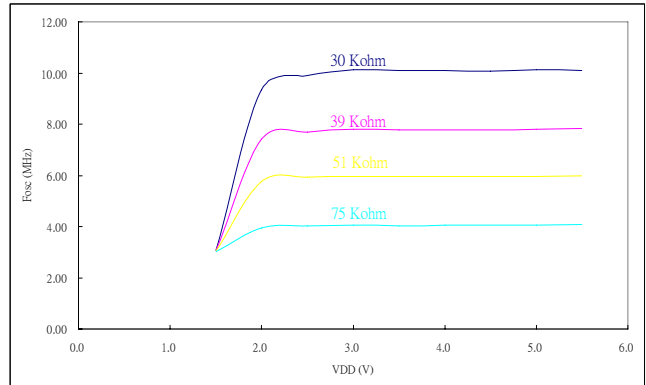
7.5.3. Operating current vs. VDD @ 6MHz



7.5.2. VDD = 4.5V, $T_A = 25^\circ C$

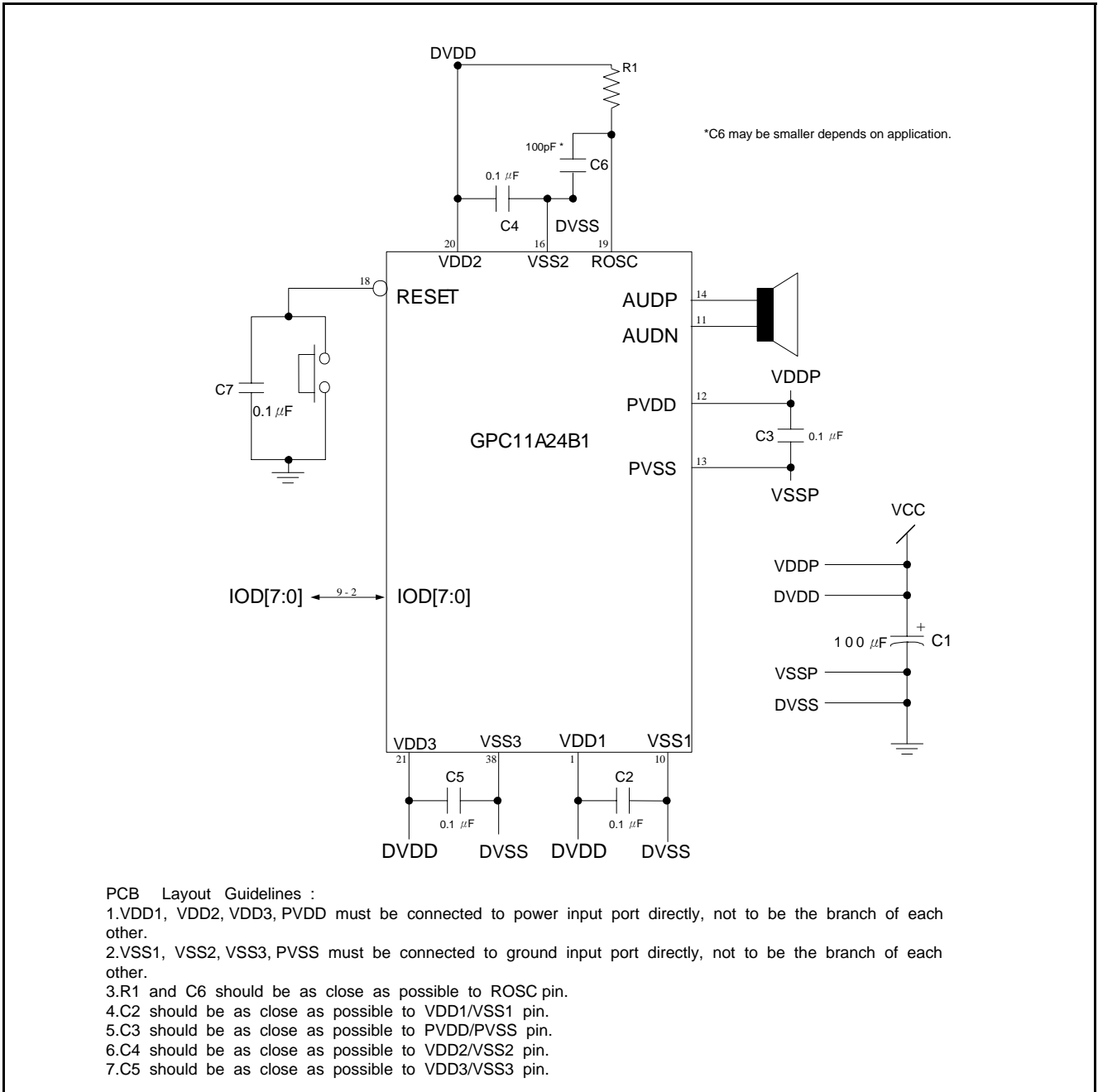


7.5.4. Frequency vs. VDD

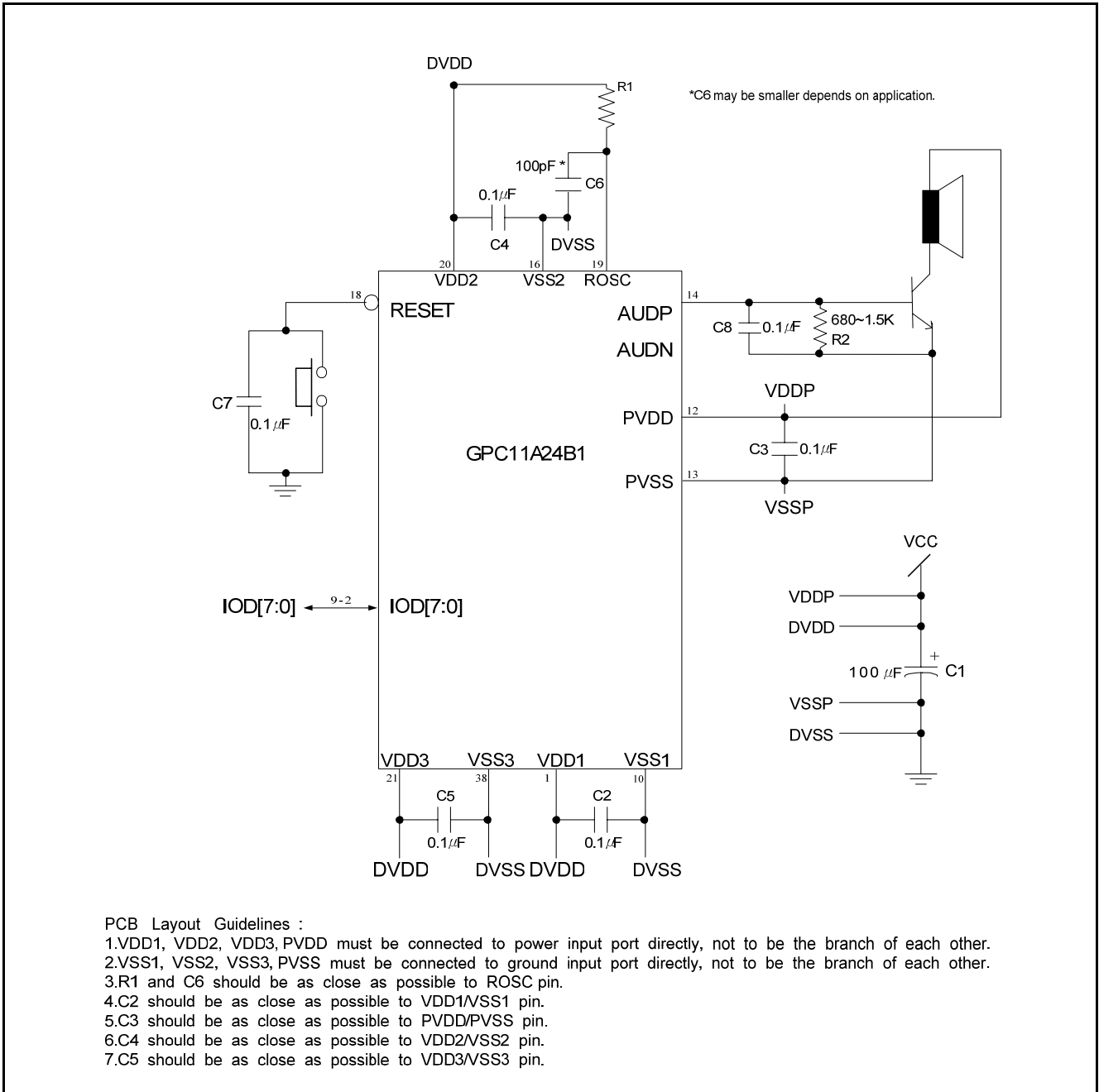


8. APPLICATION CIRCUITS

8.1. PWM Output



8.2. DAC Output

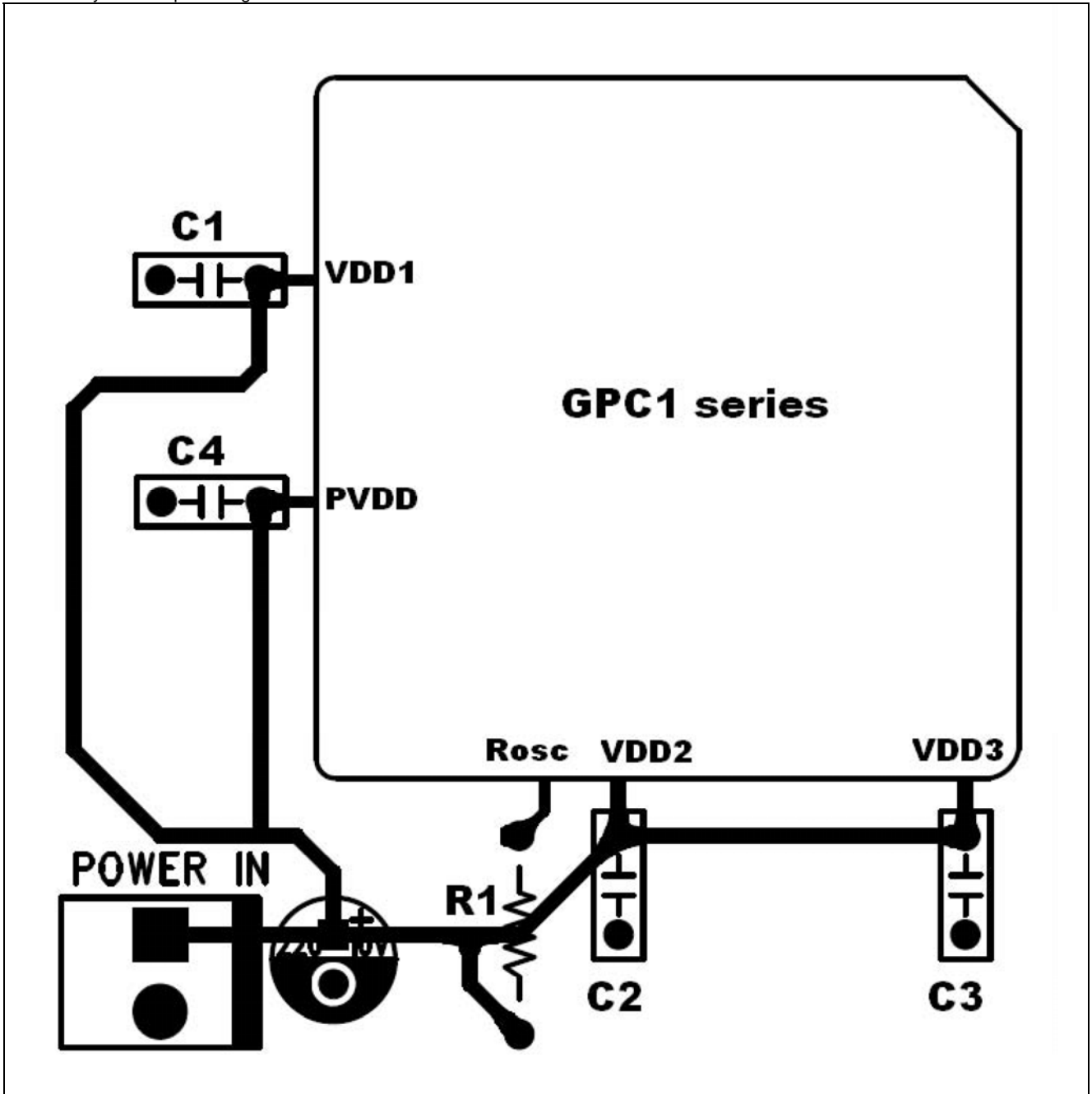


9. PCB LAYOUT GUIDE

To avoid the unexpected noises to end up with abnormal CPU operations, the following cares must be exercised while doing the PCB layout:

1. Bond all VDD and VSS pins out.
2. The 0.1 μ F capacitor (C1-C4) placed between VDD and VSS must be as closed as possible to IC itself.
3. The ROsc resistor R1 must be as closed as possible to IC itself.

The PCB layout examples are given as follows:





10. PACKAGE/PAD LOCATIONS

10.1. Ordering Information

Product Number	Package Type
GPC11A24B1 - NnnV - C	Chip form

Note1: Code number is assigned for customer.

Note2: Code number (N = A - Z or 0 - 9, nn = 00 - 99); version (V = A - Z).

11. DISCLAIMER

The information appearing in this publication is believed to be accurate.

Integrated circuits sold by Generalplus Technology are covered by the warranty and patent indemnification provisions stipulated in the terms of sale only. GENERALPLUS makes no warranty, express, statutory implied or by description regarding the information in this publication or regarding the freedom of the described chip(s) from patent infringement. FURTHERMORE, GENERALPLUS MAKES NO WARRANTY OF MERCHANTABILITY OR FITNESS FOR ANY PURPOSE. GENERALPLUS reserves the right to halt production or alter the specifications and prices at any time without notice. Accordingly, the reader is cautioned to verify that the data sheets and other information in this publication are current before placing orders. Products described herein are intended for use in normal commercial applications. Applications involving unusual environmental or reliability requirements, e.g. military equipment or medical life support equipment, are specifically not recommended without additional processing by GENERALPLUS for such applications. Please note that application circuits illustrated in this document are for reference purposes only.

11. REVISION HISTORY

Date	Revision #	Description	Page
AUG. 12, 2008	1.0	Original	15