

Incremental encoders

Shaft with clamping or synchro flange, PTB approved

Resolution 50 or 500 pulses

GPI0W



GPI0W with clamping flange

Features

- Encoder with shaft $\varnothing 10$ mm or $\varnothing 6$ mm
- PTB approved
- Clamping flange or synchro flange
- High rotation speed max.10000 rpm
- Compact design
- High resistance to shock and vibrations

Technical data - electrical ratings

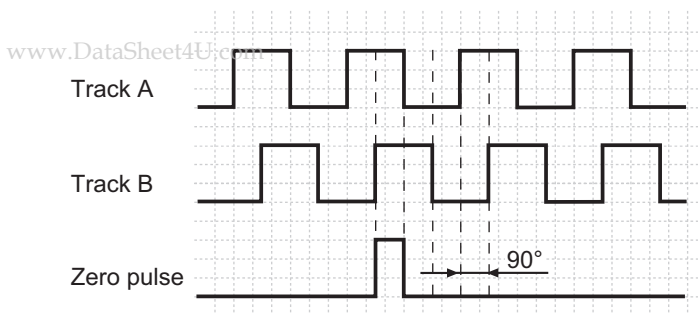
Voltage supply	10...30 VDC
Reverse polarity protection	Yes
Consumption w/o load	≤ 30 mA (24 VDC)
Resolution (steps/turn)	50...500
Reference signal	Zero pulse, width 90°
Sensing method	Optical
Output frequency	≤ 150 kHz
Output signals	A 90° B + N
Output circuit	Push-pull short-circuit proof
Interference immunity	DIN EN 61000-6-2
Emitted interference	DIN EN 61000-6-4
Approval	UL approval / E63076

Technical data - mechanical design

Housing	$\varnothing 58$ mm
Shaft	$\varnothing 6$ mm (synchro flange) $\varnothing 10$ mm (clamping flange)
Flange	Clamping or synchro flange
Protection DIN EN 60529	IP 54
Operating speed	≤ 10000 rpm
Starting torque	≤ 0.015 Nm IP 54
Rotor moment of inertia	14.5 gcm ²
Admitted shaft load	≤ 20 N axial ≤ 40 N radial
Materials	Housing: aluminium Flange: aluminium
Operating temperature	-25...+85 °C
Relative humidity	95 % non-condensing
Resistance	DIN EN 60068-2-6 Vibration 10 g, 16-2000 Hz DIN EN 60068-2-27 Shock 200 g, 6 ms
Weight approx.	250 g
E-connection	Cable

Output signals

Clockwise rotating direction when looking at flange.



Incremental encoders

Shaft with clamping or synchro flange, PTB approved

Resolution 50 or 500 pulses

GPI0W

Part number

GPI0W. 10

See part number (pulses)

E-connection

- 12 Cable 2 m, axial
- 14 Cable 5 m, axial
- 16 Cable 10 m, axial
- 22 Cable 2 m, radial
- 24 Cable 5 m radial
- 26 Cable 10 m, radial

Voltage supply / signals

- 10 10...30 VDC / push-pull

Flange / Shaft

- 0 Clamping flange, mounting M3 / \varnothing 10 mm
- 1 Clamping flange, mounting M4 / \varnothing 10 mm
- 5 Synchro flange, mounting M4 / \varnothing 6 mm

Part number (pulses)

39 (50) | 15 (500)

Example: ordering key 15 = 500 pulses.

Accessories

Mounting accessories (page %S)

Z 119.006	Eccentric fixing, single
Z 119.013	Adaptor plate for clamping flange for modification into synchro flange
Z 119.015	Mounting adaptor for synchro flange
Z 119.017	Mounting angle for clamping flange
Z 119.025	Adaptor plate for clamping flange, mounting by eccentric fixings (order separately)
Z 119.035	Bearing flange for encoders with synchro flange

Terminal assignment

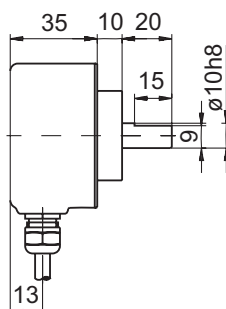
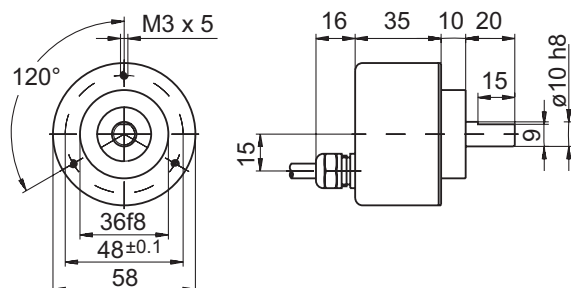
Core colour	Assignment
green	Track N (zero pulse)
blue	Track A
beige	Track B
black	GND (0 V)
brown	UB

Trigger level

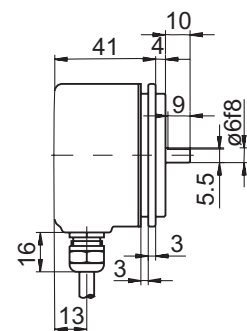
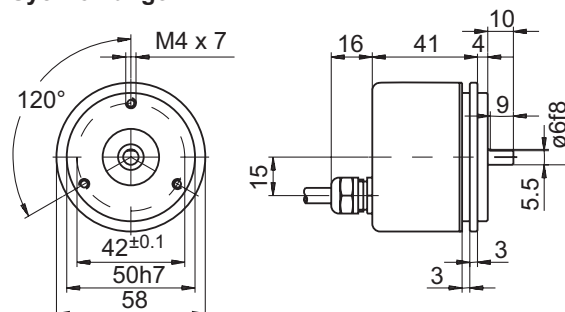
Outputs	Push-pull circuit-proof
Output level High	>UB -3 V (I = -20 mA)
Output level Low	<0.5 V (I = 20 mA)
Load High	<20 mA
Load Low	<20 mA

Dimensions

Clamping flange



Synchro flange



www.DataSheet4U.com

www.DataSheet4U.com

www.baumerivo.com