

GPJ09-5604 DATA SHEET

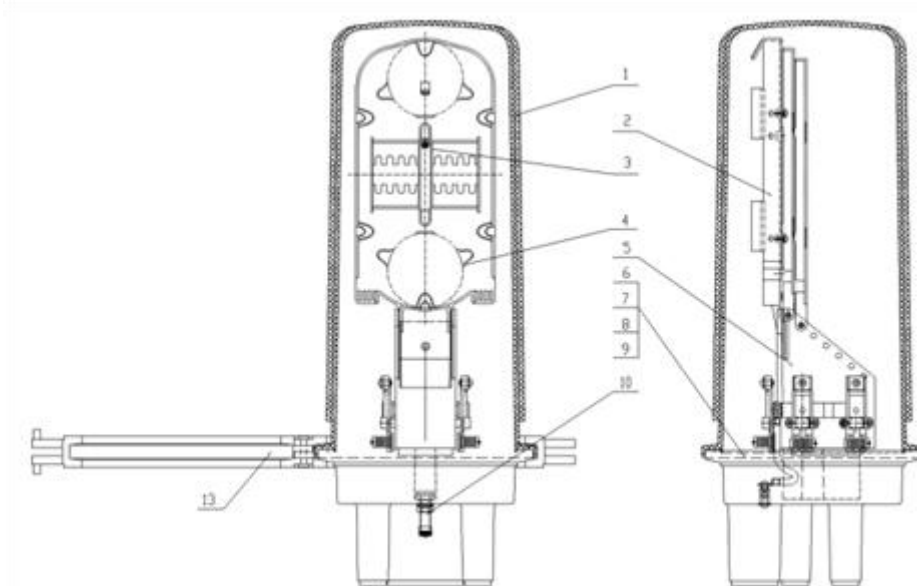
1. General introduction

GPJ09-5604 is a fiber optic cable splice of multiple purposes, which can connect and branch cables. GPJ09-5604 has 5 inlets. 4 inlets are for the installation of cut cable; the other oval inlet is for non cut cable. The fiber closures are suitable for different fiber cable splices in branching applications. It can be placed in aerial, wall-mounting, pole mounting and so on.

2. Specifications

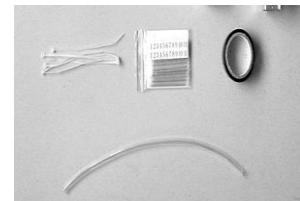
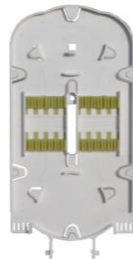
Size (mm) H×D	450×Φ230	Max.Capacity(cores)	144 single fibers
Weight (kg)	3.80-4.20	Airproof type	Heat Shrink
Entrances	5	Reinforced core	Steel wire
Suitable cable diameter	Φ8mm ~ Φ17.5 (Φ25)	Material	MPP
Maximum number of trays	6	Capacity of Tray	Max 24 single Fusion splices

3. Drawing



13	SL06001R	GPJ09L5-BR-1-04-1	L5 Closure clamp	ABS+PC	1
12	FC01050R	GB97.1-85	φ4 washer	SS 304	2
11	CY05001R	GB823-88	M4X6 cross screw	SS 304	2
10	FC01065R		TR430A-F Copper Valve	Copper	1
9	SL01021R	GPJ09-5601-07	5601 Copper nut	φ10XM6X40	2
8	FC01079R	GPJ09L5-BJ-18	Earthing copper stud	φ8XM4X15	1
7	MF03001R	GPJ09L5-BR-I-05	O-ring	NBR	1
6	SL12018R	GPJ09L5-BR-02	L5-BR Base (For earthing)	PP+glass fiber	1
5	SL02011R	GPJ09-5601-02-0	5601 bracket kit		1
4	SL02009R	GPJ09L5-BR-03-1	L5BR tray(7# tray)	ABS747	5
3	JG03003R	GB845-85	φ4X6 cross self-tapping screw	SS 304	2
2	SL02036R	GPJ09-5601-06	5601 tray fixing plate	ABS747	1
1	SL12002R	GPJ09L5-BR-1-01	L5 dome	PP+Glass fibet	
No	Material Code	Pic. No.	Description	Material & Spec.	Qty

5. Real picture of product



6. Bill of material

GPJ09-5604 BOM					
Specific requirement: GPJ09-5604, with earthing wire and valve, O-ring NBM material, outside metal SS 304, With/ Without duct/wall mounting kit (SS 304)					
No.	Material Code	Material	Specification	Quantity	Remark
1	SL12002R	L5-BR Dome	PP+glass fiber	1	
2	SL12018R	L5-BR base (for earthing)	PP+glass fiber	1	
3	FC01047R	L8cm earthing wire		1	
4	FC01065R	TR430A-F copper valve	Copper	1	
5	MF02001R	11# grommet, O-ring	NBR	1	
6	CY06001R	5601 earthing bar	aluminum	1	
7	SL01023R	5601 bracket	ABS757	1	
8	SL06003R	L5 clamp locking block 2	ABS+PC	1	Closure clamp
9	SL06001R	L5 closure clamp 2	ABS+PC	1	Closure clamp
10	SL06005R	L5 clamp pinch plate	ABS+PC	1	Closure clamp

11	CY02009R	L5 SS screw latch	SS 304	1	Closure clamp
12	SL06007R	L4 plastic latch	ABS+PC	1	Closure clamp
13	SL06006R	L5 plastic latch	ABS+PC	1	Closure clamp
14	CY04003R	L6-BJ strength member strip	Aluminum alloy	6	Earthing & clamp bar
15	CY03034R	L6-BJ armoring layer tableting	Phosphor bronze	6	Earthing & clamp bar
16	CY03032R	L9 strength member	Stainless	6	Earthing & clamp bar
17	JG05016R	φ10-19 hoop	Stainless	6	Earthing & clamp bar
18	SL02036R	5601 tray fixing plate	ABS747	1	
19		Tray ties		1	
20	SL15005R	L5BR tray cover(7#)	PC transparent plate	6	
21	SL02009R	L5BR splice tray(7#)	ABS747	6	
22	SL05001R	L5 splicer holder (4#)	TVP	24	
23	FC03016R	12 colorful label		12	
Accessories					
24	BZ01020R	Plastic bag 35*70		1	

25	FC01016R	1.0×60 heatshrink sleeves	1.0×60	72	
26	FC01023R	3×120 nylon ties	3×120	12	
27	FC01069R	Insulation tapes		1	
28	BZ01007R	Plastic bag 12*17		3	
29	FC01067R	Tissue		1	
30	FC01072R	Sand paper		1	
31	FC01062R	Aluminum tape		1	
32	FC01041R	Middle type branch kit	Shenzhen CY	1	
33	FC01033R	φ68×180 heatshrink tubes	Shenzhen WE	1	
34	FC01032R	φ28×180 heatshrink tubes	Shenzhen WE	4	
35	FC01070R	EVA tubes		1.5m	
36		5604 Instruction manual		1	
37		5604 Outdoor carton	6 pcs/ctn		
38		5604 Indoor carton	465×235×205	1	
39	JG02020R	M4×10 cross screw	Stainless	19	

40	JG02027R	M4×18 cross screw	Stainless	2	
41	JG02026R	M4×16 cross screw	Stainless	4	
42	JG02016R	M4×6 cross screw	Stainless	3	
43	JG02022R	ST4×8 cross screw	Stainless	2	
44	JG02025R	ST4×14 cross self-tapping screw	Stainless	1	
45	JG02052R	M8×30 hexagon bolt	Stainless	1	
46	JG02072R	φ8 washer	Stainless	1	
47	JG02077R	φ8 spring washer	Stainless	1	
48		Silica gel, 50gm/bag		2	