

GR-5017, MT3337

Ultra-High Performance,

GPS Mouse Receiver

Overview

GR-5017 is an easy to use, ultra-high performance, low power, industrial grade GPS receiver. It supports multiple satellite positioning systems – GPS, QZSS and SBAS.

The IP67 waterproof feature makes this cable receiver an ideal solution for outdoor applications.

Our experienced design fully exhibits the excellent performance of MT3337 chip. It works in GPS signal difficult environment, provides fast acquisitions and excellent tracking performance.

Applications

- High-precision clock/timing
- Automatic vehicle location
- Vehicle navigation device
- DGPS (RTCM SC-104)*

Features

- High performance: -165dBm⁺ tracking sensitivity
- Low power: 24mA at continuous tracking
- GPS/QZSS/SBAS support
- Supported SBAS: WAAS/EGNOS/MSAS/GAGAN
- 12 multi-tone active interference cancellers
- Indoor/outdoor multi-path detection & compensation
- Up to 5Hz update rate*
- Backup battery support for faster position fix
- LED for position fix indication
- IPX7 Waterproof
- Built-in magnet



RoHS
Compliant



- Industrial operating temperature range: -40 ~ 85°C
- Notes
- * Some features need commands programmed by customers

Technical Specifications

Receiver Performance Data*

Receiver Type	GPS Chipset: MT3337 Frequency: L1, 1575.42MHz C/A code: 1.023 MHz chip rate Channels: Tracking: 22 /acquisition: 66
Horizontal Position Accuracy	< 3.0m (Autonomous) < 2.5m (WAAS) (CEP, 50% 24hr static, -130dBm)
Velocity Accuracy	< 0.1 m/s (autonomous) < 0.05 m/s (SBAS) (50%@30m/s)
PPS Signal Accuracy	±10ns RMS (1PPS output)
Time To First Fix	Autonomous Hot start <1sec Warm start <35sec Cold start <35sec (50% -130dBm)
Sensitivity (Autonomous)	-148dBm (acquisition) -165dBm (tracking)
Update Rate	Default 1Hz, max. 5Hz,
Max. Altitude	18,000 m

NaviSys Technology Corp.

Tel : +886-3-5632598

Sales contact: sales@navisys.com.tw

Address: 2F, No.56, Park Ave. II, Science-Based Industrial Park, Hsinchu 300, Taiwan (R.O.C.)

<http://www.navisys.com.tw/>

Fax: +886-3-5632597

Technical support: service@navisys.com.tw

Max. Velocity	<1,852 km/hr
Protocol Support	NMEA 0183 v3.01 UART: 9600 bps N,8,1; GGA, GSV GSA,, RMC
SBAS Support	WAAS, EGNOS, MSAS, GAGAN

Electrical Data

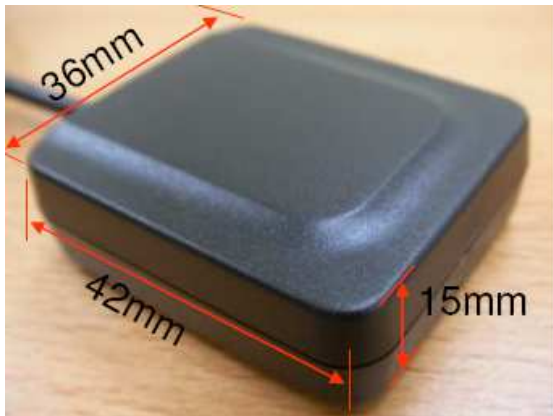
Power Supply	3.3 ~5.5 VDC
Power Consumption	24 mA/average tracking

Environmental Data

Operating temperature	-40 ~ 85°C (battery: -20 ~ 60°C)
Storage temperature	-40 ~ 85°C (battery: -20 ~ 60°C)
Operating humidity	5% ~ 95% non-condensing
Waterproof	IPX7


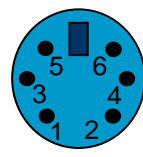

Other Data

Cable Length	1.5m for GR-5017U 3m for GR-5017R <1m for GR-5017T
Dimension	36 x 42 x 15 (mm)



Interfaces



			
Pin	Mini-Din 6-pin PS/2 Male Plug	Mini-Din 6-pin PS/2 Male Plug	USB A type Male Plug
1	GND	GND	VDD 5V
2	VCC	VCC	D-
3	TXD-TTL	TXD-TTL	D+
4	NC	RX-RS232	GND
5	NC	TX-RS232	
6	RXD-TTL	RXD-TTL	

Ordering Information

GR-5017X

T	TTL; mini-din 6-pin male connector
R	RS232; mini-din 6-pin male connector
U	USB; type A connector

* Customizations (connector, cable length, baud rate etc.) are welcome.

*This document is subject to change without notice.