

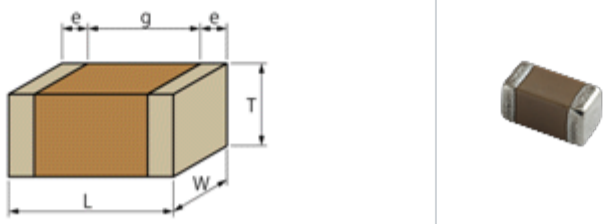
GRM185R61A105KE36#

" # " indicates a package specification code.

Available   Complies with RoHS

< List of part numbers with package codes >
 GRM185R61A105KE36D , GRM185R61A105KE36J , GRM185R61A105KE36B

Shape

	
L size	1.6 ± 0.1mm
W size	0.8 ± 0.1mm
T size	0.5 +0/-0.1mm
External terminal width e	0.2 to 0.5mm
Distance between external terminals g (Min.)	0.5mm
Size code in mm(inch)	1608 (0603)

References

Packaging	Specifications	Minimum quantity
D	Paper tape (180mm)	4000
J	Paper tape (330mm)	10000
B	Packing in bulk	1000

Mass (typ.)	
1 piece	3mg
Reel (180mm)	100g

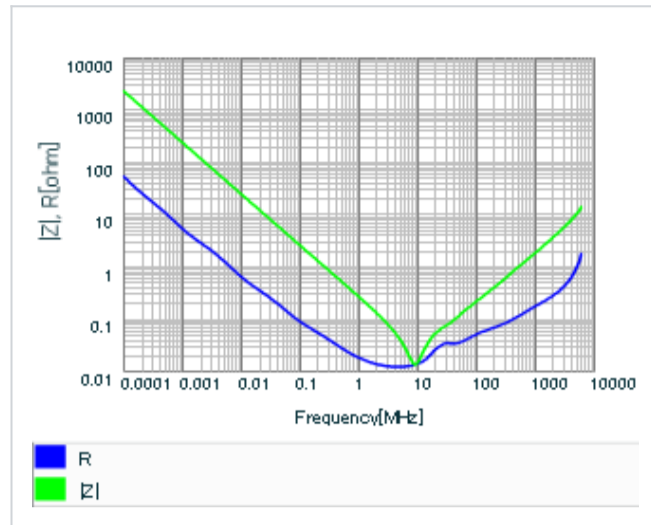
Specifications

Capacitance	1.0µF ± 10%
Rated voltage	10Vdc
Temperature characteristics (complied standard)	X5R(EIA)
Capacitance change rate	± 15%
Temperature range of temperature characteristics	-55 to 85
Operating temperature range	-55 to 85

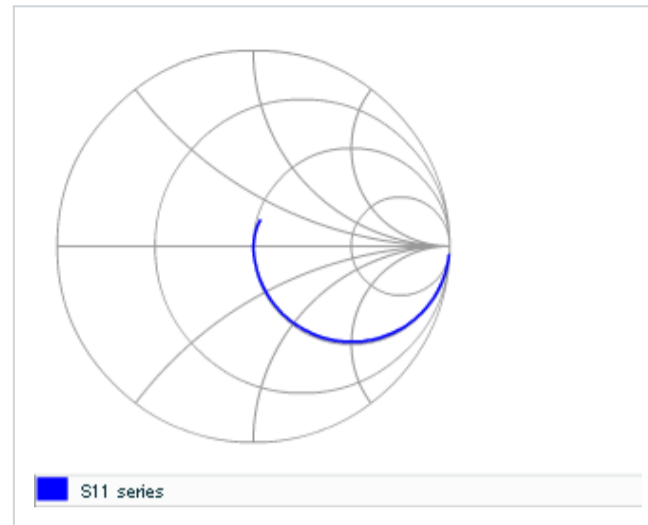
Attention

- 1.This datasheet is downloaded from the website of Murata Manufacturing Co., Ltd. Therefore, it ' s specifications are subject to change or our products in it may be discontinued without advance notice. Please check with our sales representatives or product engineers before ordering.
- 2.This datasheet has only typical specifications because there is no space for detailed specifications. Therefore, please review our product specifications or consult the approval sheet for product specifications before ordering.

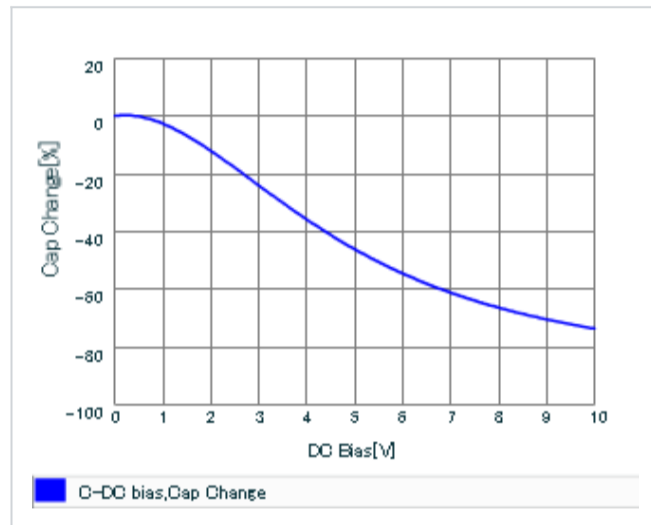
▪ Frequency characteristics (ESR, Impedance)



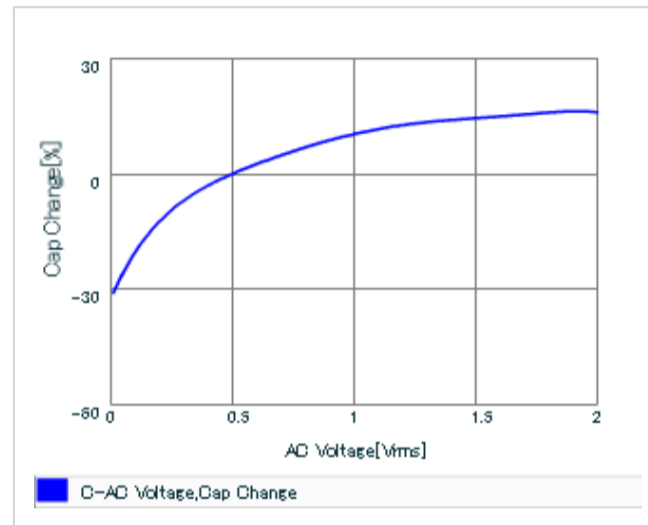
▪ S parameter (Smith chart S11)



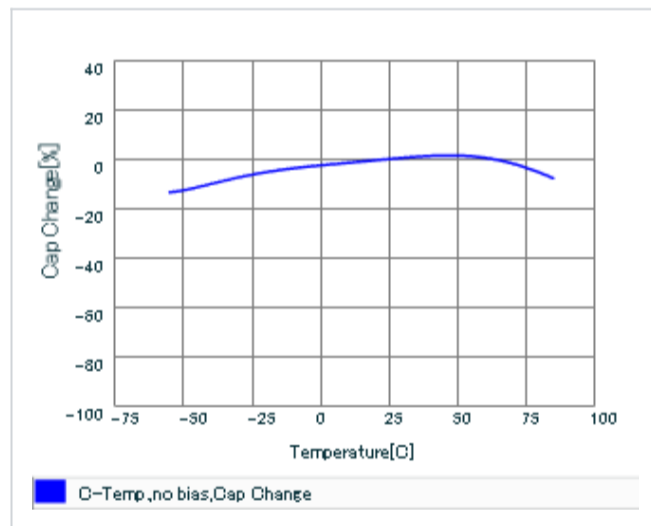
▪ DC bias characteristics



▪ AC voltage characteristics



▪ Capacitance - temperature characteristics



▪ Calorific property by ripple current

