

Distributed by:



Industrial LCD Monitor
MODEL : GS265HM-LS01
 [PN : GS265HM1-LS01X]

(●) Preliminary Specification
() Final Specification

Customer

Customer's Approval	
<u>Signature</u>	<u>Date</u>

<u>Prepared By</u>	<u>Date</u>
<u>Approved By</u>	<u>Date</u>



GSD Co., Ltd.
 17, Cheomdan Gieop 7-ro, Sandong-myeon,
 Gumi-si, Gyeongbuk, Korea
 Tel: 82-54-461-7188 / Fax: 82-54-461-7190 / sales@wgsd.co.kr

CONTENTS

1. Description	4
2. General Features	4
3. Specification	4
4. Environment	7
5. Cable Pin Configuration	7
6. Mechanical Specification	9
Appendix : Block Diagram	10

Revision History

Revision No.	Revision Date	Page	Description
0.0	15/JUN/2016	-	First Draft

1. Description

GSD's Industrial TFT-LCD Bezel Frame monitor GS265HM-LS01 is a high performance TFT LCD monitor and providing high image from the analog DVI-D, HDMI, DP.

2. General Features

- 1920 x 1920 pixels resolution
- Low Power consumption
- DVI-D and HDMI, DP
- Light Emitting Diode(LED) Backlight system

3. Specification

● Product Configuration

Boards	<input type="checkbox"/> AD58EK-12 <input type="checkbox"/> AD58EK-24 <input type="checkbox"/> Ex-Gen <input type="checkbox"/> MMP <input checked="" type="checkbox"/> VCB1504L
BLU Control Boards	DG4-024V
Enclosure	<input type="checkbox"/> OPEN Frame <input checked="" type="checkbox"/> Bezel Frame
UI Control	<input type="checkbox"/> 7Key <input type="checkbox"/> Remote Control <input checked="" type="checkbox"/> TBD
Option	Black Spray

● Display

Size	26.5 inches
Active Display Area	475.776 mm(H) x 475.776 mm(V)
Outline Dimension	491.80 mm(H) x 491.80 mm(V) x 16.50 mm(D)
Number of Pixels	1920 dots(H) x 1920 lines(V)
Pixel Pitch	0.0826 mm(H) x 0.0826 mm(W)
Color Depth	16.2M color(8bits)
Viewing Angle (CR>10)	L/R : 178°(Typ.)
	U/D : 178°(Typ.)
Contrast Ratio	1000 : 1 (Typ.)
Response Time	14 msec (Typ.) / (Raising + Falling)
Average Brightness	1500 cd/m ² (Typ.)
Back Light System	LED Backlight
Base Panel	LGD LM265SQ1-SLA1

● Scanning Frequency

Horizontal	31 ~ 90KHz
Vertical	56 ~ 75Hz

● Input Resolution [DVI-D]

Recommended Resolution	1920x1920@60 Hz
Supported Input Resolution	640x480@60/72/75 Hz 800x600@56/60/72/75 Hz 1024x768@60/70/75 Hz 1280x1024@60/75 Hz 1920x1080@60 Hz 1920x1920@60 Hz

● Input Signal

DVI	Swing Voltage : $400\text{mV} \leq V_{\text{sing}} \leq 600\text{mV}$ Termination Resistance : $50 \pm 10\%$ ohm
HDMI / DP	480p, 576p, 720p, 1080i, 1080p

● HDMI Signal Resolution

DTV	SDTV 480p 60Hz SDTV 576p 50Hz HDTV 720p 50/60Hz HDTV 1080i 50/60Hz HDTV 1080p 24/50/60Hz
PC	640x480@60Hz 800x600@60Hz 1024x768@60Hz 1280x1024@60Hz 1920x1080@60Hz

● Input Signal Connector

DVI	DVI-D
HDMI	HDMI
DP	DP

● Plug & Play

DDC2B (VESA Standard)

● Power Supply Rating

Power Consumption	TBD Watt (Typ.) @Set
DC Output	24Vdc TBDA
AC input	100~240Vac

● User Controls

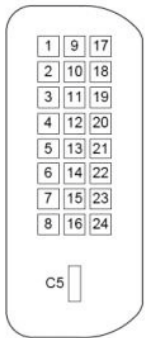
OSD Key Button	TBD
OSD Language	TBD

4. Environment

Storage Temperature	-20 ~ 60 °C
Operating Temperature	0 ~ 50 °C
Storage Humidity	10 ~ 85 %RH
Operating Humidity	10 ~ 85 %RH

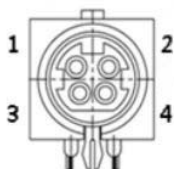
5. Cable Pin Configuration

● DVI Cable (DVI-D Connector)



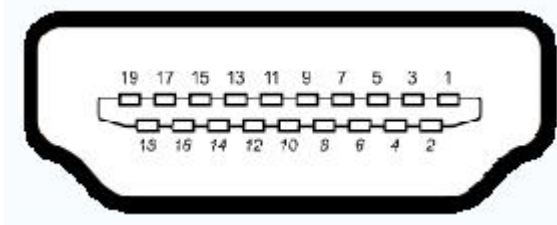
- | | | | |
|----|----------------------|----|----------------------|
| 1 | TMDS Data 2- | 14 | +5V |
| 2 | TMDS Data 2+ | 15 | Ground (for +5V) |
| 3 | TMDS Data 2/4 Shield | 16 | Hot Plug Detection |
| 4 | TMDS Data 4- | 17 | TMDS Data 0- |
| 5 | TMDS Data 4+ | 18 | TMDS Data 0+ |
| 6 | DDC Serial Clock | 19 | TMDS Data 0/5 Shield |
| 7 | DDC Serial Data | 20 | TMDS Data 5- |
| 8 | No Connect | 21 | TMDS Data 5+ |
| 9 | TMDS Data 1- | 22 | TMDS Clock Shield |
| 10 | TMDS Data 1+ | 23 | TMDS Clock + |
| 11 | TMDS Data 1/3 Shield | 24 | TMDS Clock - |
| 12 | TMDS Data 3- | C5 | Ground |
| 13 | TMDS Data 3+ | | |

● Power Input (DIN Jack, 4Pin)



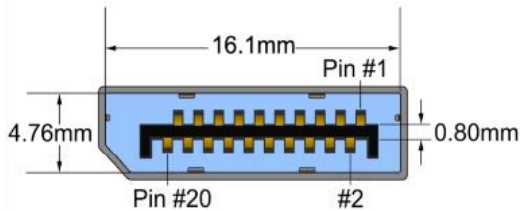
- | | |
|------|------|
| 1, 3 | +24V |
| 2, 4 | GND |

● HDMI Input



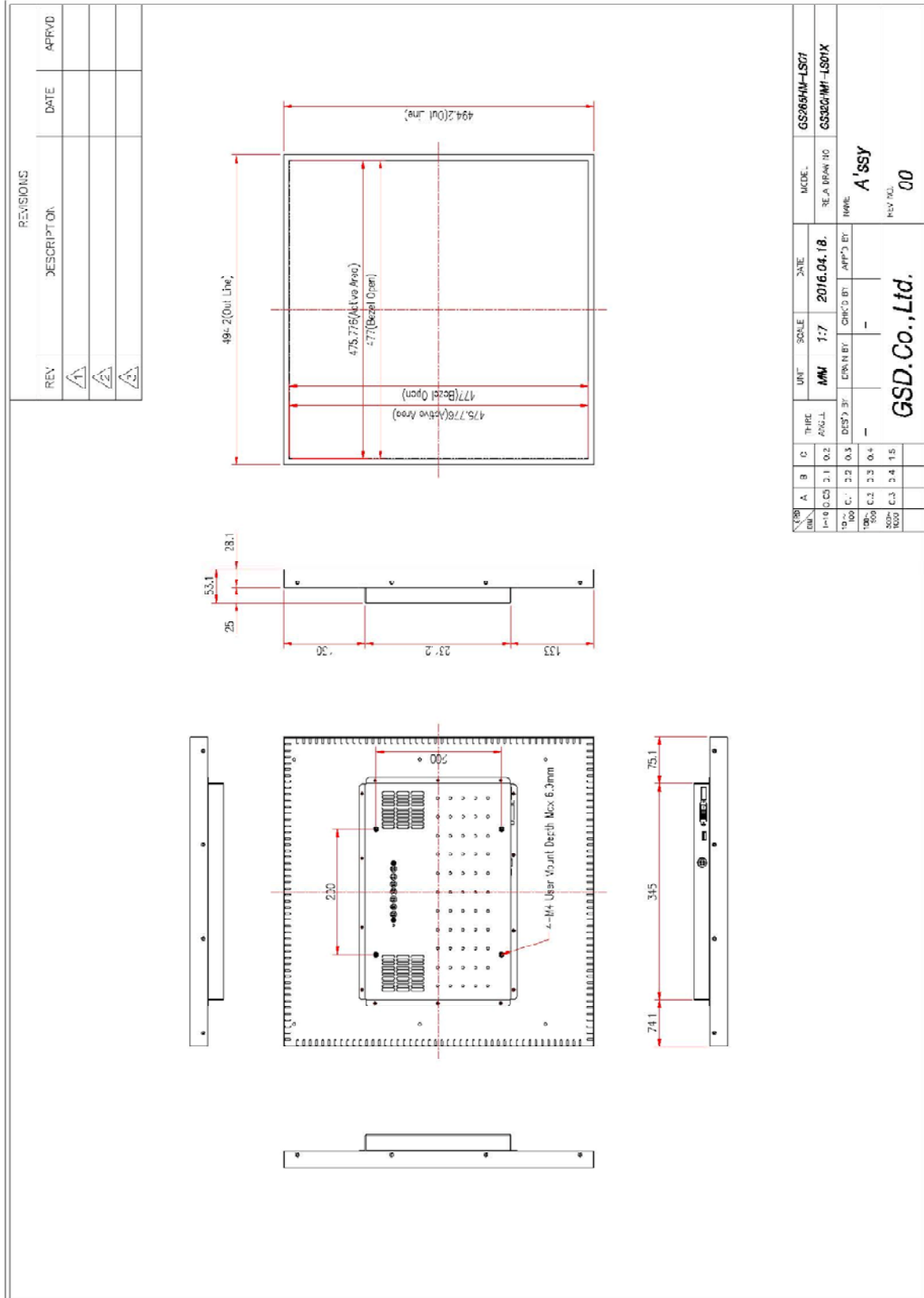
1	HDMI DATA2+	11	HDMI DATA Clock Shield
2	HDMI DATA2 Shield Cover	12	HDMI DATA Clock
3	HDMI DATA2-	13	(NC)
4	HDMI DATA1+	14	(NC)
5	HDMI DATA1 Shield Cover	15	DDC SCL
6	HDMI DATA1-	16	DDC SDA
7	HDMI DATA0+	17	GMD
8	HDMI DATA0 Shield Cover	18	+5V
9	HDMI DATA0	19	HPD
10	HDMI DATA Clock		

● DP Input

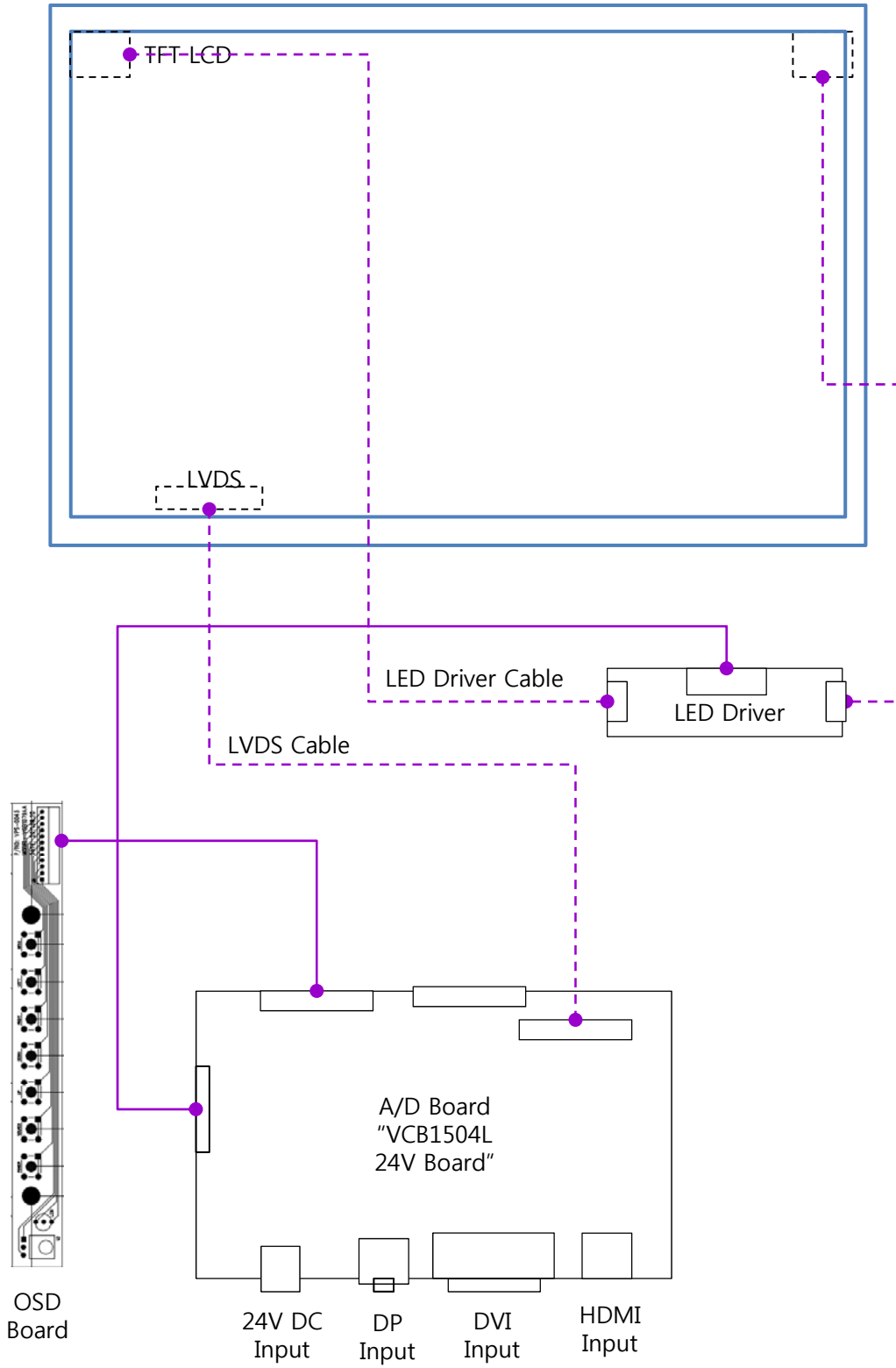


1	DP_RXN3N	11	GND
2	GND	12	DP_RXN1P
3	DP_RXN3P	13	GND
4	DP_RXN2N	14	GND
5	GND	15	DP_AUXP
6	DP_RXN2P	16	GND
7	DP_RXN1N	17	DP_AUXN
8	GND	18	Hot Plug Detect
9	DP_RXN1P	19	GND
10	DP_RXN0N	20	Connector Power(+3.3V)

6. Mechanical Specification



Appendix : Block Diagram



The Netherlands



Elektrostraat 17
NL-7483 PG Haaksbergen

T: +31 (0)53 573 33 33
F: +31 (0)53 573 33 30
E: nl@texim-europe.com

Belgium



Zuiderlaan 14 bus 10
B-1731 Zellik

T: +32 (0)2 462 01 00
F: +32 (0)2 462 01 25
E: belgium@texim-europe.com

UK & Ireland



St. Mary's House, Church Lane
Carlton Le Moorland
Lincoln LN5 9HS

T: +44 (0)1522 789 555
F: +44 (0)845 299 22 26
E: uk@texim-europe.com

Germany North



Bahnhofstrasse 92
D-25451 Quickborn

T: +49 (0)4106 627 07-0
F: +49 (0)4106 627 07-20
E: germany@texim-europe.com

Germany South



Martin-Kollar-Strasse 9
D-81829 München

T: +49 (0)89 436 086-0
F: +49 (0)89 436 086-19
E: germany@texim-europe.com

Austria



Warwitzstrasse 9
A-5020 Salzburg

T: +43 (0)662 216 026
F: +43 (0)662 216 026-66
E: austria@texim-europe.com

Nordic region



Sdr. Jagtvej 12
DK-2970 Hørsholm

T: +45 88 20 26 30
F: +45 88 20 26 39
E: nordic@texim-europe.com

General information



info@texim-europe.com
www.texim-europe.com