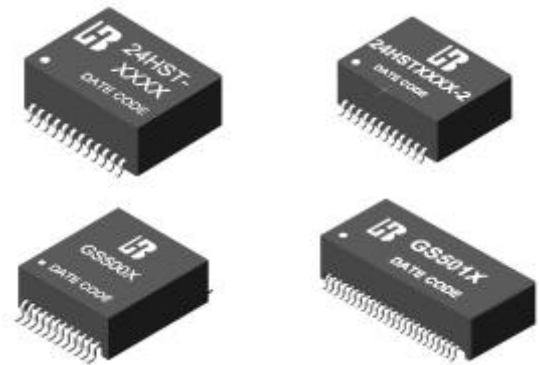


- Designed for long haul Gigabit Ethernet 1000 Base-T, Full Duplex applications
- Supports category 5 UTP cable
- Low common mode Emissions
- Compliant with IEEE 802.3ab standard for 1000 Base-T
- Operating temperature range: 0 to +70
- Storage temperature range: -25 to +125



Electrical Specifications @ 25

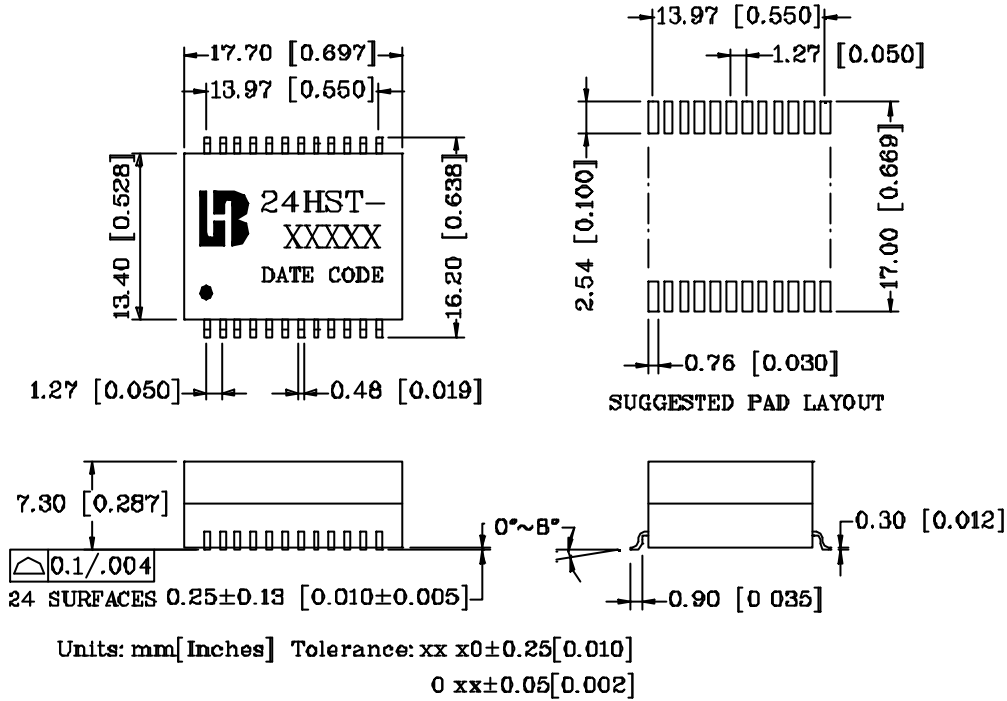
Part Number	Insertion Loss (dB Max)	Return Loss (dB Min @ Load 100)					Cross talk (dB Min)			DCMR (dB Min)		
		1~100MHz	1-30MHz	40MHz	50MHz	60-80MHz	100MHz	30MHz	60MHz	100MHz	30MHz	60MHz
24HST1041	-1.0	-18	-14.4	-13.1	-12	-10	-45	-40	-35	-43	-37	-33
24HST1041-2	-1.0	-18	-14.4	-13.1	-12	-10	-45	-40	-35	-43	-37	-33
24HST1041A	-1.0	-18	-14.4	-13.1	-12	-10	-45	-40	-35	-43	-37	-33
24HST1041A-2	-1.0	-18	-14.4	-13.1	-12	-10	-45	-40	-35	-43	-37	-33
24HST1041B	-1.0	-18	-14.4	-13.1	-12	-10	-45	-40	-35	-43	-37	-33
24HST1041C	-1.0	-18	-14.4	-13.1	-12	-10	-45	-40	-35	-43	-37	-33
GS5008	-1.0	-18	-14.4	-13.1	-12	-10	-45	-40	-35	-43	-37	-33
GS5009	-1.0	-18	-14.4	-13.1	-12	-10	-45	-40	-35	-43	-37	-33
GS5010	-1.0	-18	-14.4	-13.1	-12	-10	-45	-40	-35	-43	-37	-33
GS5014	-1.0	-18	-14.4	-13.1	-12	-10	-45	-40	-35	-43	-37	-33

Continue

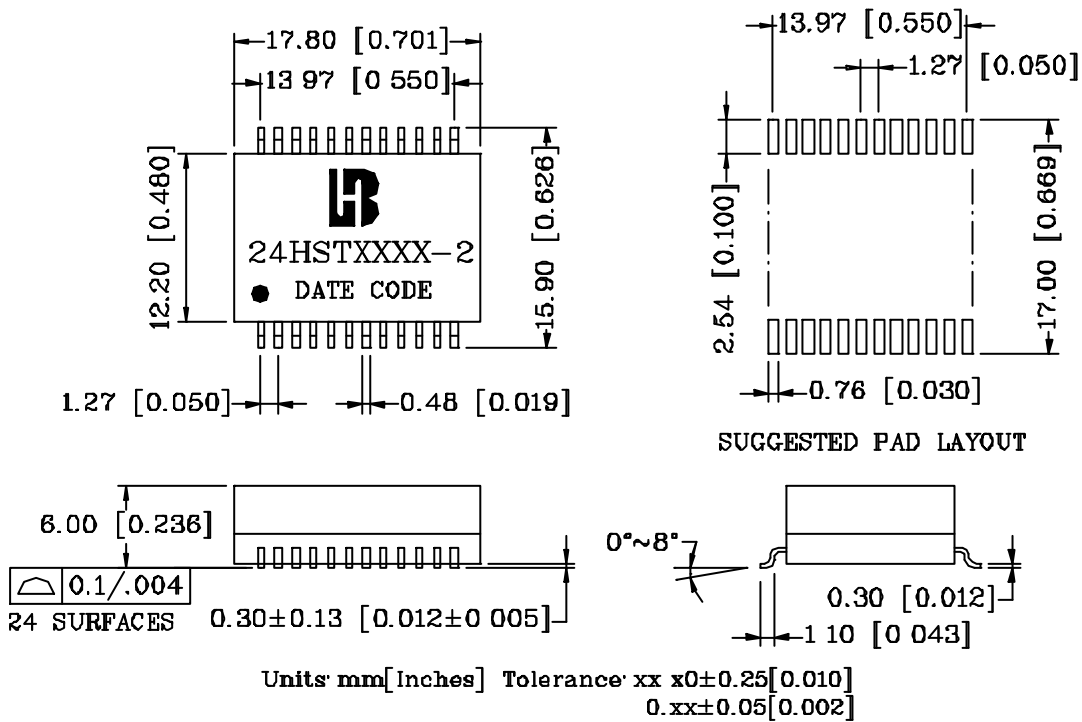
Part Number	Turns Ratio (±5%)		OCL(μH Min) @100KHz/0.1V with 8mA Bias	C _{w/w} (pF Max)	L.L (mH Max)	HI-POT	Insulation Resistance (MO)
	TX	RX					
24HST1041	1CT:1CT	1CT:1CT	350	28	0.5	1500	10000
24HST1041-2	1CT:1CT	1CT:1CT	350	-	-	1500	-
24HST1041A	1CT:1	1CT:1	350	28	0.5	1500	10000
24HST1041A-2	1CT:1	1CT:1	350	-	-	1500	-
24HST1041B	1CT:1	1CT:1	350	28	0.5	1500	10000
24HST1041C	1CT:1CT	1CT:1CT	350	28	0.5	1500	10000
GS5008	1CT:1	1CT:1	-	-	-	1500	-
GS5009	1CT:1CT	1CT:1CT	-	-	-	1500	-
GS5010	1CT:1CT	1CT:1CT	350	-	-	1500	-
GS5014	1CT:1CT	1CT:1CT	-	-	-	1500	-

Mechanicals

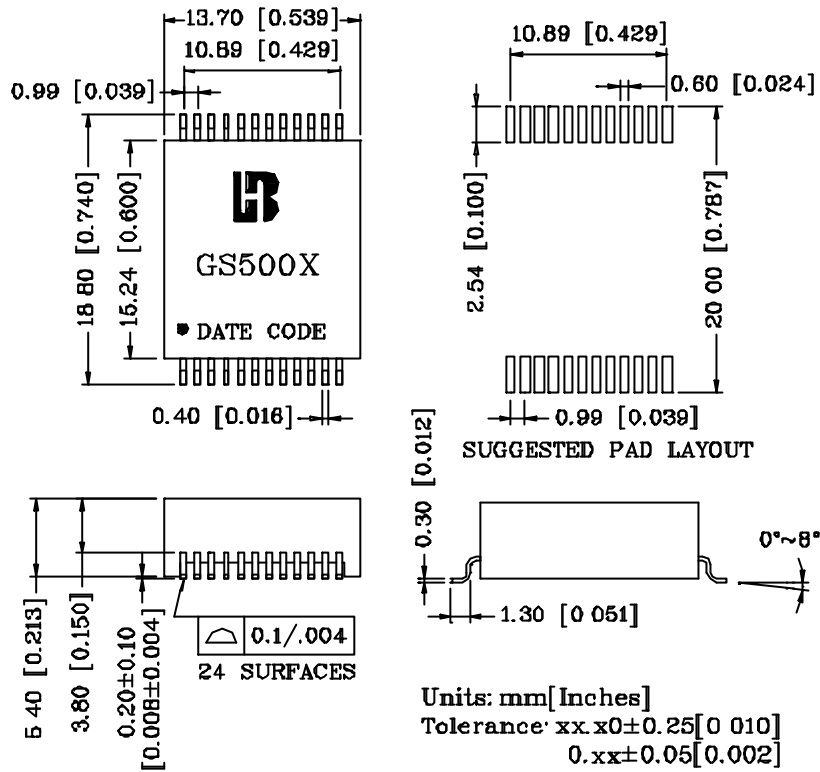
24HST1041 , 24HST1041A , 24HST1041C , 24HST1041B



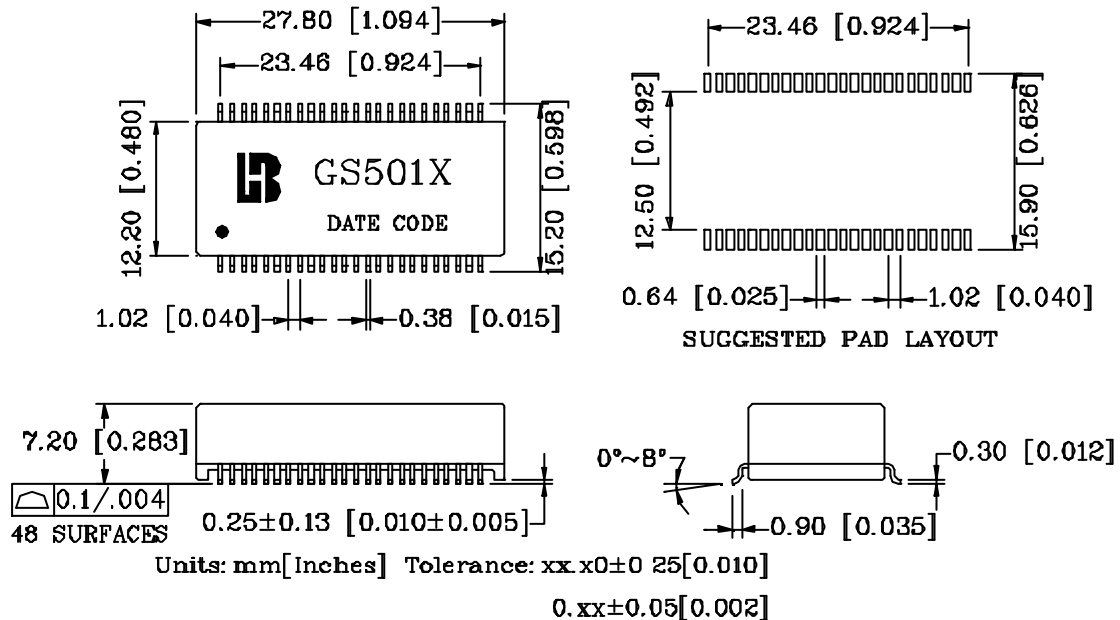
24HST1041-2 , 24HST1041A-2



GS5008 , GS5009

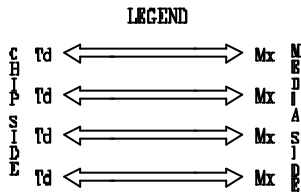
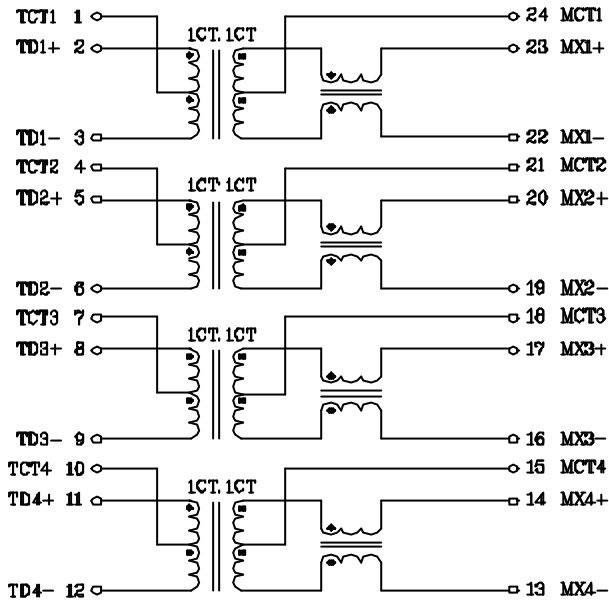


GS5012, GS5014

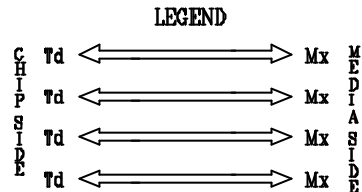
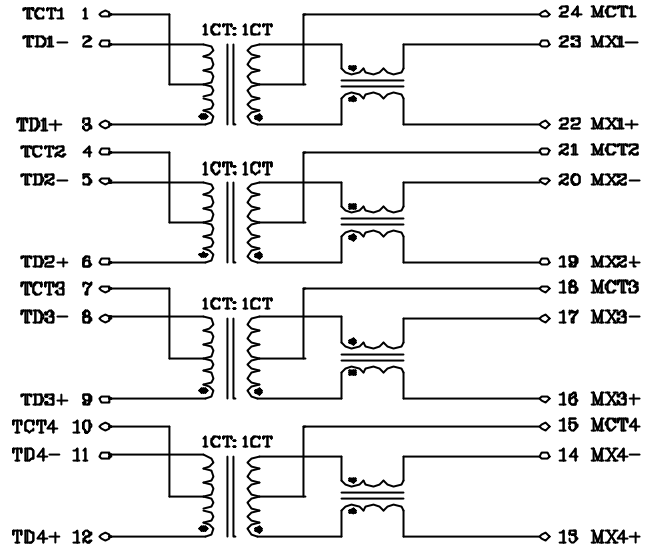


Schematics

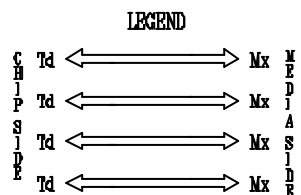
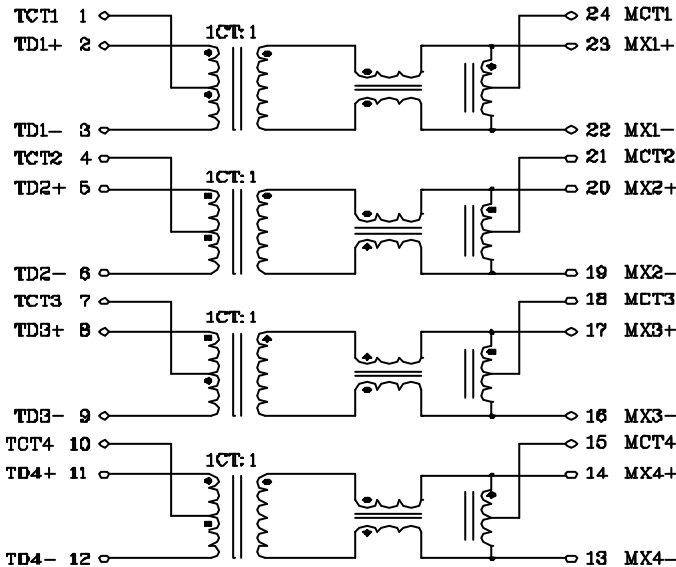
24HST1041



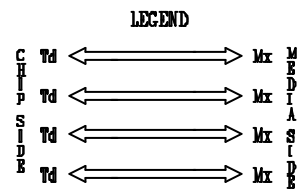
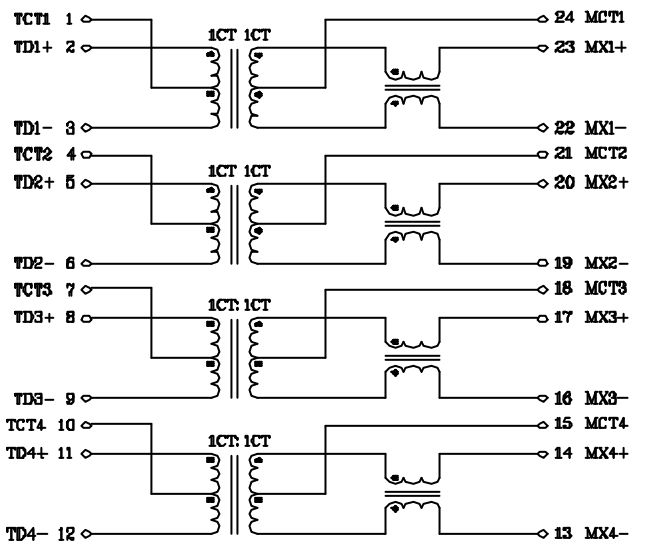
24HST1041-2



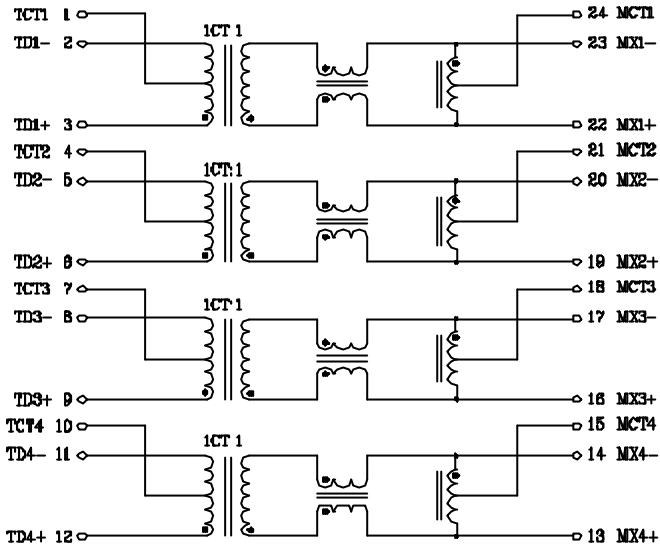
24HST1041A



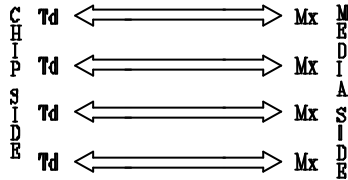
24HST1041C



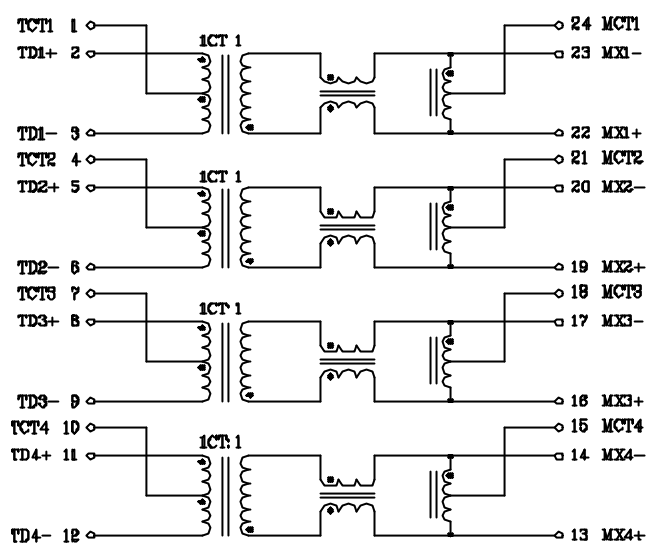
24HST1041A-2



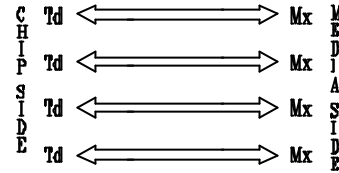
LEGEND



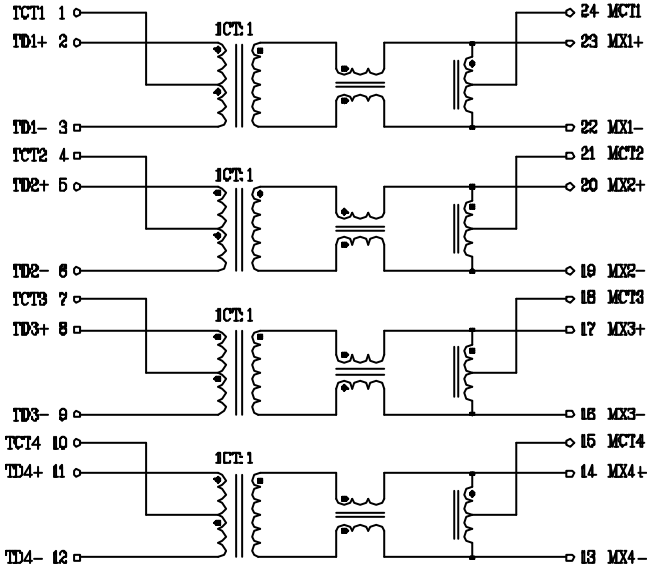
24HST1041B



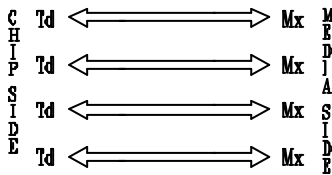
LEGEND



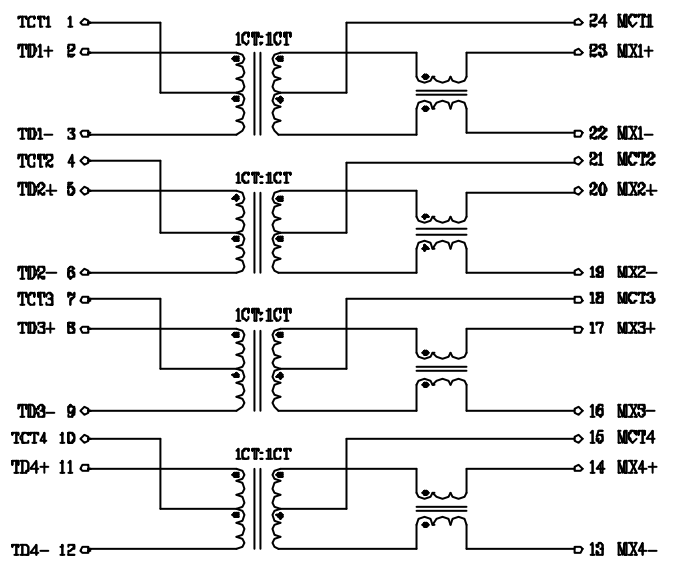
GS5008



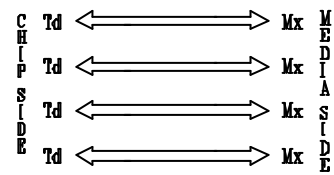
LEGEND



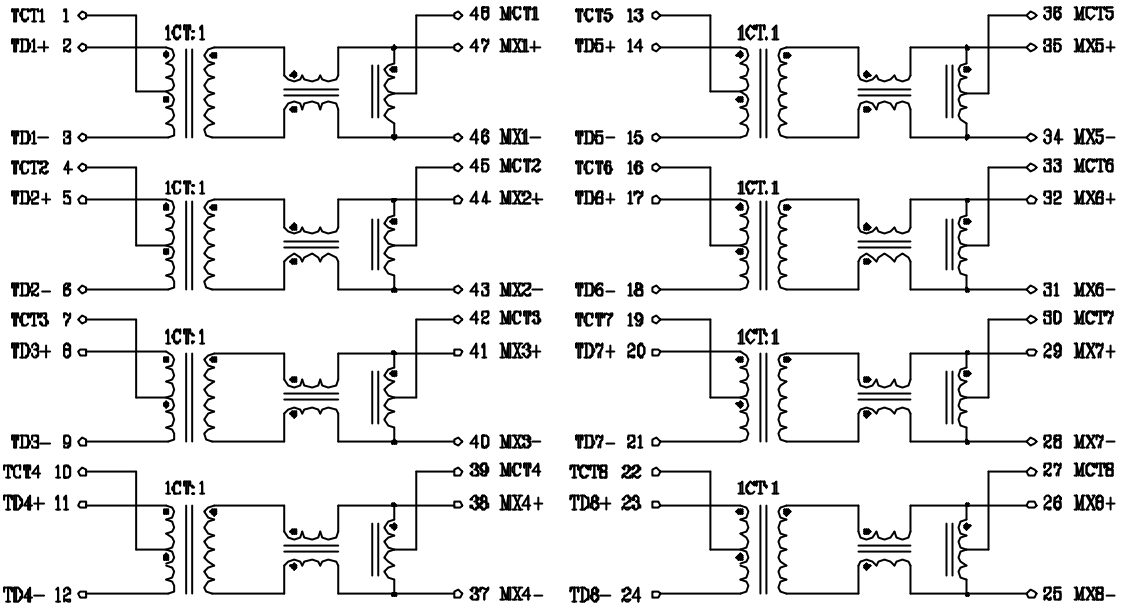
GS5009



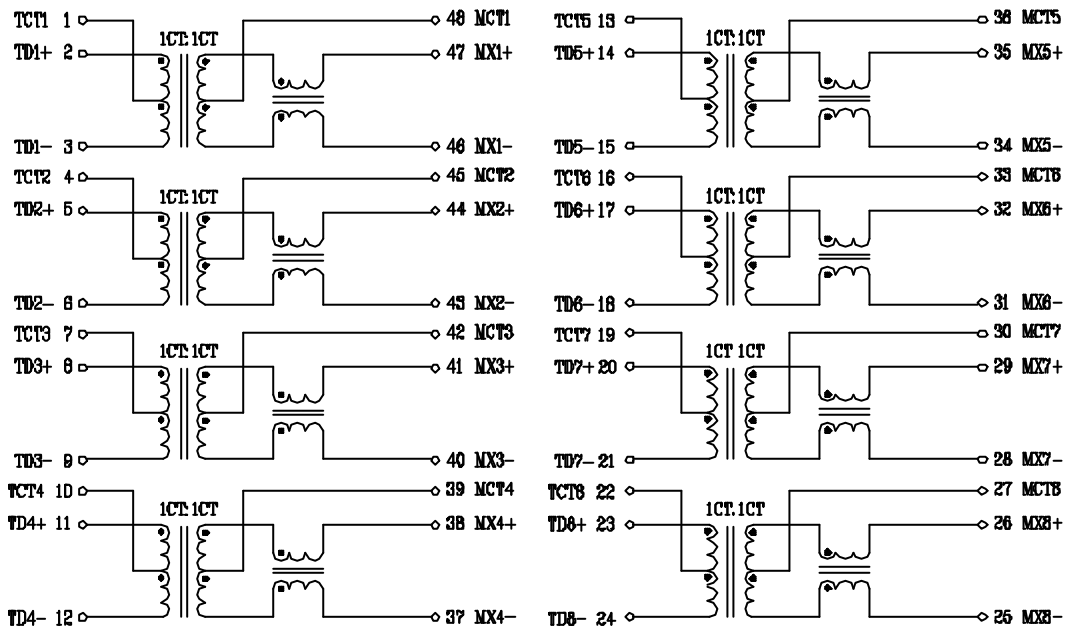
LEGEND



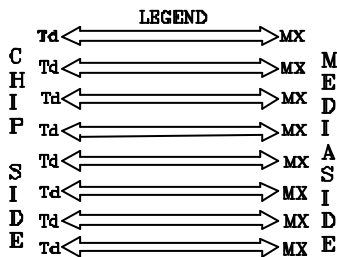
GS5012



GS5014



GS5012



GS5014

