

### Genum Products

---

### Key Features

- Supports data rates from 125Mb/s to 6.25Gb/s
- SMPTE ST 2081 (proposed), SMPTE ST 424, SMPTE ST 292, and SMPTE ST 259 compliant
- Automatic cable equalization
- Typical equalized length of Belden 1694A cable:
  - ◆ 80m at 5.94Gb/s
  - ◆ 210m at 2.97Gb/s
  - ◆ 300m at 1.485Gb/s
  - ◆ 500m at 270Mb/s
- Supports DVB-ASI at 270Mb/s
- Supports MADI at 125Mb/s
- Manual bypass control
- Programmable carrier detect with squelch threshold adjustment
- Automatic power-down on loss of signal
- Differential output supports DC-coupling from +1.2V to +3.3V CML logic
- Optional 6dB flat band gain on input
- Selectable output de-emphasis: 2dB, 6dB, and 8dB
- Standard EIA/JEDEC logic for control/status signals
- Single +3.3V power supply operation
- 180mW power consumption (35mW in sleep)
- Operating temperature range: -40°C to +85°C
- Small footprint QFN package (4mm x 4mm)
  - ◆ Footprint compatible with the GS2974A, GS2974B, GS2984, GS2994, and GS3440
- Pb-free and RoHS compliant

### Applications

- SMPTE ST 2081 (proposed), SMPTE ST 424, SMPTE ST 292, and SMPTE ST 259 coaxial cable serial digital interfaces
- Serialized 8b/10b encoded video streams up to 6.25Gb/s

### Description

The GS6042 is a high-speed BiCMOS device designed to optimally equalize and restore signals received over 75Ω coaxial cable.

The device supports data rates up to 6.25Gb/s while being optimized for the proposed SMPTE ST 2081, as well as SMPTE ST 424, SMPTE ST 292, and SMPTE ST 259.

The GS6042 features DC restoration to compensate for the DC content of SMPTE pathological signals.

The Carrier Detect output pin ( $\overline{CD}$ ) indicates whether an input signal has been detected. It can be connected directly to the SLEEP pin to enable automatic sleep on loss of input.

A  $\overline{CD}$  threshold is set via the SQ\_ADJ pin, allowing the GS6042 to distinguish between small amplitude SDI signals and noise at the input of the device.

The equalizing and DC restore stages are disengaged and no equalization occurs when the BYPASS pin is HIGH. This is useful for signals launched at the signal source with low data rates and/or slow rise/fall times.

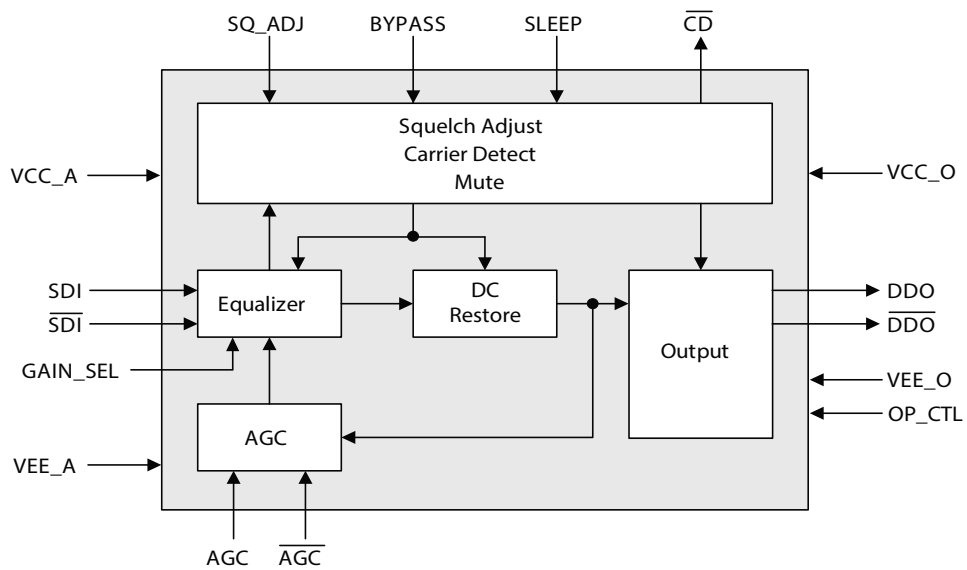
The GS6042 features a gain selection pin (GAIN\_SEL) which can be used to compensate for 6dB flat attenuation prior to the input of the device.

The differential output can be DC-coupled to Semtech's reclockers and cable drivers, as well as industry-standard CML logic by changing the voltage applied to the VCC\_O pin. In general, DC-coupling to any termination voltage between +1.2V and +3.3V is supported.

The GS6042 also features programmable output de-emphasis with three user-selectable operating levels to support long PCB traces at the output of the device.

Power consumption of the GS6042 is typically 180mW when its output is DC-coupled at +1.2V.

The GS6042 is Pb-free, and the encapsulation compound does not contain halogenated flame retardant. This component and all homogeneous subcomponents are RoHS compliant.



**GS6042 Functional Block Diagram**

## Revision History

Version	ECO	PCN	Date	Changes and/or Modifications
3	019547	—	May 2014	Corrected the values for the de-emphasis levels
2	017789	—	February 2014	Converted to Final Data Sheet. Modified <a href="#">Section 4.3</a> . Included reference to 6G SMPTE standard.
1	016407	—	November 2013	Converted to Final Data Sheet. Included information on 6.25G support. Updated Jitter characteristics. Updates throughout.
0	012658	—	June 2013	New document

---

# Contents

Key Features.....	1
Applications .....	1
Description .....	1
Revision History .....	2
1. Pin Out.....	4
1.1 GS6042 Pin Assignment .....	4
1.2 GS6042 Pin Descriptions .....	4
2. Electrical Characteristics.....	6
2.1 Absolute Maximum Ratings .....	6
2.2 DC Electrical Characteristics .....	6
2.3 AC Electrical Characteristics .....	8
3. Input/Output Circuits.....	10
4. Detailed Description.....	11
4.1 Serial Digital Inputs .....	11
4.2 Automatic (Adaptive) Cable Equalization .....	11
4.3 Differential Digital Data Output .....	11
4.4 Programmable Squelch Adjust (SQ_ADJ) .....	12
4.5 Carrier Detect, Sleep, and Auto-Sleep .....	13
4.6 GAIN_SEL .....	13
4.7 Adjustable Output Swing, De-emphasis, and Mute .....	14
5. Application Information.....	16
5.1 High-Gain Adaptive Cable Equalizers .....	16
5.2 PCB Layout .....	16
5.3 Typical Application Circuit .....	17
6. Package & Ordering Information .....	18
6.1 Package Dimensions .....	18
6.2 Packaging Data .....	18
6.3 Recommended PCB Footprint .....	19
6.4 Marking Diagram .....	19
6.5 Solder Reflow Profiles .....	20
6.6 Ordering Information .....	20

# 1. Pin Out

## 1.1 GS6042 Pin Assignment

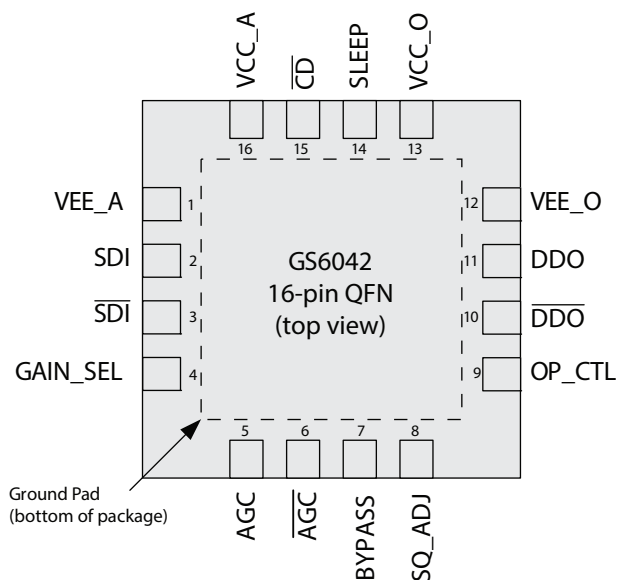


Figure 1-1: GS6042 Pin Out

## 1.2 GS6042 Pin Descriptions

Table 1-1: GS6042 Pin Descriptions

Pin Number	Name	Type	Description
1	VEE_A	Power	Most negative power supply connection for the input buffer, core, and control circuits. Connect to ground.
2, 3	SDI, $\overline{\text{SDI}}$	Input	Serial digital differential input.
4	GAIN_SEL	Input	Flat Band Gain Control. Please refer to the <a href="#">DC Electrical Characteristics</a> table for logic level threshold and compatibility. This pin is a +2.5V input that is tolerant to +3.3V levels. When HIGH, the device compensates for an additional 6dB of loss across the entire operating band. This pin has an internal pull-down resistor.
5, 6	AGC, $\overline{\text{AGC}}$	—	External AGC capacitor connection.
7	BYPASS	Input	EQ Bypass Control. Please refer to the <a href="#">DC Electrical Characteristics</a> table for logic level threshold and compatibility. This pin is a +2.5V input that is tolerant to +3.3V levels. Forces the equalizer and DC-restore stages into Bypass mode when HIGH. No equalization occurs in this mode. This pin has an internal pull-down resistor.

**Table 1-1: GS6042 Pin Descriptions (Continued)**

Pin Number	Name	Type	Description
8	SQ_ADJ	Input	<p>Squelch Threshold Adjust.</p> <p>Adjusts the input signal amplitude threshold of the carrier detect function. The serial data output of the device can be muted when the serial data input signal amplitude is too low by connecting the <math>\overline{\text{CD}}</math> and OP_CTL pins using a suitable resistor network (see <a href="#">Figure 4-4</a> and <a href="#">Figure 4-5</a>).</p> <p>This pin has an internal pull-down resistor.</p> <p><b>Note:</b> The SQ_ADJ function is only available when the device is not configured for auto-sleep mode. Reference <a href="#">Section 4.5</a> for more detail.</p>
9	OP_CTL	Input	<p>Output Swing, De-emphasis and Mute Control.</p> <p>When this pin is connected to GND, the output swing is 850mV<sub>ppd</sub> with no de-emphasis applied to the output signal.</p> <p>With this pin connected to +2.5V, the output is muted.</p> <p>Intermediate voltages and functions are shown in <a href="#">Table 4-5</a>. These voltages can be achieved as shown in <a href="#">Figure 4-4</a> and <a href="#">Figure 4-5</a>.</p> <p>This pin has an internal pull-down resistor.</p>
10, 11	$\overline{\text{DDO}}$ , DDO	Output	Serial digital differential output.
12	VEE_O	Power	Most negative power supply connection for the output buffer. Connect to ground.
13	VCC_O	Power	Most positive power supply connection for the output buffer. Connect to 1.2V - 3.3V DC.
14	SLEEP	Input	<p>SLEEP Control.</p> <p>Please refer to the <a href="#">DC Electrical Characteristics</a> table for logic level threshold and compatibility. This pin is a +2.5V input that is tolerant to +3.3V levels.</p> <p>When HIGH the part is powered-down except for the Carrier Detect function.</p> <p>This pin can be connected directly to the <math>\overline{\text{CD}}</math> pin to automatically put the device to sleep (low-power operation) on loss of carrier.</p> <p>This pin has an internal pull-down resistor.</p> <p><b>Note:</b> When SLEEP is connected to <math>\overline{\text{CD}}</math> for automatic power reduction on loss of carrier, the SQ_ADJ pin will not modify the <math>\overline{\text{CD}}</math> threshold. The <math>\overline{\text{CD}}</math> threshold will revert to the default value used when SQ_ADJ is pulled LOW.</p>
15	$\overline{\text{CD}}$	Output	<p>Carrier Detect Status Output.</p> <p>Please refer to the <a href="#">DC Electrical Characteristics</a> table for logic level threshold and compatibility. This pin is a +2.5V output.</p> <p>Indicates presence of an input signal. When the <math>\overline{\text{CD}}</math> pin is LOW, a signal has been detected at the input. When this pin is HIGH, this indicates loss of input signal.</p>
16	VCC_A	Power	Most positive power supply connection for the input buffer, core and control circuits. Connect to +3.3V DC.
—	Center Pad	Power	Internally bonded to VEE_A. Connect to GND with at least 5 vias.

## 2. Electrical Characteristics

### 2.1 Absolute Maximum Ratings

**Table 2-1: Absolute Maximum Ratings**

Parameter	Value
Supply Voltage - Core/Output Driver	-0.5V to +3.6V DC
Input ESD Voltage (HBM)	5kV
Storage Temperature Range (T <sub>stg</sub> )	-50°C to +125°C
Input Voltage Range (any input)	-0.3 to (V <sub>CC_A</sub> + 0.3)V
Operating Temperature Range	-40°C to +85°C
Solder Reflow Temperature	260°C

**Note:** Absolute Maximum Ratings are those values beyond which damage may occur. Functional operation outside of the ranges shown in the AC and DC Electrical Characteristics is not guaranteed.

### 2.2 DC Electrical Characteristics

**Table 2-2: DC Electrical Characteristics**

V<sub>CC\_A</sub> = +3.3V ±5%, T<sub>A</sub> = -40°C to +85°C, unless otherwise shown.

Parameter	Symbol	Conditions	Min	Typ	Max	Units	Notes
Supply Voltage - Core	V <sub>CC_A</sub>	—	3.135	3.3	3.465	V	—
		—	1.14	1.2	1.26	V	1
Supply Voltage - Output Driver	V <sub>CC_O</sub>	—	2.375	2.5	2.625	V	1
		—	3.135	3.3	3.465	V	1

**Table 2-2: DC Electrical Characteristics (Continued)**

$V_{CC\_A} = +3.3V \pm 5\%$ ,  $T_A = -40^\circ C$  to  $+85^\circ C$ , unless otherwise shown.

Parameter	Symbol	Conditions	Min	Typ	Max	Units	Notes
Power Consumption	$P_D$	$V_{CC\_O} = 1.2V$ $\Delta V_{DDO} = 425mV_{ppd}$	—	180	—	mW	2
		$V_{CC\_O} = 1.2V$ $\Delta V_{DDO} = 850mV_{ppd}$	—	195	—	mW	2
		$V_{CC\_O} = 2.5V$ $\Delta V_{DDO} = 425mV_{ppd}$	—	196	—	mW	2
		$V_{CC\_O} = 2.5V$ $\Delta V_{DDO} = 850mV_{ppd}$	—	221	—	mW	2
		$V_{CC\_O} = 3.3V$ $\Delta V_{DDO} = 425mV_{ppd}$	—	202	—	mW	2
		$V_{CC\_O} = 3.3V$ $\Delta V_{DDO} = 850mV_{ppd}$	—	240	—	mW	2
		Sleep Mode SLEEP = HIGH	—	35	—	mW	—
Supply Current - Core	$I_s$	—	—	55	—	mA	2, 3
Supply Current - Output Driver	$I_{Out}$	$\Delta V_{DDO} = 850mV_{ppd}$	—	20	—	mA	2
		$\Delta V_{DDO} = 425mV_{ppd}$	—	10	—	mA	2
Input Common Mode Voltage	$V_{CMIN}$	—	—	1.7	—	V	—
Output Common Mode Voltage	$V_{CMOUT}$	Refer to <a href="#">Section 4.3</a>					
$\overline{CD}$ Output Voltage Logic Levels	$V_{\overline{CD}(OH)}$	Signal not present	2.0	—	—	V	—
	$V_{\overline{CD}(OL)}$	Signal present	—	—	0.4	V	—
Input Voltage Logic Levels: GAIN_SEL, BYPASS, SLEEP	$V_{IH}$	Minimum to assert	1.7	—	—	V	4
	$V_{IL}$	Maximum to de-assert	—	—	0.7	V	4

**Notes:**

1.  $V_{CC\_O}$  operates from +1.2V through +3.3V (+/-5%).
2. De-emphasis off.
3. An additional 3mA when de-emphasis is enabled.
4. GAIN\_SEL, BYPASS, SLEEP pins are +2.5V, but +3.3V tolerant.

## 2.3 AC Electrical Characteristics

**Table 2-3: AC Electrical Characteristics**

$V_{CC\_A} = +3.3V \pm 5\%$ ,  $T_A = -40^\circ C$  to  $+85^\circ C$ , unless otherwise shown

Parameter	Symbol	Conditions	Min	Typ	Max	Units	Notes
Serial input Data Rate	$DR_{DDO}$	—	125	—	6250	Mb/s	1
Input Voltage Swing	$\Delta V_{SDI}$	Differential, 270Mb/s and 1.485Gb/s	720	800	950	mV <sub>ppd</sub>	2
		Differential, 2.97Gb/s and 5.94Gb/s	720	800	880	mV <sub>ppd</sub>	2
Output Voltage Swing	$\Delta V_{DDO}$	100 $\Omega$ differential load, OP_CTL set for high swing	700	850	1000	mV <sub>ppd</sub>	—
		100 $\Omega$ differential load, OP_CTL set for low swing	350	425	500	mV <sub>ppd</sub>	—
Output Jitter at Various Cable Lengths and Data Rates		6.25Gb/s Belden 1694A: 0-50m	—	0.35	—	UI	4, 5
		5.94Gb/s Belden 1694A: 0-80m	—	0.35	0.5	UI	4, 5
		2.97Gb/s Belden 1694A: 0-100m	—	—	0.2	UI	3, 4, 5
		2.97Gb/s Belden 1694A: 100-150m	—	—	0.3	UI	3, 4, 5
		2.97Gb/s Belden 1694A: 150-170m	—	—	0.4	UI	3, 4, 5
		2.97Gb/s Belden 1694A: 170-200m	—	—	0.5	UI	3, 4, 5
		2.97Gb/s Belden 1694A: 210m	—	0.5	—	UI	4, 5
		1.485Gb/s Belden 1694A: 0-200m	—	—	0.2	UI	3, 4, 5
		1.485Gb/s Belden 1694A: 200-260m	—	—	0.3	UI	3, 4, 5
		1.485Gb/s Belden 1694A: 260-300m	—	0.3	—	UI	4, 5
		270Mb/s Belden 1694A: 0-300m	—	0.1	0.15	UI	3, 4, 5
		270Mb/s Belden 1694A: 300-500m	—	—	0.25	UI	3, 4, 5



**Table 2-3: AC Electrical Characteristics (Continued)**

$V_{CC\_A} = +3.3V \pm 5\%$ ,  $T_A = -40^\circ C$  to  $+85^\circ C$ , unless otherwise shown

Parameter	Symbol	Conditions	Min	Typ	Max	Units	Notes
Output Rise/Fall time	$t_r, t_f$	5.94Gb/s, 2.97Gb/s, and 1.485Gb/s 20% - 80%	—	75	—	ps	—
		270Mb/s 20% - 80%	—	150	—	ps	—
Mismatch in Rise/Fall time	$\Delta t_r, \Delta t_f$	—	—	—	30	ps	—
Duty Cycle Distortion		—	—	—	30	ps	—
Overshoot		—	—	—	10	%	—
Input Return Loss		5MHz - 1.485GHz	15	—	—	dB	—
		1.485GHz - 2.97GHz	10	—	—	dB	—
Input Resistance		single-ended	—	1.9	—	k $\Omega$	—
Input Capacitance		single-ended	—	1.3	—	pF	—
Output Resistance		single-ended	—	50	—	$\Omega$	—

**Notes:**

1. Device performance is optimized for standard data rates (SD = 270Mb/s, HD = 1.485Gb/s, 3G = 2.970Gb/s, 6G = 5.94Gb/s).
2. 0m cable length.
3. All parts are production tested. In order to guarantee maximum jitter over the full range of specification ( $V_{CC\_A} = +3.3V \pm 5\%$ ,  $T_A = -40^\circ C$  to  $+85^\circ C$ , and 720-880mV<sub>pp</sub> launch swing from the SDI cable driver), the recommended applications circuit must be used.
4. Based on validation data using the recommended applications circuit, with  $V_{CC\_A} = +3.3V$ ,  $T_A = -40^\circ C$  to  $+85^\circ C$  and 800mV<sub>pp</sub> launch swing from the SDI cable driver.
5. GAIN\_SEL = 0.

# 3. Input/Output Circuits

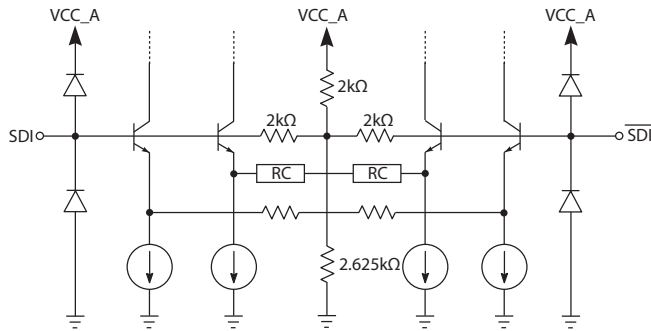


Figure 3-1: Input Circuit

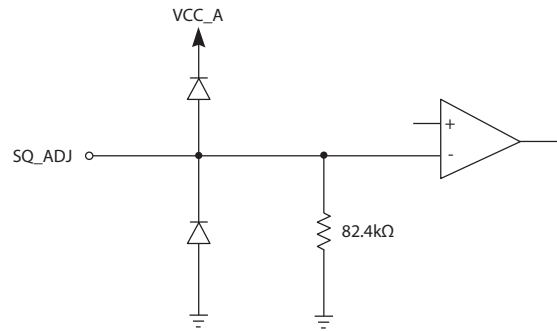


Figure 3-2: SQ\_ADJ Circuit

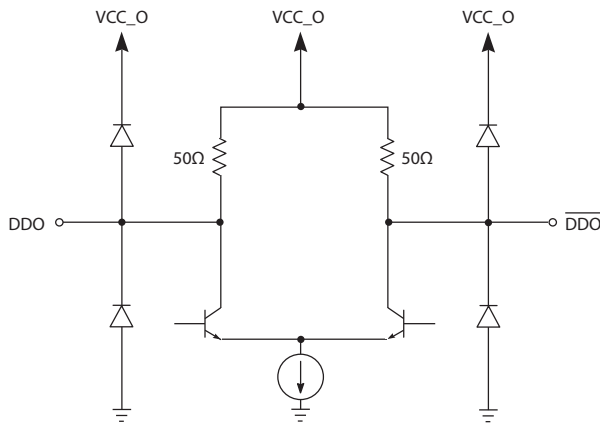


Figure 3-3: Output Circuit

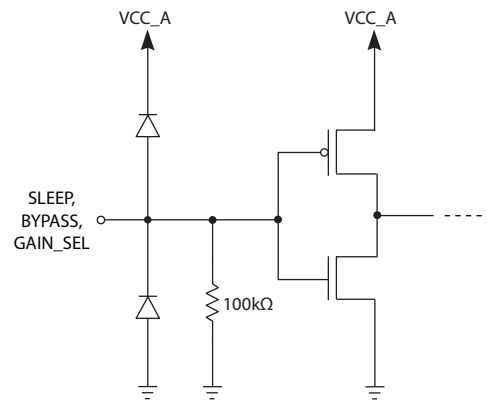


Figure 3-4: SLEEP, BYPASS, and GAIN\_SEL Circuits

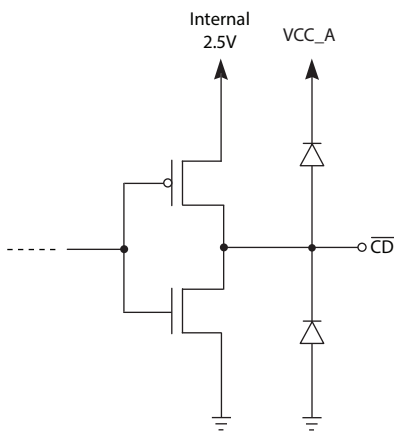


Figure 3-5: CD Circuit

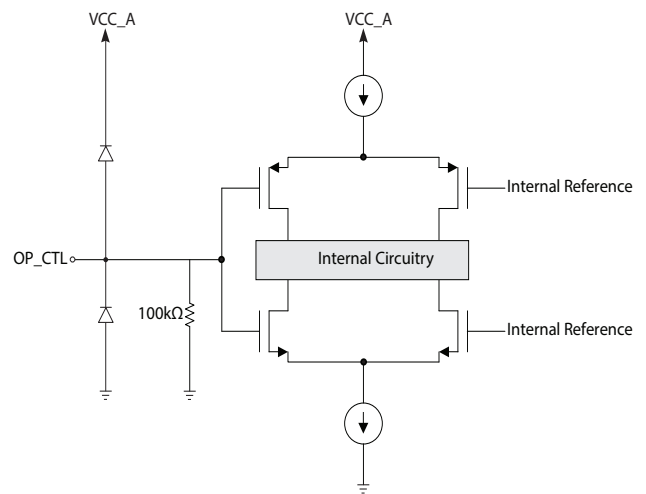


Figure 3-6: OP\_CTL

---

## 4. Detailed Description

The GS6042 is a high-speed BiCMOS IC designed to automatically equalize high-bandwidth serial digital video signals.

The GS6042 can equalize data rates up to 6.25Gb/s including 6G UHD-SDI, 3G SDI, HD SDI, and SD SDI serial digital signals. The GS6042 is optimized to equalize up to 80m of Belden 1694A cable at 5.94Gb/s (UHD-SDI), 210m at 2.97Gb/s (3G-SDI), 300m at 1.485Gb/s (HD-SDI), and 500m at 270Mb/s (SD-SDI).

The GS6042 can be powered from a single +3.3V DC power supply, and is footprint-compatible with Semtech's GS2974A, GS2974B, GS2984, GS2994, and GS3440 equalizers.

### 4.1 Serial Digital Inputs

The received serial data signal is connected to the input pins ( $SDI/\overline{SDI}$ ) in either a differential or single-ended configuration. AC-coupling of the inputs is recommended because the SDI and  $\overline{SDI}$  inputs are internally biased to approximately 1.71V.

See [Figure 5-1](#) for the recommended input applications circuit when using a single-ended 75Ω coax cable.

### 4.2 Automatic (Adaptive) Cable Equalization

The input signal passes through a variable gain equalizing stage, whose frequency response closely matches the inverse of the Belden 1694A cable loss characteristic for any given attached cable length within the supported ranges.

The equalized signal is DC-restored, effectively restoring the logic threshold of the equalized signal to its correct level independent of shifts due to AC-coupling.

### 4.3 Differential Digital Data Output

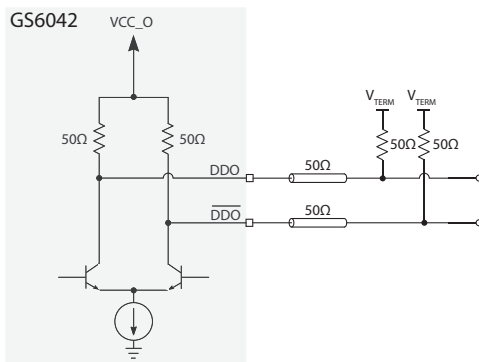
The digital data output signals ( $DDO/\overline{DDO}$ ) have a nominal output voltage swing of either 850mV<sub>ppd</sub> or 425mV<sub>ppd</sub> ( $\Delta V_{DDO}$ ), as set by the OP\_CTL pin. [Table 4-1](#) shows the typical output common mode voltage levels ( $V_{CMOUT}$ ) related to the two output swing options and the type of output transmission termination as shown in [Figure 4-1](#) and [Figure 4-2](#).

**Table 4-1: Typical Common Mode Output Voltage Levels ( $V_{CMOUT}$ )**

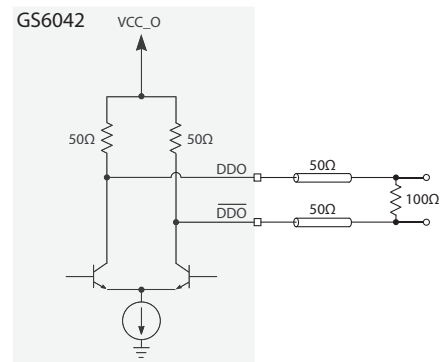
Supply Voltage ( $V_{CC\_O}$ )	Termination Type 1 (See Figure 4-1) (See 1)		Termination Type 2 (See Figure 4-2)	
	425mV <sub>ppd</sub> Swing	850mV <sub>ppd</sub> Swing	425mV <sub>ppd</sub> Swing	850mV <sub>ppd</sub> Swing
3.3V	3.19V	3.09V	3.09V	2.88V
2.5V	2.39V	2.29V	2.29V	2.08V
1.8V	1.69V	1.59V	1.59V	1.38V
1.2V	1.09V	0.99V	0.99V	0.78V

**Note:**

1. The values shown for termination type 1 only apply when  $V_{TERM} = V_{CC\_O}$



**Figure 4-1: 50Ω Termination to  $V_{TERM}$**



**Figure 4-2: 100Ω Parallel Output Termination**

## 4.4 Programmable Squelch Adjust (SQ\_ADJ)

The GS6042 features a programmable Squelch Adjust (SQ\_ADJ) threshold.

This feature can be useful in applications where there are multiple input channels using the GS6042 and the maximum gain of each device must be limited to avoid crosstalk.

The SQ\_ADJ pin acts to change the threshold of the Carrier Detect ( $\overline{CD}$ ) pin. When the input signal level drops below the threshold set by SQ\_ADJ, the  $\overline{CD}$  pin will be driven HIGH, indicating that there is not a valid input signal.

This feature has been designed for use in applications such as routers, where signal crosstalk and circuit noise cause the equalizer to output erroneous data when no input signal is present. The use of a Carrier Detect function with a fixed internal reference does not solve this problem since the signal-to-noise ratio on the circuit board could be significantly less than the default signal detection level set by the on-chip reference.

In applications where programmable squelch adjust is not required, the SQ\_ADJ pin can be left unconnected.

**Note:** When using SQ\_ADJ to limit the maximum gain of the GS6042,  $\overline{CD}$  should not be connected to SLEEP.

## 4.5 Carrier Detect, Sleep, and Auto-Sleep

The Carrier Detect output pin ( $\overline{CD}$ ) indicates the presence of a valid signal at the input of the GS6042. When  $\overline{CD}$  is LOW, the device has detected a valid input on SDI/ $\overline{SDI}$ . When  $\overline{CD}$  is HIGH, the device considers the input invalid.

**Note 1:**  $\overline{CD}$  will only detect loss of signal for data rates greater than 19Mb/s.

**Note 2:** If SQ\_ADJ is being used to limit the maximum gain of the device, and the maximum cable length is exceeded, the  $\overline{CD}$  pin will be set to HIGH even if an input is present.

**Table 4-2:  $\overline{CD}$  Output**

$\overline{CD}$	Input Status
0	Valid input on SDI/ $\overline{SDI}$ pins
1	Input is not valid

The GS6042 also includes a SLEEP input pin, which can be used to put the device into a low-power sleep mode. In this mode, the outputs are high impedance and will be pulled high by the on-chip termination. Set the SLEEP pin HIGH to place the chip in this low-power state. In this mode, the Carrier Detect output will still function to facilitate the detection of a valid serial input data signal.

Auto-Sleep is enabled by connecting  $\overline{CD}$  to SLEEP. When connected, the GS6042 will automatically go into low-power sleep mode when there is a loss of input signal.

**Note 3:** If the  $\overline{CD}$  pin is connected to the SLEEP pin, SQ\_ADJ must be either left open, or connected to ground.

**Table 4-3: SLEEP Input**

SLEEP	Function
0	Normal operation
1	Low-power sleep mode; $\overline{CD}$ output remains valid

## 4.6 GAIN\_SEL

The GS6042 provides the option of compensating for 6dB of flat attenuation prior to the equalizer.

**Table 4-4: GAIN\_SEL Input Table**

GAIN_SEL	Function
0	No flat band gain is applied
1	6dB of flat band gain applied to input signal

## 4.7 Adjustable Output Swing, De-emphasis, and Mute

The OP\_CTL input pin determines the output swing and de-emphasis settings for DDO and  $\overline{DDO}$ .

The OP\_CTL pin is an analog input, allowing different combinations of output swing, de-emphasis, and mute. The possible values are listed in Table 4-5.

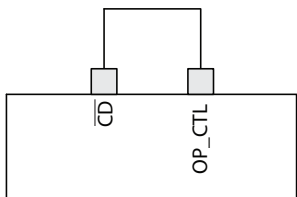
**Table 4-5: OP\_CTL Functions and Levels**

Level	Swing	De-emphasis	Mute	Voltage (V)
0	850mV <sub>ppd</sub>	Off	N	0.000 - 0.083
1	850mV <sub>ppd</sub>	2dB	N	0.234 - 0.394
2	850mV <sub>ppd</sub>	6dB	N	0.545 - 0.704
3	850mV <sub>ppd</sub>	8dB	N	0.856 - 1.015
4	425mV <sub>ppd</sub>	Off	N	1.166 - 1.333
5	425mV <sub>ppd</sub>	2dB	N	1.484 - 1.644
6	425mV <sub>ppd</sub>	6dB	N	1.795 - 1.954
7	425mV <sub>ppd</sub>	8dB	N	2.106 - 2.265
8	425mV <sub>ppd</sub>	N/A	Y	2.416 - 2.500

When muted, the output swing is set to 425mV<sub>ppd</sub> and the outputs are latched.

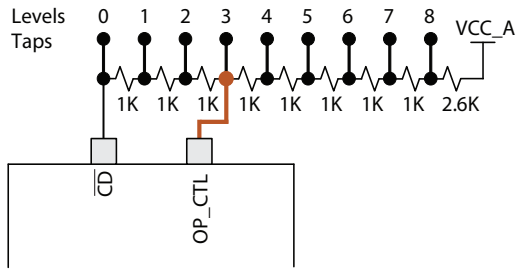
Automatic muting of the output can be enabled by connecting the  $\overline{CD}$  pin to the OP\_CTL pin.

If the connection is made directly, as shown in Figure 4-3, the output would be in its default mode (850mV<sub>ppd</sub> swing with no de-emphasis) when there is signal present.

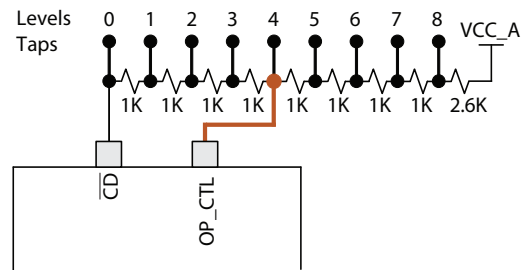


**Figure 4-3: Direct Loopback**

To enable automatic muting while the output is configured for other settings, a resistor network can be used between  $\overline{CD}$  and VCC\_A. The intermediate voltages of this resistor ladder can set the output to any one of the nine different settings as shown in the examples given in Figure 4-4 and Figure 4-5.



**Figure 4-4: Resistor Divider Loopback Example #1  
(Function Level 3 from Table 4-5)**



**Figure 4-5: Resistor Divider Loopback Example #2  
(Function Level 4 from Table 4-5)**

In Figure 4-4, the automatic muting of the output is established by connecting node 3 to the OP\_CTL pin. In this scenario, the output would be  $850\text{mV}_{\text{ppd}}$  with 8dB of de-emphasis when there is a signal present.

In Figure 4-5, the OP\_CTL pin is connected to node 4. In this scenario, the output would be  $425\text{mV}_{\text{ppd}}$  with no de-emphasis when there is a signal present.

In both cases, the output would be muted when no carrier is detected.

**Note:** When the device is in SLEEP mode, automatic muting and SQ\_ADJ do not function. Asserting the SLEEP pin manually overrides all other functionality.

---

## 5. Application Information

### 5.1 High-Gain Adaptive Cable Equalizers

The GS6042 is a multi-rate Adaptive Cable Equalizer. In order to extend the cable lengths that the device can support, it is necessary to have high-gain in the equalizer.

In particular, an SDI video cable equalizer must provide wide band gain over a range of frequencies in order to accommodate the range of data rates and signal patterns that are present in a SMPTE-compliant serial video stream.

Small levels of signal or noise present at the input pins of the equalizer may cause chatter at the output. In order to prevent this from happening, particular attention must be paid to board layout.

### 5.2 PCB Layout

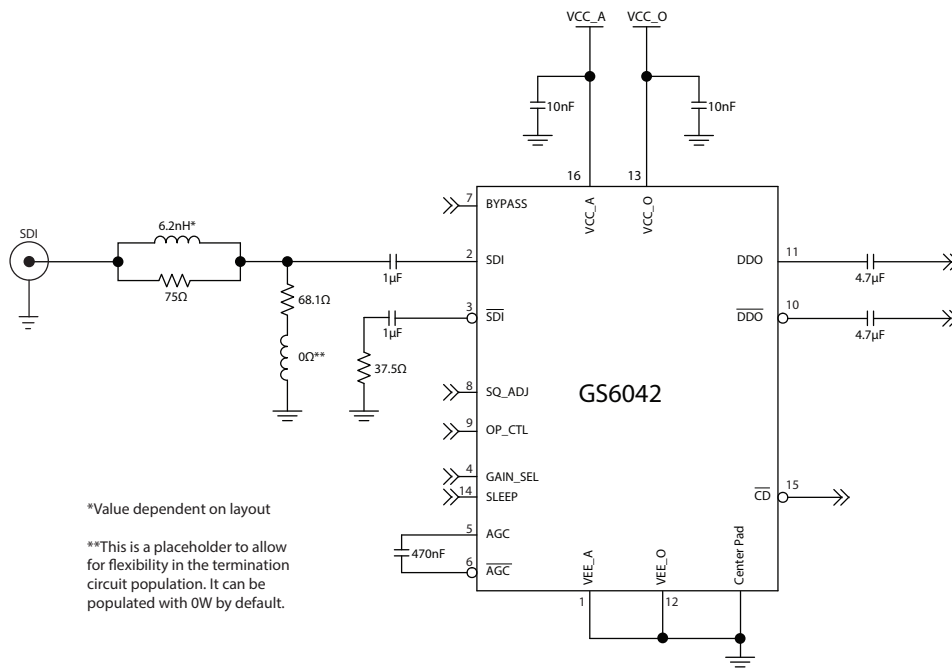
Special attention must be paid to component layout when designing serial digital interfaces for HDTV and other high-speed video applications.

An FR-4 dielectric can be used, however, controlled impedance transmission lines are required for PCB traces longer than approximately 1cm. Note the following PCB artwork features used to optimize performance:

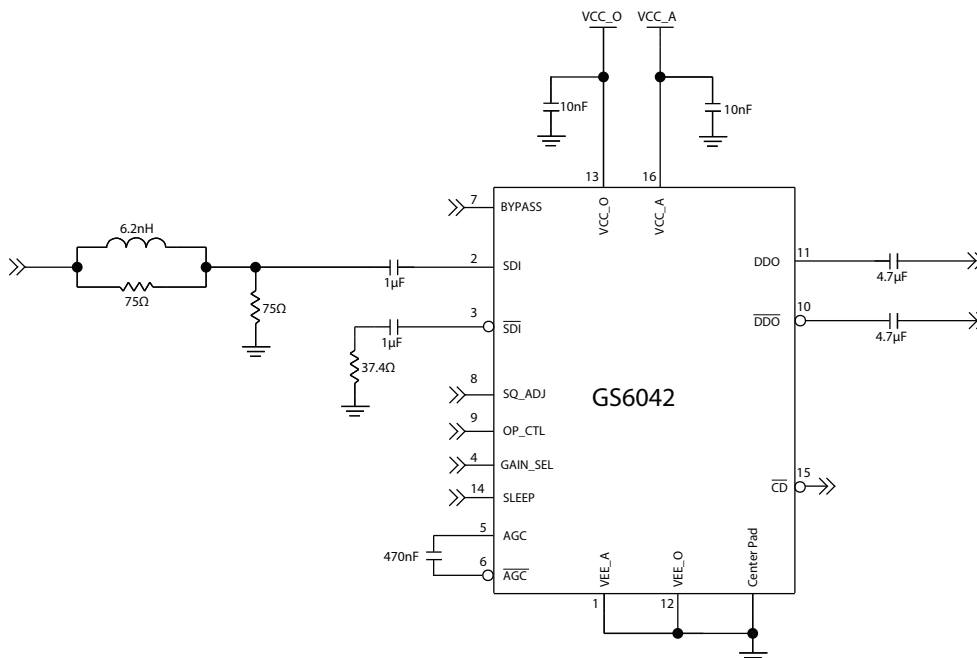
- PCB trace width for high data rate signals should be closely matched to SMT component width to minimize reflections due to changes in trace impedance
- High-speed traces should be curved to minimize impedance changes
- Cutouts in the inner layers should be used under the GS6042 input and output components to minimize parasitic capacitance



## 5.3 Typical Application Circuit



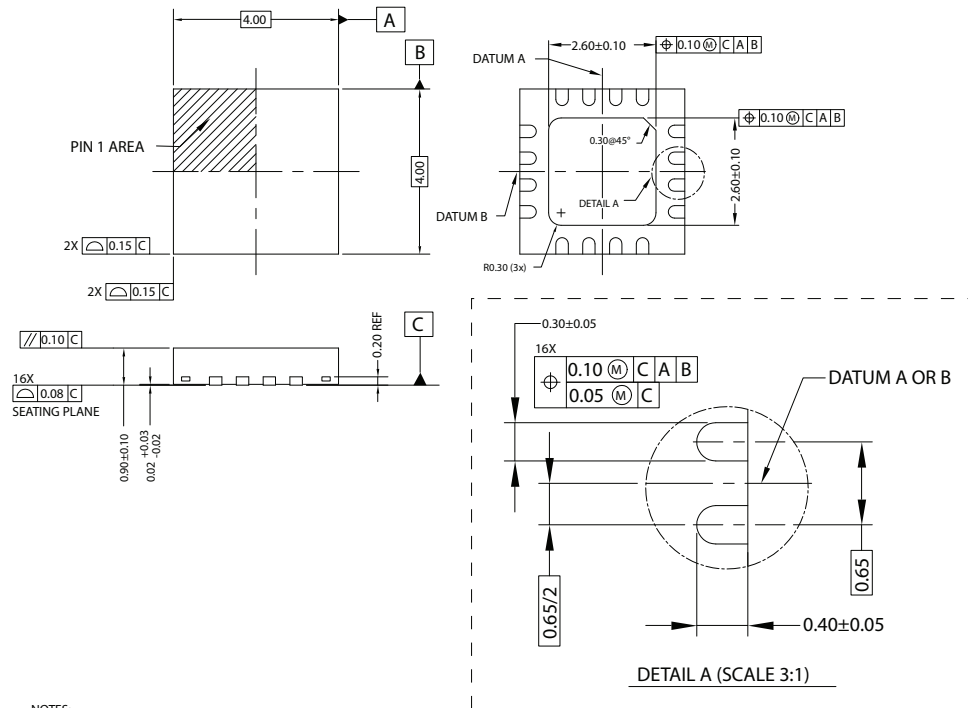
**Figure 5-1: GS6042 Typical Application Circuit Recommended for Extended Cable Reach Applications**



**Figure 5-2: GS6042 Alternate Application Circuit Recommended for Drop in Replacement Applications**

# 6. Package & Ordering Information

## 6.1 Package Dimensions



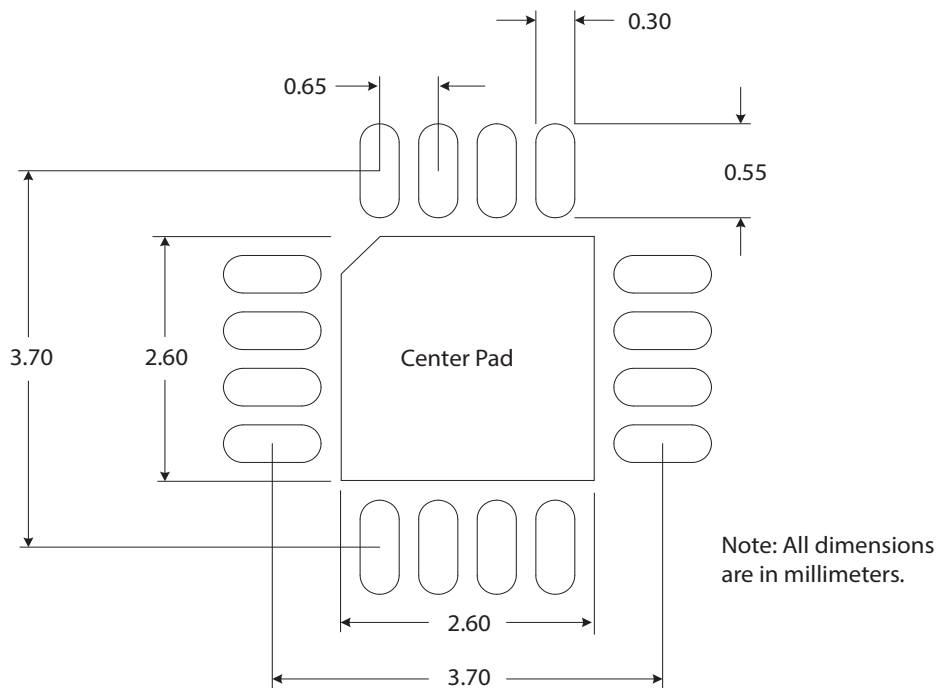
NOTES:

1. DIMENSIONING AND TOLERANCE IS IN CONFORMANCE TO ASMEY14.5-1994  
ALL DIMENSIONS ARE IN MILLIMETERS \* IN DEGREES
2. DIMENSION OF LEAD WIDTH APPLIES TO METALLIZED TERMINAL AND IS MEASURED BETWEEN 0.15mm AND 0.30mm FROM THE TERMINAL TIP (BOTH ROWS). IF THE TERMINAL HAS OPTIONAL RADIUS ON THE END OF THE TERMINAL, THE LEAD WIDTH DIMENSION SHOULD NOT BE MEASURED IN THAT RADIUS AREA

## 6.2 Packaging Data

Parameter	Value
Package Type	4mm x 4mm 16-pin QFN
Package Drawing Reference	JEDEC M0220
Moisture Sensitivity Level	1
Junction to Case Thermal Resistance, $\theta_{j-c}$	31.0°C/W
Junction to Air Thermal Resistance, $\theta_{j-a}$ (at zero airflow)	43.8°C/W
Psi, $\psi$	11.0°C/W
Pb-free and RoHS compliant	Yes

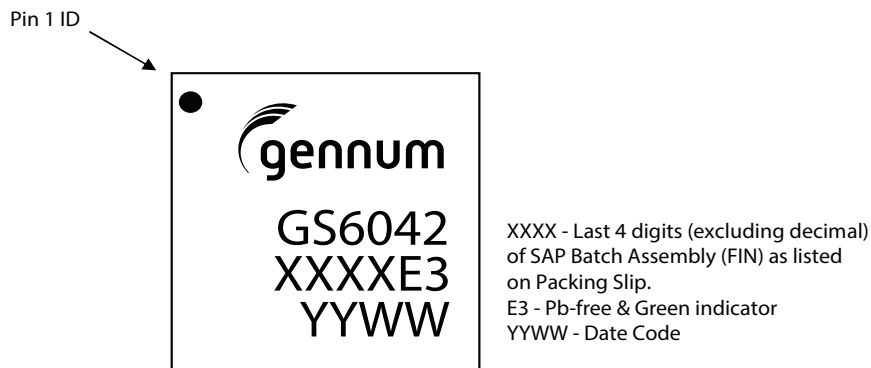
## 6.3 Recommended PCB Footprint



The Center Pad should be connected to the most negative power supply plane for analog circuitry in the device (VEE\_A) by a minimum of 5 vias.

**Note:** Suggested dimensions only. Final dimensions should conform to customer design rules and process optimizations.

## 6.4 Marking Diagram



## 6.5 Solder Reflow Profiles

The GS6042 is available in a Pb-free package. It is recommended that the Pb-free package be soldered with Pb-free paste using the reflow profile shown in Figure 6-1.

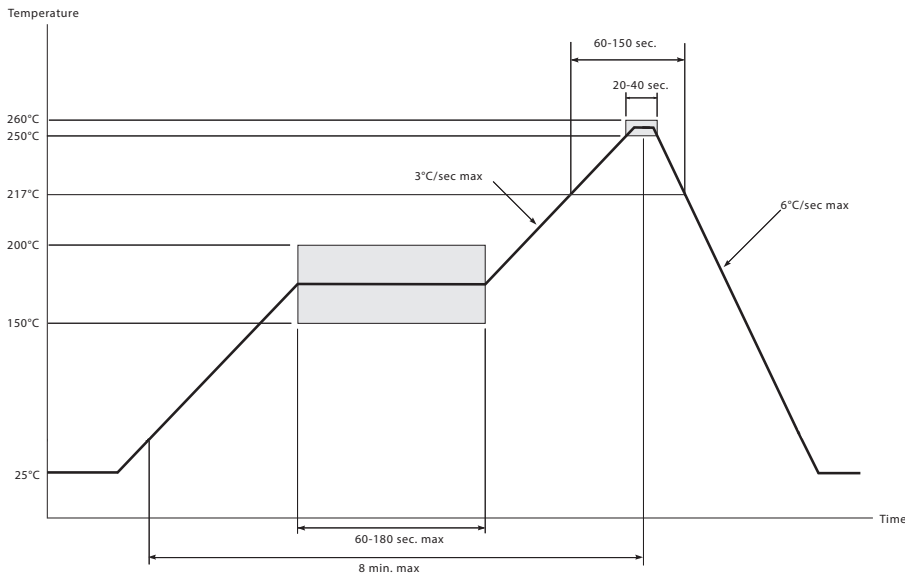


Figure 6-1: Maximum Pb-free Solder Reflow Profile

## 6.6 Ordering Information

Part Number	Package	Temperature Range
GS6042-INE3	16-pin QFN	-40°C to +85°C



---

**DOCUMENT IDENTIFICATION**  
**FINAL DATA SHEET**

The product is in production. Semtech reserves the right to make changes to the product at any time without notice to improve reliability, function or design, in order to provide the best product possible.

**CAUTION**

ELECTROSTATIC SENSITIVE DEVICES  
DO NOT OPEN PACKAGES OR HANDLE EXCEPT AT A  
STATIC-FREE WORKSTATION



---

© Semtech 2013

All rights reserved. Reproduction in whole or in part is prohibited without the prior written consent of the copyright owner. The information presented in this document does not form part of any quotation or contract, is believed to be accurate and reliable and may be changed without notice. No liability will be accepted by the publisher for any consequence of its use. Publication thereof does not convey nor imply any license under patent or other industrial or intellectual property rights. Semtech assumes no responsibility or liability whatsoever for any failure or unexpected operation resulting from misuse, neglect improper installation, repair or improper handling or unusual physical or electrical stress including, but not limited to, exposure to parameters beyond the specified maximum ratings or operation outside the specified range.

SEMTECH PRODUCTS ARE NOT DESIGNED, INTENDED, AUTHORIZED OR WARRANTED TO BE SUITABLE FOR USE IN LIFE-SUPPORT APPLICATIONS, DEVICES OR SYSTEMS OR OTHER CRITICAL APPLICATIONS. INCLUSION OF SEMTECH PRODUCTS IN SUCH APPLICATIONS IS UNDERSTOOD TO BE UNDERTAKEN SOLELY AT THE CUSTOMER'S OWN RISK. Should a customer purchase or use Semtech products for any such unauthorized application, the customer shall indemnify and hold Semtech and its officers, employees, subsidiaries, affiliates, and distributors harmless against all claims, costs damages and attorney fees which could arise.

Notice: All referenced brands, product names, service names and trademarks are the property of their respective owners.

---

## Contact Information

Semtech Corporation  
200 Flynn Road, Camarillo, CA 93012  
Phone: (805) 498-2111, Fax: (805) 498-3804  
[www.semtech.com](http://www.semtech.com)