



## GS9000C DECODER - DC ELECTRICAL CHARACTERISTICS

$V_{DD} = 5V$ ,  $T_A = 0^\circ C$  to  $70^\circ C$  unless otherwise shown

PARAMETER	SYMBOL	CONDITIONS	MIN	TYP	MAX	UNITS	NOTES	TEST LEVEL
Supply Voltage	$V_S$	Operating Range	4.75	5.00	5.25	V		1
Power Consumption (outputs unloaded)	$P_C$	$f = 143MHz$	-	235	-	mW		7
		$f = 270MHz$	-	325	-	mW		7
		$f = 360MHz$	-	385	-	mW		1
CMOS Input Voltage	$V_{IH_{MIN}}$	$T_A = 25^\circ C$	3.4	-	-	V		1
	$V_{IL_{MAX}}$		-	-	1.5	V		1
Output Voltage	$VOH_{MIN}$	$I_{OH} = 4mA$ , $25^\circ C$	2.4	4.5	-	V		1
	$VOH_{MAX}$	$I_{OL} = 4mA$ , $25^\circ C$	-	0.2	0.5	V		1
Input Leakage Current	$I_{IN}$	$V_{IN} = V_{DD}$ or $V_{SS}$	-	-	$\pm 10$	$\mu A$		1
Serial Clock and Data Inputs								
Signal Swing	$V_{IN}$	$T_A = 25^\circ C$	700	800	1000	mV p-p		1
Signal Offset	$V_{INOS}$	$T_A = 25^\circ C$ , $V_{IN} = 700$ to $1000mVp-p$	3.0	-	4.0	V	Centre of swing	1

## GS9000C DECODER - AC ELECTRICAL CHARACTERISTICS

$V_{DD} = 5V$ ,  $T_A = 0^\circ C$  to  $70^\circ C$  unless otherwise shown

PARAMETER	SYMBOL	CONDITIONS	MIN	TYP	MAX	UNITS	NOTES	TEST LEVEL
Serial Input Clock Frequency	$f_{SCI}$		100		370	MHz		1
Serial Input Data Rate	$DR_{SDI}$		100		370	Mb/s		1
Serial Data and Clock Inputs:		$T_A = 25^\circ C$						
Risetime	$t_R$		-	600	-	ps		7
Setup	$t_{SU}$		1.0	-	-	ns		7
Hold	$t_{HOLD}$		1.0	-	-	ns		7
Parallel Clock: Jitter	$t_{JCLK}$	$T_A = 25^\circ C$	-	1.0	-	ns p-p		7
Parallel Data: Risetime and Falltime	$t_{R-PDn}$	$T_A = 25^\circ C$ , $C_L = 10pF$	-	3	-	ns	20% to 80%	7
PDn to PCLK Delay Tolerance	$t_D$		-	-	$\pm 3$	ns	Rising edge of PCLK to bit period centre	7

### Test Level Legend

1. Production test at room temperature and nominal supply voltage with guardbands for supply and temperature ranges.
2. Production test at room temperature and nominal supply voltage with guardbands for supply and temperature ranges using correlated test.
3. Production test at room temperature and nominal supply voltage.
4. QA sample test.
5. Calculated result based on Level 1, 2, or 3.
6. Not tested. Guaranteed by design simulations.
7. Not tested. Based on characterization of nominal parts.
8. Not tested. Based on existing design/characterization data of similar product.

### ORDERING INFORMATION

PART NUMBER	PACKAGE	TEMPERATURE
GS9000CCPJ	28 Pin PLCC	$0^\circ C$ to $70^\circ C$
GS9000CCTJ	28 Pin PLCC Tape	$0^\circ C$ to $70^\circ C$

### ABSOLUTE MAXIMUM RATINGS

PARAMETER	VALUE
Supply Voltage ( $V_S = V_{DD} - V_{SS}$ )	7V
Input Voltage Range (any input)	-0.3 to ( $V_{DD} + 0.3$ )V
DC Input Current (any one input)	$\pm 10\mu A$
Operating Temperature Range	$0^\circ C$ to $70^\circ C$
Storage Temperature Range	$-65^\circ C$ to $+150^\circ C$
Lead Temperature (Soldering, 10 seconds)	$260^\circ C$

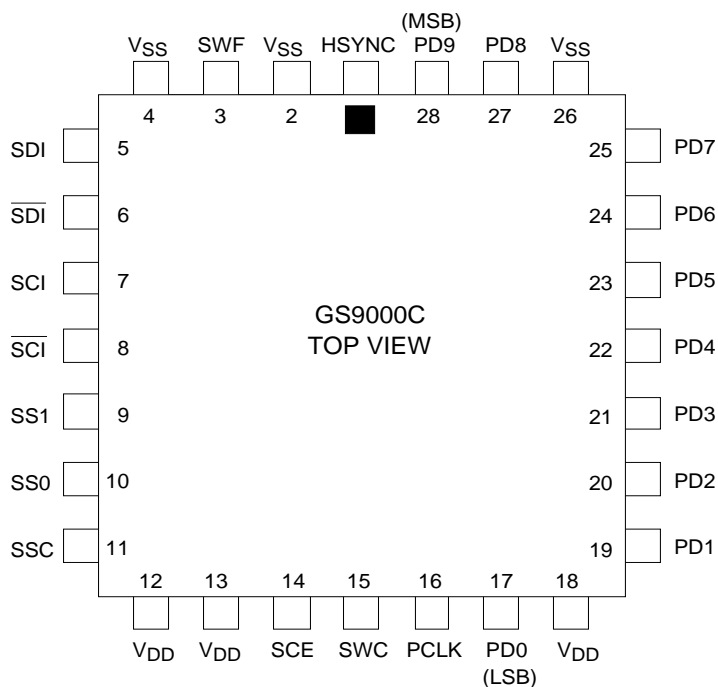


Fig. 1 GS9000C Pin Outs, 28 Pin PLCC Package

**GS9000C PIN DESCRIPTIONS**

PIN NO.	SYMBOL	TYPE	DESCRIPTION
1	HSYNC	Output	<b>Horizontal Sync Output.</b> CMOS (TTL compatible) output that toggles for each TRS detected.
2	V <sub>SS</sub>		<b>Power Supply.</b> Most negative power supply connection.
3	SWF	Output	<b>Sync Error Warning Flag.</b> CMOS (TTL compatible) active high output that indicates the preselected HSYNC Error Rate (HER). The HER is set with an RC time constant on the SWC input.
4	V <sub>SS</sub>		<b>Power Supply.</b> Most negative power supply connection.
5,6	SDI/ $\overline{\text{SDI}}$	Inputs	<b>Differential, pseudo-ECL serial data inputs.</b> ECL voltage levels with offset of 3.0V to 4.0V for operation up to 370MHz. See AC Electrical Characteristics Table for details.
7,8	SCI/ $\overline{\text{SCI}}$	Inputs	<b>Differential, pseudo-ECL serial clock inputs.</b> ECL voltage levels with offset of 3.0V to 4.0V for operation up to 370MHz. See AC Electrical Characteristics Table for details.
9,10	SS1/SS0	Output	<b>Standard Select Outputs.</b> CMOS (TTL compatible) outputs used with the GS9005A Receiver in order to perform an automatic standards select function. These outputs are generated by a 2 bit internal binary counter which stops cycling when there is no CARRIER present at the GS9005A Receiver input or when a valid TRS is detected by the GS9000C.
11	SSC	Input	<b>Standards Select Control.</b> Analog input used to set a time constant for the standards select hunt period. An external RC sets the time constant. When a GS9005A Receiver is used, the open collector CARRIER DETECT output also connects to this pin in order to enable or disable the internal 2 bit binary counter which controls the hunting process.
12	V <sub>DD</sub>		<b>Power Supply.</b> Most positive power supply connection.
13	V <sub>DD</sub>		<b>Power Supply.</b> Most positive power supply connection.
14	SCE	Input	<b>Sync Correction Enable.</b> Active high CMOS input which enables sync correction by not resetting the GS9000C's internal parallel timing on the first sync error. If the next incoming sync is in error, internal parallel timing will be reset. This is to guard against spurious HSYNC errors. When SCE is low, a valid sync will always reset the GS9000C's parallel timing generator.

**GS9000C PIN DESCRIPTIONS**

PIN NO.	SYMBOL	TYPE	DESCRIPTION
15	SWC	Input	<b>Sync Warning Control.</b> Analog input used to set the HSYNC Error Rate (HER). This is accomplished by an external RC time constant connected to this pin.
16	PCLK	Output	<b>Parallel Clock Output.</b> CMOS (TTL compatible) clock output where the rising edge of the clock is located at the centre of the parallel data window within a given tolerance. See Fig. 7.
17	PD0	Output	<b>Parallel Data Output - Bit 0 (LSB).</b> CMOS (TTL compatible) descrambled parallel data output from the serial to parallel convertor representing the least significant bit (LSB).
18	V <sub>DD</sub>		<b>Power Supply.</b> Most positive power supply connection.
19 - 25	PD1 - PD7	Outputs	<b>Parallel Data Outputs - Bit 1 to Bit 7.</b> CMOS (TTL compatible) descrambled parallel data outputs from the serial to parallel convertor representing data bit 1 through data bit 7.
26	V <sub>SS</sub>		<b>Power Supply.</b> Most negative power supply connection.
27	PD8	Output	<b>Parallel Data Output.</b> CMOS (TTL compatible) descrambled parallel data output from the serial to parallel convertor representing data bit 8.
28	PD9	Output	<b>Parallel Data Output - Bit 9 (MSB).</b> CMOS (TTL compatible) descrambled data output from the serial to parallel convertor representing the most significant bit (MSB).

**INPUT / OUTPUT CIRCUITS**

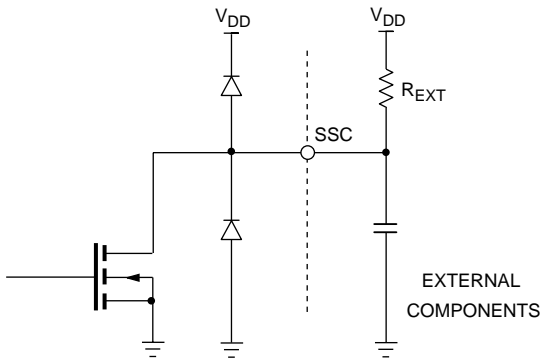


Fig. 2 Pin 11 SSC

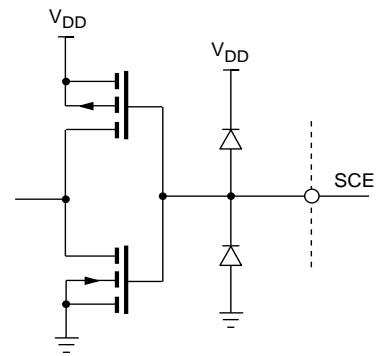


Fig. 3 Pin 14 SCE

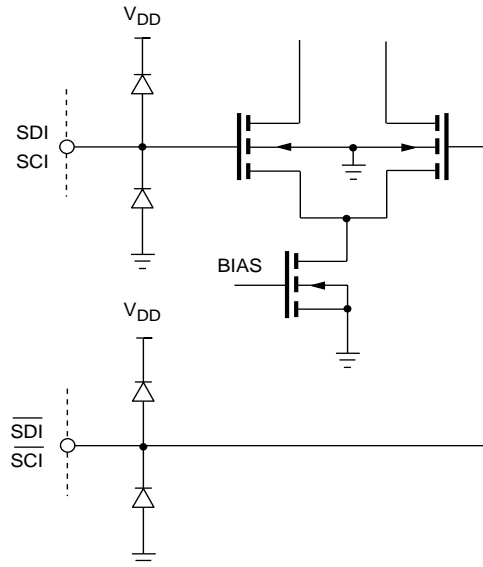


Fig. 4 Pins 5 - 8 SDI - SCI

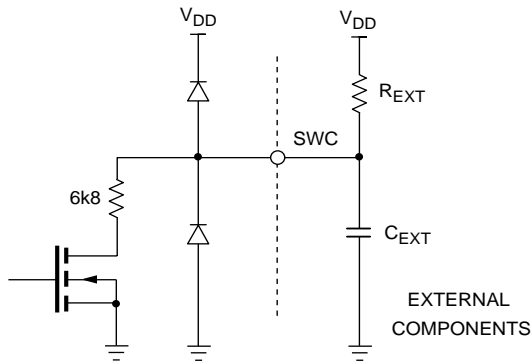


Fig. 5 Pin 15 SWC

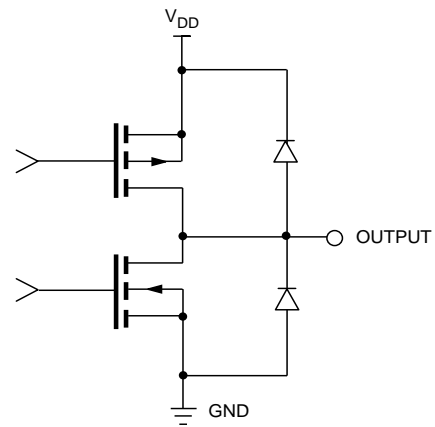


Fig. 6 Pins 3, 16, 17, 19 - 25, 27, 28  
SWF, HSYNC, SSI, SSD, PCLK, PD0-9

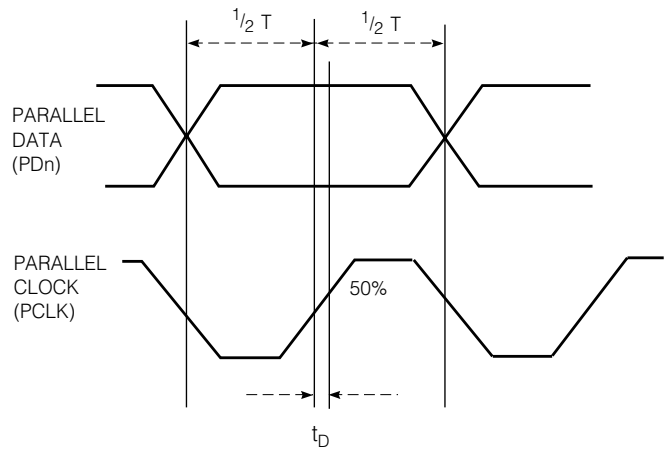
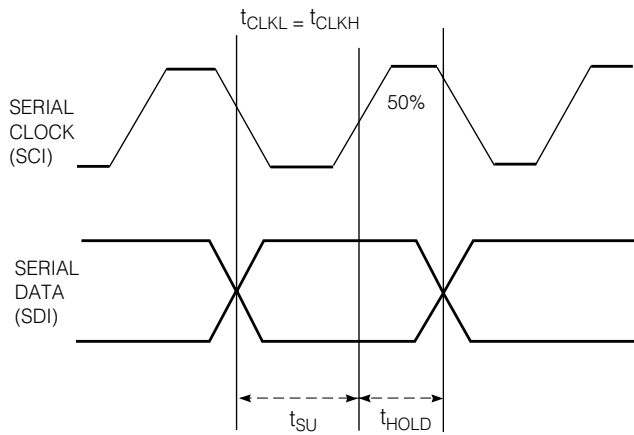


Fig. 7 Waveforms

### TEST SET-UP & APPLICATION INFORMATION

Figure 8 shows the test set-up for the GS9000C operating from a  $V_{DD}$  supply of +5 volts. The differential pseudo ECL inputs for DATA and CLOCK (pins 5,6,7 and 8) must be biased between +3.0 and +4.0 volts. In the circuit shown, these inputs with the resistor values shown, can be directly driven from the outputs of the GS9005A Reclocking Receiver.

In other cases, such as true ECL level driver outputs, two biasing resistors are needed on the DATA and CLOCK inputs and the signals must be AC coupled.

It is critical that the decoupling capacitors connected to pins 12,13 and 18 be chip types and be located as close as possible to the device pins.

In order to maintain very short interconnections when interfacing with the GS9005A Receiver, the critical high speed inputs such as Serial Data (pins 5 and 6) and Serial Clock (pins 7 and 8) are located along one side of the device package.

If the automatic standard select function is not used, the Standard Select bits (pins 9 and 10) do not need to be connected, however the control input (pin 11) should be grounded.

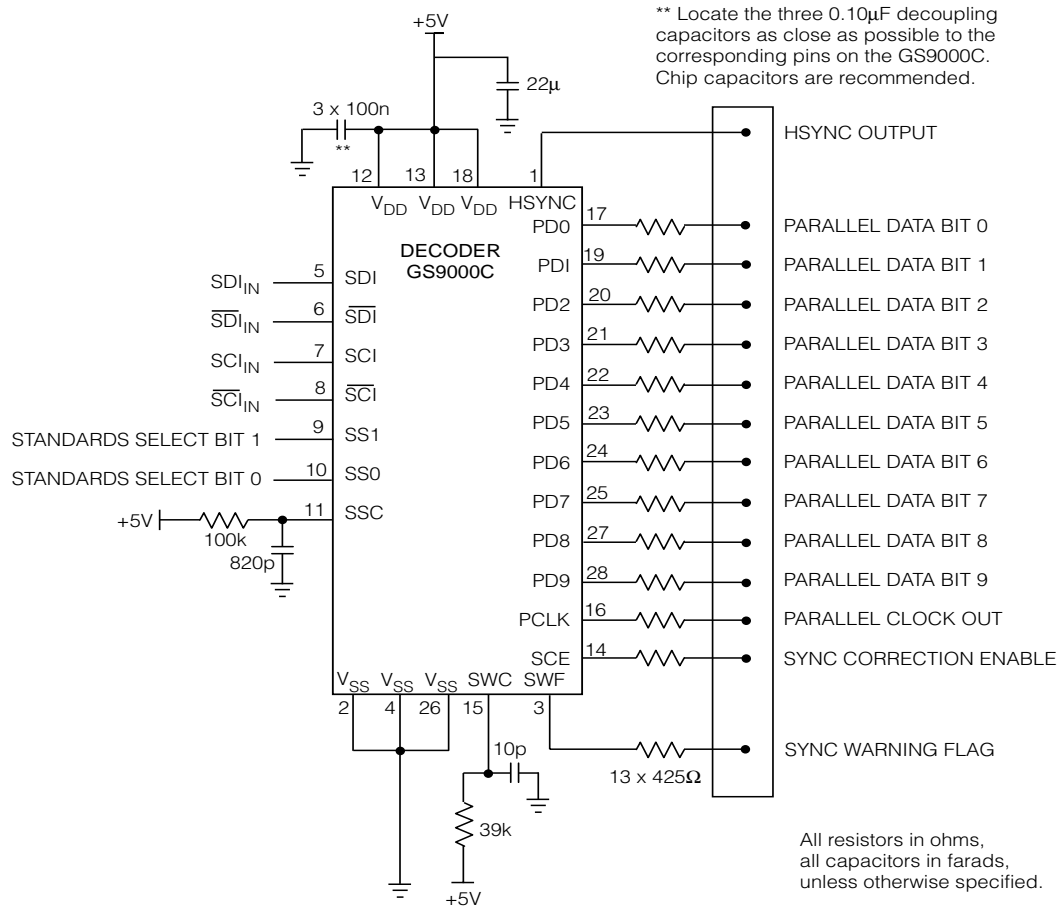


Fig. 8 GS9000C Test Set-Up

With correctly synchronized serial data and clock connected to the GS9000C, the HSYNC output (pin 1) will toggle for each HSYNC detected. The Parallel Data bits PD0 through PD9 along with the Parallel Clock can be observed on an oscilloscope or fed to a logic analyzer. These outputs can also be fed through a suitable TTL to ECL converter to directly drive parallel inputs to receiving equipment such as monitors or digital to analog converters.

In operation, the HSYNC output from the GS9000C decoder toggles on each occurrence of the timing reference signal (TRS). The state of the HSYNC output is not significant, just the time at which it toggles.

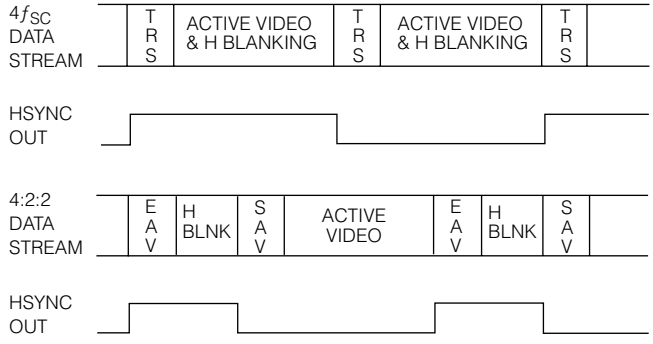


Fig. 9 Operation of HSYNC Output

The HSYNC output toggles to indicate the presence of the TRS on the falling edge of PCLK, one data symbol prior to the output of the first word in the TRS. In the following diagram, data is indicated in 10 bit Hex.

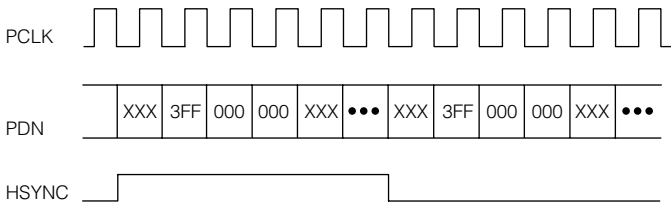
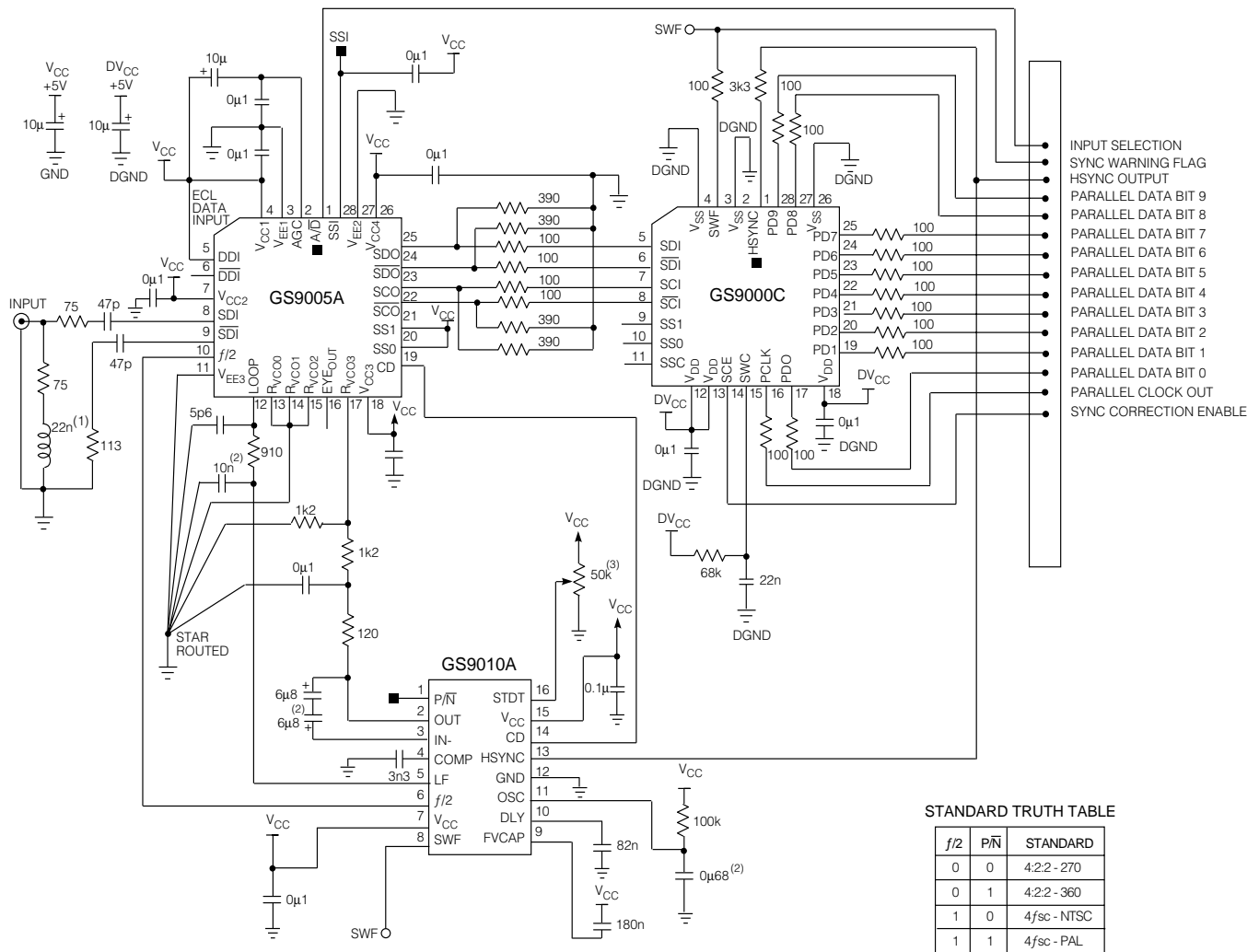


Fig. 10 Operation of HSYNC with Respect to PCLK



- (1) Typical value for input return loss matching
- (2) To reduce board space, the two anti-series 6.8μF capacitors (connected across pins 2 and 3 of the GS9010A) may be replaced with a 1.0μF non-polarized capacitor provided that
  - (a) the 0.68μF capacitor connected to the OSC pin (11) of the GS9010A is replaced with a 0.33μF capacitor and
  - (b) the GS9005A /15A Loop Filter Capacitor is 10nF.
- (3) Remove this potentiometer if P/N function is not required, and ground pin 16 of the GS9010A.

Fig. 11 Application Circuit - Adjustment Free Multi-standard Serial to Parallel Converter

### GS9000C, GS9005A and GS9010A INTERCONNECTIONS

Figure 11 shows an application of the GS9000C in an adjustment free, multi-standard serial to parallel converter. This circuit uses the GS9010A Automatic Tuning Sub-system IC and a GS9005A Serial Digital Receiver. The GS9005A may be replaced with a GS9015A Reclocker IC if cable equalization is not required.

The GS9010A ATS eliminates the need to manually set or externally temperature compensate the Receiver or Reclocker VCO. The GS9010A can also determine whether the incoming data stream is 4fsc NTSC, 4fsc PAL or component 4:2:2.

The GS9010A includes a ramp generator/oscillator which repeatedly sweeps the Receiver/Reclocker VCO frequency

over a set range until the system is correctly locked. An automatic fine tuning (AFT) loop maintains the VCO control voltage at its centre point through continuous, long term adjustments of the VCO centre frequency.

During normal operation, the GS9000C Decoder provides continuous HSYNC pulses which disable the ramp/oscillator of the GS9010A. This maintains the correct Receiver/Reclocker VCO frequency. When an interruption to the incoming data stream is detected by the Receiver/Reclocker, the Carrier Detect goes LOW and tri-states the AFT loop in order to maintain the correct VCO frequency for a period of about 2 seconds. This allows the Receiver/Reclocker to rapidly relock when the signal is re-established.

**SYNC WARNING FLAG OPERATION**

Each time HSYNC is not correctly detected, the Sync Warning Flag output (pin 3 ) will go HIGH. The RC network connected to the Sync Warning Control input (pin 15) sets the number of sync errors that will cause the SWF pin to go HIGH. The component values of the RC network shown in Figure 10 set the SWF error rate to approximately one HSYNC error in 10 lines. These component values are chosen for optimum performance of the SWF pin, and should not be adjusted.

Typically, HSYNC errors will become visible on a monitor before the SWF will provide an indication of HSYNC errors. As a result, the SWF function can be used in applications where the detection of significant signal degradation is desired.

A high SWF will go low as soon as the input error rate decreases below the set rate. This response time is determined by C, as mentioned earlier. A small amount of hysteresis in the comparator ensures noise immunity.

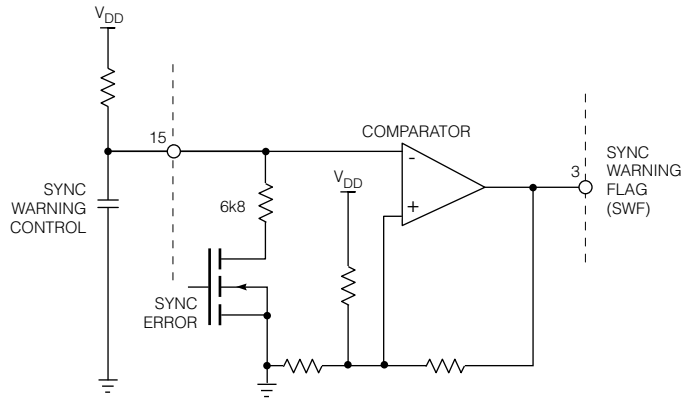


Fig. 10 Sync Warning Flag Circuit

**CAUTION**  
ELECTROSTATIC  
SENSITIVE DEVICES  
DO NOT OPEN PACKAGES OR HANDLE  
EXCEPT AT A STATIC-FREE WORKSTATION



**DOCUMENT IDENTIFICATION:**  
DATA SHEET  
The product is in production. Gennum reserves the right to make changes at any time to improve reliability, function or design, in order to provide the best product possible.

**REVISION NOTES**  
Updated values in Electrical Characteristics tables and added test levels with legend; Updated Figure 8 (Test Set-Up); Changed document from preliminary data sheet to data sheet; Standardized artwork.  
*For the latest product information, visit [www.gennum.com](http://www.gennum.com).*

GENNUM CORPORATION  
MAILING ADDRESS:  
P.O. Box 489, Stn. A, Burlington, Ontario, Canada L7R 3Y3  
Tel. +1 (905) 632-2996 Fax +1 (905) 632-2814  
SHIPPING ADDRESS:  
970 Fraser Drive, Burlington, Ontario, Canada L7L 5P5

GENNUM JAPAN CORPORATION  
C-101, Miyamae Village, 2-10-42 Miyamae, Suginami-ku, Tokyo 168-0081, Japan  
Tel. +81 (3) 3334-7700 Fax: +81 (3) 3247-8839  
GENNUM UK LIMITED  
25 Long Garden Walk, Farnham, Surrey, England GU9 7HX  
Tel. +44 (0) 1252 747000 Fax +44 (0) 1252 726523