

GSC386-BAL0900

900MHz Band Chip Balun

[Inquire](#)

Compact & High power capability.

Application

for RF power amplifier (Base station)

Characteristics**GSC386-BAL0900**

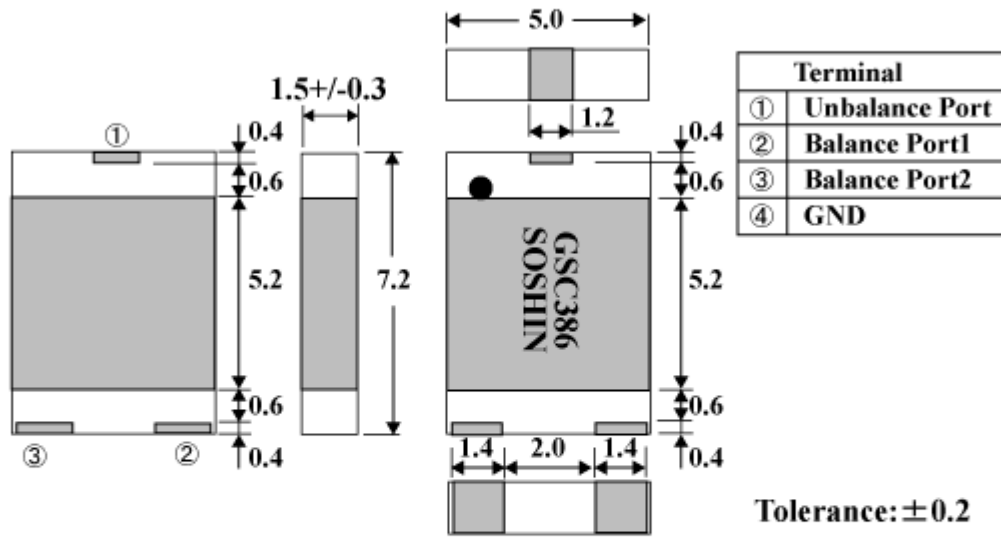
Frequency Range	800-1000MHz
Balanced Impedance	50 ohm Nominal (2<-->3)
Unbalanced Impedance	50 ohm Nominal (1)
Phase Balance	180+/-5 Degrees (2<-->3)
Amplitude level balance	0.35dB max. (Typ. 0.2dB)
Insertion Loss	0.25dB max. at 25 Deg.C (Typ. 0.2dB)
V.S.W.R(Unbalance port)	1.2 max (800-1000MHz)
Input Power	200W Avg/CW
Operating Temperature	-40 up to 125 Deg.C
Storage Temperature	-40 up to 85 Deg.C (-20 up to 35 Deg.C for tape and reel materials)

Number of ordered pieces

1000pcs/Reel

Dimensions

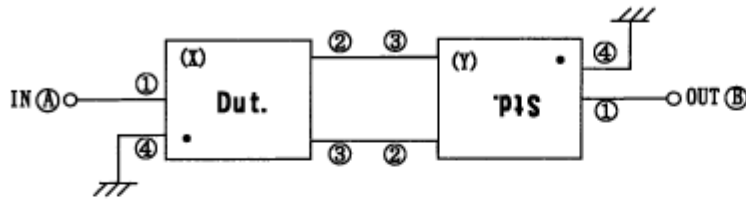
Dimension(Unit : mm)



Measurement circuit

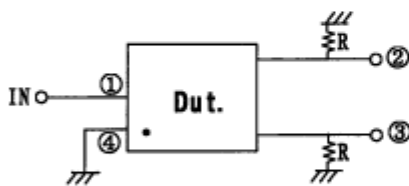
Measuring Circuit

- 1 All items of electrical characteristics shall be measured on test fixture which is decided by supplier.
- 2 Insertion Loss · V.S.W.R measurement. (Measured 2pcs in series)



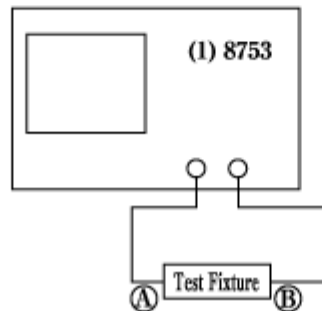
- (1) Measurement value = $IL(X) + IL(Y)$
 $IL(X)$ = Test sample Insertion Loss
 $IL(Y)$ = Standard sample Insertion Loss

- 3 Amplitude level Balance and Phase balance measurement



- 4 Measuring Equipment (Reference)
- (1) NETWORK ANALYZER 8753

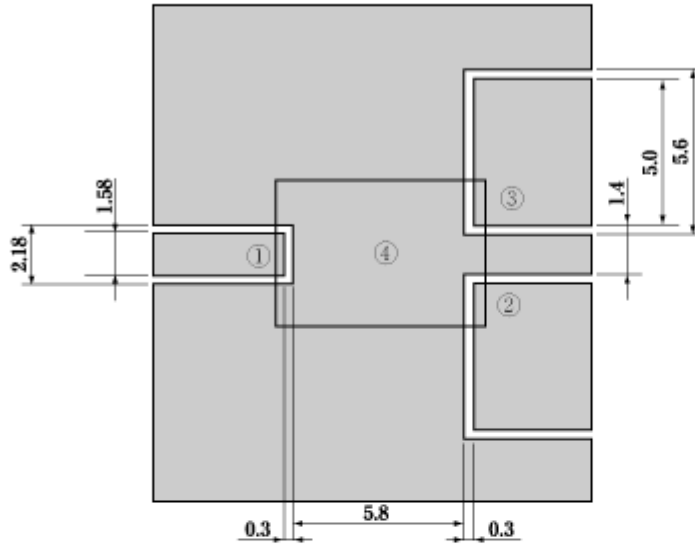
Agilent Technologies



Recommended pattern (Unit:mm)

Measurement board pattern

(Example : $\epsilon = 2.6$, $t = 0.8\text{mm}$ Double side printed circuit board)



Terminal	
①	Unbalance Port
②	Balance Port 1
③	Balance Port 2
④	GND

Resist pattern

