

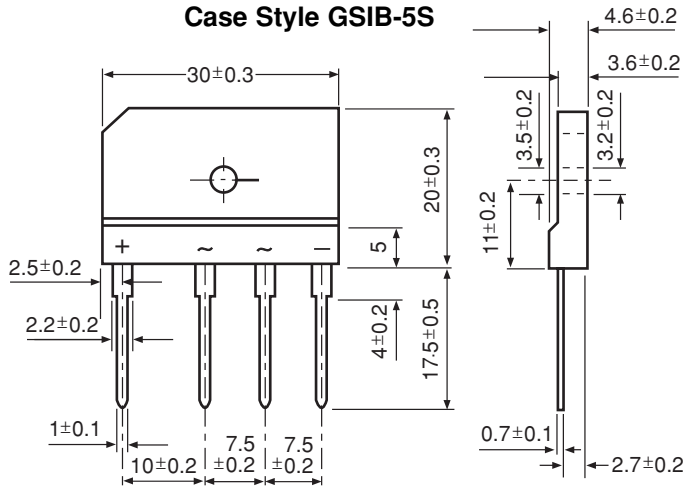
Single-Phase Single In-Line Bridge Rectifier

Reverse Voltage 200 to 800V
Forward Current 15A

Features

- Plastic package has Underwriters Laboratory Flammability Classification 94V-0
- This series is UL listed under Recognized Component Index, file number E54214.
- High case dielectric strength of 2500 VRMS
- Ideal for printed circuit boards
- Glass passivated chip junction
- High surge current capability
- High temperature soldering guaranteed: 260°C/10 seconds, 0.375 (9.5mm) lead length, 5lbs. (2.3kg) tension

Case Style GSIB-5S



Dimensions in millimeters

Mechanical Data

Case: GSIB-5S Molded plastic body

Terminals: Plated leads solderable per MIL-STD-750, Method 2026

Mounting Position: Any (Note 3)

Mounting Torque: 8 in-lbs max.

Weight: 0.26 oz., 7.0 g

Maximum Ratings & Thermal Characteristics (T_A = 25°C unless otherwise noted)

Parameter	Symbol	GSIB 15A20	GSIB 15A40	GSIB 15A60	GSIB 15A80	Unit
Maximum repetitive peak reverse voltage	V _{RRM}	200	400	600	800	V
Maximum RMS voltage	V _{RMS}	140	280	420	560	V
Maximum DC blocking voltage	V _{DC}	200	400	600	800	V
Maximum average forward rectified output current at T _C = 107°C ⁽¹⁾ T _A = 25°C ⁽²⁾	I _{F(AV)}	15 3.5				A
Peak forward surge current single sine-wave superimposed on rated load (JEDEC Method)	I _{FSM}	200				A
Rating for fusing (t < 8.3ms)	I ² t	166				A ² sec
Maximum thermal resistance per leg	R _{θJA} R _{θJC}	22 ⁽²⁾ 1.5 ⁽¹⁾				°C/W
Operating junction and storage temperature range	T _J , T _{STG}	-55 to +150				°C

Electrical Characteristics (T_A = 25°C unless otherwise noted)

Parameter	Symbol	GSIB 15A20	GSIB 15A40	GSIB 15A60	GSIB 15A80	Unit
Maximum instantaneous forward voltage drop per leg at 7.5A	V _F	1.00				V
Maximum DC reverse current at rated DC blocking voltage per leg T _A = 25°C T _A = 125°C	I _R	10 250				μA

Notes:

- (1) Unit case mounted on Al plate heatsink.
- (2) Units mounted on P.C.B. without heatsink
- (3) Recommended mounting position is to bolt down on heatsink with silicone thermal compound for maximum heat transfer with #6 screw

Vishay Semiconductors
formerly General Semiconductor

Ratings and Characteristic Curves ($T_A = 25^\circ\text{C}$ unless otherwise noted)

Fig. 1 - Derating Curve Output Rectified Current

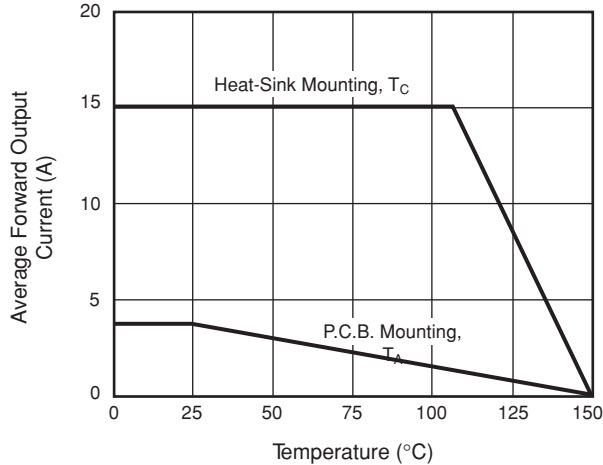


Fig. 2 - Maximum Non-Repetitive Peak Forward Surge Current Per Leg

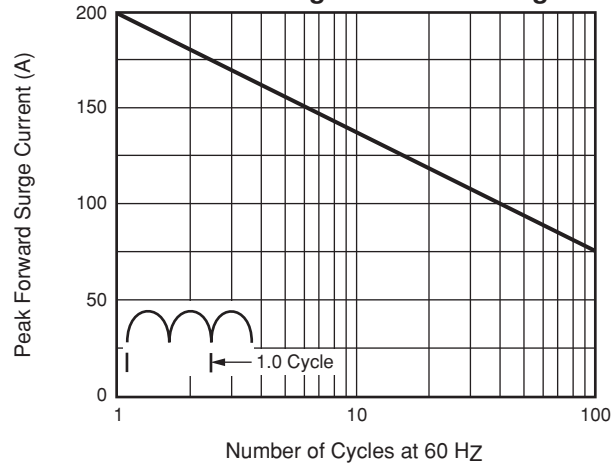


Fig. 3 - Typical Forward Characteristics Per Leg

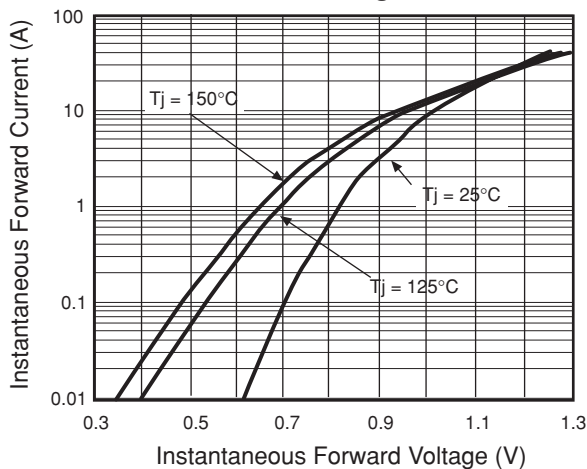


Fig. 4 - Typical Reverse Characteristics Per Leg

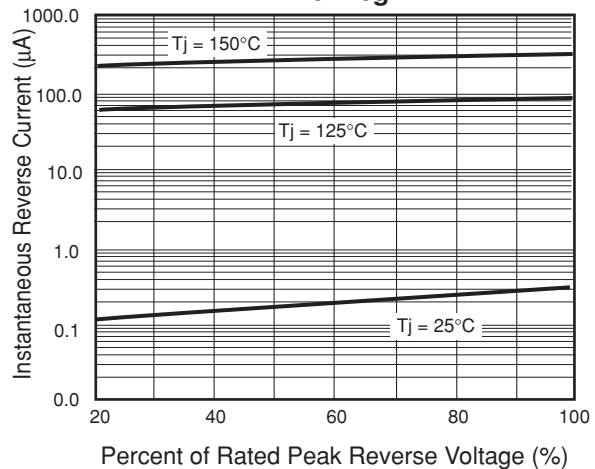


Fig. 5 - Typical Junction Capacitance Per Leg

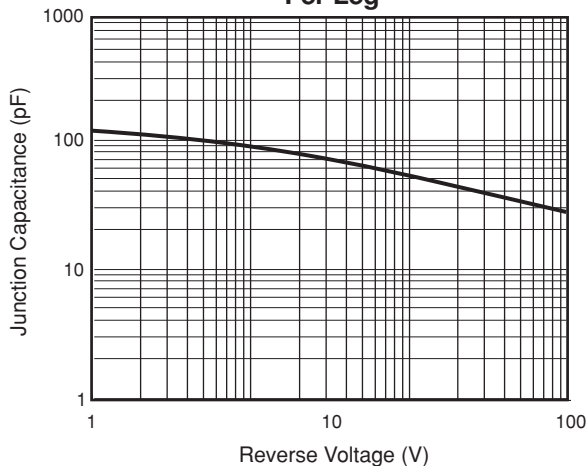


Fig. 6 - Typical Transient Thermal Impedance

