

# 1000 BASE –T MAGNETICS MODULES

## P/N: GSL5009-1 LF DATA SHEET

### Feature



- Designed for Ethernet 100/1000 BASE-T, full duplex applications.
- IEEE 802.3af/ANSI X3.263 compliant performance.
- 350mA current capability.
- Cable interface for isolation and low common mode emissions.
- Comply with RoHS & Halogen Free requirements.
- Operating temperature range: 0 to +70 .
- Storage temperature range: -25 to +85 .

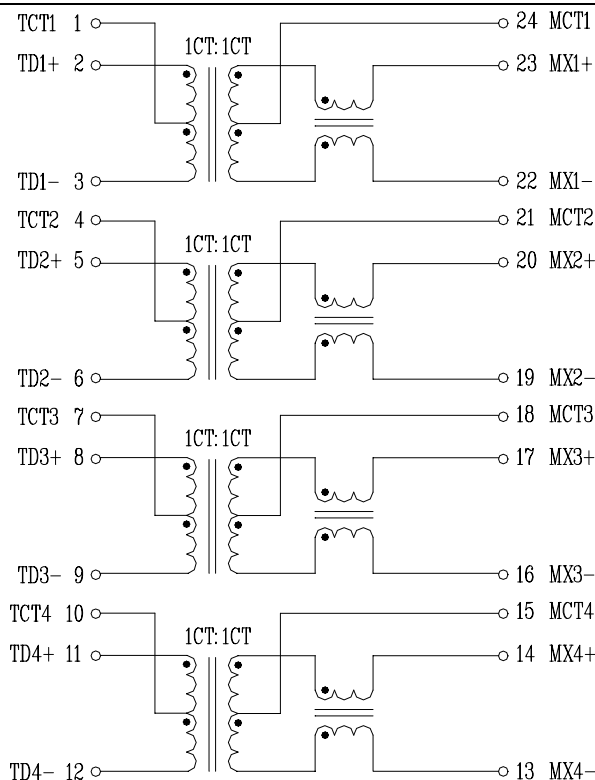
### Electrical Specifications @ 25°C

Part Number	Turns Ratio (±5%)		OCL (uH Min) @100KHz/0.1V with 8mA DC Bias	Insertion Loss (dB Max) 1-100MHz	HI-POT (Vrms)
	TX	RX			
GSL5009-1 LF	1CT:1CT	1CT:1CT	350	-1.0	1500

### Continue

Part Number	Return Loss (dB Min)@ Load 100					Cross talk Attenuation (dB Min)			DCMR (dB Min)		
	1-30MHz	40MHz	50MHz	60-80MHz	100MHz	30MHz	60MHz	100MHz	30MHz	60MHz	100MHz
GSL5009-1 LF	-18	-14.4	-13.1	-12	-10	-45	-40	-35	-43	-37	-33

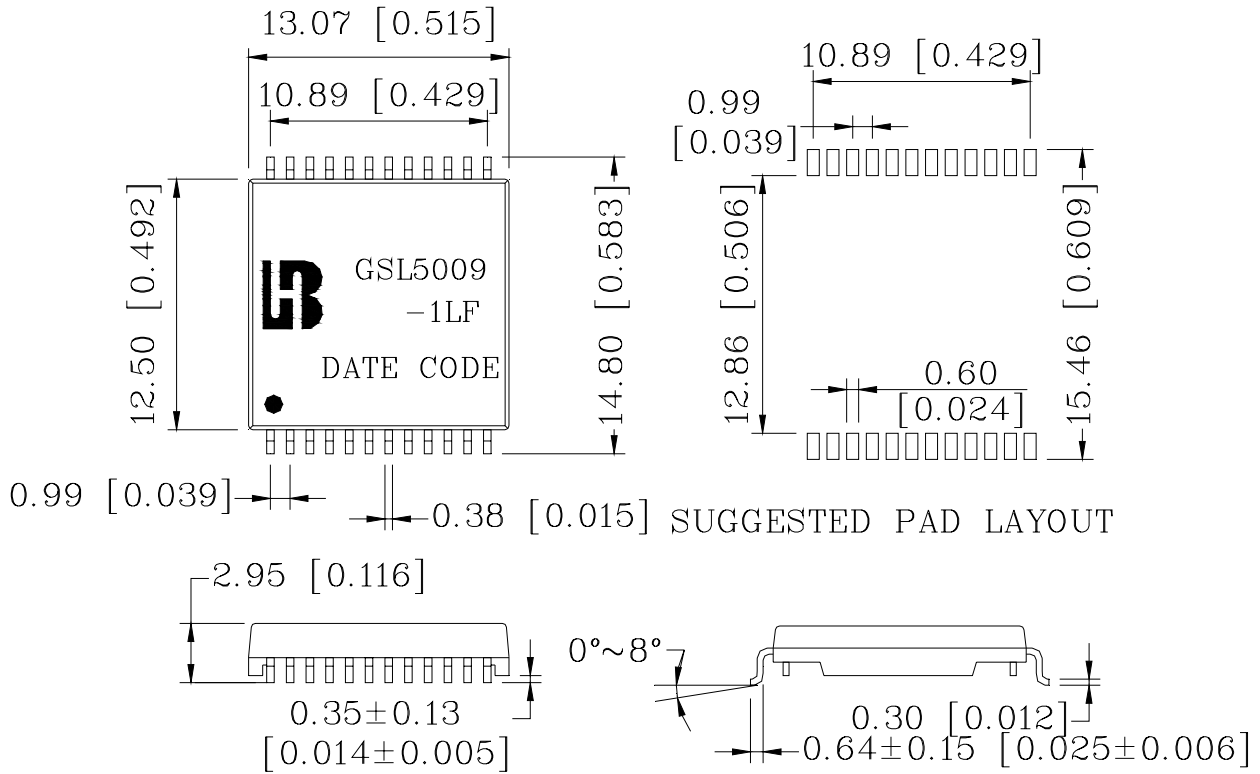
### Schematic



# 1000 BASE -T MAGNETICS MODULES

## P/N: GSL5009-1 LF DATA SHEET

### Mechanical



Units: mm [Inches] Tolerances: xx.x0 ± 0.25 [0.010]  
0.xx ± 0.05 [0.002]