

GSMDS3911

30V P-Channel MOSFETs

Product Description

These P-Channel enhancement mode power field effect transistors are using trench DMOS technology. This advanced technology has been especially tailored to minimize on-state resistance, provide superior switching performance, and withstand high energy pulse in the avalanche and commutation mode.

These devices are well suited for high efficiency fast switching applications.

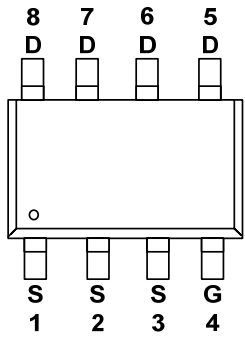
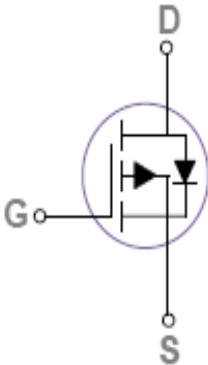
Features

- -30V, -5.5A, $R_{DS(ON)}=50m\Omega@V_{GS}=-10V$
- Fast switching
- Suit for -4.5V Gate Drive Applications
- Green Device Available
- SOP-8 package design

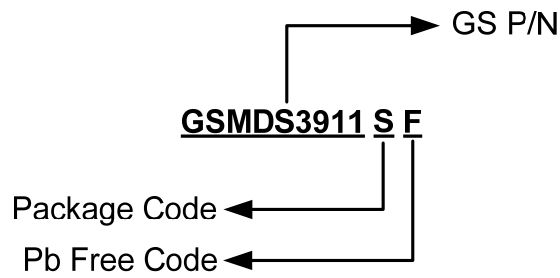
Applications

- Notebook
- Load Switch
- Battery Protection
- Hand-Held Instruments

Packages & Pin Assignments

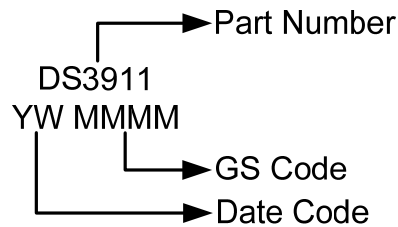
GSMDS3911SF (SOP-8)			
			
			
Pin	Description	Pin	Description
1	Source	5	Drain
2	Source	6	Drain
3	Source	7	Drain
4	Gate	8	Drain

Ordering Information



Part Number	Package	Quantity Reel
GSMD53911SF	SOP-8	4000 PCS

Marking Information



Absolute Maximum Ratings

T_A=25°C Unless otherwise noted

Symbol	Parameter	Typical	Unit
V _{DS}	Drain-Source Voltage	-30	V
V _{GS}	Gate-Source Voltage	±20	V
I _D	Continuous Drain Current	T _A =25°C	-5.5
		T _A =100°C	-3.48
I _{DM}	Pulsed Drain Current	-22	A
P _D	Power Dissipation (T _A =25°C)	2.1	W
	Power Dissipation (Derate above 25°C)	0.017	W/°C
T _J	Operating Junction Temperature Range	-55 to +150	°C
T _{STG}	Storage Temperature Range	-55 to +150	°C
R _{θJA}	Thermal Resistance-Junction to Ambient	60	°C/W

Note 1: Repetitive Rating : Pulsed width limited by maximum junction temperature.

Electrical Characteristics

T_A=25°C Unless otherwise noted

Symbol	Parameter	Conditions	Min	Typ	Max	Unit
Static						
V _{(BR)DSS}	Drain-Source Breakdown Voltage	V _{GS} =0V, I _D =-250uA	-30			V
ΔBV _{DSS} /ΔT _J	BV _{DSS} Temperature Coefficient	Reference to 25°C, I _D =-1mA		-0.03		V/°C
V _{GS(th)}	Gate Threshold Voltage	V _{DS} =V _{GS} , I _D =-250uA	-1.0	-1.6	-2.5	V
ΔV _{GS(th)}	V _{GS(th)} Temperature Coefficient			4		mV/°C
I _{GSS}	Gate Leakage Current	V _{DS} =0V, V _{GS} =±20V			±100	nA
I _{DSS}	Zero Gate Voltage Drain Current	V _{DS} =-30V, V _{GS} =0V			-1	uA
		V _{DS} =-24V, V _{GS} =0V, T _J =125°C			-10	
I _S	Continuous Source Current	V _G =V _D =0V, Force Current			-5.5	A
I _{SM}	Pulsed Source Current				-11	
R _{DS(on)}	Drain-Source On-Resistance	V _{GS} =-10V, I _D =-3A		40	50	mΩ
		V _{GS} =-4.5V, I _D =-2A		62	80	
g _{FS}	Forward Transconductance	V _{DS} =-10V, I _D =-3A		3.5		S
V _{SD}	Diode Forward Voltage	V _{GS} =0V, I _S =-1A			-1	V
Dynamic						
Q _g	Total Gate Charge	V _{DS} =-15V, V _{GS} =-4.5V, I _D =-3A		5.1	7	nC
Q _{gs}	Gate-Source Charge			2	3	
Q _{gd}	Gate-Drain Charge			2.2	4	
C _{iss}	Input Capacitance	V _{DS} =-15V, V _{GS} =0V, f=1MHz		560	810	pF
C _{oss}	Output Capacitance			55	80	
C _{rss}	Reverse Transfer Capacitance			40	60	
t _{d(on)}	Turn-On Time	V _{DD} =-15V, I _D =-1A, V _{GS} =-10V, R _G =6Ω		3.4	6	ns
t _r				10.8	21	
t _{d(off)}	Turn-Off Time			26.9	51	
t _f				6.9	13	

Note 2: The data tested by pulsed, pulse width ≤ 300us, duty cycle ≤ 2%.

Note 3: Essentially independent of operating temperature.

Typical Performance Characteristics

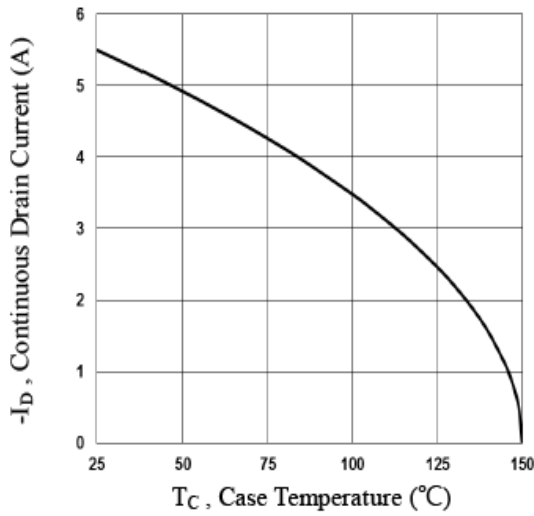


Fig.1 Continuous Drain Current vs. T_C

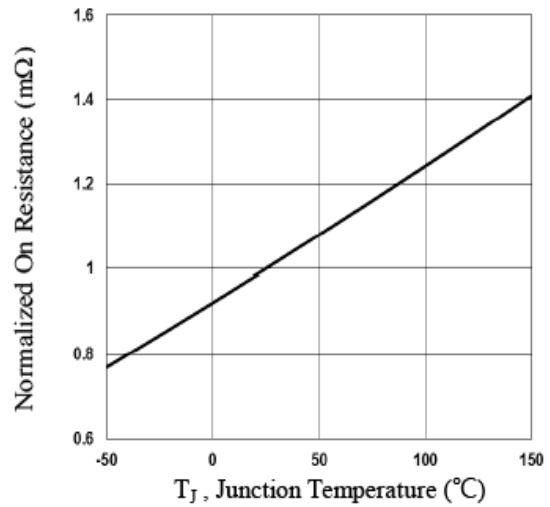


Fig.2 Normalized RDSON vs. T_J

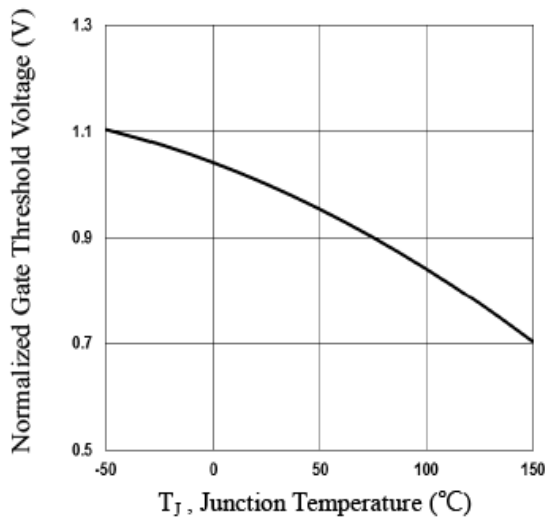


Fig.3 Normalized V_{th} vs. T_J

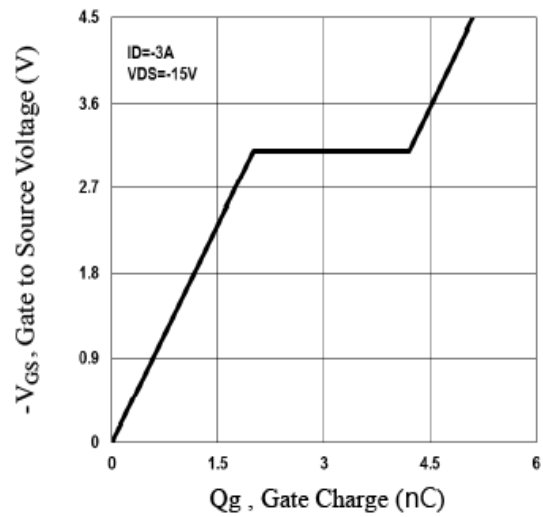


Fig.4 Gate Charge Waveform

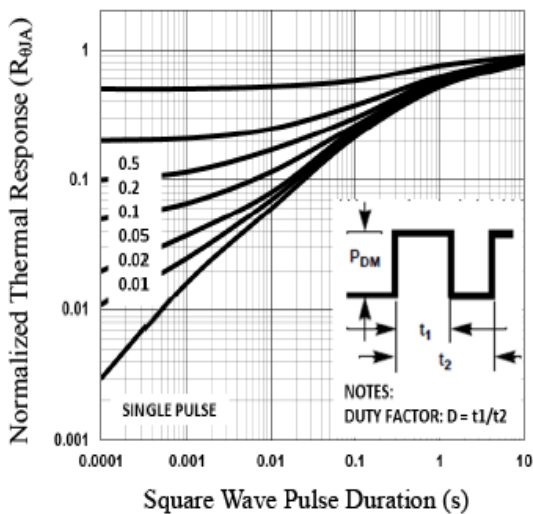


Fig.5 Normalized Transient Impedance

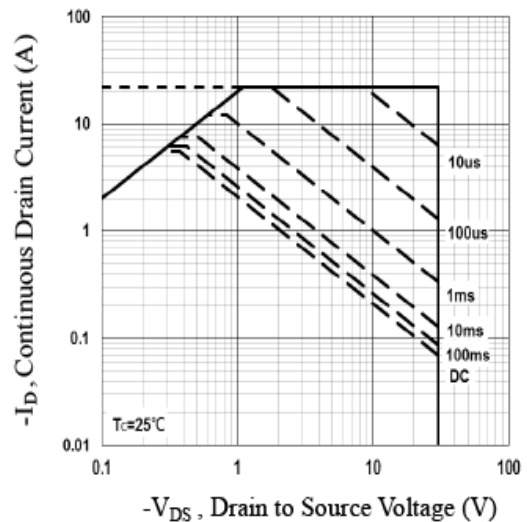
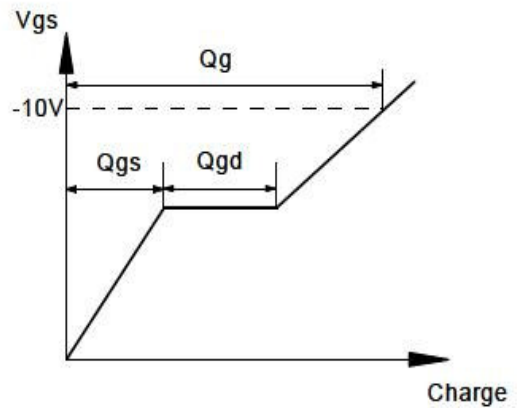
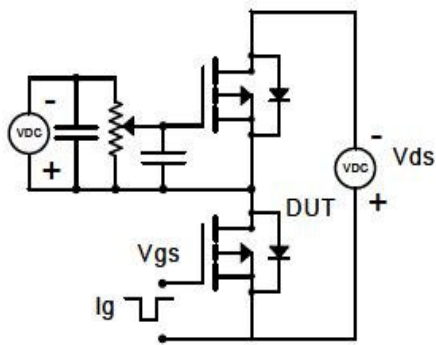


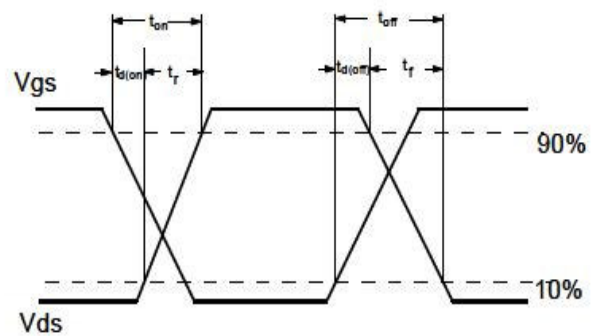
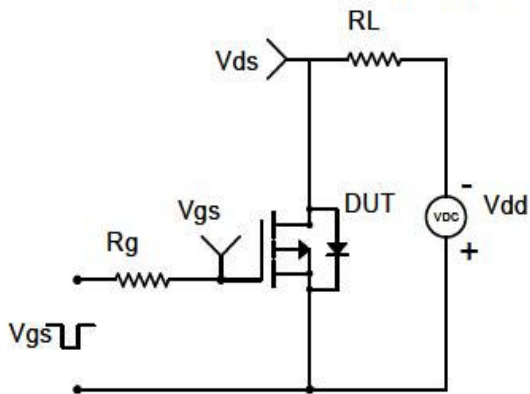
Fig.6 Maximum Safe Operation Area

Typical Performance Characteristics (Continue)

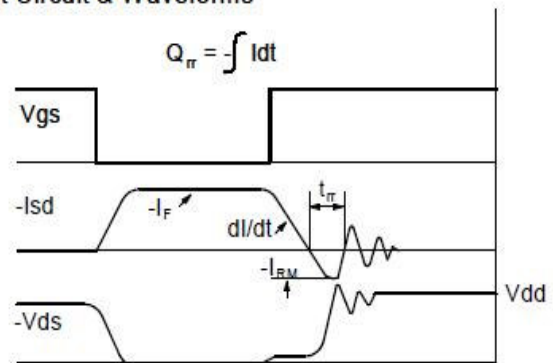
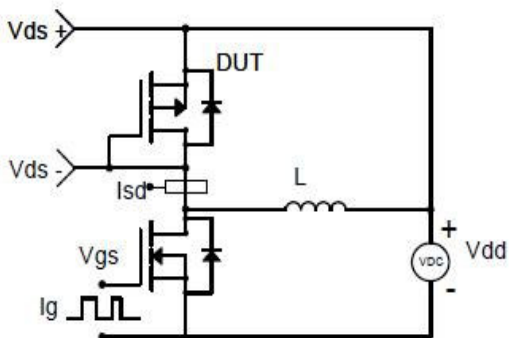
Gate Charge Test Circuit & Waveform



Resistive Switching Test Circuit & Waveforms

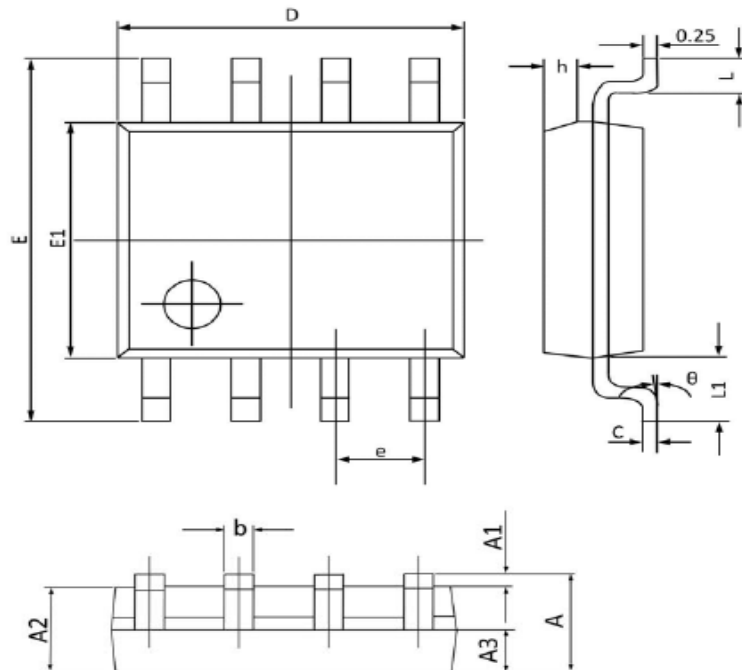


Diode Recovery Test Circuit & Waveforms



Package Dimension

SOP-8



Dimensions				
Symbol	Millimeters		Inches	
	Min	Max	Min	Max
A	1.350	1.750	0.053	0.068
A1	0.100	0.250	0.004	0.009
A2	1.300	1.500	0.052	0.059
A3	0.600	0.700	0.024	0.027
b	0.390	0.480	0.016	0.018
c	0.210	0.260	0.009	0.010
D	4.700	5.100	0.186	0.200
E	5.800	6.200	0.229	0.244
E1	3.700	4.100	0.146	0.161
e	1.270 (BSC)		0.050 (BSC)	
h	0.250	0.500	0.010	0.019
L	0.500	0.800	0.019	0.031
L1	1.050 (BSC)		0.041 (BSC)	
θ	0°	8°	0°	8°

NOTICE

Information furnished is believed to be accurate and reliable. However Globaltech Semiconductor assumes no responsibility for the consequences of use of such information nor for any infringement of patents or other rights of third parties, which may result from its use. No license is granted by implication or otherwise under any patent or patent rights of Globaltech Semiconductor. Specifications mentioned in this publication are subject to change without notice. This publication supersedes and replaces all information without express written approval of Globaltech Semiconductor.

CONTACT US

GS Headquarter	
	4F.,No.43-1,Lane11,Sec.6,Minquan E.Rd Neihu District Taipei City 114, Taiwan (R.O.C)
	886-2-2657-9980
	886-2-2657-3630
	sales_twn@gs-power.com

Shenzhen Branch(China)	
	1113 B Building, Happiness Washington, Baoan Nan Road, Luohu District, Shenzhen City, China
	0755-22208941
	sales_cn@gs-power.com

RD Division	
	824 Bolton Drive Milpitas. CA. 95035
	1-408-457-0587