



# Intel® Wireless Flash Memory (W30)

28F640W30, 28F320W30, 28F128W30

Datasheet

## Product Features

- **High Performance Read-While-Write/Erase**
  - Burst Frequency at 40 MHz
  - 70 ns Initial Access Speed
  - 25 ns Page-Mode Read Speed
  - 20 ns Burst-Mode Read Speed
  - Burst and Page Mode in All Blocks and across All Partition Boundaries
  - Burst Suspend Feature
  - Enhanced Factory Programming: 3.5  $\mu$ s per Word Program Time
  - Programmable WAIT Signal Polarity
- **Flash Power**
  - $V_{CC} = 1.70\text{ V} - 1.90\text{ V}$
  - $V_{CCQ} = 2.20\text{ V} - 3.30\text{ V}$
  - Standby Current (0.13  $\mu$ m) = 8  $\mu$ A (typ.)
  - Read Current = 7 mA (4 word burst, typ.)
- **Flash Software**
  - 5  $\mu$ s/9  $\mu$ s (typ.) Program/Erase Suspend Latency Time
  - Intel® Flash Data Integrator (FDI) and Common Flash Interface (CFI) Compatible
- **Quality and Reliability**
  - Operating Temperature: -40  $^{\circ}$ C to +85  $^{\circ}$ C
  - 100K Minimum Erase Cycles
  - 0.13  $\mu$ m ETOX™ VIII Process
  - 0.18  $\mu$ m ETOX™ VII Process
- **Flash Architecture**
  - Multiple 4-Mbit Partitions
  - Dual Operation: RWW or RWE
  - Parameter Block Size = 4-Kword
  - Main block size = 32-Kword
  - Top and Bottom Parameter Devices
- **Flash Security**
  - 128-bit Protection Register: 64 Unique Device Identifier Bits; 64 User OTP Protection Register Bits
  - Absolute Write Protection with  $V_{PP}$  at Ground
  - Program and Erase Lockout during Power Transitions
  - Individual and Instantaneous Block Locking/Unlocking with Lock-Down
- **Density and Packaging**
  - 0.13  $\mu$ m: 32-, 64-, and 128-Mbit in VF BGA Package; 64-, 128-Mbit in QUAD+ Package
  - 0.18  $\mu$ m: 32- and 128-Mbit Densities in VF BGA Package; 64-Mbit Density in  $\mu$ BGA\* Package
  - 56 Active Ball Matrix, 0.75 mm Ball-Pitch
  - 16-bit Data Bus

The Intel® Wireless Flash Memory (W30) device combines state-of-the-art Intel® Flash technology to provide the most versatile memory solution for high performance, low power, board constraint memory applications. The W30 device offers a multi-partition, dual-operation flash architecture that enables the device to read from one partition while programming or erasing in another partition. This Read-While-Write or Read-While-Erase capability makes it possible to achieve higher data throughput rates as compared to single partition devices, allowing two processors to interleave code execution because program and erase operations can now occur as background processes.

The W30 device incorporates a new Enhanced Factory Programming (EFP) mode to improve 12 V factory programming performance. This new feature helps eliminate manufacturing bottlenecks associated with programming high density flash devices. Compare the EFP program time of 3.5  $\mu$ s per word to the standard factory program time of 8.0  $\mu$ s per word and save significant factory programming time for improved factory efficiency.

Additionally, the W30 device includes block lock-down and programmable WAIT signal polarity, and is supported by an array of software tools. All these features make this product a perfect solution for any demanding memory application.

---

**Notice:** This document contains information on new products in production. The specifications are subject to change without notice. Verify with your local Intel sales office that you have the latest datasheet before finalizing a design.

---



INFORMATION IN THIS DOCUMENT IS PROVIDED IN CONNECTION WITH INTEL® PRODUCTS. NO LICENSE, EXPRESS OR IMPLIED, BY ESTOPPEL OR OTHERWISE, TO ANY INTELLECTUAL PROPERTY RIGHTS IS GRANTED BY THIS DOCUMENT. EXCEPT AS PROVIDED IN INTEL'S TERMS AND CONDITIONS OF SALE FOR SUCH PRODUCTS, INTEL ASSUMES NO LIABILITY WHATSOEVER, AND INTEL DISCLAIMS ANY EXPRESS OR IMPLIED WARRANTY, RELATING TO SALE AND/OR USE OF INTEL PRODUCTS INCLUDING LIABILITY OR WARRANTIES RELATING TO FITNESS FOR A PARTICULAR PURPOSE, MERCHANTABILITY, OR INFRINGEMENT OF ANY PATENT, COPYRIGHT OR OTHER INTELLECTUAL PROPERTY RIGHT. Intel products are not intended for use in medical, life saving, or life sustaining applications.

Intel may make changes to specifications and product descriptions at any time, without notice.

Designers must not rely on the absence or characteristics of any features or instructions marked "reserved" or "undefined." Intel reserves these for future definition and shall have no responsibility whatsoever for conflicts or incompatibilities arising from future changes to them.

The Intel® Wireless Flash Memory (W30) may contain design defects or errors known as errata which may cause the product to deviate from published specifications. Current characterized errata are available on request.

Contact your local Intel sales office or your distributor to obtain the latest specifications and before placing your product order.

Copies of documents which have an ordering number and are referenced in this document, or other Intel literature may be obtained by calling 1-800-548-4725 or by visiting Intel's website at <http://www.intel.com>.

Copyright © 2004, Intel Corporation.

\*Other names and brands may be claimed as the property of others.

# Contents

---

<b>1.0</b>	<b>Introduction</b> .....	9
	1.1 Document Purpose.....	9
	1.2 Nomenclature .....	9
	1.3 Conventions .....	9
<b>2.0</b>	<b>Functional Overview</b> .....	11
	2.1 Overview .....	11
	2.2 Memory Map and Partitioning .....	12
<b>3.0</b>	<b>Package Information</b> .....	15
	3.1 W30 – 0.18 mm Lithography .....	15
	3.2 W30 – 0.13 mm Lithography .....	18
<b>4.0</b>	<b>Ballout and Signal Descriptions</b> .....	20
	4.1 Signal Ballout .....	20
	4.2 Signal Descriptions.....	22
<b>5.0</b>	<b>Maximum Ratings and Operating Conditions</b> .....	23
	5.1 Absolute Maximum Ratings.....	23
	5.2 Operating Conditions.....	23
<b>6.0</b>	<b>Electrical Specifications</b> .....	25
	6.1 DC Current Characteristics .....	25
	6.2 DC Voltage Characteristics .....	26
<b>7.0</b>	<b>AC Characteristics</b> .....	27
	7.1 Read Operations - 0.13 μm Lithography .....	27
	7.2 Read Operations - 0.18 μm Lithography .....	29
	7.3 AC Write Characteristics .....	39
	7.4 Erase and Program Times .....	43
<b>8.0</b>	<b>Power and Reset Specifications</b> .....	44
	8.1 Active Power .....	44
	8.2 Automatic Power Savings (APS).....	44
	8.3 Standby Power.....	44
	8.4 Power-Up/Down Characteristics .....	45
	8.4.1 System Reset and RST#.....	45
	8.4.2 VCC, VPP, and RST# Transitions .....	45
	8.5 Power Supply Decoupling .....	45
	8.6 Reset Specifications .....	46
	8.7 AC I/O Test Conditions.....	47
	8.8 Device Capacitance .....	48
<b>9.0</b>	<b>Device Operations</b> .....	48
	9.1 Bus Operations.....	48
	9.1.1 Read.....	48
	9.1.2 Burst Suspend.....	49

	9.1.3	Standby .....	50
	9.1.4	Reset .....	50
	9.1.5	Write .....	50
	9.2	Device Commands .....	51
	9.3	Command Sequencing .....	54
<b>10.0</b>	<b>Read Operations</b> .....		<b>55</b>
	10.1	Read Array .....	55
	10.2	Read Device ID .....	55
	10.3	Read Query (CFI) .....	56
	10.4	Read Status Register .....	56
	10.5	Clear Status Register .....	58
<b>11.0</b>	<b>Program Operations</b> .....		<b>58</b>
	11.1	Word Program .....	58
	11.2	Factory Programming .....	59
	11.3	Enhanced Factory Program (EFP) .....	60
	11.3.1	EFP Requirements and Considerations .....	60
	11.3.2	Setup .....	61
	11.3.3	Program .....	61
	11.3.4	Verify .....	61
	11.3.5	Exit .....	62
<b>12.0</b>	<b>Program and Erase Operations</b> .....		<b>64</b>
	12.1	Program/Erase Suspend and Resume .....	64
	12.2	Block Erase .....	66
	12.3	Read-While-Write and Read-While-Erase .....	68
<b>13.0</b>	<b>Security Modes</b> .....		<b>69</b>
	13.1	Block Lock Operations .....	69
	13.1.1	Lock .....	70
	13.1.2	Unlock .....	70
	13.1.3	Lock-Down .....	70
	13.1.4	Block Lock Status .....	71
	13.1.5	Lock During Erase Suspend .....	71
	13.1.6	Status Register Error Checking .....	71
	13.1.7	WP# Lock-Down Control .....	72
	13.2	Protection Register .....	72
	13.2.1	Reading the Protection Register .....	73
	13.2.2	Programming the Protection Register .....	73
	13.2.3	Locking the Protection Register .....	74
	13.3	VPP Protection .....	75
<b>14.0</b>	<b>Set Read Configuration Register</b> .....		<b>76</b>
	14.1	Read Mode (RCR[15]) .....	78
	14.2	First Access Latency Count (RCR[13:11]) .....	78
	14.2.1	Latency Count Settings .....	79
	14.3	WAIT Signal Polarity (RCR[10]) .....	79
	14.4	WAIT Signal Function .....	79
	14.5	Data Hold (RCR[9]) .....	80
	14.6	WAIT Delay (RCR[8]) .....	81



14.7	Burst Sequence (RCR[7]).....	81
14.8	Clock Edge (RCR[6]).....	83
14.9	Burst Wrap (RCR[3]).....	83
14.10	Burst Length (RCR[2:0]).....	83
<b>Appendix A Write State Machine .....</b>		<b>84</b>
<b>Appendix B Common Flash Interface.....</b>		<b>87</b>
<b>Appendix C Ordering Information .....</b>		<b>96</b>

## Revision History

Date of Revision	Version	Description
09/19/00	-001	Original Version
03/14/01	-002	<p>28F3208W30 product references removed (product was discontinued)</p> <p>28F640W30 product added</p> <p>Revised Table 2, <i>Signal Descriptions</i> (DQ<sub>15-0</sub>, ADV#, WAIT, S-UB#, S-LB#, V<sub>CCQ</sub>)</p> <p>Revised Section 3.1, <i>Bus Operations</i></p> <p>Revised Table 5, <i>Command Bus Definitions</i>, Notes 1 and 2</p> <p>Revised Section 4.2.2, <i>First Latency Count (LC<sub>2-0</sub>)</i>; revised Figure 6, <i>Data Output with LC Setting at Code 3</i>; added Figure 7, <i>First Access Latency Configuration</i></p> <p>Revised Section 4.2.3, <i>WAIT Signal Polarity (WT)</i></p> <p>Added Section 4.2.4, <i>WAIT Signal Function</i></p> <p>Revised Section 4.2.5, <i>Data Output Configuration (DOC)</i></p> <p>Added Figure 8, <i>Data Output Configuration with WAIT Signal Delay</i></p> <p>Revised Table 13, <i>Status Register DWS and PWS Description</i></p> <p>Revised entire Section 5.0, <i>Program and Erase Voltages</i></p> <p>Revised entire Section 5.3, <i>Enhanced Factory Programming (EFP)</i></p> <p>Revised entire Section 8.0, <i>Flash Security Modes</i></p> <p>Revised entire Section 9.0, <i>Flash Protection Register</i>; added Table 15, <i>Simultaneous Operations Allowed with the Protection Register</i></p> <p>Revised Section 10.1, <i>Power-Up/Down Characteristics</i></p> <p>Revised Section 11.3, <i>DC Characteristics</i>. Changed I<sub>CCS</sub>, I<sub>CCWS</sub>, I<sub>CCES</sub> Specs from 18 <math>\mu</math>A to 21 <math>\mu</math>A; changed I<sub>CCR</sub> Spec from 12 mA to 15 mA (burst length = 4)</p> <p>Added Figure 20, <i>WAIT Signal in Synchronous Non-Read Array Operation Waveform</i></p> <p>Added Figure 21, <i>WAIT Signal in Asynchronous Page-Mode Read Operation Waveform</i></p> <p>Added Figure 22, <i>WAIT Signal in Asynchronous Single-Word Read Operation Waveform</i></p> <p>Revised Figure 23, <i>Write Waveform</i></p> <p>Revised Section 12.4, <i>Reset Operations</i></p> <p>Clarified Section 13.2, <i>SRAM Write Operation</i>, Note 2</p> <p>Revised Section 14.0, <i>Ordering Information</i></p> <p>Minor text edits</p>
04/05/02	-003	<p>Deleted SRAM Section</p> <p>Added 128M DC and AC Specifications</p> <p>Added Burst Suspend</p> <p>Added Read While Write Transition Waveforms</p> <p>Various text edits</p>
04/24/02	-004	<p>Revised Device ID</p> <p>Revised Write Speed Bin</p> <p>Various text edits</p>
10/20/02	-005	<p>Added Latency Count Tables</p> <p>Updated Packing Ball-Out and Dimension</p> <p>Various text edits</p> <p>Minor text clarifications</p>

Date of Revision	Version	Description
01/14/03	-006	Revised Table 20, DC Current Characteristics, $I_{CCS}$ Revised Table 20, DC Current Characteristics, $I_{CCAPS}$ Removed Intel Burst order Minor text edits Updated Package Drawing and Dimensions
03/22/03	-007	Revised Table 22, Read Operations, $t_{APA}$ Added note to table 15, Configuration Register Descriptions Added note to section 3.1.1, Read
11/17/03	-008	Updated Block Lock Operations (Sect. 7.1 and Fig. 11) Updated improved AC timings Added QUAD+ package option, and Appendix D Minor text edits including new product-naming conventions
05/06/04	-009	Corrected Absolute Maximum Rating for $V_{CCQ}$ (Sect. 10.1, Table 18) Minor text edits
05/17/04	-010	Restructured the datasheet according to new layout.





## 1.0 Introduction

---

### 1.1 Document Purpose

This datasheet contains information about the Intel® Wireless Flash Memory (W30) family. Section 1.0 provides a flash memory overview. Section 2.0 through Section 8.0 describe the memory functionality. Section 6.0 describes the electrical specifications for extended temperature product offerings. Packaging specifications and order information can be found in Appendix C and Appendix C, respectively.

### 1.2 Nomenclature

Many acronyms that describe product features or usage are defined here:

- **APS** - Automatic Power Savings
- **BBA** - Block Base Address
- **CFI** - Common Flash Interface
- **CUI** - Command User Interface
- **DU** - Do not Use
- **EFP** - Enhanced Factory Programming
- **FDI** - Flash Data Integrator
- **NC** - No Connect
- **OTP** - One-Time Programmable
- **PBA** - Partition Base Address
- **RCR** - Read Configuration Register
- **RWE** - Read-While-Erase
- **RWW** - Read-While-Write
- **SCSP** - Stacked Chip Scale Package
- **SRD** - Status Register Data
- **VF BGA** - Very-thin, Fine-pitch, Ball Grid Array
- **WSM** - Write State Machine

### 1.3 Conventions

Many abbreviated terms and phrases are used throughout this document:

- **1.8 V** refers to the  $V_{CC}$  operating voltage range of 1.7 V – 1.9 V (except where noted).
- **3.0 V** refers to the  $V_{CCQ}$  operating voltage range of 2.2 V - 3.3 V.
- **$V_{PP} = 12 V$**  refers to 12 V  $\pm$  5%.

- When referring to registers, the term **set** means the bit is a logical 1, and **cleared** means the bit is a logical 0.
- The terms **pin** and **signal** are often used interchangeably to refer to the external signal connections on the package. (*ball* is the term used for BGA).
- A **word** is 2 bytes, or 16 bits.
- **Signal** names are in all CAPS (e.g., WAIT).
- **Voltage** applied to the signal is subscripted (e.g.,  $V_{pp}$ ).

Throughout this document, references are made to top, bottom, parameter, and partition. To clarify these references, the following conventions have been adopted:

- A **block** is a group of bits (or words) that erase simultaneously with one block erase instruction.
- A **main block** contains 32 Kwords.
- A **parameter block** contains 4 Kwords.
- The **Block Base Address (BBA)** is the first address of a block.
- A **partition** is a group of blocks that share erase and program circuitry and a common status register.
- The **Partition Base Address (PBA)** is the first address of a partition. For example, on a 32-Mbit top-parameter device, partition number 5 has a PBA of 0x140000.
- The **top partition** is located at the highest physical device address. This partition may be a main partition or a parameter partition.
- The **bottom partition** is located at the lowest physical device address. This partition may be a main partition or a parameter partition.
- A **main partition** contains only main blocks.
- A **parameter partition** contains a mixture of main blocks and parameter blocks.
- A **top parameter device (TPD)** has the parameter partition at the top of the memory map with the parameter blocks at the top of that partition. This was formerly referred to as top-boot device.
- A **bottom parameter device (BPD)** has the parameter partition at the bottom of the memory map with the parameter blocks at the bottom of that partition. This was formerly referred to as bottom-boot block flash device.

## 2.0 Functional Overview

---

This section provides an overview of the W30 features and architecture.

### 2.1 Overview

The W30 provides Read-While-Write (RWW) and Read-White-Erase (RWE) capability with high-performance synchronous and asynchronous reads in package-compatible densities with a 16-bit data bus. Individually-erasable memory blocks are optimally sized for code and data storage. Eight 4-Kword parameter blocks are located in the parameter partition at either the top or bottom of the memory map. The rest of the memory array is grouped into 32-Kword main blocks.

The memory architecture for the W30 consists of multiple 4-Mbit partitions, the exact number depending on device density. By dividing the memory array into partitions, program or erase operations can take place simultaneously during read operations. Burst reads can traverse partition boundaries, but user application code is responsible for ensuring that they don't extend into a partition that is actively programming or erasing. Although each partition has burst-read, write, and erase capabilities, simultaneous operation is limited to write or erase in one partition while other partitions are in a read mode.

Augmented erase-suspend functionality further enhances the RWW capabilities of this device. An erase can be suspended to perform a program or read operation within any block, except that which is erase-suspended. A program operation nested within a suspended erase can subsequently be suspended to read yet another memory location.

After device power-up or reset, the W30 defaults to asynchronous read configuration. Writing to the device's Read Configuration Register (RCR) enables synchronous burst-mode read operation. In synchronous mode, the CLK input increments an internal burst address generator. CLK also synchronizes the flash memory with the host CPU and outputs data on every, or on every other, valid CLK cycle after an initial latency. A programmable WAIT output signals to the CPU when data from the flash memory device is ready.

In addition to its improved architecture and interface, the W30 incorporates Enhanced Factory Programming (EFP), a feature that enables fast programming and low-power designs. The EFP feature provides the fastest currently-available program performance, which can increase a factory's manufacturing throughput.

The device supports read operations at 1.8 V and erase and program operations at 1.8 V or 12 V. With the 1.8-V option, VCC and VPP can be tied together for a simple, ultra-low-power design. In addition to voltage flexibility, the dedicated VPP input provides complete data protection when  $V_{PP} \leq V_{PPLK}$ .

A 128-bit protection register enhances the user's ability to implement new security techniques and data protection schemes. Unique flash device identification and fraud-, cloning-, or content-protection schemes are possible through a combination of factory-programmed and user-OTP data

cells. Zero-latency locking/unlocking on any memory block provides instant and complete protection for critical system code and data. An additional block lock-down capability provides hardware protection where software commands alone cannot change the block's protection status.

The device's Command User Interface (CUI) is the system processor's link to internal flash memory operation. A valid command sequence written to the CUI initiates device Write State Machine (WSM) operation that automatically executes the algorithms, timings, and verifications necessary to manage flash memory program and erase. An internal status register provides ready/busy indication results of the operation (success, fail, and so on).

Three power-saving features— Automatic Power Savings (APS), standby, and RST#— can significantly reduce power consumption. The device automatically enters APS mode following read cycle completion. Standby mode begins when the system deselects the flash memory by de-asserting CE#. Driving RST# low produces power savings similar to standby mode. It also resets the part to read-array mode (important for system-level reset), clears internal status registers, and provides an additional level of flash write protection.

## 2.2 Memory Map and Partitioning

The W30 is divided into 4-Mbit physical partitions, which allows simultaneous RWW or RWE operations and allows users to segment code and data areas on 4-Mbit boundaries. The device's memory array is asymmetrically blocked, which enables system code and data integration within a single flash device. Each block can be erased independently in block erase mode. Simultaneous program and erase operations are not allowed; only one partition at a time can be actively programming or erasing. See [Table 1, “Bottom Parameter Memory Map” on page 13](#) and [Table 2, “Top Parameter Memory Map” on page 14](#).

The 32-Mbit device has eight partitions, the 64-Mbit device has 16 partitions, and the 128-Mbit device has 32 partitions. Each device density contains one parameter partition and several main partitions. The 4-Mbit parameter partition contains eight 4-Kword parameter blocks and seven 32-Kword main blocks. Each 4-Mbit main partition contains eight 32-Kword blocks each.

The bulk of the array is divided into main blocks that can store code or data, and parameter blocks that allow storage of frequently updated small parameters that are normally stored in EEPROM. By using software techniques, the word-rewrite functionality of EEPROMs can be emulated.

**Table 1. Bottom Parameter Memory Map**

		Size (KW)	Blk #	32 Mbit	Blk #	64 Mbit	Blk #	128 Mbit
<b>Main Partitions</b>	Sixteen Partitions	32					262	7F8000-7FFFFFFF
		: ·					: ·	
		32					135	400000-407FFF
	Eight Partitions	32			134	3F8000-3FFFFFFF	134	3F8000-3FFFFFFF
		: ·			: ·	: ·	: ·	
		32			71	200000-207FFF	71	200000-207FFF
	Four Partitions	32	70	1F8000-1FFFFFFF	70	1F8000-1FFFFFFF	70	1F8000-1FFFFFFF
		: ·	: ·	: ·	: ·	: ·	: ·	: ·
		32	39	100000-107FFF	39	100000-107FFF	39	100000-107FFF
	One Partition	32	38	0F8000-0FFFFFFF	38	0F8000-0FFFFFFF	38	0F8000-0FFFFFFF
		: ·	: ·	: ·	: ·	: ·	: ·	: ·
	One Partition	32	31	0C0000-0C7FFF	31	0C0000-0C7FFF	31	0C0000-0C7FFF
		: ·	: ·	: ·	: ·	: ·	: ·	: ·
	One Partition	32	30	0B8000-0BFFFF	30	0B8000-0BFFFF	30	0B8000-0BFFFF
		: ·	: ·	: ·	: ·	: ·	: ·	: ·
	One Partition	32	23	080000-087FFF	23	080000-087FFF	23	080000-087FFF
: ·		: ·	: ·	: ·	: ·	: ·	: ·	
One Partition	32	22	078000-07FFFF	22	078000-07FFFF	22	078000-07FFFF	
	: ·	: ·	: ·	: ·	: ·	: ·	: ·	
One Partition	32	15	040000-047FFF	15	040000-047FFF	15	040000-047FFF	
	: ·	: ·	: ·	: ·	: ·	: ·	: ·	
Parameter Partition	One Partition	32	14	038000-03FFFF	14	038000-03FFFF	14	038000-03FFFF
		: ·	: ·	: ·	: ·	: ·	: ·	
	One Partition	32	8	008000-00FFFF	8	008000-00FFFF	8	008000-00FFFF
		4	7	007000-007FFF	7	007000-007FFF	7	007000-007FFF
		: ·	: ·	: ·	: ·	: ·	: ·	
4	0	000000-000FFF	0	000000-000FFF	0	000000-000FFF		

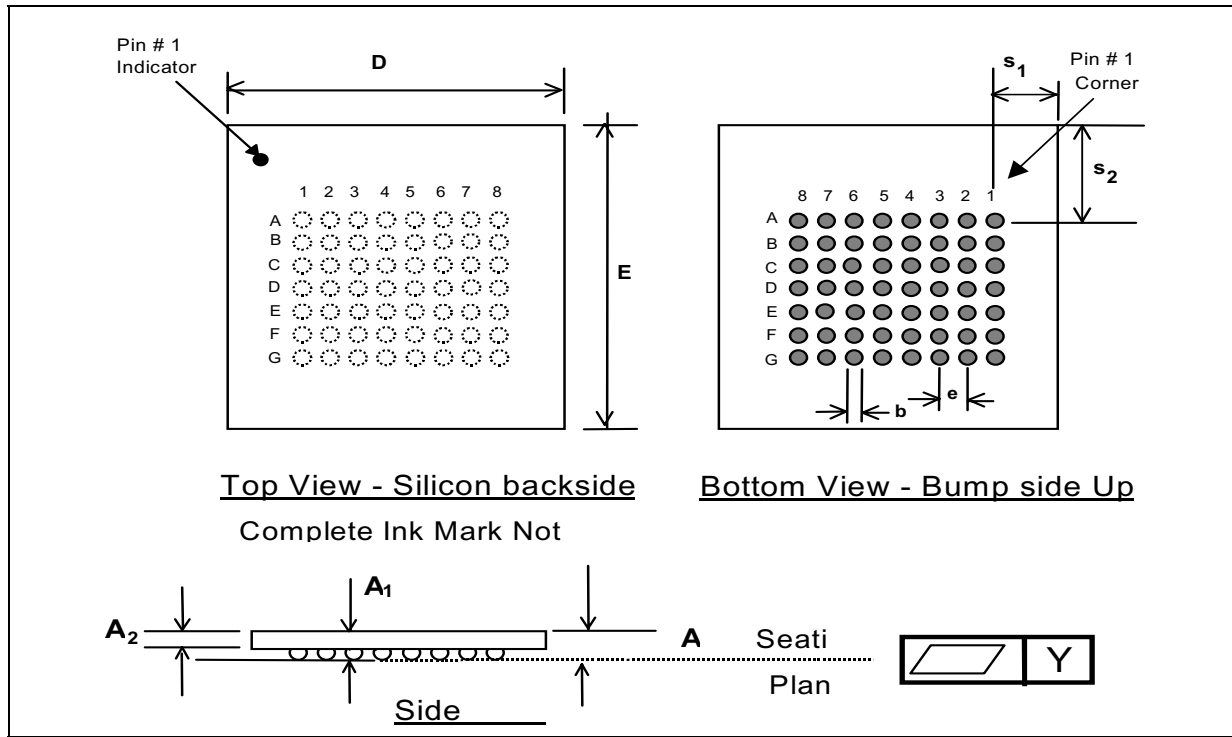
**Table 2. Top Parameter Memory Map**

		Size (KW)	Blk #	32 Mbit	Blk #	64 Mbit	Blk #	128 Mbit	
<b>Parameter Partition</b>	One Partition	4	70	1FF000-1FFFFFF	134	3FF000-3FFFFFF	262	7FF000-7FFFFFF	
		: ·	: ·	: ·	: ·	: ·	: ·	: ·	
		4	63	1F8000-1F8FFF	127	3F8000-3F8FFF	255	7F8000-7F8FFF	
		32	62	1F0000-1F7FFF	126	3F0000-3F7FFF	254	7F0000-7F7FFF	
		: ·	: ·	: ·	: ·	: ·	: ·	: ·	
		32	56	1C0000-1C7FFF	120	3C0000-3C7FFF	248	7C0000-7C7FFF	
<b>Main Partitions</b>	One Partition	32	55	1B8000-1BFFFF	119	3B8000-3BFFFF	247	7B8000-7BFFFF	
		: ·	: ·	: ·	: ·	: ·	: ·	: ·	
		32	48	18000-187FFF	112	380000-387FFF	240	780000-787FFF	
	One Partition	32	47	178000-17FFFF	111	378000-37FFFF	239	778000-77FFFF	
		: ·	: ·	: ·	: ·	: ·	: ·	: ·	
		32	40	140000-147FFF	104	340000-347FFF	232	740000-747FFF	
	One Partition	32	39	138000-13FFFF	103	338000-33FFFF	231	738000-73FFFF	
		: ·	: ·	: ·	: ·	: ·	: ·	: ·	
			32	32	100000-107FFF	96	300000-307FFF	224	700000-707FFF
	Four Partitions	32	31	0F8000-0FFFFFF	95	2F8000-2FFFFFF	223	6F8000-6FFFFFF	
		: ·	: ·	: ·	: ·	: ·	: ·	: ·	
			32	0	000000-007FFF	64	200000-207FFF	192	600000-607FFF
	Eight Partitions	32			63	1F8000-1FFFFFF	191	5F8000-5FFFFFF	
		: ·			: ·	: ·	: ·	: ·	
			32		0	000000-007FFF	128	400000-407FFF	
	Sixteen Partitions	32					127	3F8000-3FFFFFF	
		: ·					: ·	: ·	
			32				0	000000-007FFF	

### 3.0 Package Information

#### 3.1 W30 – 0.18 mm Lithography

Figure 1. 64-Mb  $\mu$ BGA\* CSP Package Drawing and Dimensions



	Symbol	Millimeters				Inches		
		Min	Nom	Max	Notes	Min	Nom	Max
Package Height	A	0.850		1.000		0.0335		0.0394
Ball Height	A1	0.150				0.0059		
Package Body Thickness	A2	0.612	0.712	0.812		0.0241	0.0280	0.0320
Ball (Lead) Width	b	0.300	0.350	0.400		0.0118	0.0138	0.0157
Package Body Width	D	7.600	7.700	7.800		0.2992	0.3031	0.3071
Package Body Length	E	8.900	9.000	9.100		0.3503	0.3543	0.3583
Pitch	[e]		0.750				0.0295	
Ball (Lead) Count	N		56				56	
Seating Plane Coplanarity	Y			0.100				0.0039
Corner to Ball A1 Distance Along D	S1	1.125	1.225	1.325		0.0443	0.0482	0.0522
Corner to Ball A1 Distance Along E	S2	2.150	2.250	2.350		0.0846	0.0886	0.0925

Figure 2. 32-Mb VF BGA Package Drawing

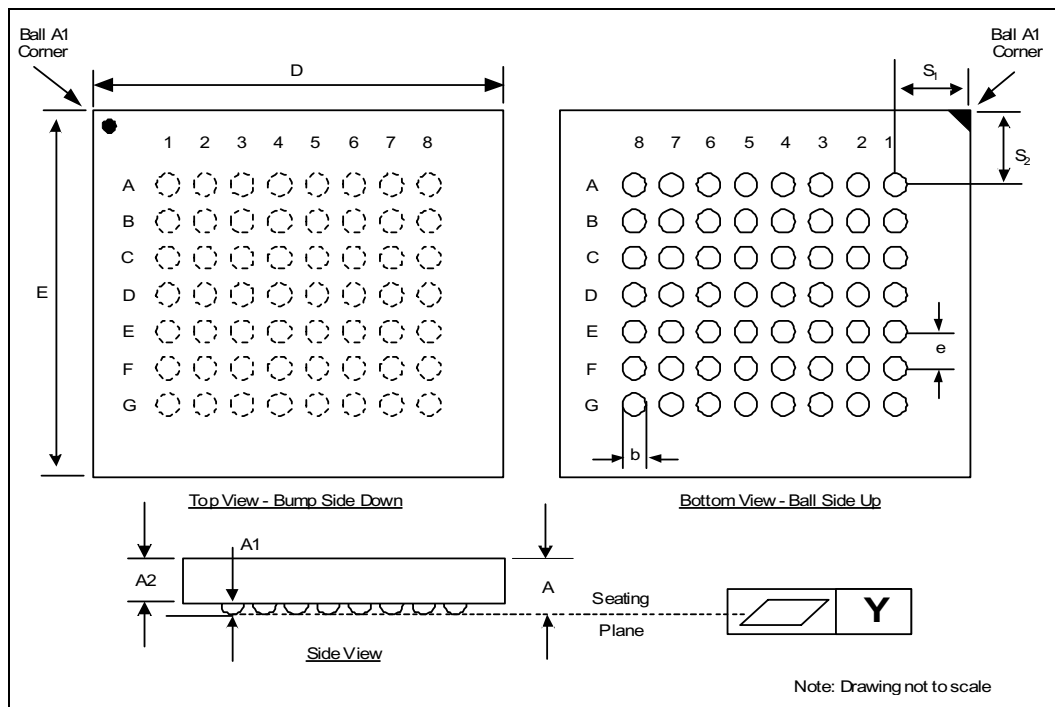
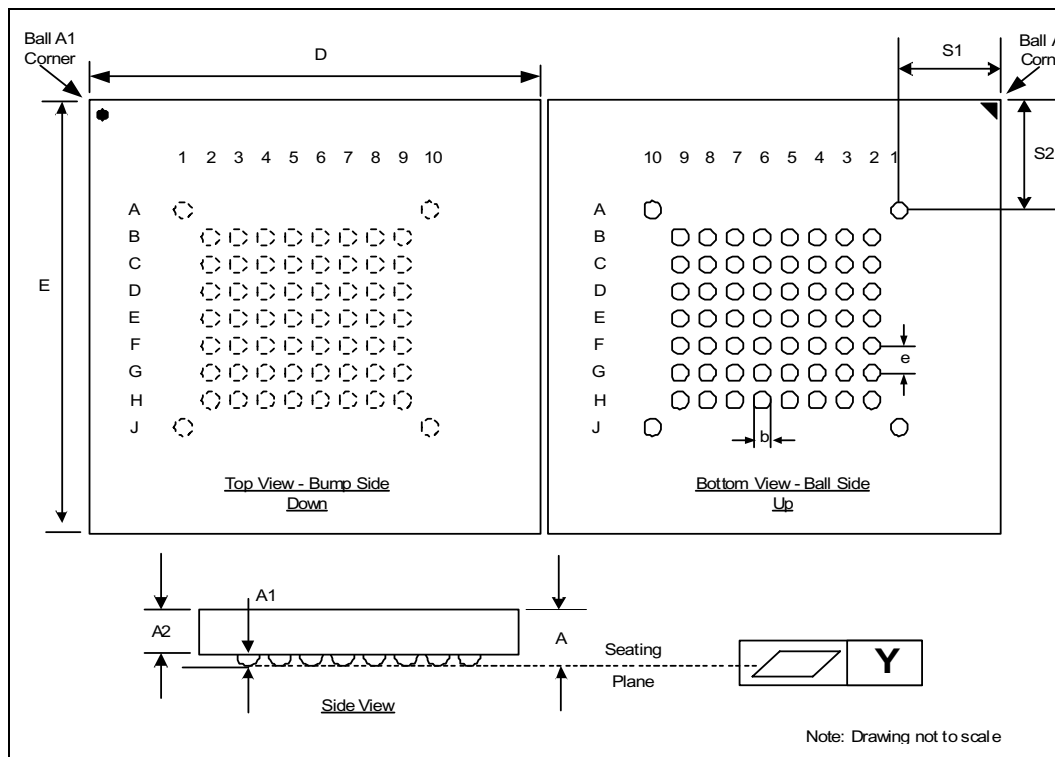


Figure 3. 128-Mb VF BGA Package Drawing



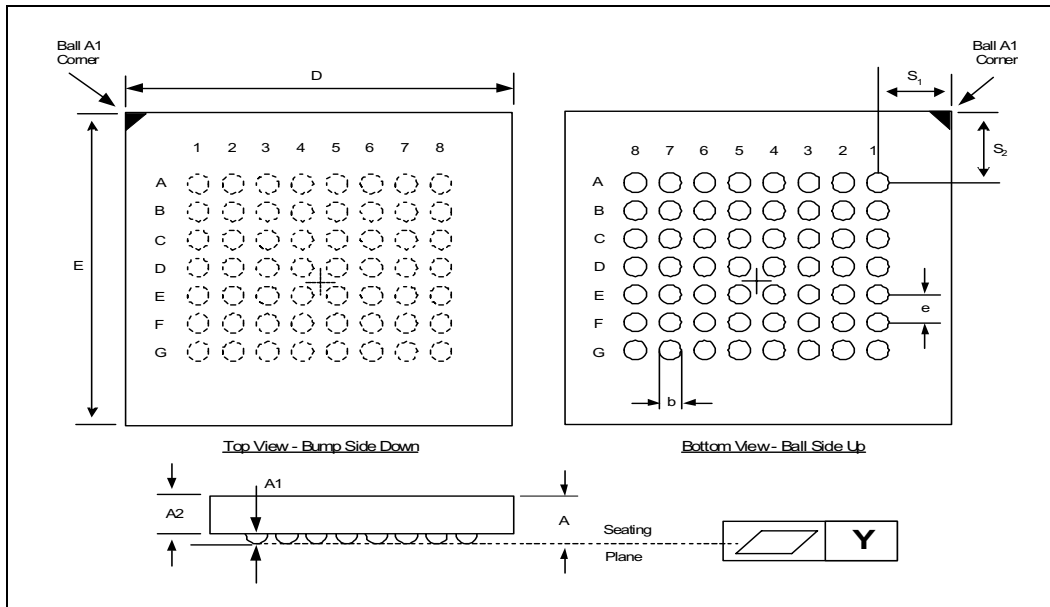


**Table 3. 32-Mbit and 128-Mbit VF BGA Package Dimensions**

Dimension	Symbol	Millimeters			Inches		
		Min	Nom	Max	Min	Nom	Max
Package Height	A	0.850	-	1.000	0.0335	-	0.0394
Ball Height	A <sub>1</sub>	0.150	-	-	0.0059	-	-
Package Body Thickness	A <sub>2</sub>	0.615	0.665	0.715	0.0242	0.0262	0.0281
Ball (Lead) Width	b	0.325	0.375	0.425	0.0128	0.0148	0.0167
Package Body Width 32Mb	D	7.600	7.700	7.800	0.2992	0.3031	0.3071
Package Body Length 32Mb	E	8.900	9.000	9.100	0.3503	0.3543	0.3583
Package Body Width 128Mb	D	12.400	12.500	12.600	0.4882	0.4921	0.4961
Package Body Length 128Mb	E	11.900	12.000	12.100	0.4685	0.4724	0.4764
Pitch	[e]	-	0.750	-	-	0.0295	-
Ball (Lead) Count 32Mb	N	-	56	-	-	56	-
Ball (Lead) Count 128Mb	N	-	60	-	-	60	-
Seating Plane Coplanarity	Y	-	-	0.100	-	-	0.0039
Corner to Ball A1 Distance Along D 32Mb	S <sub>1</sub>	1.125	1.225	1.325	0.0443	0.0482	0.0522
Corner to Ball A1 Distance Along E 32Mb	S <sub>2</sub>	2.150	2.250	2.350	0.0846	0.0886	0.0925
Corner to Ball A1 Distance Along D 128Mb	S <sub>1</sub>	2.775	2.875	2.975	0.1093	0.1132	0.1171
Corner to Ball A1 Distance Along E 128Mb	S <sub>2</sub>	2.900	3.000	3.1000	0.1142	0.1181	0.1220

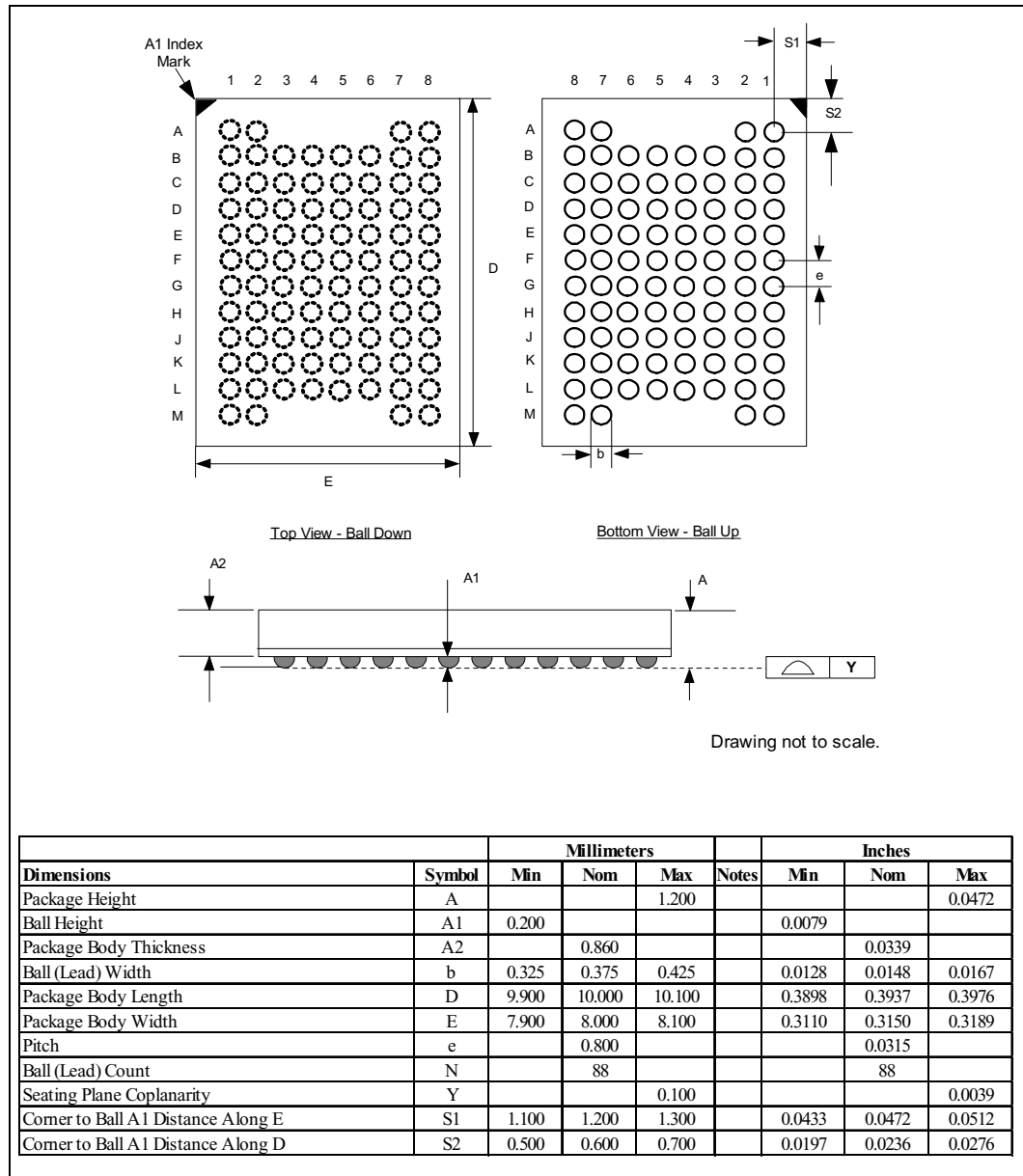
### 3.2 W30 – 0.13 mm Lithography

Figure 4. 32-, 64- and 128-Mbit VF BGA CSP Package Drawing



Dimension	Symbol	Millimeters			Inches		
		Min	Nom	Max	Min	Nom	Max
Package Height	A	-	-	1.000	-	-	0.0394
Ball Height	A <sub>1</sub>	0.150	-	-	0.0059	-	-
Package Body Thickness	A <sub>2</sub>	-	0.665	-	-	0.0262	-
Ball (Lead) Width	b	0.325	0.375	0.425	0.0128	0.0148	0.0167
Package Body Width (32 Mb, 64 Mb)	D	7.600	7.700	7.800	0.2992	0.3031	0.3071
Package Body Width (128 Mb)	D	10.900	11.000	11.100	0.4291	0.4331	0.4370
Package Body Length (32 Mb, 64 Mb, 128 Mb)	E	8.900	9.000	9.100	0.3504	0.3543	0.3583
Pitch	[e]	-	0.750	-	-	0.0295	-
Ball (Lead) Count	N	-	56	-	-	56	-
Seating Plane Coplanarity	Y	-	-	0.100	-	-	0.0039
Corner to Ball A1 Distance Along D (32 Mb, 64 Mb)	S <sub>1</sub>	1.125	1.225	1.325	0.0443	0.0482	0.0522
Corner to Ball A1 Distance Along D (128 Mb)	S <sub>1</sub>	2.775	2.2875	2.975	0.1093	0.1132	0.1171
Corner to Ball A1 Distance Along E (32 Mb, 64 Mb, 128 Mb)	S <sub>2</sub>	2.150	2.250	2.350	0.0846	0.0886	0.0925

Figure 5. 64Mbit and 128Mbit QUAD+ Package Drawing

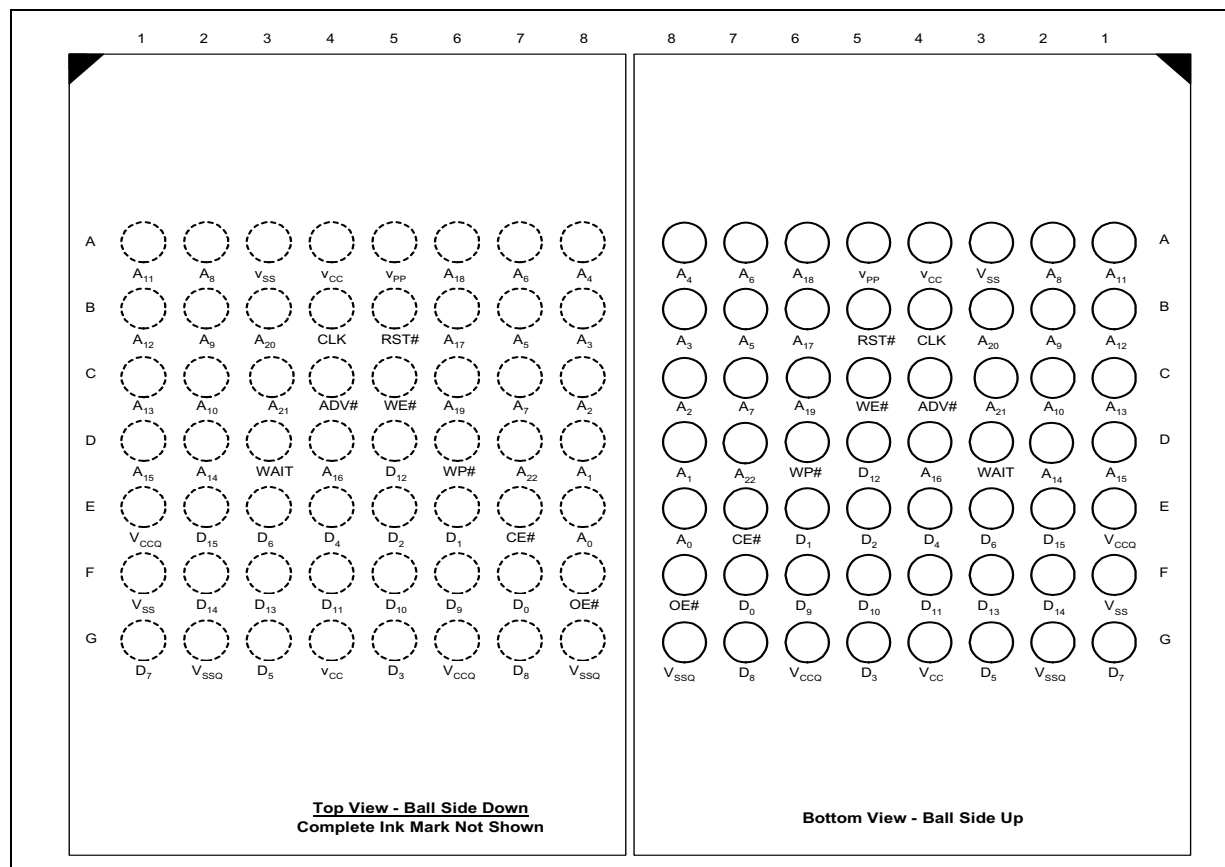


## 4.0 Ballout and Signal Descriptions

### 4.1 Signal Ballout

The W30 is available in the 56-ball VF BGA and  $\mu$ BGA Chip Scale Package with 0.75 mm ball pitch, or the QUAD+ SCSP package. Figure 6 shows the VF BGA and  $\mu$ BGA package ballout. Figure 7 shows the QUAD+ package ballout.

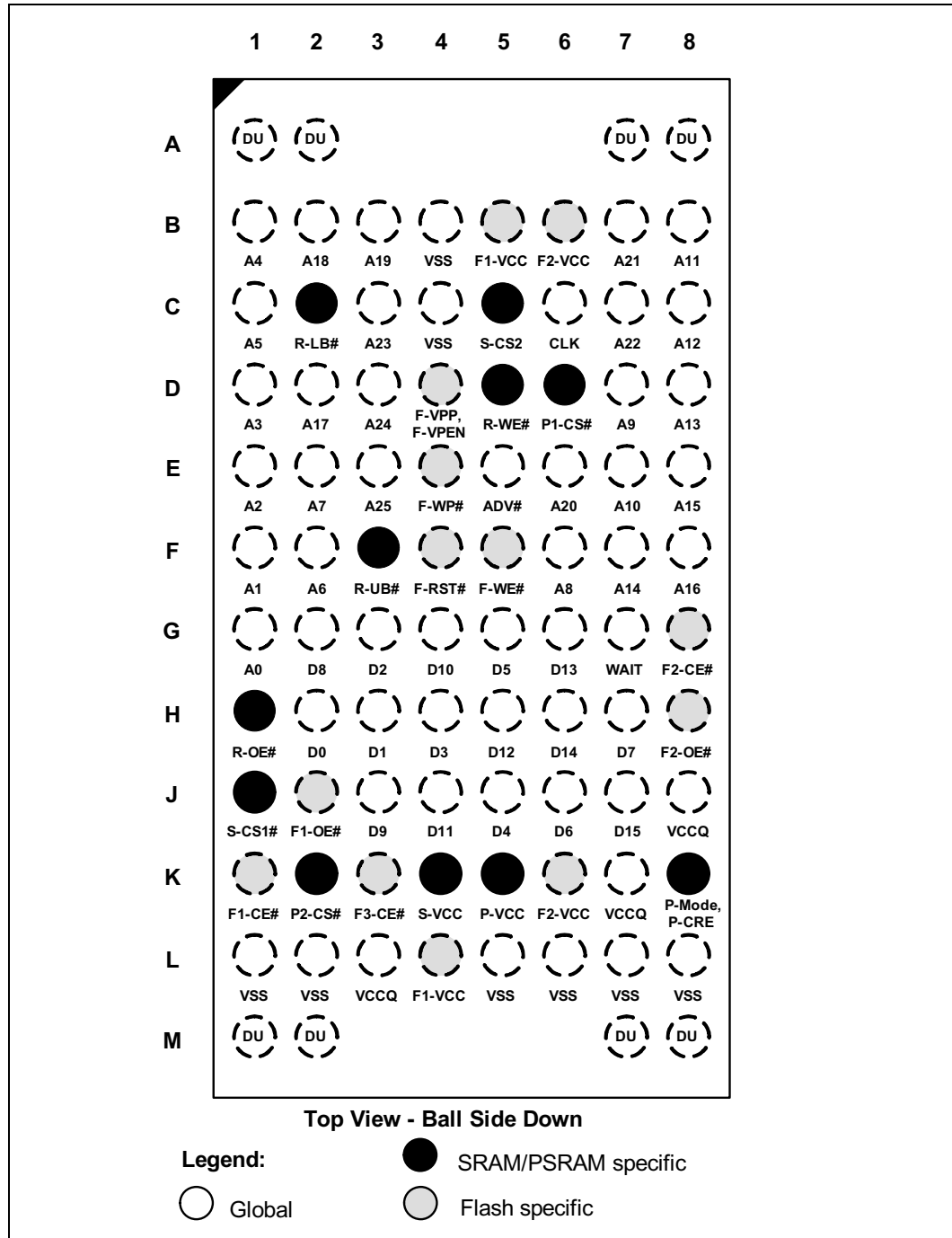
Figure 6. 56-Ball VF BGA/  $\mu$ BGA Ballout



**NOTES:**

1. On lower density devices, upper address balls can be treated as NC. (i.e., on 32-Mbit density, A22 and A21 are NC).
2. See Appendix C, "Ordering Information" on page 96 for mechanical specifications for the package.

Figure 7. 88-Ball (80 active balls) QUAD+ Ballout



**NOTES:**

1. On lower density devices, upper address balls can be treated as NC (i.e., on 64-Mb density, A[25:23] are NC)
2. See [Appendix C, "Ordering Information" on page 96](#) for mechanical specifications for the package.

## 4.2 Signal Descriptions

Table 4 describes the signals.

**Table 4. Signal Descriptions**

Symbol	Type	Name and Function
A[22:0]	Input	<b>ADDRESS INPUTS:</b> For memory addresses. 32 Mbit: A[20:0]; 64 Mbit: A[21:0]; 128 Mbit: A[22:0]
D[15:0]	Input/ Output	<b>DATA INPUTS/OUTPUTS:</b> Inputs data and commands during write cycles; outputs data during reads. Data pins are High-Z when the device or outputs are deselected. Data is internally latched during writes.
ADV#	Input	<b>ADDRESS VALID:</b> ADV# indicates valid address presence on address inputs. During synchronous read operations, all addresses are latched on the rising edge of ADV#, or the next valid CLK edge with ADV# low, whichever occurs first.
CE#	Input	<b>CHIP ENABLE:</b> Asserting CE# activates internal control logic, I/O buffers, decoders, and sense amps. De-asserting CE# deselected the device, places it in standby mode, and tri-states all outputs.
CLK	Input	<b>CLOCK:</b> CLK synchronizes the device to the system bus frequency during synchronous reads and increments an internal address generator. During synchronous read operations, addresses are latched on ADV#'s rising edge or CLK's rising (or falling) edge, whichever occurs first.
OE#	Input	<b>OUTPUT ENABLE:</b> When asserted, OE# enables the device's output data buffers during a read cycle. When OE# is deasserted, data outputs are placed in a high-impedance state.
RST#	Input	<b>RESET:</b> When low, RST# resets internal automation and inhibits write operations. This provides data protection during power transitions. de-asserting RST# enables normal operation and places the device in asynchronous read-array mode.
WAIT	Output	<b>WAIT:</b> The WAIT signal indicates valid data during synchronous read modes. It can be configured to be asserted-high or asserted-low based on bit 10 of the Read Configuration Register. WAIT is tri-stated if CE# is deasserted. WAIT is not gated by OE#.
WE#	Input	<b>WRITE ENABLE:</b> WE# controls writes to the CUI and array. Addresses and data are latched on the rising edge of WE#.
WP#	Input	<b>WRITE PROTECT:</b> Disables/enables the lock-down function. When WP# is asserted, the lock-down mechanism is enabled and blocks marked lock-down cannot be unlocked through software. See <a href="#">Section 13.1, "Block Lock Operations" on page 69</a> for details on block locking.
VPP	Power/ Input	<b>ERASE AND PROGRAM POWER:</b> A valid voltage on this pin allows erasing or programming. Memory contents cannot be altered when $V_{PP} \leq V_{PPLK}$ . Block erase and program at invalid $V_{PP}$ voltages should not be attempted.  Set $V_{PP} = V_{CC}$ for in-system program and erase operations. To accommodate resistor or diode drops from the system supply, the $V_{IH}$ level of $V_{PP}$ can be as low as $V_{PP1}$ min. $V_{PP}$ must remain above $V_{PP1}$ min to perform in-system flash modification. $V_{PP}$ may be 0 V during read operations.  $V_{PP2}$ can be applied to main blocks for 1000 cycles maximum and to parameter blocks for 2500 cycles. $V_{PP}$ can be connected to 12 V for a cumulative total not to exceed 80 hours. Extended use of this pin at 12 V may reduce block cycling capability.
VCC	Power	<b>DEVICE POWER SUPPLY:</b> Writes are inhibited at $V_{CC} \leq V_{LKO}$ . Device operations at invalid $V_{CC}$ voltages should not be attempted.
VCCQ	Power	<b>OUTPUT POWER SUPPLY:</b> Enables all outputs to be driven at $V_{CCQ}$ .
VSS	Power	<b>GROUND:</b> Pins for all internal device circuitry must be connected to system ground.
VSSQ	Power	<b>OUTPUT GROUND:</b> Provides ground to all outputs which are driven by $V_{CCQ}$ . This signal may be tied directly to VSS.
DU	—	<b>DO NOT USE:</b> Do not use this pin. This pin should not be connected to any power supplies, signals or other pins and must be floated.
NC	—	<b>NO CONNECT:</b> No internal connection; can be driven or floated.

## 5.0 Maximum Ratings and Operating Conditions

### 5.1 Absolute Maximum Ratings

**Warning:** Stressing the device beyond the “Absolute Maximum Ratings” may cause permanent damage. These are stress ratings only. Operation beyond the “Operating Conditions” is not recommended, and extended exposure beyond the “Operating Conditions” may affect device reliability.

**Notice:** This datasheet contains information on products in the design phase of development. The information here is subject to change without notice. Do not finalize a design with this information.

**Table 5. Absolute Maximum Ratings**

Parameter	Note	Maximum Rating
Temperature under Bias		–40 °C to +85 °C
Storage Temperature		–65 °C to +125 °C
Voltage on Any Pin (except $V_{CC}$ , $V_{CCQ}$ , $V_{PP}$ )		–0.5 V to +3.8 V
$V_{PP}$ Voltage	1,2,3	–0.2 V to +14 V
$V_{CC}$ Voltage	1	–0.2 V to +2.45 V
$V_{CCQ}$ Voltage	1	–0.2 V to +3.8 V
Output Short Circuit Current	4	100 mA

**NOTES:**

- All specified voltages are relative to  $V_{SS}$ . Minimum DC voltage is –0.5 V on input/output pins and –0.2 V on  $V_{CC}$  and  $V_{PP}$  pins. During transitions, this level may undershoot to –2.0 V for periods < 20 ns. Maximum DC voltage on input/output pins is  $V_{CC} + 0.5$  V which, during transitions, may overshoot to  $V_{CC} + 2.0$  V for periods < 20 ns.
- Maximum DC voltage on  $V_{PP}$  may overshoot to +14.0 V for periods < 20 ns.
- $V_{PP}$  program voltage is normally  $V_{PP1}$ .  $V_{PP}$  can be 12 V  $\pm$  0.6 V for 1000 cycles on the main blocks and 2500 cycles on the parameter blocks during program/erase.
- Output shorted for no more than one second. No more than one output shorted at a time.

### 5.2 Operating Conditions

**Table 6. Extended Temperature Operation (Sheet 1 of 2)**

Symbol	Parameter <sup>1</sup>	Note	Min	Nom	Max	Unit	
$T_A$	Operating Temperature		–40	25	85	°C	
$V_{CC}$	$V_{CC}$ Supply Voltage	3	1.7	1.8	1.90	V	
$V_{CCQ}$	I/O Supply Voltage	3	2.2	3.0	3.3		
$V_{PP1}$	$V_{PP}$ Voltage Supply (Logic Level)	2	0.90	1.80	1.95		
$V_{PP2}$	Factory Programming $V_{PP}$	2	11.4	12.0	12.6		
$t_{PPH}$	Maximum $V_{PP}$ Hours	$V_{PP} = 12$ V	2	-	-	80	Hours

Table 6. Extended Temperature Operation (Sheet 2 of 2)

Symbol	Parameter <sup>1</sup>	Note	Min	Nom	Max	Unit	
Block Erase Cycles	Main and Parameter Blocks	$V_{PP} \leq V_{CC}$	2	100,000	-	-	Cycles
	Main Blocks	$V_{PP} = 12\text{ V}$	2	-	-	1000	
	Parameter Blocks	$V_{PP} = 12\text{ V}$	2	-	-	2500	

**NOTES:**

1. See [Section 6.1, "DC Current Characteristics" on page 25](#) and [Section 6.2, "DC Voltage Characteristics" on page 26](#) for specific voltage-range specifications.
2.  $V_{PP}$  is normally  $V_{PP1}$ .  $V_{PP}$  can be connected to 11.4 V–12.6 V for 1000 cycles on main blocks for extended temperatures and 2500 cycles on parameter blocks at extended temperature.
3. Contact your Intel field representative for  $V_{CC}/V_{CCQ}$  operations down to 1.65 V.
4. See the tables in [Section 6.0, "Electrical Specifications" on page 25](#) and in [Section 7.0, "AC Characteristics" on page 27](#) for operating characteristics



## 6.0 Electrical Specifications

### 6.1 DC Current Characteristics

Table 7. DC Current Characteristics (Sheet 1 of 2)

Sym	Parameter <sup>(1)</sup>		Note	V <sub>CCQ</sub> = 3.0 V				Unit	Test Condition	
				32/64 Mbit		128 Mbit				
				Typ	Max	Typ	Max			
I <sub>LI</sub>	Input Load		9	-	±2	-	±2	μA	V <sub>CC</sub> = V <sub>CCMax</sub> V <sub>CCQ</sub> = V <sub>CCQMax</sub> V <sub>IN</sub> = V <sub>CCQ</sub> or GND	
I <sub>LO</sub>	Output Leakage	DQ[15:0]		-	±10	-	±10	μA	V <sub>CC</sub> = V <sub>CCMax</sub> V <sub>CCQ</sub> = V <sub>CCQMax</sub> V <sub>IN</sub> = V <sub>CCQ</sub> or GND	
.18 μm I <sub>CCS</sub>	V <sub>CC</sub> Standby		10	6	21	6	30	μA	V <sub>CC</sub> = V <sub>CCMax</sub> V <sub>CCQ</sub> = V <sub>CCQMax</sub> CE# = V <sub>CCQ</sub> RST# = V <sub>CCQ</sub>	
.13 μm I <sub>CCS</sub>				8	50	8	70			
.18 μm I <sub>CCAPS</sub>	APS		11	6	21	6	30	μA	V <sub>CC</sub> = V <sub>CCMax</sub> V <sub>CCQ</sub> = V <sub>CCQMax</sub> CE# = V <sub>SSQ</sub> RST# = V <sub>CCQ</sub> All other inputs = V <sub>CCQ</sub> or V <sub>SSQ</sub>	
.13 μm I <sub>CCAPS</sub>				8	50	8	70			
I <sub>CCR</sub>	Average V <sub>CC</sub> Read	Asynchronous Page Mode f = 13 MHz	2	4	7	4	10	mA	4 Word Read	V <sub>CC</sub> = V <sub>CCMax</sub> CE# = V <sub>IL</sub> OE# = V <sub>IH</sub> Inputs = V <sub>IH</sub> or V <sub>IL</sub>
		Synchronous CLK = 40 MHz	2	7	15	7	15	mA	Burst length = 4	
				9	16	9	16	mA	Burst length = 8	
				11	19	11	19	mA	Burst length = 16	
				12	22	12	22	mA	Burst length = Continuous	
I <sub>CCW</sub>	V <sub>CC</sub> Program		3,4,5	18	40	18	40	mA	V <sub>PP</sub> = V <sub>PP1</sub> , Program in Progress	
				8	15	8	15	mA	V <sub>PP</sub> = V <sub>PP2</sub> , Program in Progress	
I <sub>CCE</sub>	V <sub>CC</sub> Block Erase		3,4,5	18	40	18	40	mA	V <sub>PP</sub> = V <sub>PP1</sub> , Block Erase in Progress	
				8	15	8	15	mA	V <sub>PP</sub> = V <sub>PP2</sub> , Block Erase in Progress	
I <sub>CCWS</sub>	V <sub>CC</sub> Program Suspend		6	6	21	6	30	μA	CE# = V <sub>CC</sub> , Program Suspended	
I <sub>CCES</sub>	V <sub>CC</sub> Erase Suspend		6	6	21	6	30	μA	CE# = V <sub>CC</sub> , Erase Suspended	
I <sub>PPS</sub> (I <sub>PPWS</sub> I <sub>PPES</sub> )	V <sub>PP</sub> Standby V <sub>PP</sub> Program Suspend V <sub>PP</sub> Erase Suspend		3	0.2	5	0.2	5	μA	V <sub>PP</sub> ≤ V <sub>CC</sub>	
I <sub>PPR</sub>	V <sub>PP</sub> Read			2	15	2	15	μA	V <sub>PP</sub> ≤ V <sub>CC</sub>	

Table 7. DC Current Characteristics (Sheet 2 of 2)

Sym	Parameter <sup>(1)</sup>	Note	V <sub>CCQ</sub> = 3.0 V				Unit	Test Condition
			32/64 Mbit		128 Mbit			
			Typ	Max	Typ	Max		
I <sub>PPW</sub>	V <sub>PP</sub> Program	4	0.05	0.10	0.05	0.10	mA	V <sub>PP</sub> = V <sub>PP1</sub> , Program in Progress
			8	22	16	37		V <sub>PP</sub> = V <sub>PP2</sub> , Program in Progress
I <sub>PPE</sub>	V <sub>PP</sub> Erase	4	0.05	0.10	0.05	0.10	mA	V <sub>PP</sub> = V <sub>PP1</sub> , Erase in Progress
			8	22	8	22		V <sub>PP</sub> = V <sub>PP2</sub> , Erase in Progress

**NOTES:**

- All currents are RMS unless noted. Typical values at typical V<sub>CC</sub>, T<sub>A</sub> = +25°C.
- Automatic Power Savings (APS) reduces I<sub>CCR</sub> to approximately standby levels in static operation. See I<sub>CCRQ</sub> specification for details.
- Sampled, not 100% tested.
- V<sub>CC</sub> read + program current is the sum of V<sub>CC</sub> read and V<sub>CC</sub> program currents.
- V<sub>CC</sub> read + erase current is the sum of V<sub>CC</sub> read and V<sub>CC</sub> erase currents.
- I<sub>CCES</sub> is specified with device deselected. If device is read while in erase suspend, current is I<sub>CCES</sub> plus I<sub>CCR</sub>.
- V<sub>PP</sub> ≤ V<sub>PPLK</sub> inhibits erase and program operations. Don't use V<sub>PPL</sub> and V<sub>PPH</sub> outside their valid ranges.
- V<sub>IL</sub> can undershoot to -0.4V and V<sub>IH</sub> can overshoot to V<sub>CCQ</sub>+0.4V for durations of 20 ns or less.
- If V<sub>IN</sub> > V<sub>CC</sub> the input load current increases to 10 μA max.
- I<sub>CCS</sub> is the average current measured over any 5ms time interval 5μs after a CE# de-assertion.
- Refer to section [Section 8.2, "Automatic Power Savings \(APS\)"](#) on page 44 for I<sub>CCAPS</sub> measurement details.
- TBD values are to be determined pending silicon characterization.

## 6.2 DC Voltage Characteristics

Table 8. DC Voltage Characteristics

Sym	Parameter <sup>(1)</sup>	Note	V <sub>CCQ</sub> = 3.0 V				Unit	Test Condition
			32/64 Mbit		128 Mbit			
			Min	Max	Min	Max		
V <sub>IL</sub>	Input Low	8	0	0.4	0	0.4	V	
V <sub>IH</sub>	Input High		V <sub>CCQ</sub> -0.4	V <sub>CCQ</sub>	V <sub>CCQ</sub> -0.4	V <sub>CCQ</sub>	V	
V <sub>OL</sub>	Output Low		-	0.1	-	0.1	V	V <sub>CC</sub> = V <sub>CCMin</sub> V <sub>CCQ</sub> = V <sub>CCQMin</sub> I <sub>OL</sub> = 100 μA
V <sub>OH</sub>	Output High		V <sub>CCQ</sub> -0.1	-	V <sub>CCQ</sub> -0.1	-	V	V <sub>CC</sub> = V <sub>CCMin</sub> V <sub>CCQ</sub> = V <sub>CCQMin</sub> I <sub>OH</sub> = -100 μA
V <sub>PPLK</sub>	V <sub>PP</sub> Lock-Out	7	-	0.4	-	0.4	V	
V <sub>LKO</sub>	V <sub>CC</sub> Lock		1.0	-	1.0	-	V	
V <sub>ILKOQ</sub>	V <sub>CCQ</sub> Lock		0.9	-	0.9	-	V	

**NOTE:** For all numbered note references in this table, refer to the notes in [Table 7, "DC Current Characteristics"](#) on page 25.

## 7.0 AC Characteristics

### 7.1 Read Operations - 0.13 μm Lithography

**Table 9. Read Operations - 0.13 μm Lithography (Sheet 1 of 2)**

#	Sym	Parameter <sup>1</sup>	32-Mbit 64-Mbit				128-Mbit		Units	Notes
			-70		-85		-70			
			Min	Max	Min	Max	Min	Max		
<b>Asynchronous Specifications</b>										
R1	t <sub>AVAV</sub>	Read Cycle Time	70	-	85	-	70	-	ns	6
R2	t <sub>AVQV</sub>	Address to Output Valid	-	70	-	85	-	70	ns	6
R3	t <sub>ELQV</sub>	CE# Low to Output Valid	-	70	-	85	-	70	ns	6
R4	t <sub>GLQV</sub>	OE# Low to Output Valid	-	30	-	30	-	30	ns	3
R5	t <sub>PHQV</sub>	RST# High to Output Valid	-	150	-	150	-	150	ns	
R6	t <sub>ELQX</sub>	CE# Low to Output Low-Z	0	-	0	-	0	-	ns	4
R7	t <sub>GLQX</sub>	OE# Low to Output Low-Z	0	-	0	-	0	-	ns	3,4
R8	t <sub>EHQZ</sub>	CE# High to Output High-Z	-	20	-	20	-	20	ns	4
R9	t <sub>GHQZ</sub>	OE# High to Output High-Z	-	14	-	14	-	14	ns	3,4
R10	t <sub>OH</sub>	CE# (OE#) High to Output Low-Z	0	-	0	-	0	-	ns	3,4
<b>Latching Specifications</b>										
R101	t <sub>AVVH</sub>	Address Setup to ADV# High	10	-	10	-	12	-	ns	
R102	t <sub>ELVH</sub>	CE# Low to ADV# High	10	-	10	-	12	-	ns	
R103	t <sub>VLQV</sub>	ADV# Low to Output Valid	-	70	-	85	-	70	ns	6
R104	t <sub>VLVH</sub>	ADV# Pulse Width Low	10	-	10	-	12	-	ns	
R105	t <sub>VHVL</sub>	ADV# Pulse Width High	10	-	10	-	12	-	ns	
R106	t <sub>VHAX</sub>	Address Hold from ADV# High	9	-	9	-	9	-	ns	2
R108	t <sub>APA</sub>	Page Address Access Time	-	25	-	25	-	25	ns	
<b>Clock Specifications</b>										
R200	f <sub>CLK</sub>	CLK Frequency	-	40	-	33	-	40	MHz	
R201	t <sub>CLK</sub>	CLK Period	25	-	30	-	25	-	ns	
R202	t <sub>CH/L</sub>	CLK High or Low Time	9.5	-	9.5	-	9.5	-	ns	
R203	t <sub>CHCL</sub>	CLK Fall or Rise Time	-	3	-	5	-	5	ns	

Table 9. Read Operations - 0.13  $\mu$ m Lithography (Sheet 2 of 2)

#	Sym	Parameter <sup>1</sup>	32-Mbit 64-Mbit				128-Mbit		Units	Notes
			-70		-85		-70			
			Min	Max	Min	Max	Min	Max		
<b>Synchronous Specifications</b>										
R301	t <sub>AVCH</sub>	Address Valid Setup to CLK	9	-	9	-	10	-	ns	
R302	t <sub>VLCH</sub>	ADV# Low Setup to CLK	10	-	10	-	10	-	ns	
R303	t <sub>ELCH</sub>	CE# Low Setup to CLK	9	-	9	-	9	-	ns	
R304	t <sub>CHQV</sub>	CLK to Output Valid	-	20	-	22	-	20	ns	
R305	t <sub>CHQX</sub>	Output Hold from CLK	5	-	5	-	5	-	ns	
R306	t <sub>CHAX</sub>	Address Hold from CLK	10	-	10	-	10	-	ns	2
R307	t <sub>CHTV</sub>	CLK to WAIT Valid	-	20	-	22	-	22	ns	
R308	t <sub>ELTV</sub>	CE# Low to WAIT Valid	-	20	-	22	-	22	ns	5
R309	t <sub>EHTZ</sub>	CE# High to WAIT High-Z	-	25	-	25	-	25	ns	4,5
R310	t <sub>EHEL</sub>	CE# Pulse Width High	20	-	20	-	20	-	ns	5

**NOTES:**

- See Figure 22, "AC Input/Output Reference Waveform" on page 47 for timing measurements and maximum allowable input slew rate.
- Address hold in synchronous-burst mode is defined as t<sub>CHAX</sub> or t<sub>VHAX</sub>, whichever timing specification is satisfied first.
- OE# may be delayed by up to t<sub>ELQV</sub> – t<sub>GLQV</sub> after the falling edge of CE# without impact to t<sub>ELQV</sub>.
- Sampled, not 100% tested.
- Applies only to subsequent synchronous reads.
- During the initial access of a synchronous burst read, data from the first word may begin to be driven onto the data bus as early as the first clock edge after t<sub>AVQV</sub>.

## 7.2 Read Operations - 0.18 $\mu$ m Lithography

**Table 10. Read Operations - 0.18  $\mu$ m Lithography (Sheet 1 of 2)**

#	Sym	Parameter <sup>1</sup>	32-Mbit 64-Mbit				128-Mbit		Units	Notes
			-70		-85		-90			
			Min	Max	Min	Max	Min	Max		
<b>Asynchronous Specifications</b>										
R1	t <sub>AVAV</sub>	Read Cycle Time	70	-	85	-	90	-	ns	6
R2	t <sub>AVQV</sub>	Address to Output Valid	-	70	-	85	-	90	ns	6
R3	t <sub>ELQV</sub>	CE# Low to Output Valid	-	70	-	85	-	90	ns	6
R4	t <sub>GLQV</sub>	OE# Low to Output Valid	-	30	-	30	-	30	ns	3
R5	t <sub>PHQV</sub>	RST# High to Output Valid	-	150	-	150	-	150	ns	
R6	t <sub>ELQX</sub>	CE# Low to Output Low-Z	0	-	0	-	0	-	ns	4
R7	t <sub>GLQX</sub>	OE# Low to Output Low-Z	0	-	0	-	0	-	ns	3,4
R8	t <sub>EHQZ</sub>	CE# High to Output High-Z	-	20	-	20	-	20	ns	4
R9	t <sub>GHQZ</sub>	OE# High to Output High-Z	-	14	-	14	-	14	ns	3,4
R10	t <sub>OH</sub>	CE# (OE#) High to Output Low-Z	0	-	0	-	0	-	ns	3,4
<b>Latching Specifications</b>										
R101	t <sub>AVVH</sub>	Address Setup to ADV# High	10	-	10	-	12	-	ns	
R102	t <sub>ELVH</sub>	CE# Low to ADV# High	10	-	10	-	12	-	ns	
R103	t <sub>VLQV</sub>	ADV# Low to Output Valid	-	70	-	85	-	90	ns	6
R104	t <sub>VLVH</sub>	ADV# Pulse Width Low	10	-	10	-	12	-	ns	
R105	t <sub>VHVL</sub>	ADV# Pulse Width High	10	-	10	-	12	-	ns	
R106	t <sub>VHAX</sub>	Address Hold from ADV# High	9	-	9	-	9	-	ns	2
R108	t <sub>APA</sub>	Page Address Access Time	-	25	-	25	-	30	ns	
<b>Clock Specifications</b>										
R200	f <sub>CLK</sub>	CLK Frequency	-	40	-	33	-	33	MHz	
R201	t <sub>CLK</sub>	CLK Period	25	-	30	-	30	-	ns	
R202	t <sub>CH/L</sub>	CLK High or Low Time	9.5	-	9.5	-	9.5	-	ns	
R203	t <sub>CHCL</sub>	CLK Fall or Rise Time	-	3	-	5	-	5	ns	

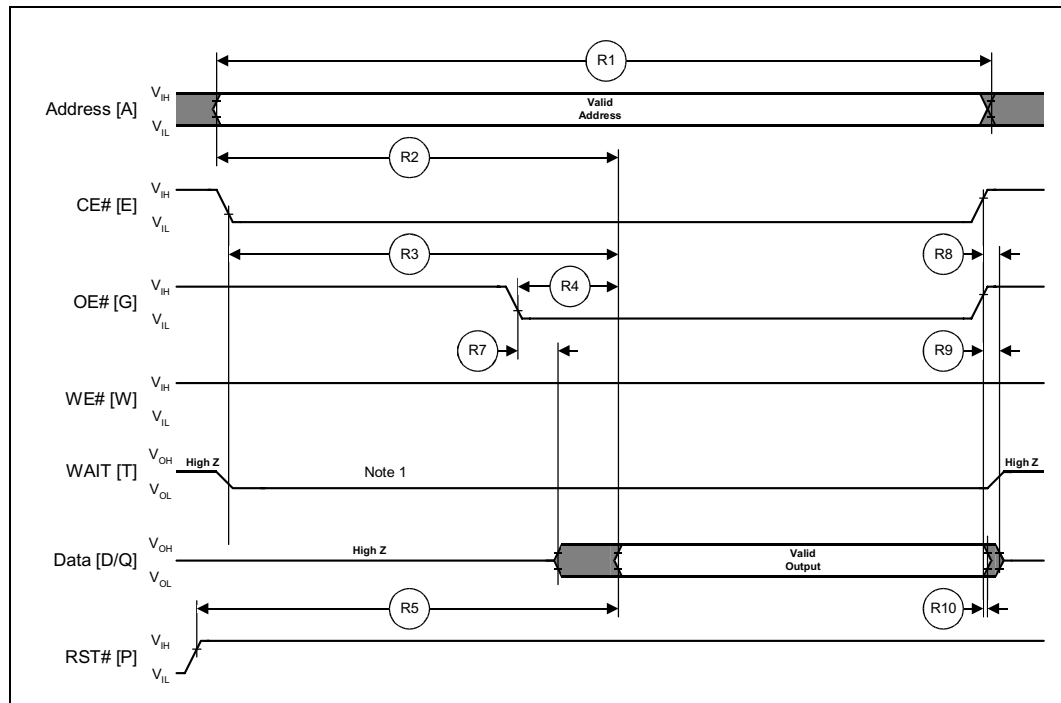
Table 10. Read Operations - 0.18  $\mu$ m Lithography (Sheet 2 of 2)

#	Sym	Parameter <sup>1</sup>	32-Mbit 64-Mbit				128-Mbit		Units	Notes
			-70		-85		-90			
			Min	Max	Min	Max	Min	Max		
<b>Synchronous Specifications</b>										
R301	$t_{AVCH}$	Address Valid Setup to CLK	9	-	9	-	10	-	ns	
R302	$t_{VLCH}$	ADV# Low Setup to CLK	10	-	10	-	10	-	ns	
R303	$t_{ELCH}$	CE# Low Setup to CLK	9	-	9	-	9	-	ns	
R304	$t_{CHQV}$	CLK to Output Valid	-	20	-	22	-	22	ns	
R305	$t_{CHQX}$	Output Hold from CLK	5	-	5	-	5	-	ns	
R306	$t_{CHAX}$	Address Hold from CLK	10	-	10	-	10	-	ns	2
R307	$t_{CHTV}$	CLK to WAIT Valid	-	20	-	22	-	22	ns	
R308	$t_{ELTV}$	CE# Low to WAIT Valid	-	20	-	22	-	22	ns	5
R309	$t_{EHTZ}$	CE# High to WAIT High-Z	-	25	-	25	-	25	ns	4,5
R310	$t_{EHEL}$	CE# Pulse Width High	20	-	20	-	20	-	ns	5

**NOTES:**

- See Figure 22, "AC Input/Output Reference Waveform" on page 47 for timing measurements and maximum allowable input slew rate.
- Address hold in synchronous-burst mode is defined as  $t_{CHAX}$  or  $t_{VHAX}$ , whichever timing specification is satisfied first.
- OE# may be delayed by up to  $t_{ELQV}$ –  $t_{GLQV}$  after the falling edge of CE# without impact to  $t_{ELQV}$ .
- Sampled, not 100% tested.
- Applies only to subsequent synchronous reads.
- During the initial access of a synchronous burst read, data from the first word may begin to be driven onto the data bus as early as the first clock edge after  $t_{AVQV}$ .

Figure 8. Asynchronous Read Operation Waveform



- NOTES:**
1. WAIT shown asserted (RCR[10]=0)
  2. ADV# assumed to be driven to V<sub>IL</sub> in this waveform

Figure 9. Latched Asynchronous Read Operation Waveform

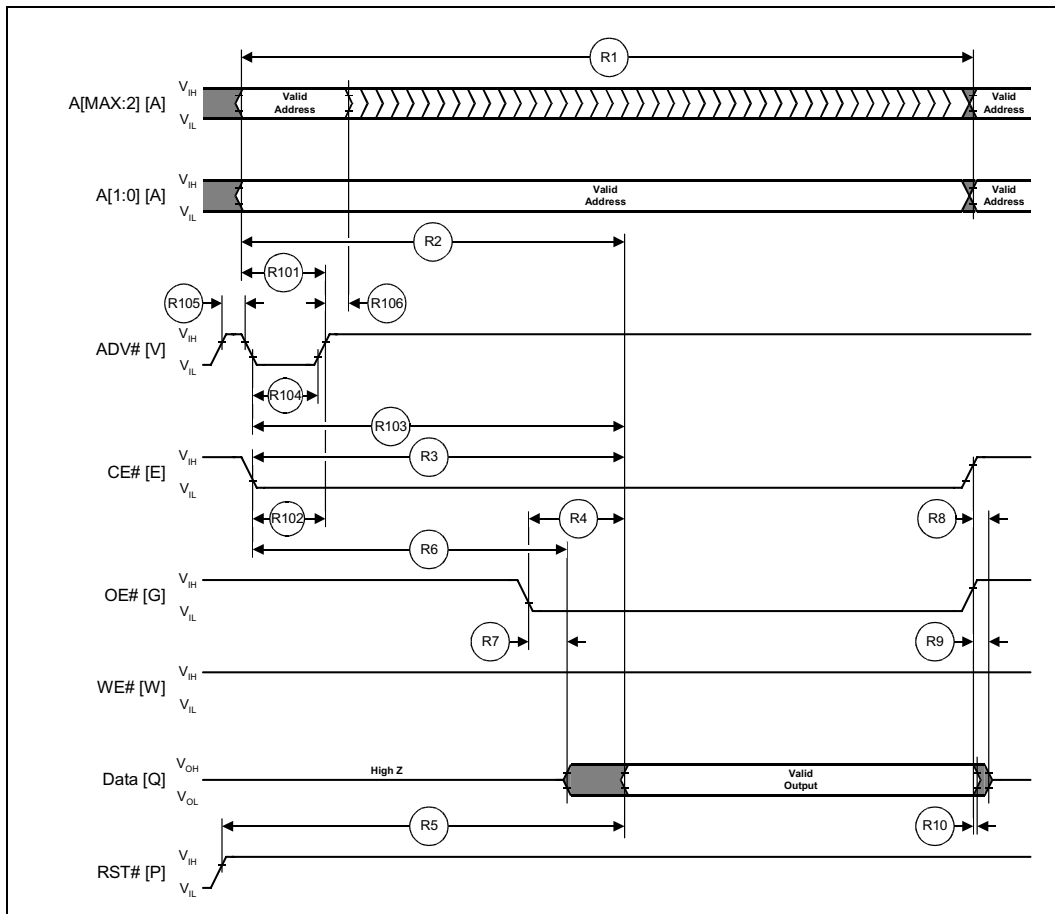
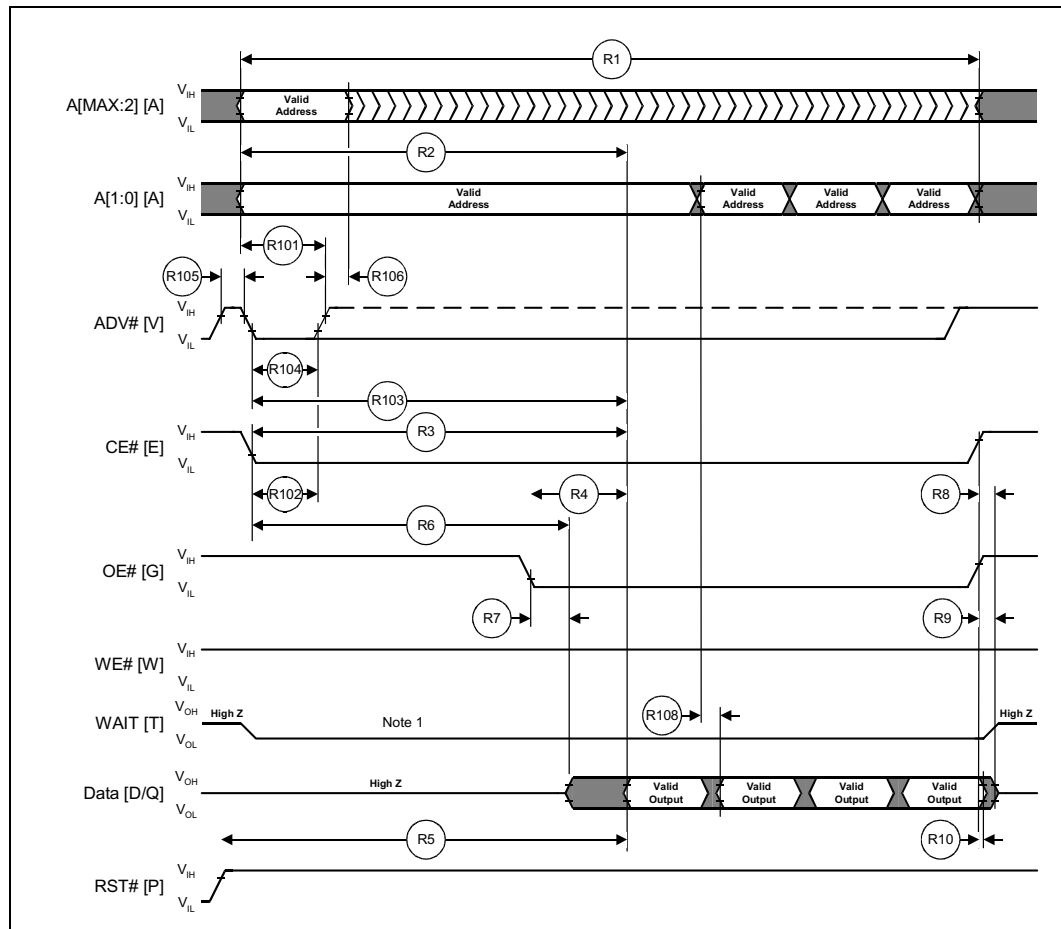


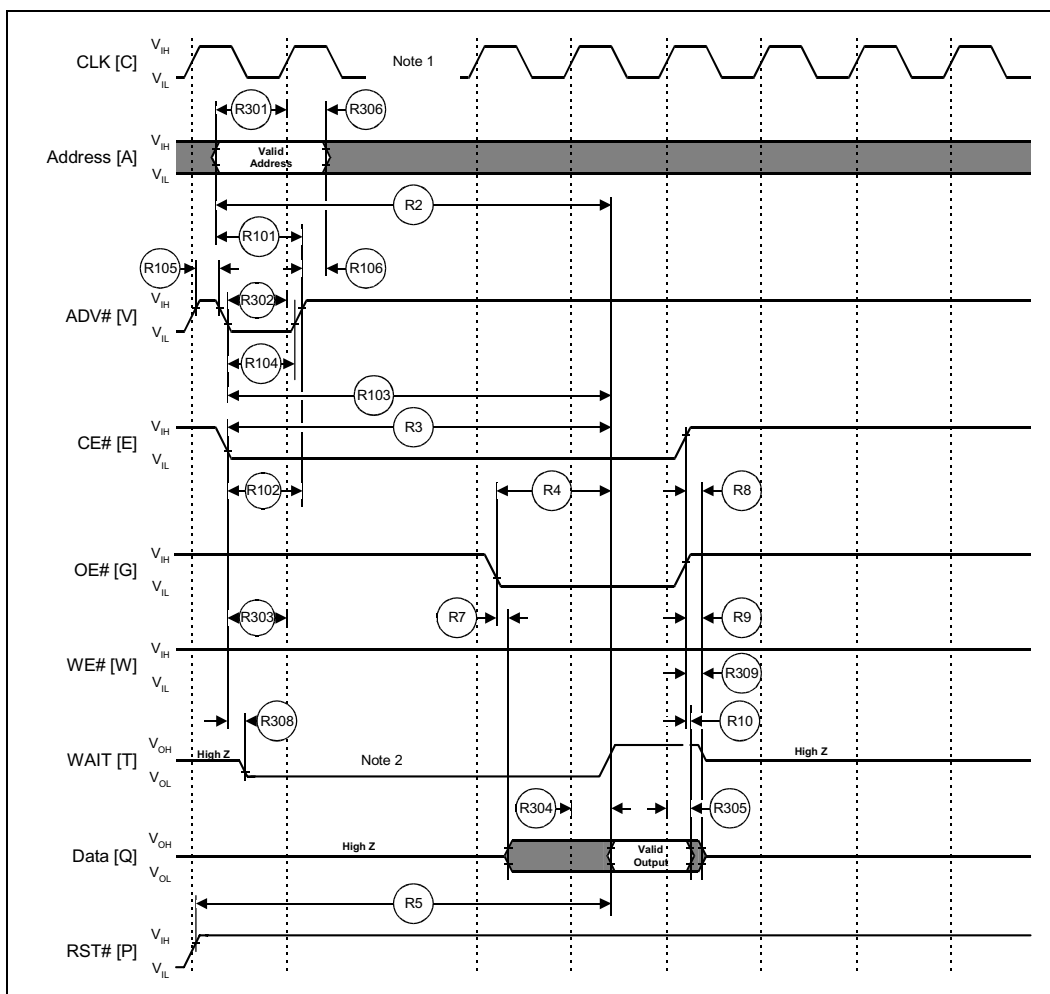


Figure 10. Page-Mode Read Operation Waveform



NOTE: WAIT shown asserted (RCR[10] = 0).

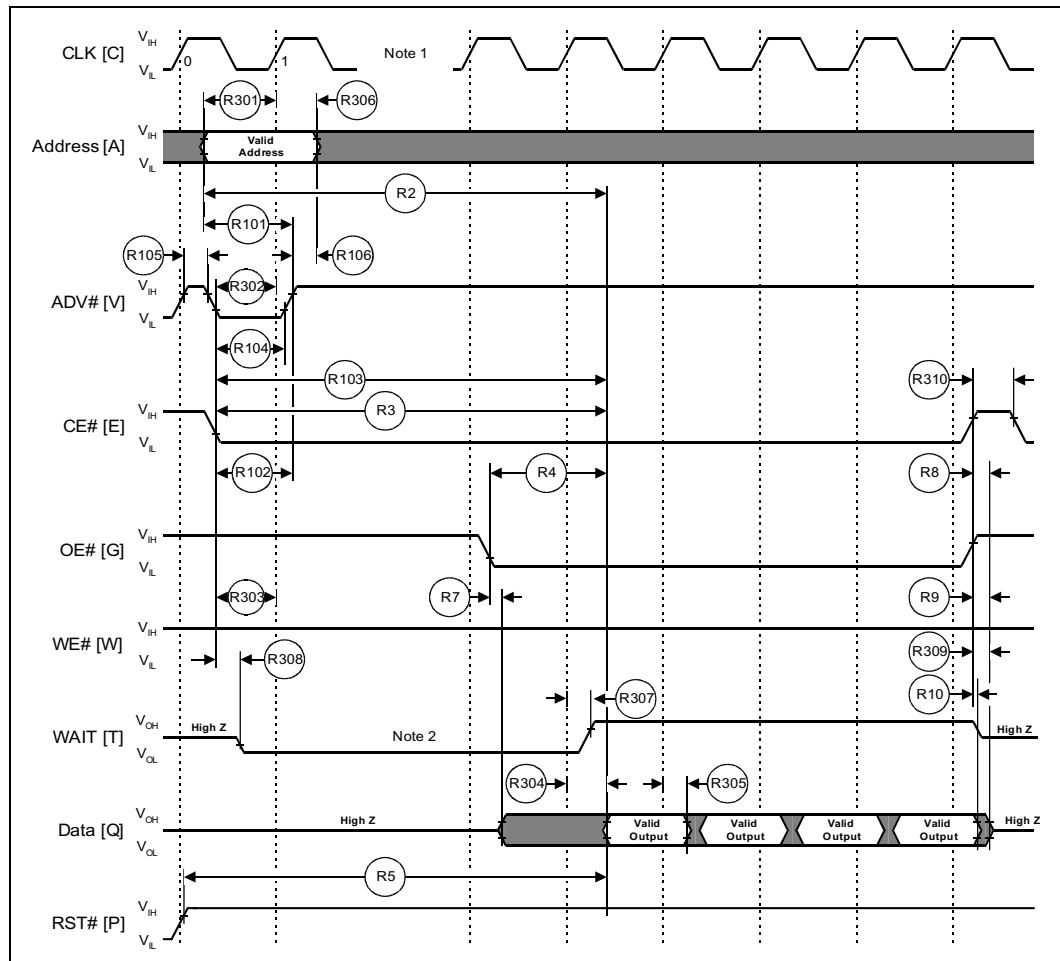
Figure 11. Single Synchronous Read-Array Operation Waveform



**NOTES:**

1. Section 14.2, "First Access Latency Count (RCR[13:11])" on page 78 describes how to insert clock cycles during the initial access.
2. WAIT (shown asserted; RCR[10]=0) can be configured to assert either during, or one data cycle before, valid data.
3. This waveform illustrates the case in which an x-word burst is initiated to the main array and it is terminated by a CE# de-assertion after the first word in the burst. If this access had been done to Status, ID, or Query reads, the asserted (low) WAIT signal would have remained asserted (low) as long as CE# is asserted (low).

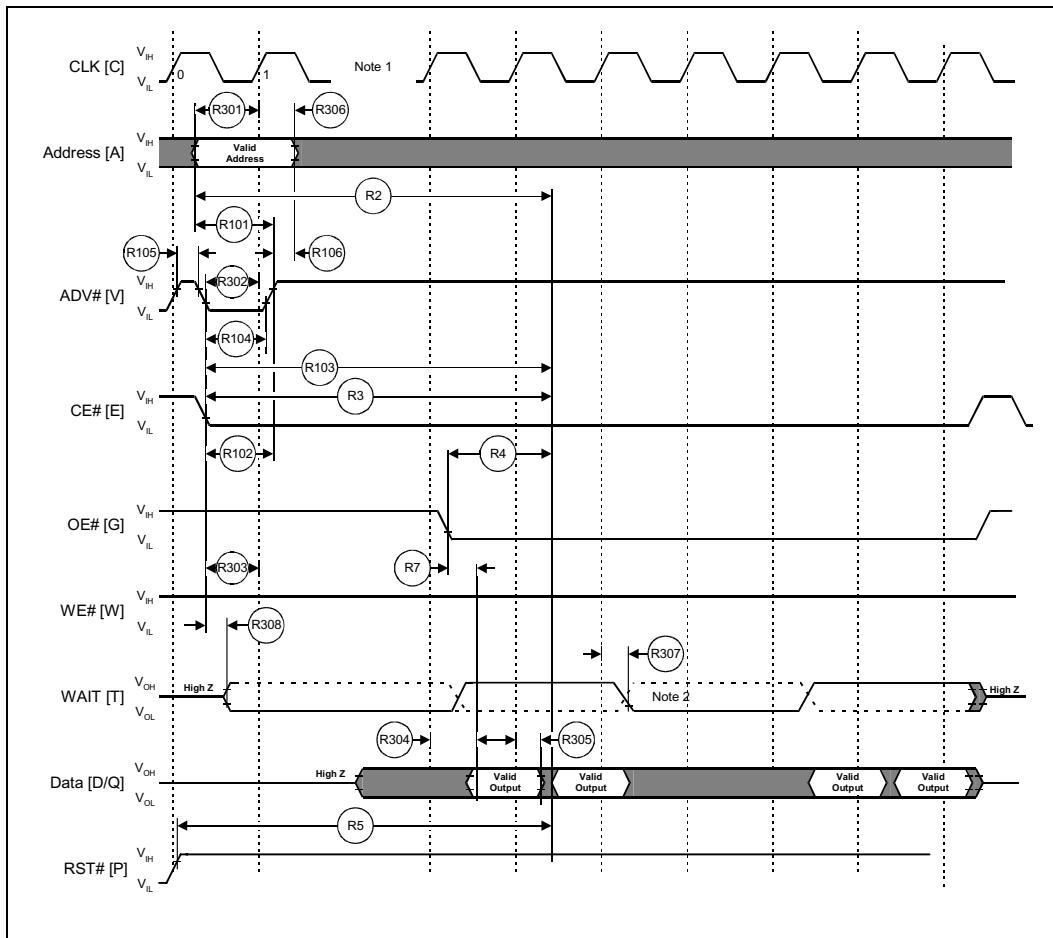
Figure 12. Synchronous 4-Word Burst Read Operation Waveform



**NOTES:**

1. Section 14.2, "First Access Latency Count (RCR[13:11])" on page 78 describes how to insert clock cycles during the initial access.
2. WAIT (shown asserted; RCR[10] = 0) can be configured to assert either during, or one data cycle before, valid data.

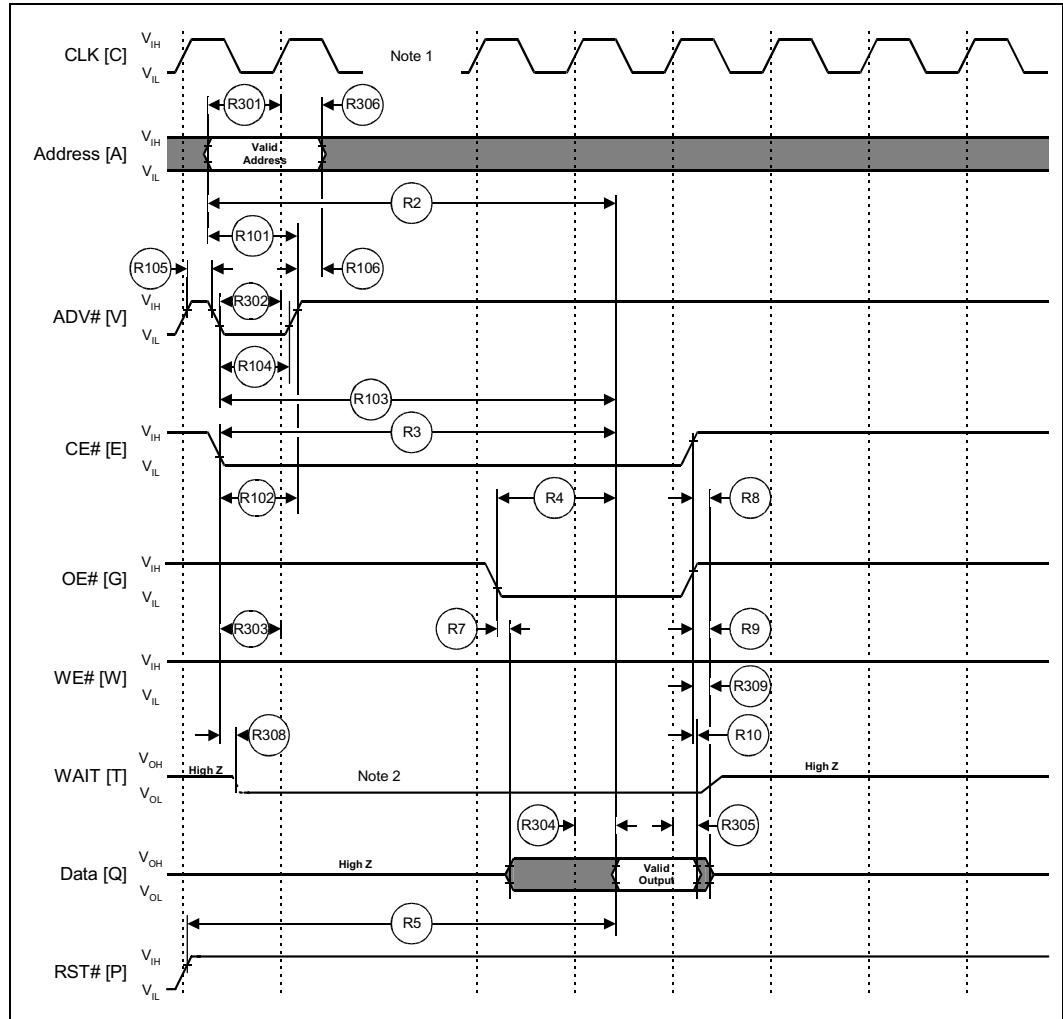
Figure 13. WAIT Functionality for EOWL (End-of-Word Line) Condition Waveform



**NOTES:**

1. Section 14.2, "First Access Latency Count (RCR[13:11])" on page 78 describes how to insert clock cycles during the initial access.
2. WAIT (shown asserted; RCR[10]=0) can be configured to assert either during, or one data cycle before, valid data. (assumed wait delay of two clocks for example)

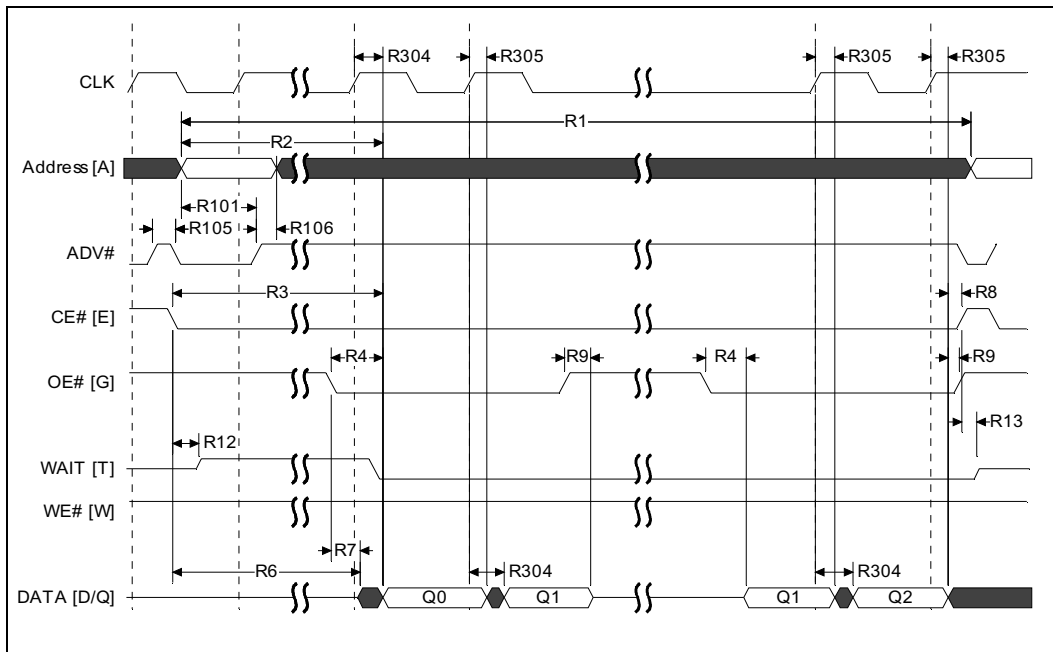
Figure 14. WAIT Signal in Synchronous Non-Read Array Operation Waveform



**NOTES:**

1. Section 14.2, "First Access Latency Count (RCR[13:11])" on page 78 describes how to insert clock cycles during the initial access.
2. WAIT shown asserted (RCR[10]=0).

Figure 15. Burst Suspend



**NOTE:**

1. During Burst Suspend Clock signal can be held high or low.

## 7.3 AC Write Characteristics

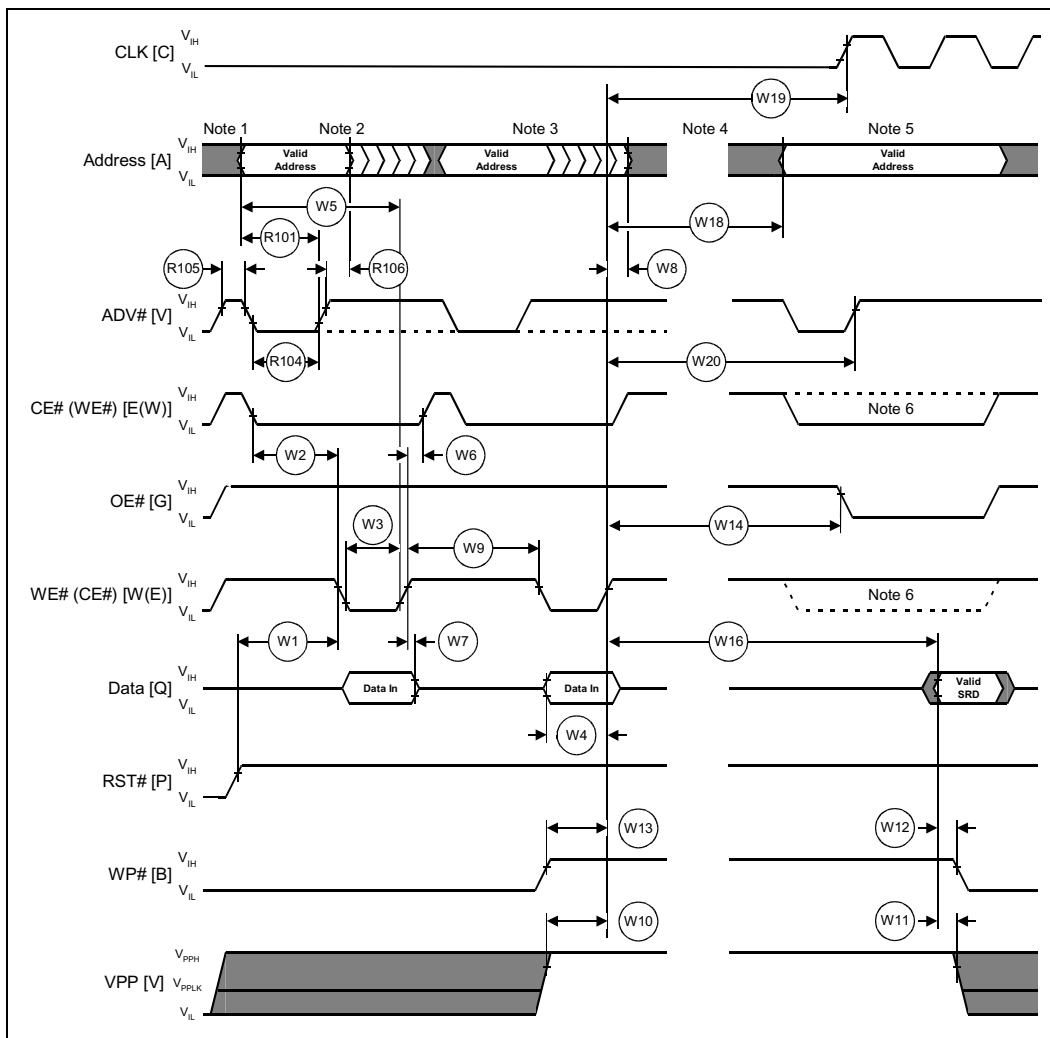
Table 11. AC Write Characteristics

#	Sym	Parameter <sup>1,2</sup>	Notes	32-Mbit 64-Mbit 128-Mbit				Unit
				-70		-85 / -90		
				Min	Max	Min	Max	
W1	$t_{PHWL}$ ( $t_{PHEL}$ )	RST# High Recovery to WE# (CE#) Low	3	150	-	150	-	ns
W2	$t_{ELWL}$ ( $t_{WLEL}$ )	CE# (WE#) Setup to WE# (CE#) Low		0	-	0	-	ns
W3	$t_{WLWH}$ ( $t_{ELEH}$ )	WE# (CE#) Write Pulse Width Low	4	45	-	60	-	ns
W4	$t_{DVWH}$ ( $t_{DVEH}$ )	Data Setup to WE# (CE#) High		45	-	60	-	ns
W5	$t_{AVWH}$ ( $t_{AVEH}$ )	Address Setup to WE# (CE#) High		45	-	60	-	ns
W6	$t_{WHEH}$ ( $t_{EHWH}$ )	CE# (WE#) Hold from WE# (CE#) High		0	-	0	-	ns
W7	$t_{WHDH}$ ( $t_{EHDX}$ )	Data Hold from WE# (CE#) High		0	-	0	-	ns
W8	$t_{WHAX}$ ( $t_{EHAX}$ )	Address Hold from WE# (CE#) High		0	-	0	-	ns
W9	$t_{WHWL}$ ( $t_{EHEL}$ )	WE# (CE#) Pulse Width High	5,6,7	25	-	25	-	ns
W10	$t_{VPWH}$ ( $t_{VPEH}$ )	VPP Setup to WE# (CE#) High	3	200	-	200	-	ns
W11	$t_{QVVL}$	VPP Hold from Valid SRD	3,8	0	-	0	-	ns
W12	$t_{QVBL}$	WP# Hold from Valid SRD	3,8	0	-	0	-	ns
W13	$t_{BHWL}$ ( $t_{BHEH}$ )	WP# Setup to WE# (CE#) High	3	200	-	200	-	ns
W14	$t_{WHGL}$ ( $t_{EHGL}$ )	Write Recovery before Read		0		0	-	ns
W16	$t_{WHQV}$	WE# High to Valid Data	3,6,10	$t_{AVQV} + 40$	-	$t_{AVQV} + 50$	-	ns
W18	$t_{WHAV}$	WE# High to Address Valid	3,9,10	0	-	0	-	ns
W19	$t_{WHCV}$	WE# High to CLK Valid	3,10	20	-	20	-	ns
W20	$t_{WHVH}$	WE# High to ADV# High	3,10	20	-	20	-	ns

**NOTES:**

- Write timing characteristics during erase suspend are the same as during write-only operations.
- A write operation can be terminated with either CE# or WE#.
- Sampled, not 100% tested.
- Write pulse width low ( $t_{WLWH}$  or  $t_{ELEH}$ ) is defined from CE# or WE# low (whichever occurs last) to CE# or WE# high (whichever occurs first). Hence,  $t_{WLWH} = t_{ELEH} = t_{WLEH} = t_{ELWH}$ .
- Write pulse width high ( $t_{WHWL}$  or  $t_{EHEL}$ ) is defined from CE# or WE# high (whichever is first) to CE# or WE# low (whichever is last). Hence,  $t_{WHWL} = t_{EHEL} = t_{WHEL} = t_{EHWL}$ .
- System designers should take this into account and may insert a software No-Op instruction to delay the first read after issuing a command.
- For commands other than resume commands.
- $V_{PP}$  should be held at  $V_{PP1}$  or  $V_{PP2}$  until block erase or program success is determined.
- Applicable during asynchronous reads following a write.
- $t_{WHCHL}$  OR  $t_{WHVH}$  must be met when transitioning from a write cycle to a synchronous burst read.  $t_{WHCHL}$  and  $t_{WHVH}$  both refer to the address latching event (either the rising/falling clock edge or the rising ADV# edge, whichever occurs first).

Figure 16. Write Operations Waveform



**NOTES:**

1.  $V_{CC}$  power-up and standby.
2. Write Program or Erase Setup command.
3. Write valid address and data (for program) or Erase Confirm command.
4. Automated program/erase delay.
5. Read status register data (SRD) to determine program/erase operation completion.
6. OE# and CE# must be asserted and WE# must be deasserted for read operations.
7. CLK is ignored (but may be kept active/toggling).



Figure 17. Asynchronous Read to Write Operation Waveform

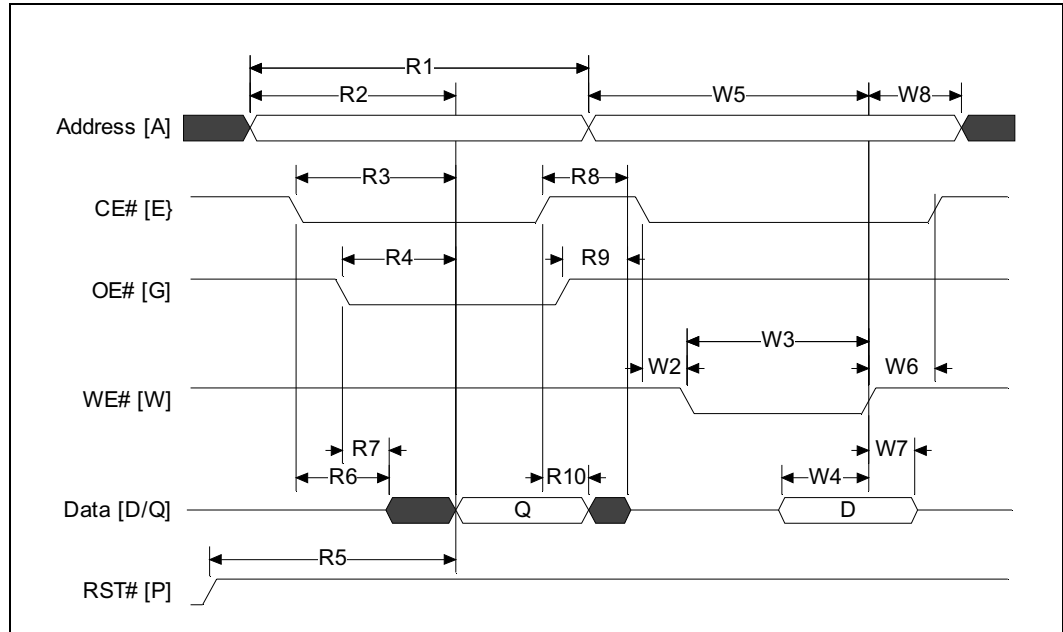


Figure 18. Asynchronous Write to Read Operation

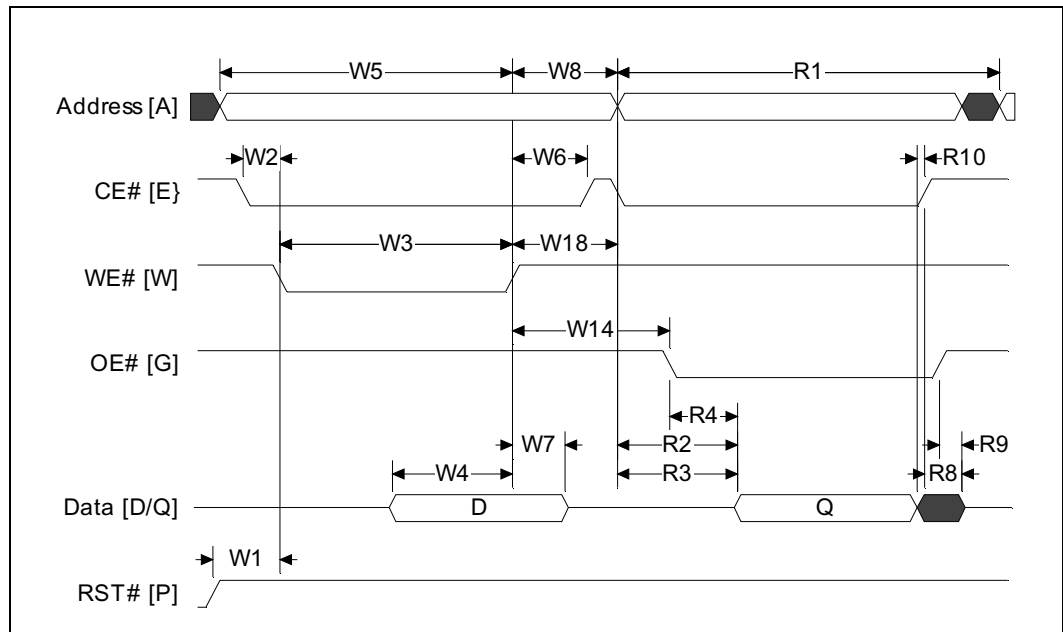


Figure 19. Synchronous Read to Write Operation

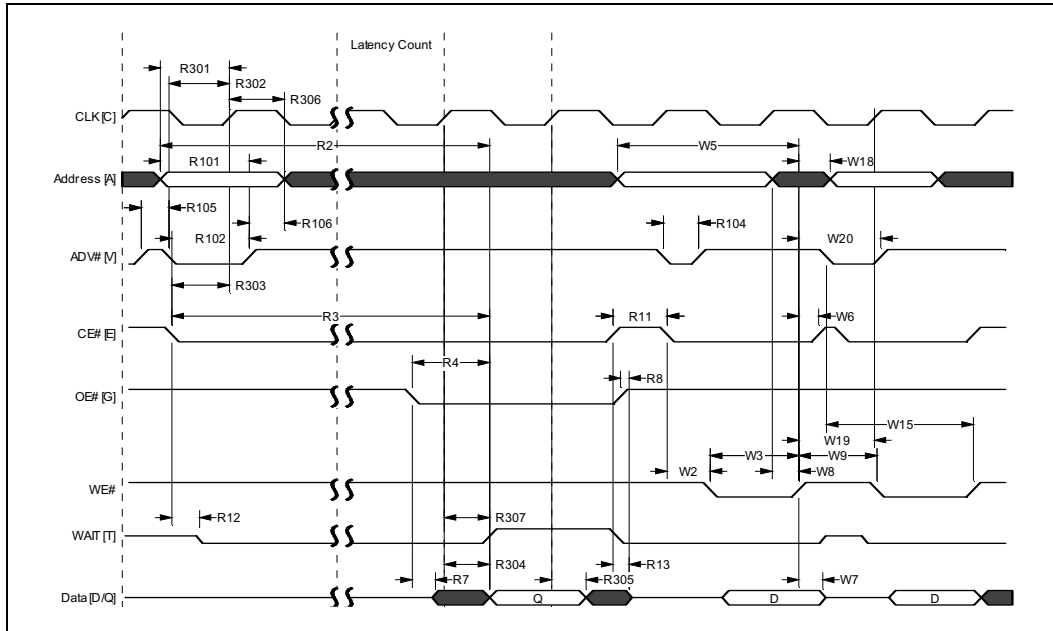
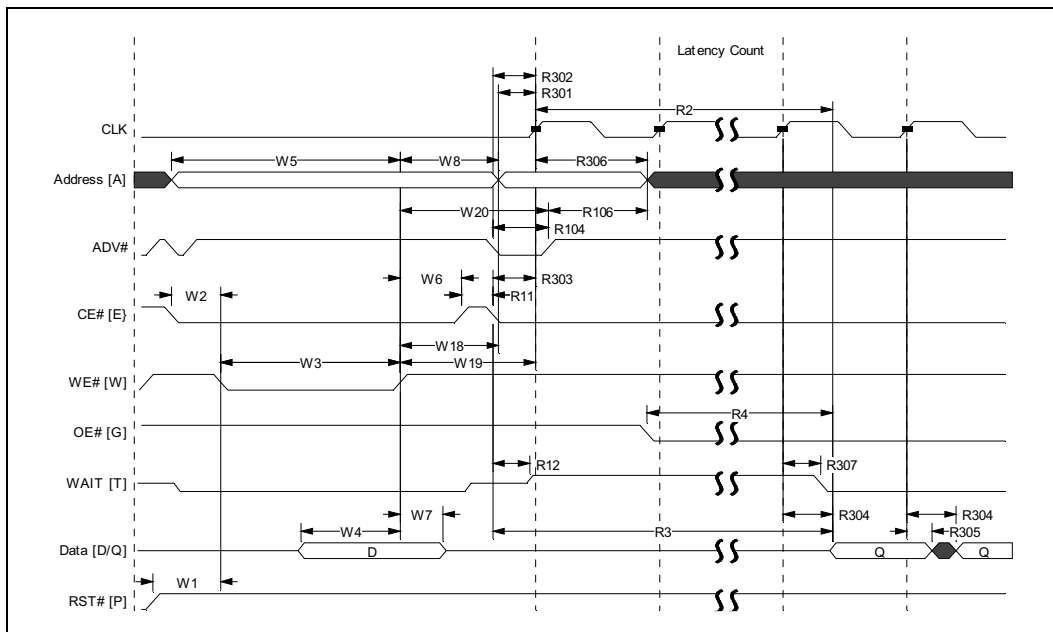


Figure 20. Synchronous Write To Read Operation



## 7.4 Erase and Program Times

**Table 12. Erase and Program Times**

Operation	Symbol	Parameter	Description <sup>1</sup>	Notes	V <sub>PP1</sub>		V <sub>PP2</sub>		Unit
					Typ	Max	Typ	Max	
<b>Erasing and Suspending</b>									
Erase Time	W500	t <sub>ERS/PB</sub>	4-Kword Parameter Block	2,3	0.3	2.5	0.25	2.5	s
	W501	t <sub>ERS/MB</sub>	32-Kword Main Block	2,3	0.7	4	0.4	4	s
Suspend Latency	W600	t <sub>SUSP/P</sub>	Program Suspend	2	5	10	5	10	μs
	W601	t <sub>SUSP/E</sub>	Erase Suspend	2	5	20	5	20	μs
<b>Programming</b>									
Program Time	W200	t <sub>PROG/W</sub>	Single Word	2	12	150	8	130	μs
	W201	t <sub>PROG/PB</sub>	4-Kword Parameter Block	2,3	0.05	.23	0.03	0.07	s
	W202	t <sub>PROG/MB</sub>	32-Kword Main Block	2,3	0.4	1.8	0.24	0.6	s
<b>Enhanced Factory Programming<sup>5</sup></b>									
Program	W400	t <sub>EFP/W</sub>	Single Word	4	N/A	N/A	3.5	16	μs
	W401	t <sub>EFP/PB</sub>	4-Kword Parameter Block	2,3	N/A	-	15	-	ms
	W402	t <sub>EFP/MB</sub>	32-Kword Main Block	2,3	N/A	-	120	-	ms
Operation Latency	W403	t <sub>EFP/SETUP</sub>	EFP Setup		-	N/A	-	5	μs
	W404	t <sub>EFP/TRAN</sub>	Program to Verify Transition		N/A	N/A	2.7	5.6	μs
	W405	t <sub>EFP/VERIFY</sub>	Verify		N/A	N/A	1.7	130	μs

**NOTES:**

1. Unless noted otherwise, all parameters are measured at T<sub>A</sub> = +25 °C and nominal voltages, and they are sampled, not 100% tested.
2. Excludes external system-level overhead.
3. Exact results may vary based on system overhead.
4. W400-Typ is the calculated delay for a single programming pulse. W400-Max includes the delay when programming within a new word-line.
5. Some EFP performance degradation may occur if block cycling exceeds 10.

## 8.0 Power and Reset Specifications

---

Intel® Wireless Flash Memory (W30) devices have a layered approach to power savings that can significantly reduce overall system power consumption. The APS feature reduces power consumption when the device is selected but idle. If CE# is deasserted, the memory enters its standby mode, where current consumption is even lower. Asserting RST# provides current savings similar to standby mode. The combination of these features can minimize memory power consumption, and therefore, overall system power consumption.

### 8.1 Active Power

With CE# at  $V_{IL}$  and RST# at  $V_{IH}$ , the device is in the active mode. Refer to [Section 6.1, “DC Current Characteristics” on page 25](#), for  $I_{CC}$  values. When the device is in “active” state, it consumes the most power from the system. Minimizing device active current therefore reduces system power consumption, especially in battery-powered applications.

### 8.2 Automatic Power Savings (APS)

Automatic Power Saving (APS) provides low power operation during a read’s active state.  $I_{CCAPS}$  is the average current measured over any 5 ms time interval, 5  $\mu$ s after CE# is deasserted. During APS, average current is measured over the same time interval 5  $\mu$ s after the following events:

- There is no internal read, program or erase activity.
- CE# is asserted.
- The address lines are quiescent, and at  $V_{IL}$  or  $V_{IH}$ .

OE# may be driven during APS.

### 8.3 Standby Power

When CE# is deasserted the device is deselected and placed in standby, substantially reducing power consumption. In standby, the data outputs are placed in High-Z, independent of the level placed on OE#. Standby current,  $I_{CCS}$ , is the average current measured over any 5 ms time interval, 5  $\mu$ s after CE# is deasserted. During standby, average current is measured over the same time interval 5  $\mu$ s after CE# is deasserted.

When the device is deselected (while CE# is deasserted) during a program or erase operation, it continues to consume active power until the program or erase operation is completed.

## 8.4 Power-Up/Down Characteristics

The device is protected against accidental block erasure or programming during power transitions. Power supply sequencing is not required if  $V_{CC}$  and  $V_{PP}$  are connected together; so it doesn't matter whether  $V_{PP}$  or  $V_{CC}$  powers-up first. If  $V_{PP}$  is not connected to the system supply, then  $V_{CC}$  should attain  $V_{CCMIN}$  before applying  $V_{CCQ}$  and  $V_{PP}$ . Device inputs should not be driven before supply voltage =  $V_{CCQMIN}$ . Power supply transitions should only occur when RST# is low.

### 8.4.1 System Reset and RST#

The use of RST# during system reset is important with automated program/erase devices because the system expects to read from the flash memory when it comes out of reset. If a CPU reset occurs without a flash memory reset, proper CPU initialization will not occur because the flash memory may be providing status information instead of array data. To allow proper CPU/flash initialization at system reset, connect RST# to the system CPU RESET# signal.

System designers must guard against spurious writes when VCC voltages are above  $V_{LKO}$ . Because both WE# and CE# must be low for a command write, driving either signal to  $V_{IH}$  inhibits writes to the device. The CUI architecture provides additional protection because alteration of memory contents can only occur after successful completion of the two-step command sequences. The device is also disabled until RST# is brought to  $V_{IH}$ , regardless of its control input states. By holding the device in reset (RST# connected to system PowerGood) during power-up/down, invalid bus conditions during power-up can be masked, providing yet another level of memory protection.

### 8.4.2 VCC, VPP, and RST# Transitions

The CUI latches commands issued by system software and is not altered by VPP or CE# transitions or WSM actions. Read-array mode is its power-up default state after exit from reset mode or after VCC transitions above  $V_{LKO}$  (Lockout voltage).

After completing program or block erase operations (even after VPP transitions below  $V_{PPLK}$ ), the Read Array command must reset the CUI to read-array mode if flash memory array access is desired.

## 8.5 Power Supply Decoupling

When the device is accessed, many internal conditions change. Circuits are enabled to charge pumps and switch voltages. This internal activity produces transient noise. To minimize the effect of this transient noise, device decoupling capacitors are required. Transient current magnitudes depend on the device outputs' capacitive and inductive loading. Two-line control and proper decoupling capacitor selection suppresses these transient voltage peaks. Each flash device should have a 0.1  $\mu$ F ceramic capacitor connected between each power ( $V_{CC}$ ,  $V_{CCQ}$ ,  $V_{PP}$ ), and ground ( $V_{SS}$ ,  $V_{SSQ}$ ) signal. High-frequency, inherently low-inductance capacitors should be as close as possible to package signals.

## 8.6 Reset Specifications

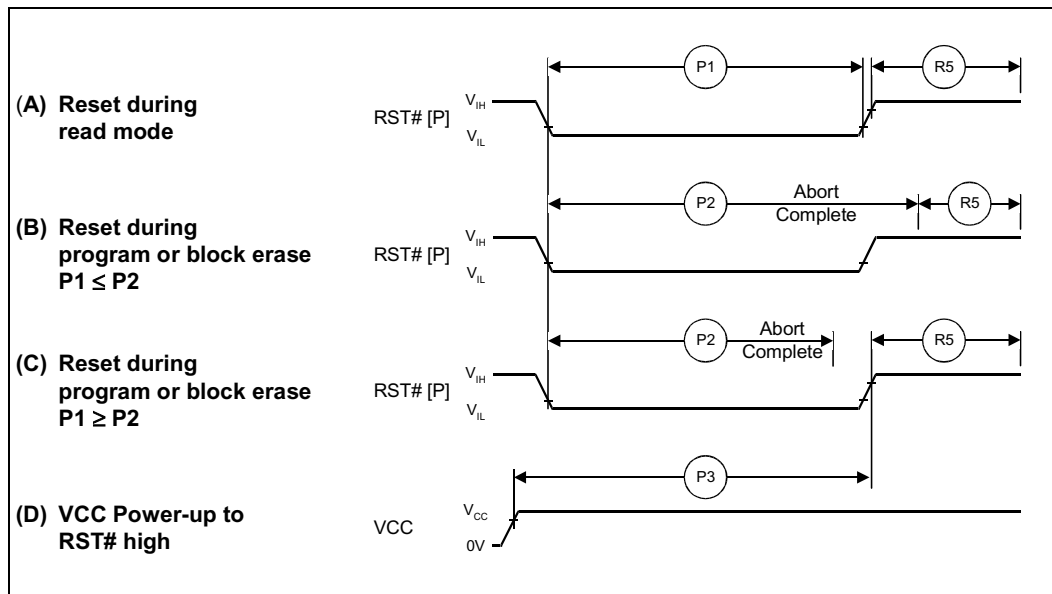
**Table 13. Reset Specifications**

#	Symbol	Parameter <sup>1</sup>	Notes	Min	Max	Unit
P1	$t_{PLPH}$	RST# Low to Reset during Read	1, 2, 3, 4	100	-	ns
P2	$t_{PLRH}$	RST# Low to Reset during Block Erase	1, 3, 4, 5	-	20	$\mu$ s
		RST# Low to Reset during Program	1, 3, 4, 5	-	10	$\mu$ s
P3	$t_{VCCPH}$	VCC Power Valid to Reset	1,3,4,5,6	60	-	$\mu$ s

**NOTES:**

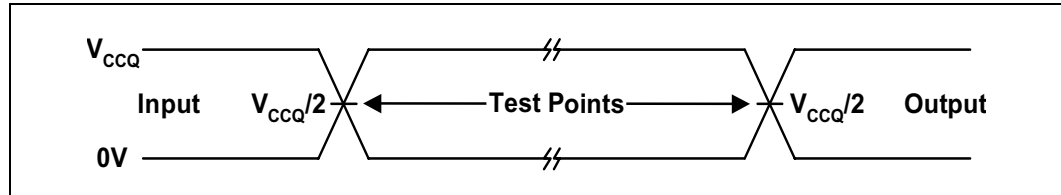
1. These specifications are valid for all product versions (packages and speeds).
2. The device may reset if  $t_{PLPH} < t_{PLPHMin}$ , but this is not guaranteed.
3. Not applicable if RST# is tied to VCC.
4. Sampled, but not 100% tested.
5. If RST# is tied to VCC, the device is not ready until  $t_{VCCPH}$  occurs after when  $V_{CC} \geq V_{CCMin}$ .
6. If RST# is tied to any supply/signal with  $V_{CCQ}$  voltage levels, the RST# input voltage must not exceed  $V_{CC}$  until  $V_{CC} \geq V_{CCMin}$ .

**Figure 21. Reset Operations Waveforms**



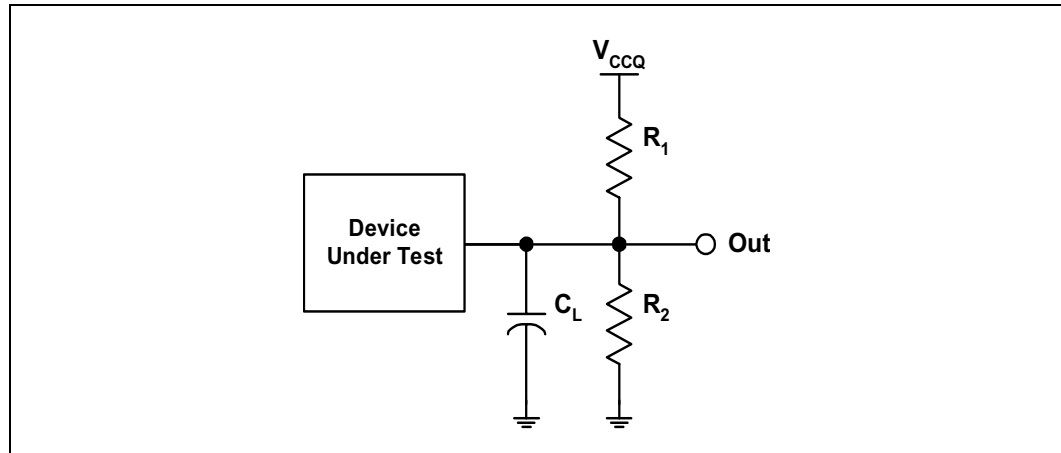
## 8.7 AC I/O Test Conditions

Figure 22. AC Input/Output Reference Waveform



**NOTE:** Input timing begins, and output timing ends, at  $V_{CCQ}/2$ . Input rise and fall times (10% to 90%) < 5 ns. Worst case speed conditions are when  $V_{CC} = V_{CCMin}$ .

Figure 23. Transient Equivalent Testing Load Circuit



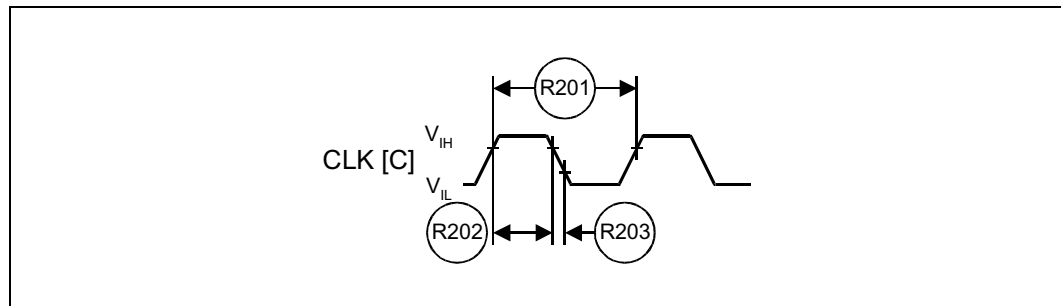
**NOTE:** See Table 17 for component values.

Table 14. Test Configuration Component Values for Worst Case Speed Conditions

Test Configuration	$C_L$ (pF)	$R_1$ (k $\Omega$ )	$R_2$ (k $\Omega$ )
$V_{CCQMin}$ Standard Test	30	25	25

**NOTE:**  $C_L$  includes jig capacitance.

Figure 24. Clock Input AC Waveform



## 8.8 Device Capacitance

$T_A = +25\text{ }^\circ\text{C}$ ,  $f = 1\text{ MHz}$

Symbol	Parameter <sup>§</sup>	Typ	Max	Unit	Condition
$C_{IN}$	Input Capacitance	6	8	pF	$V_{IN} = 0.0\text{ V}$
$C_{OUT}$	Output Capacitance	8	12	pF	$V_{OUT} = 0.0\text{ V}$
$C_{CE}$	CE# Input Capacitance	10	12	pF	$V_{IN} = 0.0\text{ V}$

<sup>§</sup>Sampled, not 100% tested.

## 9.0 Device Operations

This section provides an overview of device operations. The W30 family includes an on-chip WSM to manage block erase and program algorithms. Its CUI allows minimal processor overhead with RAM-like interface timings.

### 9.1 Bus Operations

**Table 15. Bus Operations**

Mode	Notes	RST#	CE#	OE#	WE#	ADV#	WAIT	D[15:0]
Read	4	$V_{IH}$	$V_{IL}$	$V_{IL}$	$V_{IH}$	$V_{IL}$	See Note	$D_{OUT}$
Output Disable	1	$V_{IH}$	$V_{IL}$	$V_{IH}$	$V_{IH}$	X	High-Z	High-Z
Standby	1	$V_{IH}$	$V_{IH}$	X	X	X	High-Z	High-Z
Reset	1,2	$V_{IL}$	X	X	X	X	High-Z	High-Z
Write	3	$V_{IH}$	$V_{IL}$	$V_{IH}$	$V_{IL}$	$V_{IL}$	High-Z	$D_{IN}$

**NOTES:**

1. X must be  $V_{IL}$  or  $V_{IH}$  for control pins and addresses.
2. RST# must be at  $V_{SS} \pm 0.2\text{ V}$  to meet the maximum specified power-down current.
3. Refer to the [Table 17, "Bus Cycle Definitions" on page 53](#) for valid  $D_{IN}$  during a write operation.
4. WAIT is only valid during synchronous array read operations.

#### 9.1.1 Read

The W30 has several read configurations:

- Asynchronous page mode read.
- Synchronous burst mode read — outputs four, eight, sixteen, or continuous words, from main blocks and parameter blocks.

Several read modes are available in each partition:

- **Read-array mode:** read accesses return flash array data from the addressed locations.



- **Read identifier mode:** reads return manufacturer and device identifier data, block lock status, and protection register data. Identifier information can be accessed starting at 4-Mbit partition base addresses; the flash array is not accessible in read identifier mode.
- **Read query mode:** reads return device CFI data. CFI information can be accessed starting at 4-Mbit partition base addresses; the flash array is not accessible in read query mode.
- **Read status register mode:** reads return status register data from the addressed partition. That partition's array data is not accessible. A system processor can check the status register to determine an addressed partition's state or monitor program and erase progress.

All partitions support the synchronous burst mode that internally sequences addresses with respect to the input CLK to select and supply data to the outputs.

Identifier codes, query data, and status register read operations execute as single-synchronous or asynchronous read cycles. WAIT is asserted during these reads.

Access to the modes listed above is independent of  $V_{PP}$ . An appropriate CUI command places the device in a read mode. At initial power-up or after reset, the device defaults to asynchronous read-array mode.

Asserting CE# enables device read operations. The device internally decodes upper address inputs to determine which partition is accessed. Asserting ADV# opens the internal address latches. Asserting OE# activates the outputs and gates selected data onto the I/O bus. In asynchronous mode, the address is latched when ADV# is deasserted (when the device is configured to use ADV#). In synchronous mode, the address is latched by either the rising edge of ADV# or the rising (or falling) CLK edge while ADV# remains asserted, whichever occurs first. WE# and RST# must be at deasserted during read operations.

**Note:** If only asynchronous reads are to be performed in your system, CLK should be tied to a valid  $V_{IH}$  level, WAIT signal can be floated and ADV# must be tied to ground.

### 9.1.2 Burst Suspend

The Burst Suspend feature allows the system to temporarily suspend a synchronous burst operation if the system needs to use the flash address and data bus for other purposes. Burst accesses can be suspended during the initial latency (before data is received) or after the device has output data. When a burst access is suspended, internal array sensing continues and any previously latched internal data is retained.

Burst Suspend occurs when CE# is asserted, the current address has been latched (either ADV# rising edge or valid CLK edge), CLK is halted, and OE# is deasserted. CLK can be halted when it is at  $V_{IH}$  or  $V_{IL}$ . To resume the burst access, OE# is reasserted and CLK is restarted. Subsequent CLK edges resume the burst sequence where it left off.

Within the device, CE# gates WAIT. Therefore, during Burst Suspend WAIT remains asserted and does not revert to a high-impedance state when OE# is deasserted. This can cause contention with another device attempting to control the system's READY signal during a Burst Suspend. System using the Burst Suspend feature should not connect the device's WAIT signal directly to the system's READY signal.

Refer to [Figure 15, "Burst Suspend"](#) on page 38.

### 9.1.3 Standby

De-asserting CE# deselects the device and places it in standby mode, substantially reducing device power consumption. In standby mode, outputs are placed in a high-impedance state independent of OE#. If deselected during a program or erase algorithm, the device shall consume active power until the program or erase operation completes.

### 9.1.4 Reset

The device enters a reset mode when RST# is asserted. In reset mode, internal circuitry is turned off and outputs are placed in a high-impedance state.

After returning from reset, a time  $t_{PHQV}$  is required until outputs are valid, and a delay ( $t_{PHWV}$ ) is required before a write sequence can be initiated. After this wake-up interval, normal operation is restored. The device defaults to read-array mode, the status register is set to 80h, and the Read Configuration Register defaults to asynchronous page-mode reads.

If RST# is asserted during an erase or program operation, the operation aborts and the memory contents at the aborted block or address are invalid. See [Figure 21, “Reset Operations Waveforms” on page 46](#) for detailed information regarding reset timings.

Like any automated device, it is important to assert RST# during system reset. When the system comes out of reset, the processor expects to read from the flash memory array. Automated flash memories provide status information when read during program or erase operations. If a CPU reset occurs with no flash memory reset, proper CPU initialization may not occur because the flash memory may be providing status information instead of array data. 1.8 Volt Intel Flash memories allow proper CPU initialization following a system reset through the use of the RST# input. In this application, RST# is controlled by the same CPU reset signal, RESET#.

### 9.1.5 Write

A write occurs when CE# and WE# are asserted and OE# is deasserted. Flash control commands are written to the CUI using standard microprocessor write timings. Proper use of the ADV# input is needed for proper latching of the addresses. Refer to [Section 7.3, “AC Write Characteristics” on page 39](#) for details. The address and data are latched on the rising edge of WE#. Write operations are asynchronous; CLK is ignored (but still may be kept active/toggling).

The CUI does not occupy an addressable memory location within any partition. The system processor must access it at the correct address range depending on the kind of command executed. Programming or erasing may occur in only one partition at a time. Other partitions must be in one of the read modes or erase suspend mode.

[Table 16, “Command Codes and Descriptions” on page 51](#) shows the available commands. [Appendix A, “Write State Machine” on page 84](#) provides information on moving between different operating modes using CUI commands.

## 9.2 Device Commands

The device’s on-chip WSM manages erase and program algorithms. This local CPU (WSM) controls the device’s in-system read, program, and erase operations. Bus cycles to or from the flash memory conform to standard microprocessor bus cycles. RST#, CE#, OE#, WE#, and ADV# control signals dictate data flow into and out of the device. WAIT informs the CPU of valid data during burst reads. Table 15, “Bus Operations” on page 48 summarizes bus operations.

Device operations are selected by writing specific commands into the device’s CUI. Table 16, “Command Codes and Descriptions” on page 51 lists all possible command codes and descriptions. Table 17, “Bus Cycle Definitions” on page 53 lists command definitions. Because commands are partition-specific, it is important to issue write commands within the target address range.

**Table 16. Command Codes and Descriptions (Sheet 1 of 2)**

Operation	Code	Device Command	Description
Read	FFh	Read Array	Places selected partition in read-array mode.
	70h	Read Status Register	Places selected partition in status register read mode. The partition enters this mode after a Program or Erase command is issued to it.
	90h	Read Identifier	Puts the selected partition in read identifier mode. Device reads from partition addresses output manufacturer/device codes, configuration register data, block lock status, or protection register data on D[15:0].
	98h	Read Query	Puts the addressed partition in read query mode. Device reads from the partition addresses output CFI information on D[7:0].
	50h	Clear Status Register	The WSM can set the status register’s block lock (SR[1]), V <sub>PP</sub> (SR[3]), program (SR[4]), and erase (SR[5]) status bits, but it cannot clear them. SR[5:3,1] can only be cleared by a device reset or through the Clear Status Register command.
Program	40h	Word Program Setup	This preferred program command’s first cycle prepares the CUI for a program operation. The second cycle latches address and data, and executes the WSM program algorithm at this location. Status register updates occur when CE# or OE# is toggled. A Read Array command is required to read array data after programming.
	10h	Alternate Setup	Equivalent to a Program Setup command (40h).
	30h	EFP Setup	This program command activates EFP mode. The first write cycle sets up the command. If the second cycle is an EFP Confirm command (D0h), subsequent writes provide program data. All other commands are ignored after EFP mode begins.
	D0h	EFP Confirm	If the first command was EFP Setup (30h), the CUI latches the address and data, and prepares the device for EFP mode.
Erase	20h	Erase Setup	This command prepares the CUI for Block Erase. The device erases the block addressed by the Erase Confirm command. If the next command is not Erase Confirm, the CUI sets status register bits SR[5:4] to indicate command sequence error and places the partition in the read status register mode.
	D0h	Erase Confirm	If the first command was Erase Setup (20h), the CUI latches address and data, and erases the block indicated by the erase confirm cycle address. During program or erase, the partition responds only to Read Status Register, Program Suspend, and Erase Suspend commands. CE# or OE# toggle updates status register data.

Table 16. Command Codes and Descriptions (Sheet 2 of 2)

Operation	Code	Device Command	Description
Suspend	B0h	Program Suspend or Erase Suspend	This command, issued at any device address, suspends the currently executing program or erase operation. Status register data indicates the operation was successfully suspended if SR[2] (program suspend) or SR[6] (erase suspend) and SR[7] are set. The WSM remains in the suspended state regardless of control signal states (except RST#).
	D0h	Suspend Resume	This command, issued at any device address, resumes the suspended program or erase operation.
Block Locking	60h	Lock Setup	This command prepares the CUI lock configuration. If the next command is not Lock Block, Unlock Block, or Lock-Down, the CUI sets SR[5:4] to indicate command sequence error.
	01h	Lock Block	If the previous command was Lock Setup (60h), the CUI locks the addressed block.
	D0h	Unlock Block	If the previous command was Lock Setup (60h), the CUI latches the address and unlocks the addressed block. If previously locked-down, the operation has no effect.
	2Fh	Lock-Down	If the previous command was Lock Setup (60h), the CUI latches the address and locks-down the addressed block.
Protection	C0h	Protection Program Setup	This command prepares the CUI for a protection register program operation. The second cycle latches address and data, and starts the WSM's protection register program or lock algorithm. Toggling CE# or OE# updates the flash status register data. To read array data after programming, issue a Read Array command.
Configuration	60h	Configuration Setup	This command prepares the CUI for device configuration. If Set Configuration Register is not the next command, the CUI sets SR[5:4] to indicate command sequence error.
	03h	Set Configuration Register	If the previous command was Configuration Setup (60h), the CUI latches the address and writes the data from A[15:0] into the configuration register. Subsequent read operations access array data.

**NOTE:** Do not use unassigned commands. Intel reserves the right to redefine these codes for future functions.

**Table 17. Bus Cycle Definitions**

Operation	Command	Bus Cycles	First Bus Cycle			Second Bus Cycle		
			Oper	Addr <sup>1</sup>	Data <sup>2,3</sup>	Oper	Addr <sup>1</sup>	Data <sup>2,3</sup>
Read	Read Array/Reset	≥1	Write	PnA	FFh	Read	Read Address	Array Data
	Read Identifier	≥ 2	Write	PnA	90h	Read	PBA+IA	IC
	Read Query	≥ 2	Write	PnA	98h	Read	PBA+QA	QD
	Read Status Register	2	Write	PnA	70h	Read	PnA	SRD
	Clear Status Register	1	Write	XX	50h			
Program and Erase	Block Erase	2	Write	BA	20h	Write	BA	D0h
	Word Program	2	Write	WA	40h/10h	Write	WA	WD
	EFP	≥2	Write	WA	30h	Write	WA	D0h
	Program/Erase Suspend	1	Write	XX	B0h			
	Program/Erase Resume	1	Write	XX	D0h			
Lock	Lock Block	2	Write	BA	60h	Write	BA	01h
	Unlock Block	2	Write	BA	60h	Write	BA	D0h
	Lock-Down Block	2	Write	BA	60h	Write	BA	2Fh
Protection	Protection Program	2	Write	PA	C0h	Write	PA	PD
	Lock Protection Program	2	Write	LPA	C0h	Write	LPA	FFFDh
Configuration	Set Configuration Register	2	Write	CD	60h	Write	CD	03h

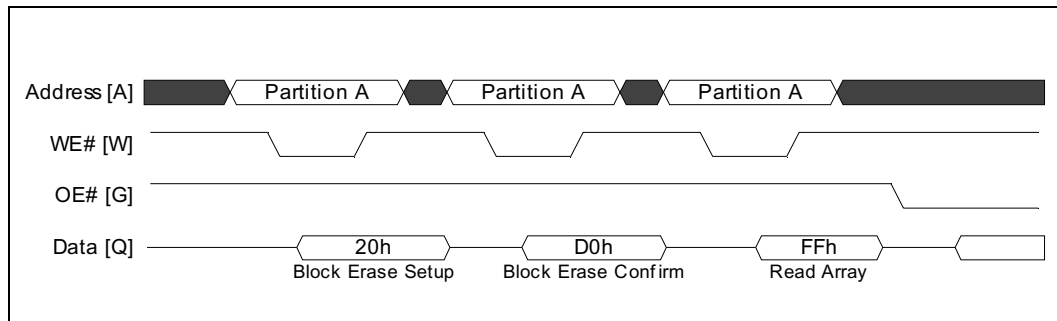
**NOTES:**

1. First-cycle command addresses should be the same as the operation's target address. Examples: the first-cycle address for the Read Identifier command should be the same as the Identification code address (IA); the first-cycle address for the Word Program command should be the same as the word address (WA) to be programmed; the first-cycle address for the Erase/Program Suspend command should be the same as the address within the block to be suspended; etc.  
 XX = Any valid address within the device.  
 IA = Identification code address.  
 BA = Block Address. Any address within a specific block.  
 LPA = Lock Protection Address is obtained from the CFI (through the Read Query command). The W30 family's LPA is at 0080h.  
 PA = User programmable 4-word protection address.  
 PnA = Any address within a specific partition.  
 PBA = Partition Base Address. The very first address of a particular partition.  
 QA = Query code address.  
 WA = Word address of memory location to be written.
2. SRD = Status register data.  
 WD = Data to be written at location WA.  
 IC = Identifier code data.  
 PD = User programmable 4-word protection data.  
 QD = Query code data on D[7:0].  
 CD = Configuration register code data presented on device addresses A[15:0]. A[MAX:16] address bits can select any partition. See Table 25, "Read Configuration Register Definitions" on page 77 for configuration register bits descriptions.
3. Commands other than those shown above are reserved by Intel for future device implementations and should not be used.

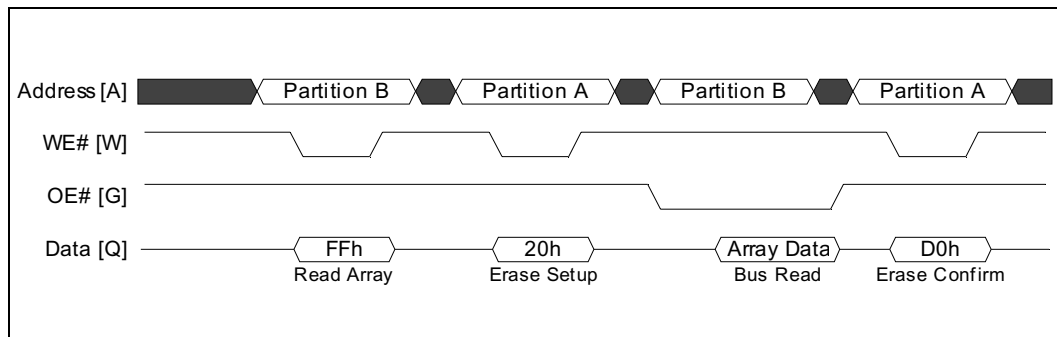
### 9.3 Command Sequencing

When issuing a 2-cycle write sequence to the flash device, a read operation is allowed to occur *between* the two write cycles. The setup phase of a 2-cycle write sequence places the addressed partition into read-status mode, so if the same partition is read before the second “confirm” write cycle is issued, status register data will be returned. Reads from other partitions, however, can return actual array data assuming the addressed partition is already in read-array mode. [Figure 25](#) on page 54 and [Figure 26](#) on page 54 illustrate these two conditions.

**Figure 25. Normal Write and Read Cycles**

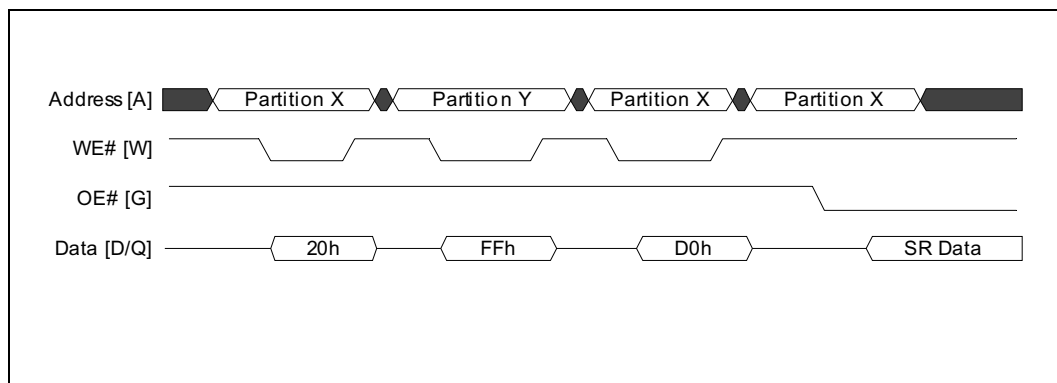


**Figure 26. Interleaving a 2-Cycle Write Sequence with an Array Read**



By contrast, a write bus cycle may not interrupt a 2-cycle write sequence. Doing so causes a command sequence error to appear in the status register. [Figure 27](#) illustrates a command sequence error.

**Figure 27. Improper Command Sequencing**



## 10.0 Read Operations

### 10.1 Read Array

The Read Array command places (or resets) the partition in read-array mode and is used to read data from the flash memory array. Upon initial device power-up, or after reset (RST# transitions from  $V_{IL}$  to  $V_{IH}$ ), all partitions default to asynchronous read-array mode. To read array data from the flash device, first write the Read Array command (FFh) to the CUI and specify the desired word address. Then read from that address. If a partition is already in read-array mode, issuing the Read Array command is not required to read from that partition.

If the Read Array command is written to a partition that is erasing or programming, the device presents invalid data on the bus until the program or erase operation completes. After the program or erase finishes in that partition, valid array data can then be read. If an Erase Suspend or Program Suspend command suspends the WSM, a subsequent Read Array command places the addressed partition in read-array mode. The Read Array command functions independently of  $V_{PP}$ .

### 10.2 Read Device ID

The read identifier mode outputs the manufacturer/device identifier, block lock status, protection register codes, and configuration register data. The identifier information is contained within a separate memory space on the device and can be accessed along the 4-Mbit partition address range supplied by the Read Identifier command (90h) address. Reads from addresses in [Table 18](#) retrieve ID information. Issuing a Read Identifier command to a partition that is programming or erasing places that partition's outputs in read ID mode while the partition continues to program or erase in the background.

**Table 18. Device Identification Codes (Sheet 1 of 2)**

Item	Address <sup>1</sup>		Data	Description
	Base	Offset		
Manufacturer ID	Partition	00h	0089h	Intel
Device ID	Partition	01h	8852h	32-Mbit TPD
			8853h	32-Mbit BPD
			8854h	64-Mbit TPD
			8855h	64-Mbit BPD
			8856h	128-Mbit TPD
			8857h	128-Mbit BPD
Block Lock Status <sup>(2)</sup>	Block	02h	D0 = 0	Block is unlocked
			D0 = 1	Block is locked
Block Lock-Down Status <sup>(2)</sup>	Block	02h	D1 = 0	Block is not locked-down
			D1 = 1	Block is locked down
Configuration Register	Partition	05h	Register Data	

Table 18. Device Identification Codes (Sheet 2 of 2)

Item	Address <sup>1</sup>		Data	Description
	Base	Offset		
Protection Register Lock Status	Partition	80h	Lock Data	
Protection Register	Partition	81h - 88h	Register Data	Multiple reads required to read the entire 128-bit Protection Register.

**NOTES:**

1. The address is constructed from a base address plus an offset. For example, to read the Block Lock Status for block number 38 in a BPD, set the address to the BBA (0F8000h) plus the *offset* (02h), i.e. 0F8002h. Then examine bit 0 of the data to determine if the block is locked.
2. See [Section 13.1.4, “Block Lock Status” on page 71](#) for valid lock status.

### 10.3 Read Query (CFI)

This device contains a separate CFI query *database* that acts as an “on-chip datasheet.” The CFI information within this device can be accessed by issuing the Read Query command and supplying a specific address. The address is constructed from the base address of a partition plus a particular offset corresponding to the desired CFI field. [Appendix B, “Common Flash Interface” on page 87](#) shows accessible CFI fields and their address offsets. Issuing the Read Query command to a partition that is programming or erasing puts that partition in read query mode while the partition continues to program or erase in the background.

### 10.4 Read Status Register

The device’s status register displays program and erase operation status. A partition’s status can be read after writing the Read Status Register command to any location within the partition’s address range. Read-status mode is the default read mode following a Program, Erase, or Lock Block command sequence. Subsequent single reads from that partition will return its status until another valid command is written.

The read-status mode supports single synchronous and single asynchronous reads only; it doesn’t support burst reads. The first falling edge of OE# or CE# latches and updates Status Register data. The operation doesn’t affect other partitions’ modes. Because the Status Register is 8 bits wide, only DQ [7:0] contains valid status register data; DQ [15:8] contains zeros. See [Table 19, “Status Register Definitions” on page 57](#) and [Table 20, “Status Register Descriptions” on page 57](#).

Each 4-Mbit partition contains its own status register. Bits SR[6:0] are unique to each partition, but SR[7], the Device WSM Status (DWS) bit, pertains to the entire device. SR[7] provides program and erase status of the entire device. By contrast, the Partition WSM Status (PWS) bit, SR[0], provides program and erase status of the *addressed partition* only. Status register bits SR[6:1] present information about partition-specific program, erase, suspend,  $V_{PP}$ , and block-lock states. [Table 21, “Status Register Device WSM and Partition Write Status Description” on page 57](#) presents descriptions of DWS (SR[7]) and PWS (SR[0]) combinations.



**Table 19. Status Register Definitions**

DWS	ESS	ES	PS	VPPS	PSS	DPS	PWS
7	6	5	4	3	2	1	0

**Table 20. Status Register Descriptions**

Bit	Name	State	Description
7	<b>DWS</b> Device WSM Status	0 = Device WSM is Busy 1 = Device WSM is Ready	SR[7] indicates erase or program completion in the device. SR[6:1] are invalid while SR[7] = 0. See <a href="#">Table 21</a> for valid SR[7] and SR[0] combinations.
6	<b>ESS</b> Erase Suspend Status	0 = Erase in progress/completed 1 = Erase suspended	After issuing an Erase Suspend command, the WSM halts and sets SR[7] and SR[6]. SR[6] remains set until the device receives an Erase Resume command.
5	<b>ES</b> Erase Status	0 = Erase successful 1 = Erase error	SR[5] is set if an attempted erase failed. A Command Sequence Error is indicated when SR[7,5:4] are set.
4	<b>PS</b> Program Status	0 = Program successful 1 = Program error	SR[4] is set if the WSM failed to program a word.
3	<b>VPPS</b> VPP Status	0 = V <sub>PP</sub> OK 1 = V <sub>PP</sub> low detect, operation aborted	The WSM indicates the V <sub>PP</sub> level after program or erase completes. SR[3] does not provide continuous V <sub>PP</sub> feedback and isn't guaranteed when V <sub>PP</sub> ≠ V <sub>PP1/2</sub> .
2	<b>PSS</b> Program Suspend Status	0 = Program in progress/completed 1 = Program suspended	After receiving a Program Suspend command, the WSM halts execution and sets SR[7] and SR[2]. They remain set until a Resume command is received.
1	<b>DPS</b> Device Protect Status	0 = Unlocked 1 = Aborted erase/program attempt on locked block	If an erase or program operation is attempted to a locked block (if WP# = V <sub>IL</sub> ), the WSM sets SR[1] and aborts the operation.
0	<b>PWS</b> Partition Write Status	0 = This partition is busy, but only if SR[7]=0 1 = Another partition is busy, but only if SR[7]=0	Addressed partition is erasing or programming. In EFP mode, SR[0] indicates that a data-stream word has finished programming or verifying depending on the particular EFP phase. See <a href="#">Table 21</a> for valid SR[7] and SR[0] combinations.

**Table 21. Status Register Device WSM and Partition Write Status Description**

DWS (SR[7])	PWS (SR[0])	Description
0	0	The addressed partition is performing a program/erase operation. EFP: device has finished programming or verifying data, or is ready for data.
0	1	A partition other than the one currently addressed is performing a program/erase operation. EFP: the device is either programming or verifying data.
1	0	No program/erase operation is in progress in any partition. Erase and Program suspend bits (SR[6,2]) indicate whether other partitions are suspended. EFP: the device has exited EFP mode.
1	1	Won't occur in standard program or erase modes. EFP: this combination does not occur.

## 10.5 Clear Status Register

The Clear Status Register command clears the status register and leaves all partition output states unchanged. The WSM can set all status register bits and clear bits SR[7:6,2,0]. Because bits SR[5,4,3,1] indicate various error conditions, they can only be cleared by the Clear Status Register command. By allowing system software to reset these bits, several operations (such as cumulatively programming several addresses or erasing multiple blocks in sequence) can be performed before reading the status register to determine error occurrence. If an error is detected, the Status Register must be cleared before beginning another command or sequence. Device reset (RST# = V<sub>IL</sub>) also clears the status register. This command functions independently of V<sub>PP</sub>.

## 11.0 Program Operations

---

### 11.1 Word Program

When the Word Program command is issued, the WSM executes a sequence of internally timed events to program a word at the desired address and verify that the bits are sufficiently programmed. Programming the flash array changes specifically addressed bits to 0; 1 bits do not change the memory cell contents.

Programming can occur in only one partition at a time. All other partitions must be in either a read mode or erase suspend mode. Only one partition can be in erase suspend mode at a time.

The status register can be examined for program progress by reading any address within the partition that is busy programming. However, while most status register bits are partition-specific, the Device WSM Status bit, SR[7], is *device*-specific; that is, if the status register is read from any other partition, SR[7] indicates program status of the entire device. This permits the system CPU to monitor program progress while reading the status of other partitions.

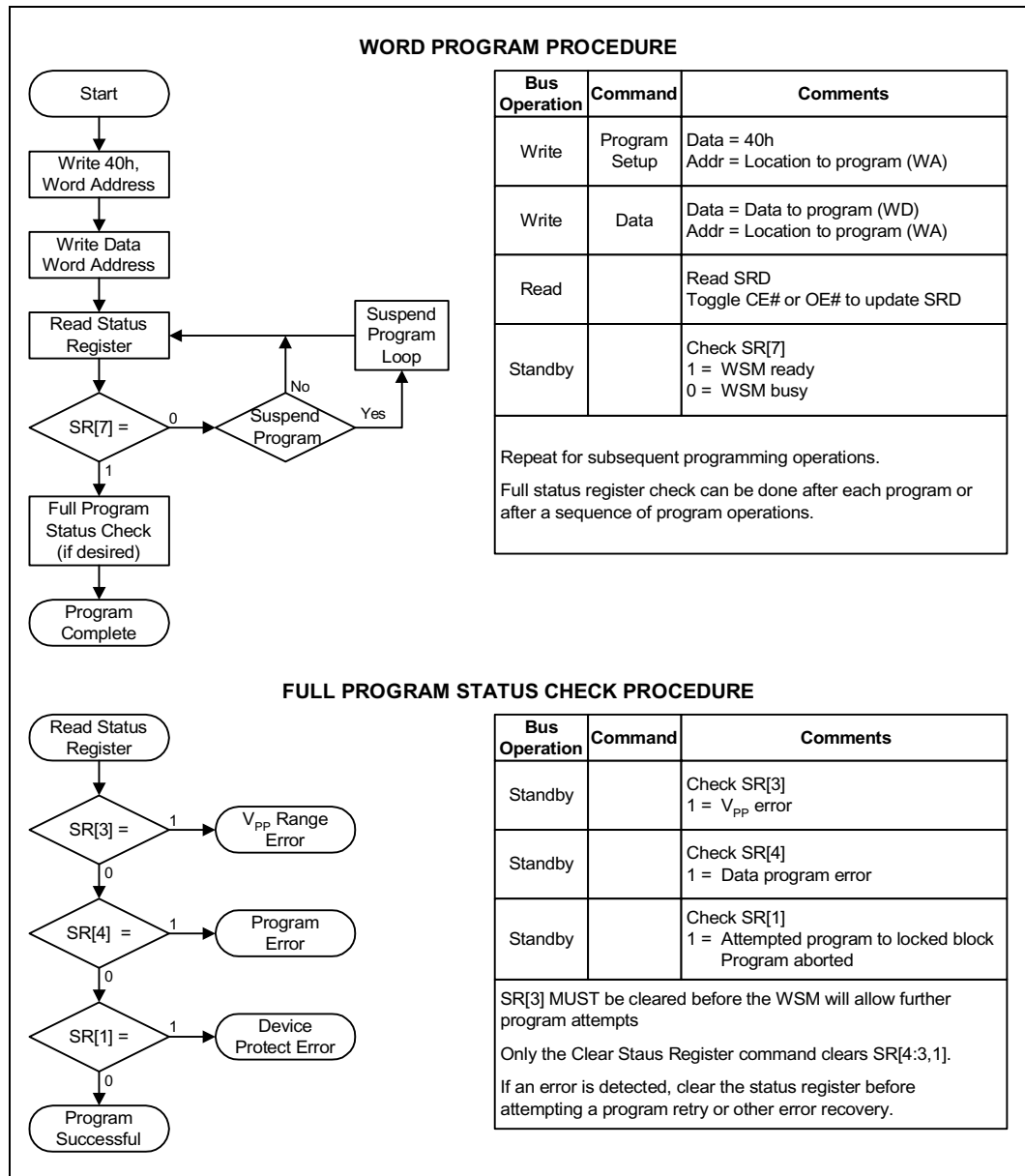
CE# or OE# toggle (during polling) updates the status register. Several commands can be issued to a partition that is programming: Read Status Register, Program Suspend, Read Identifier, and Read Query. The Read Array command can also be issued, but the read data is indeterminate.

After programming completes, three status register bits can signify various possible error conditions. SR[4] indicates a program failure if set. If SR[3] is set, the WSM couldn't execute the Word Program command because V<sub>PP</sub> was outside acceptable limits. If SR[1] is set, the program was aborted because the WSM attempted to program a locked block.

After the status register data is examined, clear it with the Clear Status Register command before a new command is issued. The partition remains in status register mode until another command is written to that partition. Any command can be issued after the status register indicates program completion.

If CE# is deasserted while the device is programming, the devices will not enter standby mode until the program operation completes.

Figure 28. Word Program Flowchart



## 11.2 Factory Programming

The standard factory programming mode uses the same commands and algorithm as the Word Program mode (40h/10h). When V<sub>pp</sub> is at V<sub>pp1</sub>, program and erase currents are drawn through VCC. If VPP is driven by a logic signal, V<sub>pp1</sub> must remain above the V<sub>pp1</sub>Min value to perform in-system flash modifications. When VPP is connected to a 12 V power supply, the device draws program and erase current directly from VPP. This eliminates the need for an external switching transistor to control the V<sub>pp</sub> voltage. [Figure 37, “Examples of VPP Power Supply Configurations” on page 75](#) shows examples of flash power supply usage in various configurations.

The 12-V  $V_{PP}$  mode enhances programming performance during the short time period typically found in manufacturing processes; however, it is not intended for extended use. 12 V may be applied to  $V_{PP}$  during program and erase operations as specified in [Section 5.2, “Operating Conditions” on page 23](#).  $V_{PP}$  may be connected to 12 V for a total of  $t_{PPH}$  hours maximum. Stressing the device beyond these limits may cause permanent damage.

## 11.3 Enhanced Factory Program (EFP)

EFP substantially improves device programming performance through a number of enhancements to the conventional 12 Volt word program algorithm. EFP's more efficient WSM algorithm eliminates the traditional overhead delays of the conventional word program mode in both the host programming system and the flash device. Changes to the conventional word programming flowchart and internal WSM routine were developed because of today's beat-rate-sensitive manufacturing environments; a balance between programming speed and cycling performance was attained.

The host programmer writes data to the device and checks the Status Register to determine when the data has completed programming. This modification essentially cuts write bus cycles in half. Following each internal program pulse, the WSM increments the device's address to the next physical location. Now, programming equipment can sequentially stream program data throughout an entire block without having to setup and present each new address. In combination, these enhancements reduce much of the host programmer overhead, enabling more of a data streaming approach to device programming.

EFP further speeds up programming by performing internal code verification. With this, PROM programmers can rely on the device to verify that it has been programmed properly. From the device side, EFP streamlines internal overhead by eliminating the delays previously associated to switch voltages between programming and verify levels at each memory-word location.

EFP consists of four phases: setup, program, verify and exit. Refer to [Figure 29, “Enhanced Factory Program Flowchart” on page 63](#) for a detailed graphical representation of how to implement EFP.

### 11.3.1 EFP Requirements and Considerations

**Table 22. EFP Requirements and Considerations**

EFP Requirements	EFP Considerations
Ambient temperature: $T_A = 25\text{ °C} \pm 5\text{ °C}$	Block cycling below 100 erase cycles <sup>1</sup>
$V_{CC}$ within specified operating range	RWW not supported <sup>2</sup>
$V_{PP}$ within specified $V_{PP2}$ range	EFP programs one block at a time
Target block unlocked	EFP cannot be suspended

1. Recommended for optimum performance. Some degradation in performance may occur if this limit is exceeded, but the internal algorithm will continue to work properly.
2. Code or data cannot be read from another partition during EFP.

### 11.3.2 Setup

After receiving the EFP Setup (30h) and EFP Confirm (D0h) command sequence, SR[7] transitions from a 1 to a 0 indicating that the WSM is busy with EFP algorithm startup. A delay before checking SR[7] is required to allow the WSM time to perform all of its setups and checks ( $V_{PP}$  level and block lock status). If an error is detected, status register bits SR[4], SR[3], and/or SR[1] are set and EFP operation terminates.

**Note:** After the EFP Setup and Confirm command sequence, reads from the device automatically output status register data. Do not issue the Read Status Register command; it will be interpreted as data to program at  $WA_0$ .

### 11.3.3 Program

After setup completion, the host programming system must check SR[0] to determine "data-stream ready" status (SR[0]=0). Each subsequent write after this is a program-data write to the flash array. Each cell within the memory word to be programmed to 0 receives one WSM pulse; additional pulses, if required, occur in the verify phase. SR[0]=1 indicates that the WSM is busy applying the program pulse.

The host programmer must poll the device's status register for the "program done" state after each data-stream write. SR[0]=0 indicates that the appropriate cell(s) within the accessed memory location have received their single WSM program pulse, and that the device is now ready for the next word. Although the host may check full status for errors at any time, it is only necessary on a block basis, after EFP exit.

Addresses must remain within the target block. Supplying an address outside the target block immediately terminates the program phase; the WSM then enters the EFP verify phase.

The address can either hold constant or it can increment. The device compares the incoming address to that stored from the setup phase ( $WA_0$ ); if they match, the WSM programs the new data word at the next sequential memory location. If they differ, the WSM jumps to the new address location.

The program phase concludes when the host programming system writes to a different block address, and data supplied must be FFFFh. Upon program phase completion, the device enters the EFP verify phase.

### 11.3.4 Verify

A high percentage of the flash bits program on the first WSM pulse. However, for those cells that do not completely program on their first attempt, EFP internal verification identifies them and applies additional pulses as required.

The verify phase is identical in flow to the program phase, except that instead of programming incoming data, the WSM compares the verify-stream data to that which was previously programmed into the block. If the data compares correctly, the host programmer proceeds to the next word. If not, the host waits while the WSM applies an additional pulse(s).

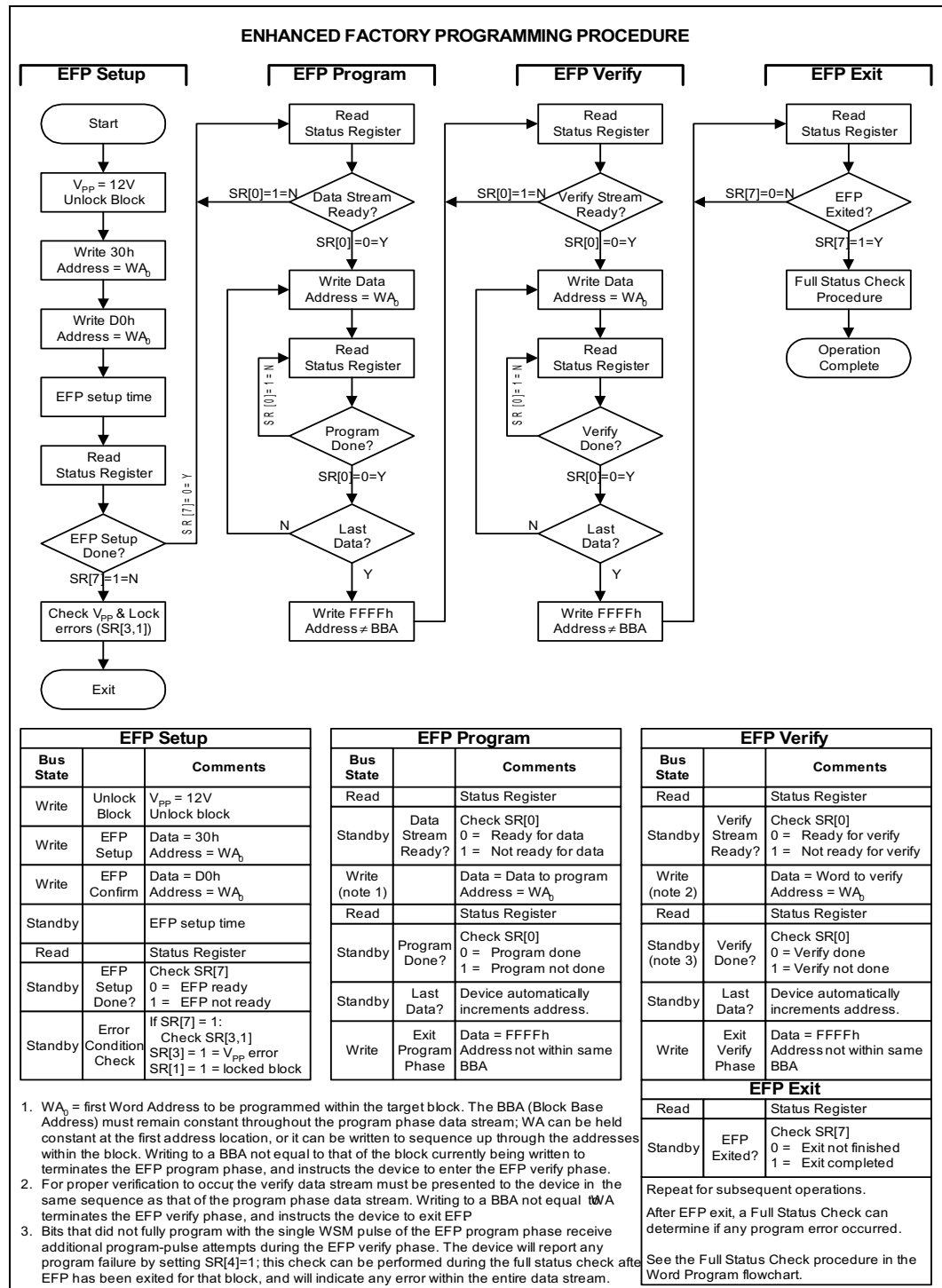
The host programmer must reset its initial verify-word address to the same starting location supplied during the program phase. It then reissues each data word in the same order as during the program phase. Like programming, the host may write each subsequent data word to  $WA_0$  or it may increment up through the block addresses.

The verification phase concludes when the interfacing programmer writes to a different block address; data supplied must be FFFFh. Upon completion of the verify phase, the device enters the EFP exit phase.

### 11.3.5 Exit

SR[7]=1 indicates that the device has returned to normal operating conditions. A full status check should be performed at this time to ensure the entire block programmed successfully. After EFP exit, any valid CUI command can be issued.

Figure 29. Enhanced Factory Program Flowchart



## 12.0 Program and Erase Operations

---

### 12.1 Program/Erase Suspend and Resume

The Program Suspend and Erase Suspend commands halt an in-progress program or erase operation. The command can be issued at any device address. The partition corresponding to the command's address remains in its previous state. A suspend command allows data to be accessed from memory locations other than the one being programmed or the block being erased.

A program operation can be suspended only to perform a read operation. An erase operation can be suspended to perform either a program or a read operation within any block, except the block that is erase suspended. A program command nested within a suspended erase can subsequently be suspended to read yet another location. Once a program or erase process starts, the Suspend command requests that the WSM suspend the program or erase sequence at predetermined points in the algorithm. The partition that is actually suspended continues to output status register data after the Suspend command is written. An operation is suspended when status bits SR[7] and SR[6] and/or SR[2] are set.

To read data from blocks within the partition (other than an erase-suspended block), you can write a Read Array command. Block erase cannot resume until the program operations initiated during erase suspend are complete. Read Array, Read Status Register, Read Identifier (ID), Read Query, and Program Resume are valid commands during Program or Erase Suspend. Additionally, Clear Status Register, Program, Program Suspend, Erase Resume, Lock Block, Unlock Block, and Lock-Down Block are valid commands during erase suspend.

To read data from a block in a partition that is not programming or erasing, the operation does not need to be suspended. If the other partition is already in read array, ID, or Query mode, issuing a valid address returns corresponding data. If the other partition is not in a read mode, one of the read commands must be issued to the partition before data can be read.

During a suspend,  $CE\# = V_{IH}$  places the device in standby state, which reduces active current.  $V_{PP}$  must remain at its program level and  $WP\#$  must remain unchanged while in suspend mode.

A resume command instructs the WSM to continue programming or erasing and clears status register bits SR[2] (or SR[6]) and SR[7]. The Resume command can be written to any partition. When read at the partition that is programming or erasing, the device outputs data corresponding to the partition's last mode. If status register error bits are set, the status register can be cleared before issuing the next instruction.  $RST\#$  must remain at  $V_{IH}$ . See [Figure 30, "Program Suspend / Resume Flowchart" on page 65](#), and [Figure 31, "Erase Suspend / Resume Flowchart" on page 66](#).

If a suspended partition was placed in Read Array, Read Status Register, Read Identifier (ID), or Read Query during the suspend, the device remains in that mode and outputs data corresponding to that mode after the program or erase operation is resumed. After resuming a suspended operation, issue the read command appropriate to the read operation. To read status after resuming a suspended operation, issue a Read Status Register command (70h) to return the suspended partition to status mode.



Figure 30. Program Suspend / Resume Flowchart

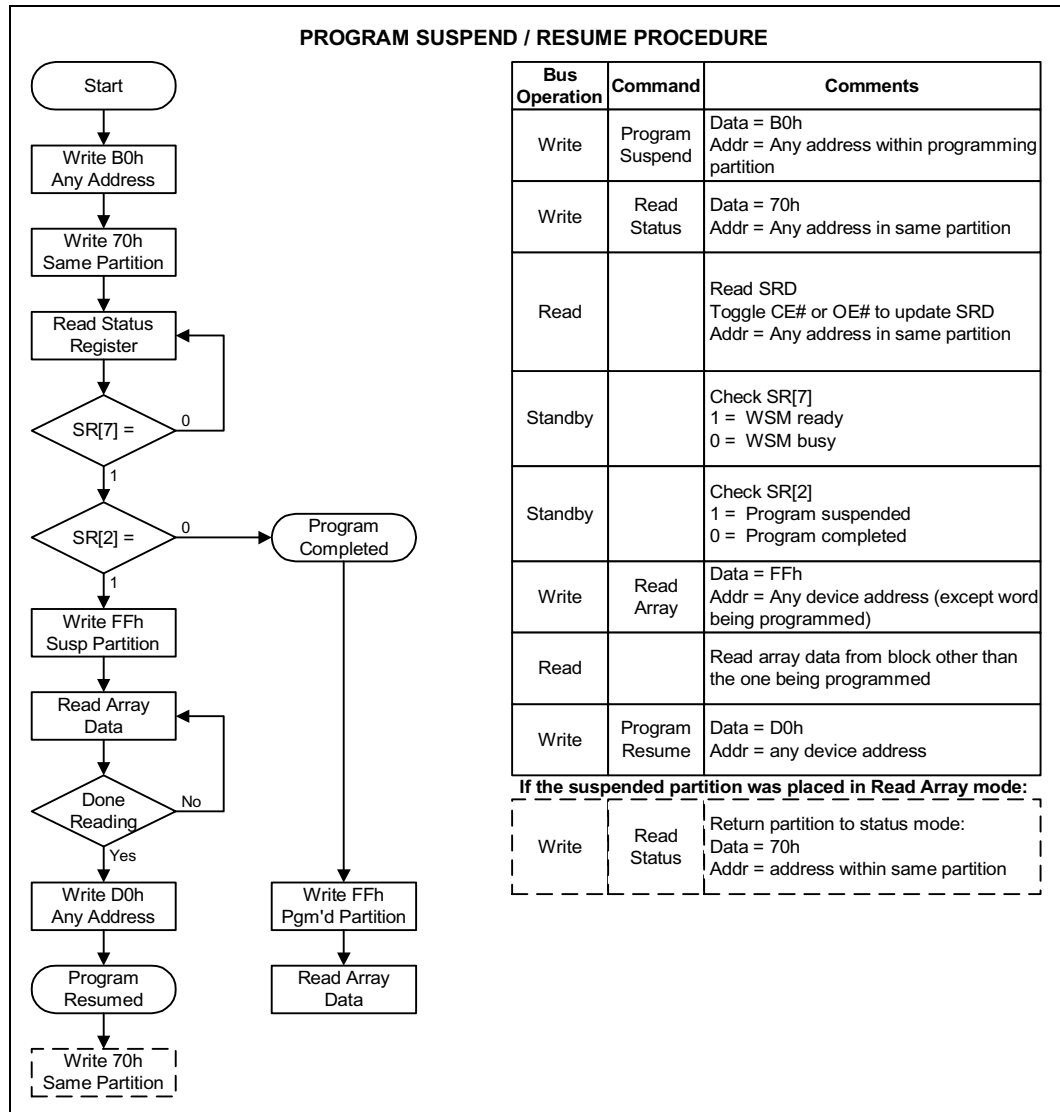
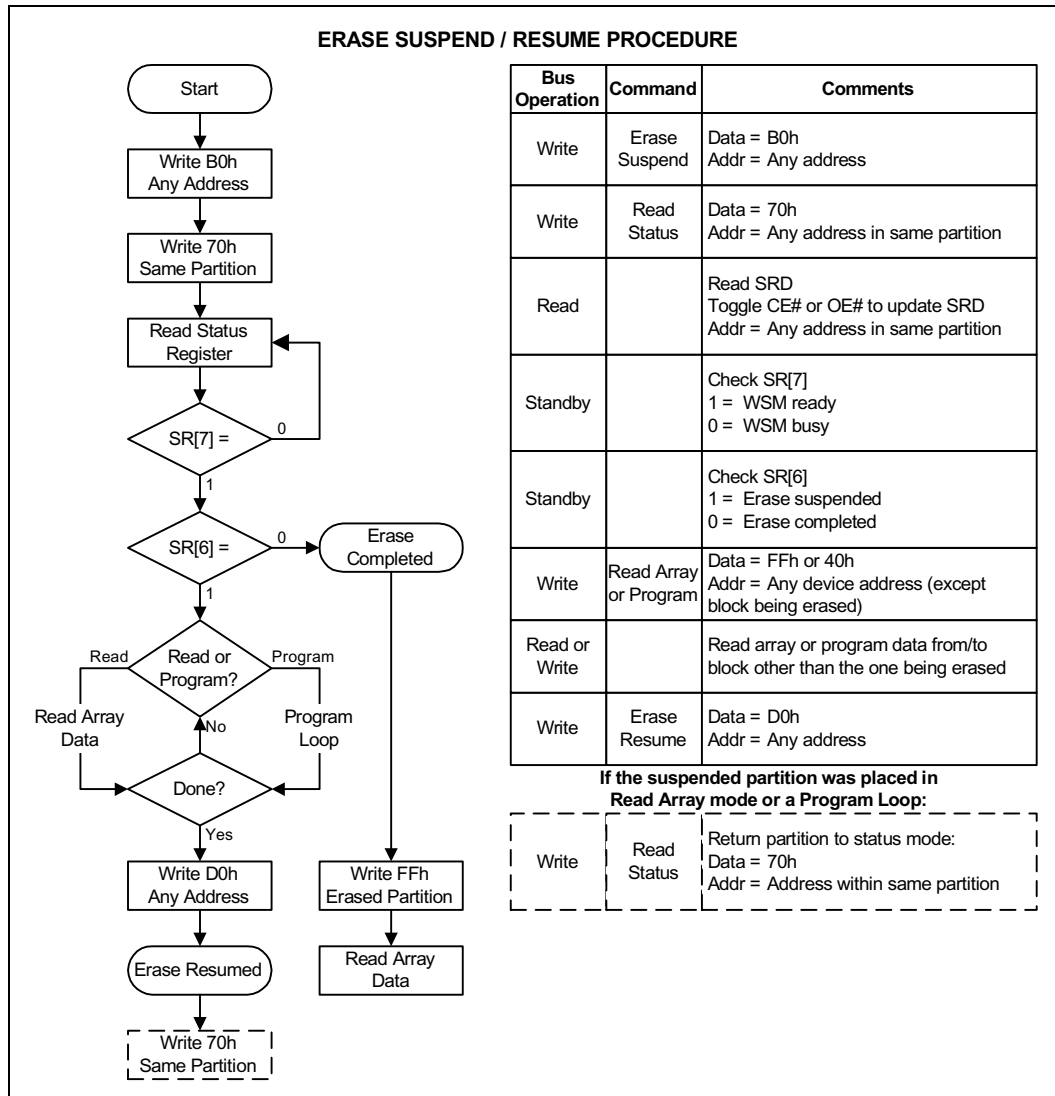


Figure 31. Erase Suspend / Resume Flowchart



## 12.2 Block Erase

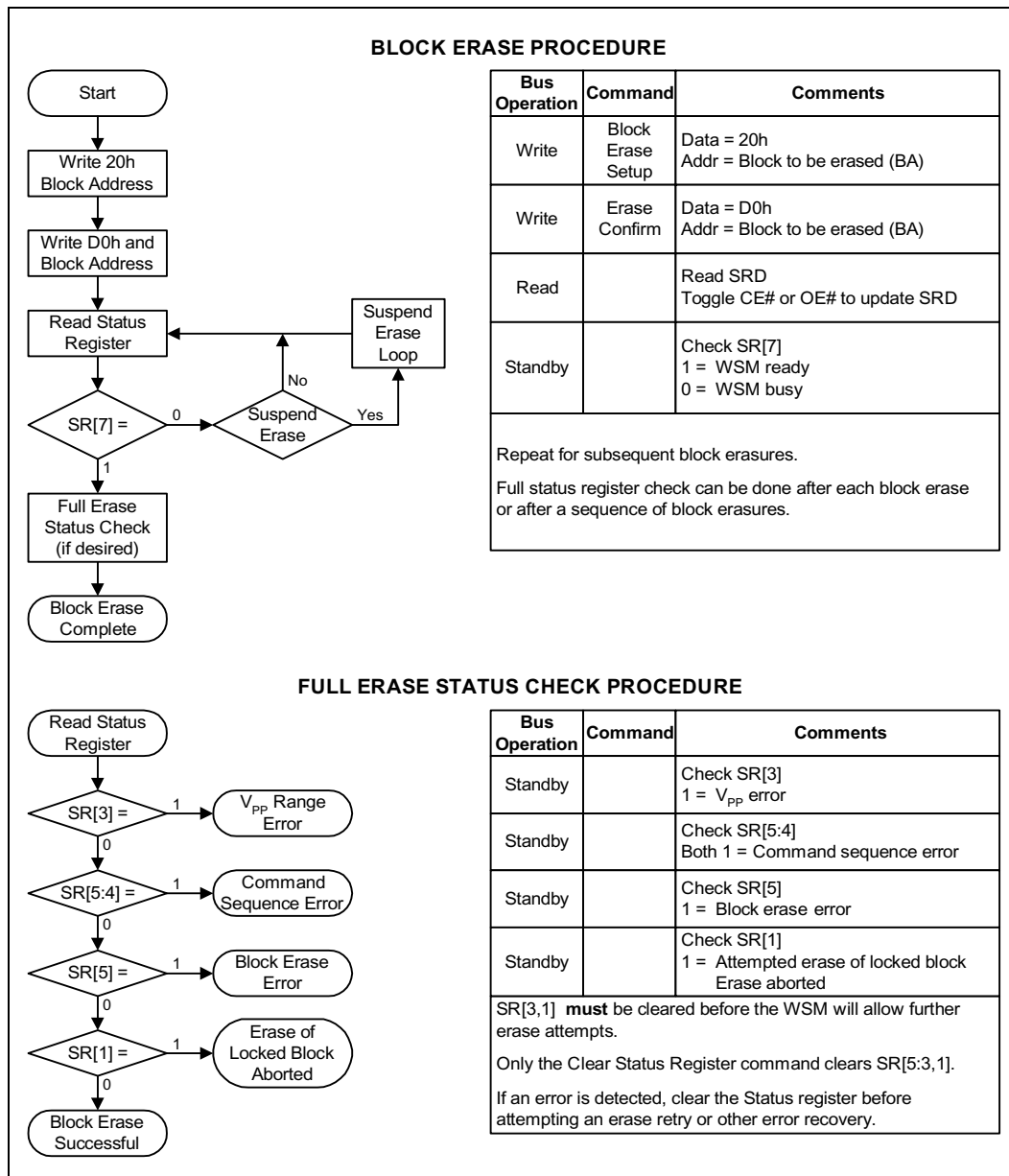
The 2-cycle block erase command sequence, consisting of Erase Setup (20h) and Erase Confirm (D0h), initiates one block erase at the addressed block. Only one partition can be in an erase mode at a time; other partitions must be in a read mode. The Erase Confirm command internally latches the address of the block to be erased. Erase forces all bits within the block to 1. SR[7] is cleared while the erase executes.

After writing the Erase Confirm command, the selected partition is placed in read status register mode and reads performed to that partition return the current status data. The address given during the Erase Confirm command does not need to be the same address used in the Erase Setup command. So, if the Erase Confirm command is given to partition B, then the selected block in partition B will be erased even if the Erase Setup command was to partition A.

The 2-cycle erase sequence cannot be interrupted with a bus write operation. For example, an Erase Setup command must be immediately followed by the Erase Confirm command in order to execute properly. If a different command is issued between the setup and confirm commands, the partition is placed in read-status mode, the status register signals a command sequence error, and all subsequent erase commands to that partition are ignored until the status register is cleared.

The CPU can detect block erase completion by analyzing SR[7] of that partition. If an error bit (SR[5,3,1]) was flagged, the status register can be cleared by issuing the Clear Status Register command before attempting the next operation. The partition remains in read-status mode until another command is written to its CUI. Any CUI instruction can follow after erasing completes. The CUI can be set to read-array mode to prevent inadvertent status register reads.

Figure 32. Block Erase Flowchart



## 12.3 Read-While-Write and Read-While-Erase

The Intel® Wireless Flash Memory (W30) supports flexible multi-partition dual-operation architecture. By dividing the flash memory into many separate partitions, the device can read from one partition while programming or erasing in another partition; hence the terms, RWW and RWE. Both of these features greatly enhance data storage performance.

The product does not support simultaneous program and erase operations. Attempting to perform operations such as these results in a command sequence error. Only one partition can be programming or erasing while another partition is reading. However, one partition may be in erase suspend mode while a second partition is performing a program operation, and yet another partition is executing a read command. [Table 16, “Command Codes and Descriptions” on page 51](#) describes the command codes available for all functions.

## 13.0 Security Modes

---

The W30 offers both hardware and software security features to protect the flash data. The software security feature is used by executing the Lock Block command. The hardware security feature is used by executing the Lock-Down Block command *and* by asserting the WP# signal.

Refer to [Figure 33, “Block Locking State Diagram” on page 70](#) for a state diagram of the flash security features. Also see [Figure 34, “Locking Operations Flowchart” on page 72](#).

### 13.1 Block Lock Operations

Individual instant block locking protects code and data by allowing any block to be locked or unlocked with no latency. This locking scheme offers two levels of protection. The first allows software-only control of block locking (useful for frequently changed data blocks), while the second requires hardware interaction before locking can be changed (protects infrequently changed code blocks).

The following sections discuss the locking system operation. The term “state [abc]” specifies locking states; for example, “state [001],” where a = WP# value, b = block lock-down status bit D1, and c = Block Lock status register bit D0. [Figure 33, “Block Locking State Diagram” on page 70](#) defines possible locking states.

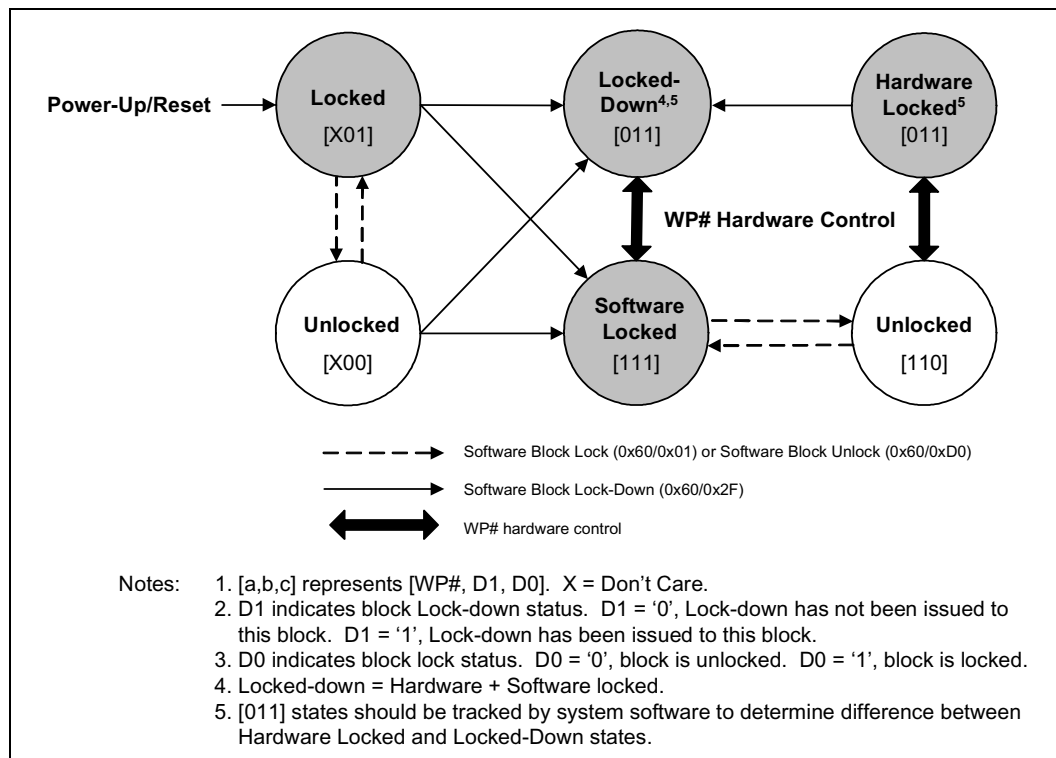
The following summarizes the locking functionality.

- All blocks power-up in a locked state.
- Unlock commands can unlock these blocks, and lock commands can lock them again.
- The Lock-Down command locks a block and prevents it from being unlocked when WP# is asserted.
  - Locked-down blocks can be unlocked or locked with commands as long as WP# is deasserted.
  - When WP# is asserted, previously locked-down blocks return to lock-down.
  - The lock-down status bit is cleared only when the device is reset or powered-down.

Block lock registers are not affected by the  $V_{pp}$  level. They may be modified and read even if  $V_{pp} \leq V_{PPLK}$ .

Each block’s locking status can be set to locked, unlocked, and lock-down, as described in the following sections. See [Figure 34, “Locking Operations Flowchart” on page 72](#).

Figure 33. Block Locking State Diagram



### 13.1.1 Lock

All blocks default to locked (state [x01]) after initial power-up or reset. Locked blocks are fully protected from alteration. Attempted program or erase operations to a locked block will return an error in SR[1]. Unlocked blocks can be locked by using the Lock Block command sequence. Similarly, a locked block's status can be changed to unlocked or lock-down using the appropriate software commands.

### 13.1.2 Unlock

Unlocked blocks (states [x00] and [110]) can be programmed or erased. All unlocked blocks return to the locked state when the device is reset or powered-down. An unlocked block's status can be changed to the locked or locked-down state using the appropriate software commands. A locked block can be unlocked by writing the Unlock Block command sequence if the block is not locked-down.

### 13.1.3 Lock-Down

Locked-down blocks (state [011]) offer the user an additional level of write protection beyond that of a regular locked block. A block that is locked-down cannot have its state changed by software if WP# is asserted. A locked or unlocked block can be locked-down by writing the Lock-Down Block command sequence. If a block was set to locked-down, then later changed to unlocked, a Lock-

Down command should be issued prior asserting WP# will put that block back to the locked-down state. When WP# is deasserted, locked-down blocks are changed to the locked state and can then be unlocked by the Unlock Block command.

### 13.1.4 Block Lock Status

Every block’s lock status can be read in read identifier mode. To enter this mode, issue the Read Identifier command to the device. Subsequent reads at BBA + 02h will output that block’s lock status. For example, to read the block lock status of block 10, the address sent to the device should be 50002h (for a top-parameter device). The lowest two data bits of the read data, DQ1 and DQ0, represent the lock status. DQ0 indicates the block lock status. It is set by the Lock Block command and cleared by the Block Unlock command. It is also set when entering the lock-down state. DQ1 indicates lock-down status and is set by the Lock-Down command. The lock-down status bit cannot be cleared by software—only by device reset or power-down. See [Table 23](#).

**Table 23. Write Protection Truth Table**

VPP	WP#	RST#	Write Protection
X	X	V <sub>IL</sub>	Device inaccessible
V <sub>IL</sub>	X	V <sub>IH</sub>	Word program and block erase prohibited
X	V <sub>IL</sub>	V <sub>IH</sub>	All lock-down blocks locked
X	V <sub>IH</sub>	V <sub>IH</sub>	All lock-down blocks can be unlocked

### 13.1.5 Lock During Erase Suspend

Block lock configurations can be performed during an erase suspend operation by using the standard locking command sequences to unlock, lock, or lock-down a block. This feature is useful when another block requires immediate updating.

To change block locking during an erase operation, first write the Erase Suspend command. After checking SR[6] to determine the erase operation has suspended, write the desired lock command sequence to a block; the lock status will be changed. After completing lock, unlock, read, or program operations, resume the erase operation with the Erase Resume command (D0h).

If a block is locked or locked-down during a suspended erase of the same block, the locking status bits change immediately. When the erase operation is resumed, it will complete normally.

Locking operations cannot occur during program suspend. [Appendix A, “Write State Machine” on page 84](#) shows valid commands during erase suspend.

### 13.1.6 Status Register Error Checking

Using nested locking or program command sequences during erase suspend can introduce ambiguity into status register results.

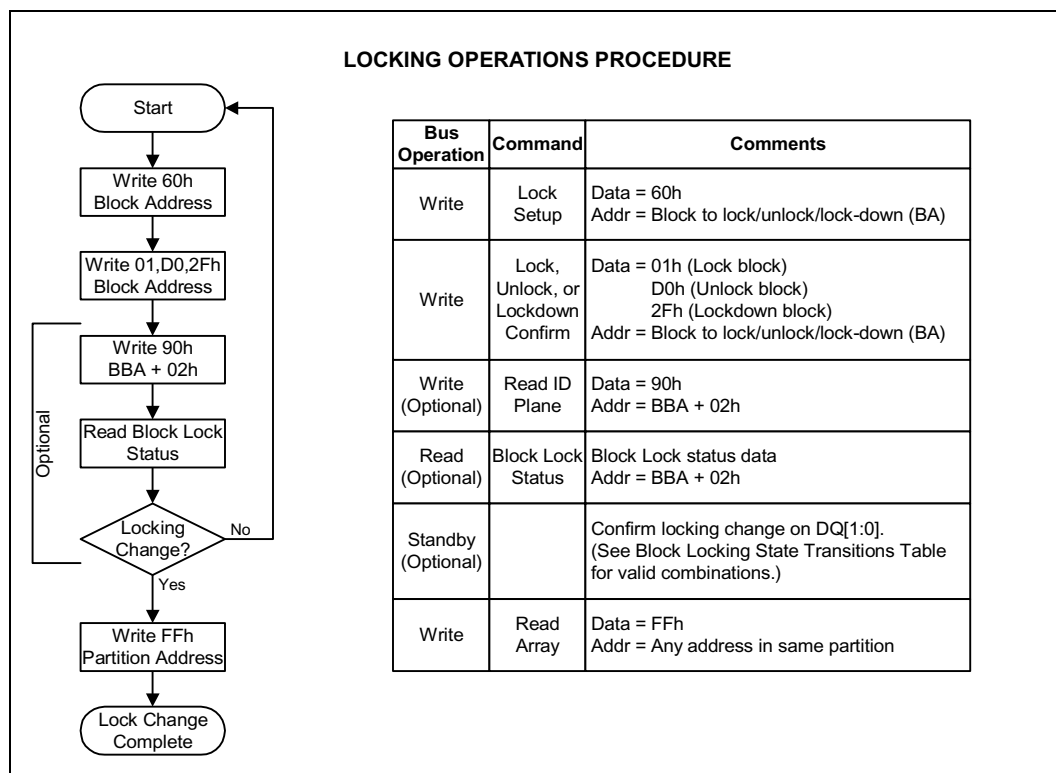
Because locking changes require 2-cycle command sequences, for example, 60h followed by 01h to lock a block, following the Configuration Setup command (60h) with an invalid command produces a command sequence error (SR[5:4]=11b). If a Lock Block command error occurs during erase suspend, the device sets SR[4] and SR[5] to 1 even after the erase is resumed. When erase is

complete, possible errors during the erase cannot be detected from the status register because of the previous locking command error. A similar situation occurs if a program operation error is nested within an erase suspend.

### 13.1.7 WP# Lock-Down Control

The Write Protect signal, WP#, adds an additional layer of block security. WP# only affects blocks that once had the Lock-Down command written to them. After the lock-down status bit is set for a block, asserting WP# forces that block into the lock-down state [011] and prevents it from being unlocked. After WP# is deasserted, the block's state reverts to locked [111] and software commands can then unlock the block (for erase or program operations) and subsequently re-lock it. Only device reset or power-down can clear the lock-down status bit and render WP# ineffective.

Figure 34. Locking Operations Flowchart



## 13.2 Protection Register

The W30 includes a 128-bit Protection Register. This protection register is used to increase system security and for identification purposes. The protection register value can match the flash component to the system's CPU or ASIC to prevent device substitution.

The lower 64 bits within the protection register are programmed by Intel with a unique number in each flash device. The upper 64 OTP bits within the protection register are left for the customer to program. Once programmed, the customer segment can be locked to prevent further programming.



**Note:** The individual bits of the user segment of the protection register are OTP, not the register in total. The user may program each OTP bit individually, one at a time, if desired. After the protection register is locked, however, the entire user segment is locked and no more user bits can be programmed.

The protection register shares some of the same internal flash resources as the parameter partition. Therefore, RWW is only allowed between the protection register and main partitions. [Table 24](#) describes the operations allowed in the protection register, parameter partition, and main partition during RWW and RWE.

**Table 24. Simultaneous Operations Allowed with the Protection Register**

Protection Register	Parameter Partition Array Data	Main Partitions	Description
Read	See Description	Write/Erase	While programming or erasing in a main partition, the protection register can be read from any other partition. Reading the parameter partition data is not allowed if the protection register is being read from addresses within the parameter partition.
See Description	Read	Write/Erase	While programming or erasing in a main partition, read operations are allowed in the parameter partition. Accessing the protection registers from parameter partition addresses is not allowed.
Read	Read	Write/Erase	While programming or erasing in a main partition, read operations are allowed in the parameter partition. Accessing the protection registers in a partition that is <i>different</i> from the one being programmed or erased, and also <i>different</i> from the parameter partition, is allowed.
Write	No Access Allowed	Read	While programming the protection register, reads are only allowed in the other main partitions. Access to the parameter partition is not allowed. This is because programming of the protection register can only occur in the parameter partition, so it will exist in status mode.
No Access Allowed	Write/Erase	Read	While programming or erasing the parameter partition, reads of the protection registers are not allowed in <i>any</i> partition. Reads in other main partitions are supported.

### 13.2.1 Reading the Protection Register

Writing the Read Identifier command allows the protection register data to be read 16 bits at a time from addresses shown in [Table 18, “Device Identification Codes” on page 55](#). The protection register is read from the Read Identifier command and can be read in any partition. Writing the Read Array command returns the device to read-array mode.

### 13.2.2 Programing the Protection Register

The Protection Program command should be issued only at the parameter partition followed by the data to be programmed at the specified location. It programs the upper 64 bits of the protection register 16 bits at a time. [Table 18, “Device Identification Codes” on page 55](#) shows allowable addresses. See also [Figure 35, “Protection Register Programming Flowchart” on page 74](#). Issuing a Protection Program command outside the register’s address space results in a status register error (SR[4]=1).

### 13.2.3 Locking the Protection Register

PR-LK.0 is programmed to 0 by Intel to protect the unique device number. PR-LK.1 can be programmed by the user to lock the user portion (upper 64 bits) of the protection register (See Figure 36, “Protection Register Locking”). This bit is set using the Protection Program command to program “FFFDh” into PR-LK.

After PR-LK register bits are programmed (locked), the protection register’s stored values can’t be changed. Protection Program commands written to a locked section result in a status register error (SR[4]=1, SR[5]=1).

Figure 35. Protection Register Programming Flowchart

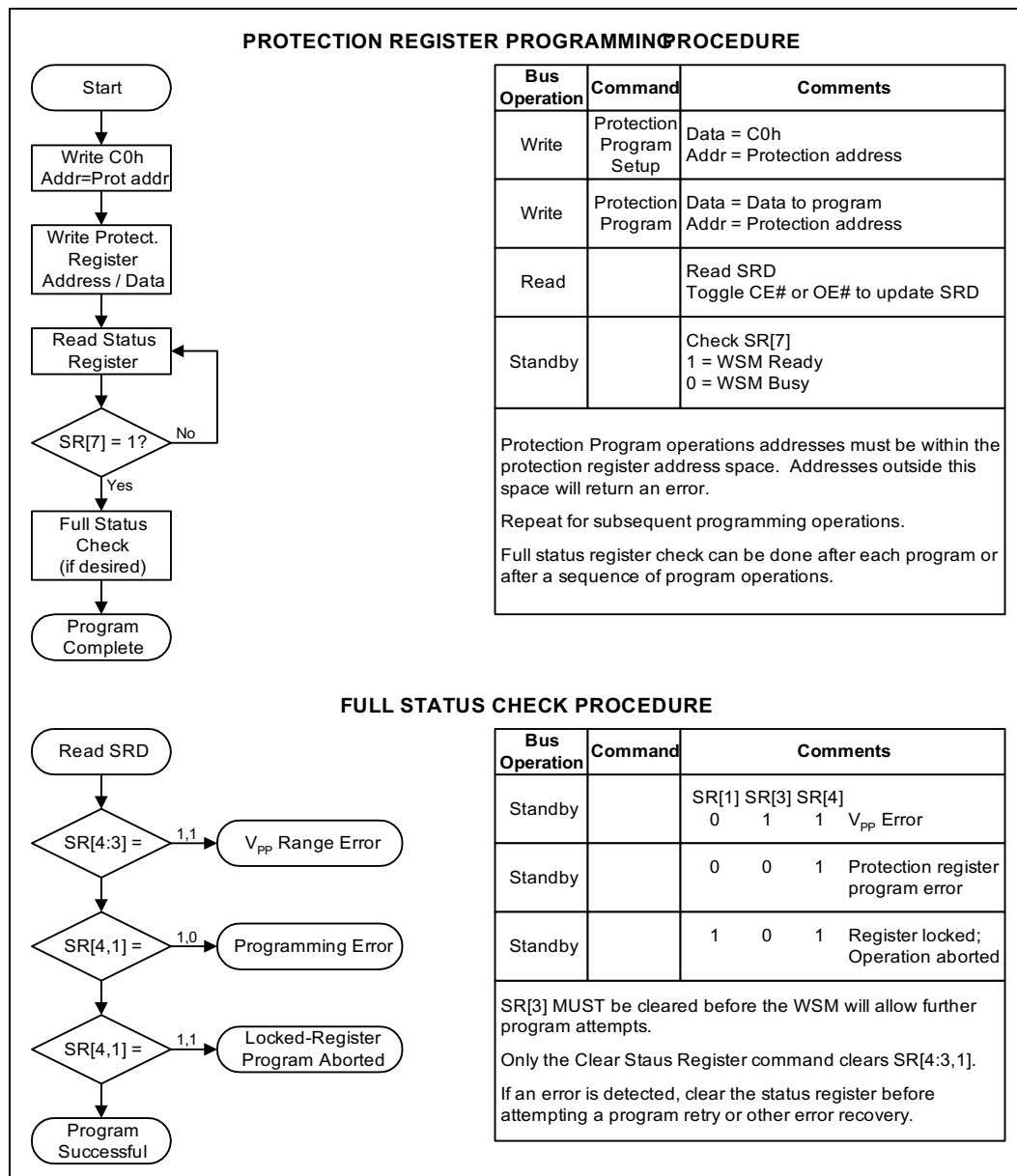
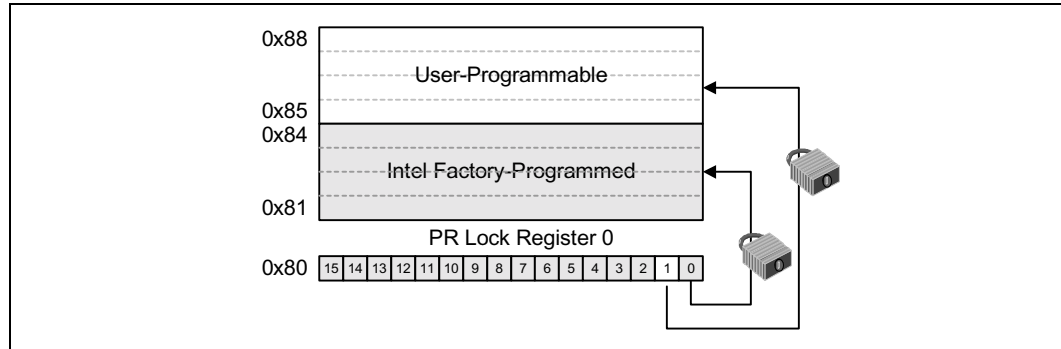


Figure 36. Protection Register Locking

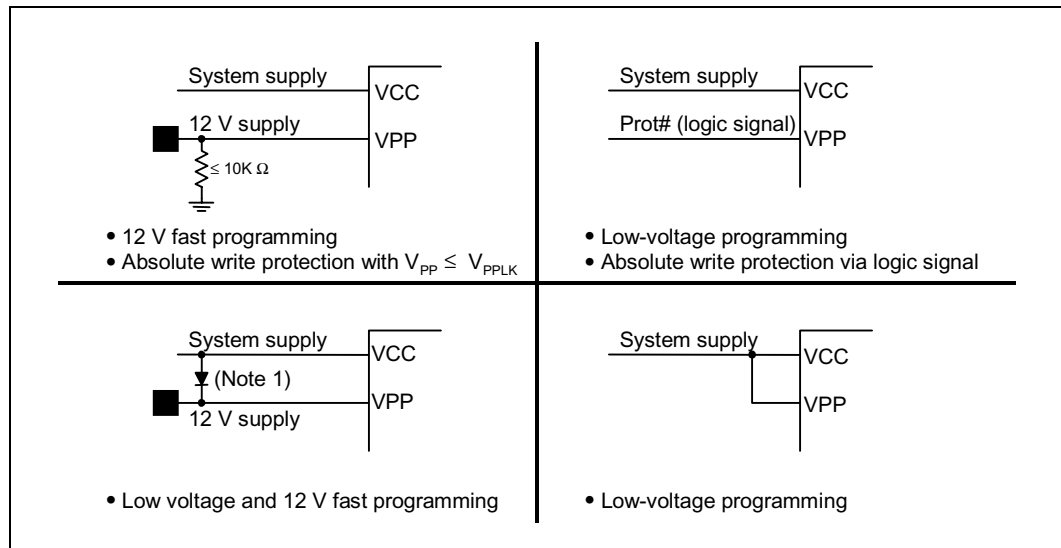


### 13.3 VPP Protection

The Intel® Wireless Flash Memory (W30) provides in-system program and erase at  $V_{PP1}$ . For factory programming, it also includes a low-cost, backward-compatible 12 V programming feature. (See “Factory Programming” on page 59.) The EFP feature can also be used to greatly improve factory program performance as explained in Section 11.3, “Enhanced Factory Program (EFP)” on page 60.

In addition to the flexible block locking, holding the  $V_{PP}$  programming voltage low can provide absolute hardware write protection of all flash-device blocks. If  $V_{PP}$  is below  $V_{PPLK}$ , program or erase operations result in an error displayed in SR[3]. (See Figure 37.)

Figure 37. Examples of VPP Power Supply Configurations



NOTE: If the  $V_{CC}$  supply can sink adequate current, you can use an appropriately valued resistor.

## 14.0 Set Read Configuration Register

---

The Set Read Configuration Register (RCR) command sets the burst order, frequency configuration, burst length, and other parameters.

A two-bus cycle command sequence initiates this operation. The read configuration register data is placed on the lower 16 bits of the address bus (A[15:0]) during both bus cycles. The Set Read Configuration Register command is written along with the configuration data (on the address bus). This is followed by a second write that confirms the operation and again presents the read configuration register data on the address bus. The read configuration register data is latched on the rising edge of ADV#, CE#, or WE# (whichever occurs first). This command functions independently of the applied  $V_{pp}$  voltage. After executing this command, the device returns to read-array mode. The read configuration register's contents can be examined by writing the Read Identifier command and then reading location 05h. (See [Table 25](#) and [Table 26](#).)

**Table 25. Read Configuration Register Definitions**

Read Mode	Res'd	First Access Latency Count			WAIT Polarity	Data Output Config	WAIT Config	Burst Seq	Clock Config	Res'd	Res'd	Burst Wrap	Burst Length		
		LC2	LC1	LC0									BL2	BL1	BL0
RM	R				WT	DOC	WC	BS	CC	R	R	BW			
		13	12	11	10	9	8	7	6	5	4	3	2	1	0

**Table 26. Read Configuration Register Descriptions**

Bit	Name	Description <sup>1</sup>	Notes
15	<b>RM</b> Read Mode	0 = Synchronous Burst Reads Enabled 1 = Asynchronous Reads Enabled (Default)	2,6
14	<b>R</b>	Reserved	5
13-11	<b>LC[2:0]</b> First Access Latency Count	001 = Reserved                      100 = Code 4 010 = Code 2                         101 = Code 5 011 = Code 3                         111 = Reserved (Default)	6
10	<b>WT</b> WAIT Signal Polarity	0 = WAIT signal is asserted low 1 = WAIT signal is asserted high (Default)	3
9	<b>DOC</b> Data Output Configuration	0 = Hold Data for One Clock 1 = Hold Data for Two Clock (Default)	6
8	<b>WC</b> WAIT Configuration	0 = WAIT Asserted During Delay 1 = WAIT Asserted One Data Cycle before Delay (Default)	6
7	<b>BS</b> Burst Sequence	1 = Linear Burst Order (Default)	
6	<b>CC</b> Clock Configuration	0 = Burst Starts and Data Output on Falling Clock Edge 1 = Burst Starts and Data Output on Rising Clock Edge (Default)	
5	<b>R</b>	Reserved	5
4	<b>R</b>	Reserved	5
3	<b>BW</b> Burst Wrap	0 = Wrap bursts within burst length set by CR[2:0] 1 = Don't wrap accesses within burst length set by CR[2:0].(Default)	
2-0	<b>BL[2:0]</b> Burst Length	001 = 4-Word Burst 010 = 8-Word Burst 011 = 16-Word Burst (Available on the .13 μm lithography) 111 = Continuous Burst (Default)	4

**NOTES:**

- Undocumented combinations of bits are reserved by Intel for future implementations.
- Synchronous and page read mode configurations affect reads from main blocks and parameter blocks. Status Register and configuration reads support single read cycles. CR[15]=1 disables configuration set by CR[14:0].
- Data is not ready when WAIT is asserted.
- Set the synchronous burst length. In asynchronous page mode, the burst length equals four words.
- Set all reserved Read Configuration Register bits to zero.
- Setting the Read Configuration Register for synchronous burst-mode with a latency count of 2 (RCR[13:11] = 010), data hold for 2 clocks (RCR[9] = 1), and WAIT asserted one data cycle before delay (RCR[8] = 1) is not supported.

## 14.1 Read Mode (RCR[15])

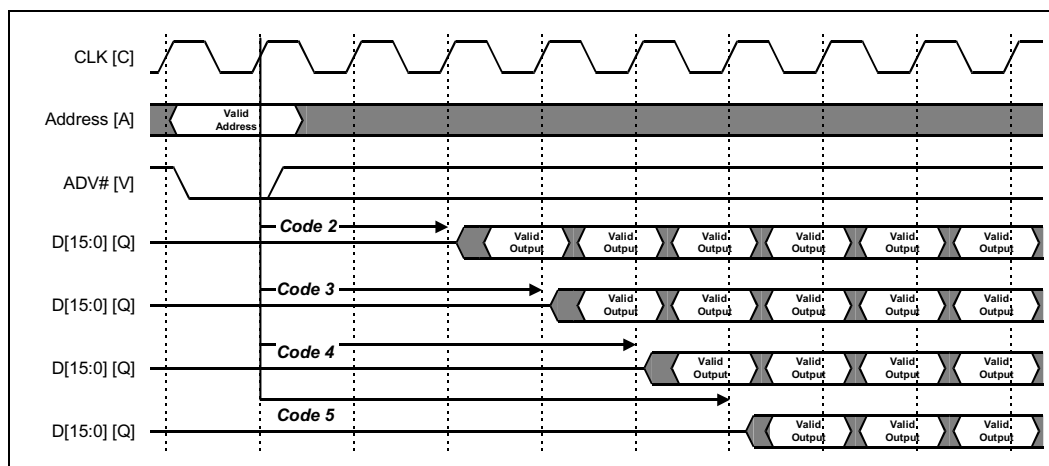
All partitions support two high-performance read configurations: synchronous burst mode and asynchronous page mode (default). RCR[15] sets the read configuration to one of these modes.

Status register, query, and identifier modes support only asynchronous and single-synchronous read operations.

## 14.2 First Access Latency Count (RCR[13:11])

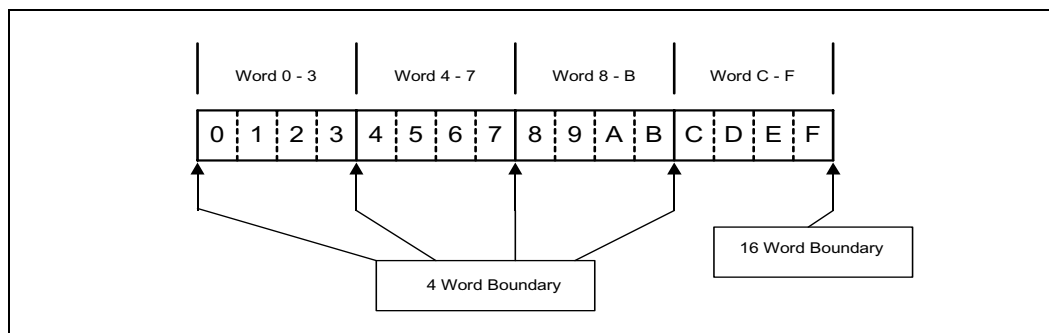
The First Access Latency Count (RCR[13:11]) configuration tells the device how many clocks must elapse from ADV# de-assertion ( $V_{IH}$ ) before the first data word should be driven onto its data pins. The input clock frequency determines this value. See Table 25, “Read Configuration Register Definitions” on page 77 for latency values. Figure 38 shows data output latency from ADV# assertion for different latencies. Refer to Section 14.2.1, “Latency Count Settings” on page 79 for Latency Code Settings.

Figure 38. First Access Latency Configuration



NOTE: Other First Access Latency Configuration settings are reserved.

Figure 39. Word Boundary



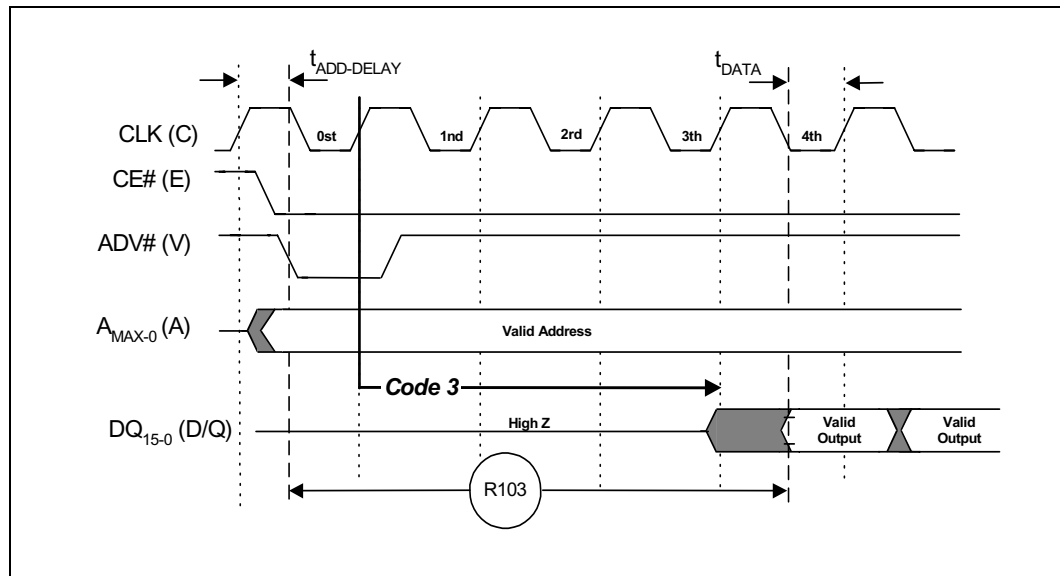
NOTE: The 16-word boundary is the end of the device sense word-line.

### 14.2.1 Latency Count Settings

Table 27. Latency Count Settings

	$t_{AVQV}/t_{CHQV}$ (85ns/22ns)		$t_{AVQV}/t_{CHQV}$ (70ns/20ns)	$t_{AVQV}/t_{CHQV}$ (90ns/22ns)		Unit
Latency Count Settings	2	3, 4, 5	2, 3, 4, 5	2	3, 4, 5	
Frequency	≤ 31	≤ 33	≤ 40	≤ 29	≤ 33	MHz

Figure 40. Data Output with LC Setting at Code 3



### 14.3 WAIT Signal Polarity (RCR[10])

If the WT bit is cleared (RCR[10]=0), then WAIT is configured to be asserted low. This means that a 0 on the WAIT signal indicates that data is not ready and the data bus contains invalid data. Conversely, if RCR[10] is set, then WAIT is asserted high. In either case, if WAIT is deasserted, then data is ready and valid. WAIT is asserted during asynchronous page mode reads.

### 14.4 WAIT Signal Function

The WAIT signal indicates data valid when the device is operating in synchronous mode (RCR[15]=0), and when addressing a partition that is currently in read-array mode. The WAIT signal is only “deasserted” when data is valid on the bus.

When the device is operating in synchronous non-read-array mode, such as read status, read ID, or read query, WAIT is set to an “asserted” state as determined by RCR[10]. See Figure 14, “WAIT Signal in Synchronous Non-Read Array Operation Waveform” on page 37.

When the device is operating in asynchronous page mode or asynchronous single word read mode, WAIT is set to an “asserted” state as determined by RCR[10]. See [Figure 10, “Page-Mode Read Operation Waveform” on page 33](#), and [Figure 8, “Asynchronous Read Operation Waveform” on page 31](#).

From a system perspective, the WAIT signal is in the asserted state (based on RCR[10]) when the device is operating in synchronous non-read-array mode (such as Read ID, Read Query, or Read Status), or if the device is operating in asynchronous mode (RCR[15]=1). In these cases, the system software should ignore (mask) the WAIT signal, because it does not convey any useful information about the validity of what is appearing on the data bus.

CONDITION	WAIT
CE# = V <sub>IH</sub> CE# = V <sub>IL</sub>	Tri-State Active
OE#	No-Effect
Synchronous Array Read	Active
Synchronous Non-Array Read	Asserted
All Asynchronous Read and all Write	Asserted

## 14.5 Data Hold (RCR[9])

The Data Output Configuration (DOC) bit (RCR[9]) determines whether a data word remains valid on the data bus for one or two clock cycles. The processor’s minimum data set-up time and the flash memory’s clock-to-data output delay determine whether one or two clocks are needed.

A DOC set at 1-clock data hold corresponds to a 1-clock data cycle; a DOC set at 2-clock data hold corresponds to a 2-clock data cycle. The setting of this configuration bit depends on the system and CPU characteristics. For clarification, see [Figure 41, “Data Output Configuration with WAIT Signal Delay” on page 81](#). A method for determining this configuration setting is shown below.

To set the device at 1-clock data hold for subsequent reads, the following condition must be satisfied:

$$t_{\text{CHQV}} (\text{ns}) + t_{\text{DATA}} (\text{ns}) \leq \text{One CLK Period} (\text{ns})$$

As an example, use a clock frequency of 54 MHz and a clock period of 25 ns. Assume the data output hold time is one clock. Apply this data to the formula above for the subsequent reads:

$$20 \text{ ns} + 4 \text{ ns} \leq 25 \text{ ns}$$

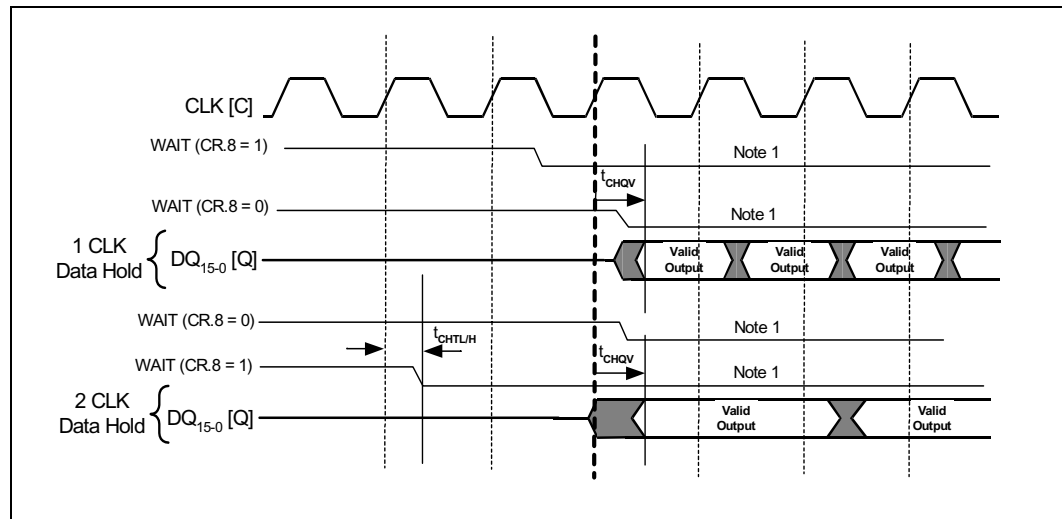
This equation is satisfied, and data output will be available and valid at every clock period. If  $t_{\text{DATA}}$  is long, hold for two cycles. During page-mode reads, the initial access time can be determined by the formula:

$$t_{\text{ADD-DELAY}} (\text{ns}) + t_{\text{DATA}} (\text{ns}) + t_{\text{AVQV}} (\text{ns})$$

Subsequent reads in page mode are defined by:

$$t_{\text{APA}} (\text{ns}) + t_{\text{DATA}} (\text{ns}) \quad (\text{minimum time})$$



**Figure 41. Data Output Configuration with WAIT Signal Delay**


**NOTE:** WAIT shown asserted high (RCR[10]=1).

## 14.6 WAIT Delay (RCR[8])

The WAIT configuration bit (RCR[8]) controls WAIT signal delay behavior for all synchronous read-array modes. Its setting depends on the system and CPU characteristics. The WAIT can be asserted either during, or one data *cycle* before, a valid output.

In synchronous linear read array (no-wrap mode RCR[3]=1) of 4-, 8-, 16-, or continuous-word burst mode, an output delay may occur when a burst sequence crosses its first device-row boundary (16-word boundary). If the burst start address is 4-word boundary aligned, the delay does not occur. If the start address is misaligned to a 4-word boundary, the delay occurs once per burst-mode read sequence. The WAIT signal informs the system of this delay.

## 14.7 Burst Sequence (RCR[7])

The burst sequence specifies the synchronous-burst mode data order (see [Table 28, “Sequence and Burst Length”](#) on page 82). When operating in a linear burst mode, either 4-, 8-, or 16-word burst length with the burst wrap bit (RCR[3]) set, or in continuous burst mode, the device may incur an output delay when the burst sequence crosses the first 16-word boundary. (See [Figure 39, “Word Boundary”](#) on page 78 for word boundary description.) This depends on the starting address. If the starting address is aligned to a 4-word boundary, there is no delay. If the starting address is the end of a 4-word boundary, the output delay is one clock cycle less than the First Access Latency Count; this is the worst-case delay. The delay takes place only once, and only if the burst sequence crosses a 16-word boundary. The WAIT pin informs the system of this delay. For timing diagrams of WAIT functionality, see these figures:

- [Figure 11, “Single Synchronous Read-Array Operation Waveform”](#) on page 34
- [Figure 12, “Synchronous 4-Word Burst Read Operation Waveform”](#) on page 35

- Figure 13, “WAIT Functionality for EOWL (End-of-Word Line) Condition Waveform” on page 36

**Table 28. Sequence and Burst Length**

	Start Addr. (Dec)	Burst Addressing Sequence (Decimal)			
		4-Word Burst CR[2:0]=001b	8-Word Burst CR[2:0]=010b	16-Word Burst <sup>1</sup> CR[2:0]=011b	Continuous Burst CR[2:0]=111b
		Linear	Linear	Linear	Linear
Wrap (CR[3]=0)	0	0-1-2-3	0-1-2-3-4-5-6-7	0-1-2...14-15	0-1-2-3-4-5-6-...
	1	1-2-3-0	1-2-3-4-5-6-7-0	1-2-3...14-15-0	1-2-3-4-5-6-7-...
	2	2-3-0-1	2-3-4-5-6-7-0-1	2-3-4...15-0-1	2-3-4-5-6-7-8-...
	3	3-0-1-2	3-4-5-6-7-0-1-2	3-4-5...15-0-1-2	3-4-5-6-7-8-9-...
	4		4-5-6-7-0-1-2-3	4-5-6...15-0-1-2- 3	4-5-6-7-8-9-10-...
	5		5-6-7-0-1-2-3-4	5-6-7...15-0-1...4	5-6-7-8-9-10-11-...
	6		6-7-0-1-2-3-4-5	6-7-8...15-0-1...5	6-7-8-9-10-11-12- ...
	7		7-0-1-2-3-4-5-6	7-8-9...15-0-1...6	7-8-9-10-11-12-13- ...
	⋮	⋮	⋮	⋮	⋮
	14			14-15-0-1...13	14-15-16-17-18-19- 20-...
	15			15-0-1-2-3...14	15-16-17-18-19-...
No-Wrap (CR[3]=1)	0	0-1-2-3	0-1-2-3-4-5-6-7	0-1-2...14-15	0-1-2-3-4-5-6-...
	1	1-2-3-4	1-2-3-4-5-6-7-8	1-2-3...15-16	1-2-3-4-5-6-7-...
	2	2-3-4-5	2-3-4-5-6-7-8-9	2-3-4...16-17	2-3-4-5-6-7-8-...
	3	3-4-5-6	3-4-5-6-7-8-9- 10	3-4-5...17-18	3-4-5-6-7-8-9-...
	4		4-5-6-7-8-9-10- 11	4-5-6...18-19	4-5-6-7-8-9-10-...
	5		5-6-7-8-9-10- 11-12	5-6-7...19-20	5-6-7-8-9-10-11-...
	6		6-7-8-9-10-11- 12-13	6-7-8...20-21	6-7-8-9-10-11-12- ...
	7		7-8-9-10-11- 12-13-14	7-8-9...21-22	7-8-9-10-11-12-13- ...
	⋮	⋮	⋮	⋮	⋮
	14			14-15...28-29	14-15-16-17-18-19- 20-...
	15			15-16...29-30	15-16-17-18-19-20- 21-...

**NOTE:** Available on the 0.13 μm lithography

## 14.8 Clock Edge (RCR[6])

Configuring the valid clock edge enables a flexible memory interface to a wide range of burst CPUs. Clock configuration sets the device to start a burst cycle, output data, and assert WAIT on the clock's rising or falling edge.

## 14.9 Burst Wrap (RCR[3])

The burst wrap bit determines whether 4-, 8-, or 16-word burst accesses wrap within the burst-length boundary or whether they cross word-length boundaries to perform linear accesses. No-wrap mode (RCR[3]=1) enables WAIT to hold off the system processor, as it does in the continuous burst mode, until valid data is available. In no-wrap mode (RCR[3]=0), the device operates similarly to continuous linear burst mode but consumes less power during 4-, 8-, or 16-word bursts.

For example, if RCR[3]=0 (wrap mode) and RCR[2:0] = 1h (4-word burst), possible linear burst sequences are 0-1-2-3, 1-2-3-0, 2-3-0-1, 3-0-1-2.

If RCR[3]=1 (no-wrap mode) and RCR[2:0] = 1h (4-word burst length), then possible linear burst sequences are 0-1-2-3, 1-2-3-4, 2-3-4-5, and 3-4-5-6. RCR[3]=1 not only enables limited non-aligned sequential bursts, but also reduces power by minimizing the number of internal read operations.

Setting RCR[2:0] bits for continuous linear burst mode (7h) also achieves the above 4-word burst sequences. However, significantly more power may be consumed. The 1-2-3-4 sequence, for example, consumes power during the initial access, again during the internal pipeline lookup as the processor reads word 2, and possibly again, depending on system timing, near the end of the sequence as the device pipelines the next 4-word sequence. RCR[3]=1 while in 4-word burst mode (no-wrap mode) reduces this excess power consumption.

## 14.10 Burst Length (RCR[2:0])

The burst length is the number of words the device outputs in a synchronous read access. 4-, 8-, 16-, and continuous-word are supported. In 4-, 8-, or 16-word burst configuration, the burst wrap bit (RCR[3]) determines if burst accesses wrap within word-length boundaries or whether they cross word-length boundaries to perform a linear access. Once an address is given, the device outputs data until it reaches the end of its burstable address space. Continuous burst accesses are linear only (burst wrap bit RCR[3] is ignored during continuous burst) and do not wrap within word-length boundaries (see [Table 28, "Sequence and Burst Length" on page 82](#)).

## Appendix A Write State Machine

This table shows the command state transitions based on incoming commands. Only one partition can be actively programming or erasing at a time.

Figure 42. Next State Table (Sheet 1 of 2)

Chip Next State after Command Input											
Write State Machine (WSM) Next State Table	Current Chip State <sup>(8)</sup>	Read Array <sup>(3)</sup>	Program Setup <sup>(4,5)</sup>	Erase Setup <sup>(4,5)</sup>	Enhanced Factory Pgm Setup <sup>(4)</sup>	BE Confirm, P/E Resume, ULB Confirm <sup>(9)</sup>	Program / Erase Suspend	Read Status	Clear Status Register <sup>(6)</sup>	Read ID/Query	
		(FFH)	(10H/40H)	(20H)	(30H)	(D0H)	(B0H)	(70H)	(50H)	(90H, 98H)	
Ready	Ready	Ready	Program Setup	Erase Setup	EFP Setup	Ready					
Lock/CR Setup		Ready (Lock Error)			Ready	Ready (Lock Error)					
OTP	Setup	OTP Busy									
	Busy										
Program	Setup	Program Busy									
	Busy	Program Busy					Pgm Susp	Program Busy			
	Suspend	Program Suspend				Pgm Busy	Program Suspend				
Erase	Setup	Ready (Error)				Erase Busy	Ready (Error)				
	Busy	Erase Busy					Erase Susp	Erase Busy			
	Suspend	Erase Suspend	Pgm in Erase Susp Setup	Erase Suspend		Erase Busy	Erase Suspend				
Program in Erase Suspend	Setup	Program in Erase Suspend Busy									
	Busy	Program in Erase Suspend Busy					Pgm Susp in Erase Susp	Program in Erase Suspend Busy			
	Suspend	Program Suspend in Erase Suspend				Pgm in Erase Susp Busy	Program Suspend in Erase Suspend				
Lock/CR Setup in Erase Suspend		Erase Suspend (Lock Error)			Erase Susp	Erase Suspend (Lock Error)					
Enhanced Factory Program	Setup	Ready (Error)				EFP Busy	Ready (Error)				
	EFP Busy	EFP Busy <sup>(7)</sup>									
	EFP Verify	Verify Busy <sup>(7)</sup>									

Output Next State after Command Input						
Output Next State Table <sup>(1)</sup>	Pgm Setup, Erase Setup, OTP Setup, Pgm in Erase Susp Setup, EFP Setup, EFP Busy, Verify Busy	Status				
	Lock/CR Setup, Lock/CR Setup in Erase Susp	Status				
	OTP Busy	Status				
Ready, Pgm Busy, Pgm Suspend, Erase Busy, Erase Suspend, Pgm In Erase Susp Busy, Pgm Susp In Erase Susp	Array <sup>(3)</sup>	Status	Output does not change	Status	Output does not change	ID/Query

Figure 42. Next State Table (Sheet 2 of 2)

Chip Next State after Command Input										
Write State Machine (WSM) Next State Table	Current Chip State <sup>(8)</sup>	Lock, Unlock, Lock-down, CR setup <sup>(6)</sup> (60H)	OTP Setup <sup>(5)</sup> (C0H)	Lock Block Confirm <sup>(9)</sup> (01H)	Lock-Down Block Confirm <sup>(9)</sup> (2FH)	Write CR Confirm <sup>(9)</sup> (03H)	Enhanced Fact Pgm Exit (blk add <> WA0) (XXXXH)	Illegal commands or EFP data <sup>(2)</sup> (other codes)	WSM Operation Completes	
	Ready	Lock/CR Setup	OTP Setup	Ready						N/A
	Lock/CR Setup	Ready (Lock Error)	Ready	Ready	Ready	Ready	Ready (Lock Error)			
	OTP	Setup	OTP Busy							Ready
		Busy								
	Program	Setup	Program Busy							N/A
		Busy	Program Busy							Ready
		Suspend	Program Suspend							N/A
	Erase	Setup	Ready (Error)							N/A
		Busy	Erase Busy						Erase Busy	Ready
Suspend		Lock/CR Setup in Erase Susp	Erase Suspend					N/A		
Program in Erase Suspend	Setup	Program in Erase Suspend Busy							Erase Suspend	
	Busy	Program in Erase Suspend Busy								
	Suspend	Program Suspend in Erase Suspend								
Lock/CR Setup in Erase Suspend	Erase Suspend (Lock Error)	Erase Susp	Erase Susp	Erase Susp	Erase Susp	Erase Suspend (Lock Error)			N/A	
Enhanced Factory Program	Setup	Ready (Error)							Ready	
	EFP Busy	EFP Busy <sup>(7)</sup>				EFP Verify	EFP Busy <sup>(7)</sup>			
	EFP Verify	Verify Busy <sup>(7)</sup>				Ready	EFP Verify <sup>(7)</sup>			

Output Next State after Command Input						
Output Next State Table <sup>(1)</sup>	Pgm Setup, Erase Setup, OTP Setup, Pgm in Erase Susp Setup, EFP Setup, EFP Busy, Verify Busy	Status				Output does not change
	Lock/CR Setup, Lock/CR Setup in Erase Susp	Status	Array	Status		
	OTP Busy	Status	Output does not change	Array	Output does not change	
Ready, Pgm Busy, Pgm Suspend, Erase Busy, Erase Suspend, Pgm In Erase Susp Busy, Pgm Susp In Erase Susp	Status	Output does not change	Array	Output does not change		

**NOTES:**

- The output state shows the type of data that appears at the outputs if the partition address is the same as the command address.  
A partition can be placed in Read Array, Read Status or Read ID/CFI, depending on the command issued. Each partition stays in its last output state (Array, ID/CFI or Status) until a new command changes it. The next WSM state does not depend on the partition's output state.  
For example, if partition #1's output state is Read Array and partition #4's output state is Read Status, every read from partition #4 (without issuing a new command) outputs the Status register.

2. Illegal commands are those not defined in the command set.
3. All partitions default to Read Array mode at power-up. A Read Array command issued to a busy partition results in undetermined data when a partition address is read.
4. Both cycles of two-cycle commands should be issued to the same partition address. If they are issued to different partitions, the address used for the second write cycle determines the active partition. Both partitions will output status information when read.
5. If the WSM is active, both cycles of a two-cycle command are ignored. This differs from previous Intel devices.
6. The Clear Status command clears status register error bits except when the WSM is running (Pgm Busy, Erase Busy, Pgm Busy In Erase Suspend, OTP Busy, EFP modes) or suspended (Erase Suspend, Pgm Suspend, Pgm Suspend In Erase Suspend).
7. EFP writes are allowed only when status register bit SR.0 = 0. EFP is busy if Block Address = address at EFP Confirm command. Any other commands are treated as data.
8. The "current state" is that of the WSM, not the partition.
9. Confirm commands (Lock Block, Unlock Block, Lock-down Block, Configuration Register) perform the operation and then move to the Ready State.
10. In Erase suspend, the only valid two-cycle commands are "Program Word", "Lock/Unlock/Lockdown Block", and "CR Write". Both cycles of other two-cycle commands ("Program OTP & confirm", "EFP Setup & confirm", "Erase setup & confirm") will be ignored. In Program suspend or Program suspend in Erase suspend, both cycles of all two-cycle commands will be ignored.

## Appendix B Common Flash Interface

This appendix defines the data structure or “database” returned by the Common Flash Interface (CFI) Query command. System software should parse this structure to gain critical information such as block size, density, x8/x16, and electrical specifications. Once this information has been obtained, the software will know which command sets to use to enable flash writes, block erases, and otherwise control the flash component. The Query is part of an overall specification for multiple command set and control interface descriptions called Common Flash Interface, or CFI.

### B.1 Query Structure Output

The Query database allows system software to obtain information for controlling the flash device. This section describes the device’s CFI-compliant interface that allows access to Query data.

Query data are presented on the lowest-order data outputs (DQ0-7) only. The numerical offset value is the address relative to the maximum bus width supported by the device. On this family of devices, the Query table device starting address is a 10h, which is a word address for x16 devices.

For a word-wide (x16) device, the first two Query-structure bytes, ASCII “Q” and “R,” appear on the low byte at word addresses 10h and 11h. This CFI-compliant device outputs 00h data on upper bytes. The device outputs ASCII “Q” in the low byte (DQ<sub>0-7</sub>) and 00h in the high byte (DQ<sub>8-15</sub>).

At Query addresses containing two or more bytes of information, the least significant data byte is presented at the lower address, and the most significant data byte is presented at the higher address.

In all of the following tables, addresses and data are represented in hexadecimal notation, so the “h” suffix has been dropped. In addition, since the upper byte of word-wide devices is always “00h,” the leading “00” has been dropped from the table notation and only the lower byte value is shown. Any x16 device outputs can be assumed to have 00h on the upper byte in this mode.

**Table 29. Summary of Query Structure Output as a Function of Device and Mode**

Address	Device	Mode	Output
10h	x16	Normal	Q
11h	x16	Normal	R
12h	x16	Normal	00
13h	x16	Normal	00
14h	x16	Normal	00
15h	x16	Normal	00
16h	x16	Normal	00
17h	x16	Normal	00
18h	x16	Normal	00
19h	x16	Normal	00
10h	x8	Normal	Q
11h	x8	Normal	R
12h	x8	Normal	00
13h	x8	Normal	00
14h	x8	Normal	00
15h	x8	Normal	00
16h	x8	Normal	00
17h	x8	Normal	00
18h	x8	Normal	00
19h	x8	Normal	00

**Table 30. Example of Query Structure Output of x16- and x8 Devices**

Word Addressing			Byte Addressing		
Offset	Hex Code	Value	Offset	Hex Code	Value
AA	D <sub>0-15</sub>		AA	D <sub>0-15</sub>	
00h	051	'Q	00h	51	'Q
001h	052	'R	001h	52	'R
002h	053	'Y	002h	53	'Y
003h	PI <sub>0</sub>	FA <sub>0-7</sub>	003h	PI <sub>0</sub>	FA <sub>0-7</sub>
004h	PI <sub>1</sub>	ID#	004h	PI <sub>0</sub>	ID#
005h	R <sub>0</sub>	FA <sub>0-7</sub>	005h	PI <sub>1</sub>	ID#
006h	R <sub>1</sub>	TA <sub>0-7</sub>	006h	...	...
007h	AI <sub>0</sub>	AA <sub>0-7</sub>	007h		
008h	AI <sub>1</sub>	ID#	008h		
...	...	...	...		

## B.2 Query Structure Overview

The Query command causes the flash component to display the Common Flash Interface (CFI) Query structure or “database.” The structure sub-sections and address locations are summarized below.

**Table 31. Query Structure**

Offset	Sub-Section Name	Description <sup>(1)</sup>
00000h		Manufacturer Code
00001h		Device Code
(BA+2)h <sup>(2)</sup>	Block Status register	Block-specific information
00004-Fh	Reserved	Reserved for vendor-specific information
00010h	CFI query identification string	Command set ID and vendor data offset
0001Bh	System interface information	Device timing & voltage information
00027h	Device geometry definition	Flash device layout
P <sup>(3)</sup>	Primary Intel-specific Extended Query Table	Vendor-defined additional information specific to the Primary Vendor Algorithm

**NOTES:**

1. Refer to the Query Structure Output section and offset 28h for the detailed definition of offset address as a function of device bus width and mode.
2. BA = Block Address beginning location (i.e., 08000h is block 1’s beginning location when the block size is 32K-word).
3. Offset 15 defines “P” which points to the Primary Intel-specific Extended Query Table.

## B.3 Block Status Register

The Block Status Register indicates whether an erase operation completed successfully or whether a given block is locked or can be accessed for flash program/erase operations.

Block Erase Status (BSR.1) allows system software to determine the success of the last block erase operation. BSR.1 can be used just after power-up to verify that the VCC supply was not accidentally removed during an erase operation.

**Table 32. Block Status Register**

Offset	Length	Description	Add.	Value
(BA+2)h <sup>(1)</sup>	1	Block Lock Status Register	BA+2	--00 or --01
		BSR.0 Block lock status 0 = Unlocked 1 = Locked	BA+2	(bit 0): 0 or 1
		BSR.1 Block lock-down status 0 = Not locked down 1 = Locked down	BA+2	(bit 1): 0 or 1
		BSR 2–7: Reserved for future use	BA+2	(bit 2–7): 0

**NOTES:**

1. BA = Block Address beginning location (i.e., 08000h is block 1’s beginning location when the block size is 32K-word).

## B.4 CFI Query Identification String

The Identification String provides verification that the component supports the Common Flash Interface specification. It also indicates the specification version and supported vendor-specified command set(s).



Table 33. CFI Identification

Offset	Length	Description	Addr	Hex Code	Value
10h	3	Qeyunique ASCII string 'CR'	10 11 12	-51 -52 -59	'C' 'R' 'Y'
13h	2	Final vendor commands and control interface Data Bit ID Code for vendor specified algorithms	13 14	-03 -00	
15h	2	Extended Qey ID algorithm address	15 16	-39 -00	
17h	2	Alternate vendor commands and control interface Data Code for vendor specified algorithms	17 18	-00 -00	
19h	2	Secondary algorithm Extended Qey ID address Code for vendor specified algorithms	19 1A	-00 -00	

Table 34. System Interface Information

Offset	Length	Description	Addr	Hex Code	Value
1Bh	1	V <sub>CC</sub> logic supply minimum program/erase voltage bits 0–3 BCD 100 mV bits 4–7 BCD volts	1B:	--17	1.7V
1Ch	1	V <sub>CC</sub> logic supply maximum program/erase voltage bits 0–3 BCD 100 mV bits 4–7 BCD volts	1C:	--19	1.9V
1Dh	1	V <sub>PP</sub> [programming] supply minimum program/erase voltage bits 0–3 BCD 100 mV bits 4–7 HEX volts	1D:	--B4	11.4V
1Eh	1	V <sub>PP</sub> [programming] supply maximum program/erase voltage bits 0–3 BCD 100 mV bits 4–7 HEX volts	1E:	--C6	12.6V
1Fh	1	"n" such that typical single word program time-out = 2 <sup>n</sup> μ-sec	1F:	--04	16μs
20h	1	"n" such that typical max. buffer write time-out = 2 <sup>n</sup> μ-sec	20:	--00	NA
21h	1	"n" such that typical block erase time-out = 2 <sup>n</sup> m-sec	21:	--0A	1s
22h	1	"n" such that typical full chip erase time-out = 2 <sup>n</sup> m-sec	22:	--00	NA
23h	1	"n" such that maximum word program time-out = 2 <sup>n</sup> times typical	23:	--04	256μs
24h	1	"n" such that maximum buffer write time-out = 2 <sup>n</sup> times typical	24:	--00	NA
25h	1	"n" such that maximum block erase time-out = 2 <sup>n</sup> times typical	25:	--03	8s
26h	1	"n" such that maximum chip erase time-out = 2 <sup>n</sup> times typical	26:	--00	NA

## B.5 Device Geometry Definition

Table 35. Device Geometry Definition

Offset	Length	Description	Code																																	
27h	1	"n" such that device size = 2 <sup>n</sup> in number of bytes	27:	See table below																																
28h	2	Flash device interface code assignment: "n" such that n+1 specifies the bit field that represents the flash device width capabilities as described in the table:	28:	--01 x16																																
		<table border="1" style="width: 100%; text-align: center;"> <tr> <td>7</td><td>6</td><td>5</td><td>4</td><td>3</td><td>2</td><td>1</td><td>0</td> </tr> <tr> <td>—</td><td>—</td><td>—</td><td>—</td><td>x64</td><td>x32</td><td>x16</td><td>x8</td> </tr> <tr> <td>15</td><td>14</td><td>13</td><td>12</td><td>11</td><td>10</td><td>9</td><td>8</td> </tr> <tr> <td>—</td><td>—</td><td>—</td><td>—</td><td>—</td><td>—</td><td>—</td><td>—</td> </tr> </table>			7	6	5	4	3	2	1	0	—	—	—	—	x64	x32	x16	x8	15	14	13	12	11	10	9	8	—	—	—	—	—	—	—	—
		7			6	5	4	3	2	1	0																									
—	—	—	—	x64	x32	x16	x8																													
15	14	13	12	11	10	9	8																													
—	—	—	—	—	—	—	—																													
29:	--00																																			
2Ah	2	"n" such that maximum number of bytes in write buffer = 2 <sup>n</sup>	2A: 2B:	--00 0 --00																																
2Ch	1	Number of erase block regions (x) within device: 1. x = 0 means no erase blocking; the device erases in bulk 2. x specifies the number of device regions with one or more contiguous same-size erase blocks. 3. Symmetrically blocked partitions have one blocking region	2C:	See table below																																
2Dh	4	Erase Block Region 1 Information bits 0–15 = y, y+1 = number of identical-size erase blocks bits 16–31 = z, region erase block(s) size are z x 256 bytes	2D: 2E: 2F: 30:	See table below																																
31h	4	Erase Block Region 2 Information bits 0–15 = y, y+1 = number of identical-size erase blocks bits 16–31 = z, region erase block(s) size are z x 256 bytes	31: 32: 33: 34:	See table below																																
35h	4	Reserved for future erase block region information	35: 36: 37: 38:	See table below																																

Address	32 Mbit		64 Mbit		128 Mbit	
	-B	-T	-B	-T	-B	-T
27:	--16	--16	--17	--17	--18	--18
28:	--01	--01	--01	--01	--01	--01
29:	--00	--00	--00	--00	--00	--00
2A:	--00	--00	--00	--00	--00	--00
2B:	--00	--00	--00	--00	--00	--00
2C:	--02	--02	--02	--02	--02	--02
2D:	--07	--3E	--07	--7E	--07	--FE
2E:	--00	--00	--00	--00	--00	--00
2F:	--20	--00	--20	--00	--20	--00
30:	--00	--01	--00	--01	--00	--01
31:	--3E	--07	--7E	--07	--FE	--07
32:	--00	--00	--00	--00	--00	--00
33:	--00	--20	--00	--20	--00	--20
34:	--01	--00	--01	--00	--01	--00
35:	--00	--00	--00	--00	--00	--00
36:	--00	--00	--00	--00	--00	--00
37:	--00	--00	--00	--00	--00	--00
38:	--00	--00	--00	--00	--00	--00

## B.6 Intel-Specific Extended Query Table

Table 36. Primary Vendor-Specific Extended Query

Offset <sup>(1)</sup> P = 39h	Length	Description (Optional flash features and commands)	Addr.	Hex Code	Value
(P+0)h (P+1)h (P+2)h	3	Primary extended query table Unique ASCII string "PRI"	39: 3A: 3B:	--50 --52 --49	"P" "R" "I"
(P+3)h	1	Major version number, ASCII	3C:	--31	"1"
(P+4)h	1	Minor version number, ASCII	3D:	--33	"3"
(P+5)h (P+6)h (P+7)h (P+8)h	4	Optional feature and command support (1=yes, 0=no) <i>bits 10–31 are reserved; undefined bits are "0." If bit 31 is "1" then another 31 bit field of Optional features follows at the end of the bit–30 field.</i> bit 0 Chip erase supported bit 1 Suspend erase supported bit 2 Suspend program supported bit 3 Legacy lock/unlock supported bit 4 Queued erase supported bit 5 Instant individual block locking supported bit 6 Protection bits supported bit 7 Pagemode read supported bit 8 Synchronous read supported bit 9 Simultaneous operations supported	3E: 3F: 40: 41:	--E6 --03 --00 --00	            bit 0 = 0 No bit 1 = 1 Yes bit 2 = 1 Yes bit 3 = 0 No bit 4 = 0 No bit 5 = 1 Yes bit 6 = 1 Yes bit 7 = 1 Yes bit 8 = 1 Yes bit 9 = 1 Yes
(P+9)h	1	Supported functions after suspend: read Array, Status, Query Other supported operations are: bits 1–7 reserved; undefined bits are "0" bit 0 Program supported after erase suspend	42:  bit 0	--01  = 1	  Yes
(P+A)h (P+B)h	2	Block status register mask <i>bits 2–15 are Reserved; undefined bits are "0"</i> bit 0 Block Lock-Bit Status register active bit 1 Block Lock-Down Bit Status active	43: 44: bit 0 bit 1	--03 --00 = 1 = 1	  Yes Yes
(P+C)h	1	V <sub>CC</sub> logic supply highest performance program/erase voltage bits 0–3 BCD value in 100 mV bits 4–7 BCD value in volts	45:	--18	1.8V
(P+D)h	1	V <sub>PP</sub> optimum program/erase supply voltage bits 0–3 BCD value in 100 mV bits 4–7 HEX value in volts	46:	--C0	12.0V

Table 37. Protection Register Information

Offset <sup>(1)</sup> P=39h	Length	Description (Optional flash features and commands)	Add	Hex Code	Value
(P+E)h	1	Number of Protection register fields in JEDEC ID space "00h" indicates that 256 protection fields are available	47:	--01	1
(P+F)h (P+10)h (P+11)h (P+12)h	4	Protection Field 1: Protection Description This field describes user-available One Time Programmable (OTP) Protection register bytes. Some are preprogrammed with device unique serial numbers. Others are user programmable. Bits 0-15 point to the Protection register Lock bytes, the section's first byte. The following bytes are factory preprogrammed and user-programmable.  bits 0-7 = Lock bytes, Jatec plane physical low address bits 8-15 = Lock bytes, Jatec plane physical high address bits 16-23 = "n" such that 2 <sup>n</sup> = factory preprogrammed bytes bits 24-31 = "n" such that 2 <sup>n</sup> = user programmable bytes	48: 49: 4A: 4B:	--80 --00 --03 --03	80h 00h 8 byte 8 byte

Table 38. Burst Read Information for Non-muxed Device

Offset <sup>(1)</sup> P = 39h	Length	Description (Optional flash features and commands)	Add.	Hex Code	Value
(P+13)h	1	Page Mode Read capability bits 0-7 = "n" such that 2 <sup>n</sup> HEX value represents the number of read-page bytes. See offset 28h for device word width to determine page-mode data output width. 00h indicates no read page buffer.	4C:	--03	8 byte
(P+14)h	1	Number of synchronous mode read configuration fields that follow. 00h indicates no burst capability.	4D:	--04	4
(P+15)h	1	Synchronous mode read capability configuration 1 Bits 3-7 = Reserved bits 0-2 "n" such that 2 <sup>n+1</sup> HEX value represents the maximum number of continuous synchronous reads when the device is configured for its maximum word width. A value of 07h indicates that the device is capable of continuous linear bursts that will output data until the internal burst counter reaches the end of the device's burstable address space. This field's 3-bit value can be written directly to the Read Configuration Register bits 0-2 if the device is configured for its maximum word width. See offset 28h for word width to determine the burst data output width.	4E:	--01	4
(P+16)h	1	Synchronous mode read capability configuration 2	4F:	--02	8
(P+17)h	1	Synchronous mode read capability configuration 3	50:	--03	16
(P+18)h	1	Synchronous mode read capability configuration 4	51:	--07	Cont

Table 39. Partition and Erase-block Region Information

Offset <sup>(1)</sup> P = 39h		Description (Optional flash features and commands)	See table below		
Bottom	Top		Len	Address	
				Bot	Top
(P+19)h	(P+19)h	Number of device hardware-partition regions within the device. x = 0: a single hardware partition device (no fields follow). x specifies the number of device partition regions containing one or more contiguous erase block regions.	1	52:	52:

**Partition Region 1 Information**

Offset <sup>(1)</sup> P = 39h		Description <b>(Optional flash features and commands)</b>	See table below		
Bottom	Top		Len	Address	
				Bot	Top
(P+1A)h	(P+1A)h	Number of identical partitions within the partition region	2	53:	53:
(P+1B)h	(P+1B)h			54:	54:
(P+1C)h	(P+1C)h	Number of program or erase operations allowed in a partition bits 0–3 = number of simultaneous Program operations bits 4–7 = number of simultaneous Erase operations	1	55:	55:
(P+1D)h	(P+1D)h	Simultaneous program or erase operations allowed in other partitions while a partition in this region is in Program mode bits 0–3 = number of simultaneous Program operations bits 4–7 = number of simultaneous Erase operations	1	56:	56:
(P+1E)h	(P+1E)h	Simultaneous program or erase operations allowed in other partitions while a partition in this region is in Erase mode bits 0–3 = number of simultaneous Program operations bits 4–7 = number of simultaneous Erase operations	1	57:	57:
(P+1F)h	(P+1F)h	Types of erase block regions in this Partition Region. x = 0 = no erase blocking; the Partition Region erases in bulk x = number of erase block regions w/ contiguous same-size erase blocks. Symmetrically blocked partitions have one blocking region. Partition size = (Type 1 blocks)x(Type 1 block sizes) + (Type 2 blocks)x(Type 2 block sizes) + ... + (Type n blocks)x(Type n block sizes)	1	58:	58:
(P+20)h	(P+20)h	Partition Region 1 Erase Block Type 1 Information bits 0–15 = y, y+1 = number of identical-size erase blocks bits 16–31 = z, region erase block(s) size are z x 256 bytes	4	59:	59:
(P+21)h	(P+21)h			5A:	5A:
(P+22)h	(P+22)h			5B:	5B:
(P+23)h	(P+23)h			5C:	5C:
(P+24)h	(P+24)h	Partition 1 (Erase Block Type 1) Minimum block erase cycles x 1000	2	5D:	5D:
(P+25)h	(P+25)h			5E:	5E:
(P+26)h	(P+26)h	Partition 1 (erase block Type 1) bits per cell; internal ECC bits 0–3 = bits per cell in erase region bit 4 = reserved for “internal ECC used” (1=yes, 0=no) bits 5–7 = reserve for future use	1	5F:	5F:
(P+27)h	(P+27)h	Partition 1 (erase block Type 1) page mode and synchronous mode capabilities defined in Table 10. bit 0 = page-mode host reads permitted (1=yes, 0=no) bit 1 = synchronous host reads permitted (1=yes, 0=no) bit 2 = synchronous host writes permitted (1=yes, 0=no) bits 3–7 = reserved for future use	1	60:	60:
(P+28)h		Partition Region 1 Erase Block Type 2 Information bits 0–15 = y, y+1 = number of identical-size erase blocks bits 16–31 = z, region erase block(s) size are z x 256 bytes (bottom parameter device only)	4	61:	
(P+29)h				62:	
(P+2A)h				63:	
(P+2B)h				64:	
(P+2C)h		Partition 1 (Erase block Type 2) Minimum block erase cycles x 1000	2	65:	
(P+2D)h				66:	
(P+2E)h		Partition 1 (Erase block Type 2) bits per cell bits 0–3 = bits per cell in erase region bit 4 = reserved for “internal ECC used” (1=yes, 0=no) bits 5–7 = reserve for future use	1	67:	
(P+2F)h		Partition 1 (Erase block Type 2) pagemode and synchronous mode capabilities defined in Table 10 bit 0 = page-mode host reads permitted (1=yes, 0=no) bit 1 = synchronous host reads permitted (1=yes, 0=no) bit 2 = synchronous host writes permitted (1=yes, 0=no) bits 3–7 = reserved for future use	1	68:	

Partition Region 2 Information

Offset <sup>(1)</sup> P = 39h		Description  (Optional flash features and commands)	See table below		
Bottom	Top		Len	Address	
				Bot	Top
(P+30)h (P+31)h	(P+28)h (P+29)h	Number of identical partitions within the partition region	2	69: 6A:	61: 62:
(P+32)h	(P+2A)h	Number of program or erase operations allowed in a partition bits 0–3 = number of simultaneous Program operations bits 4–7 = number of simultaneous Erase operations	1	6B:	63:
(P+33)h	(P+2B)h	Simultaneous program or erase operations allowed in other partitions while a partition in this region is in Program mode bits 0–3 = number of simultaneous Program operations bits 4–7 = number of simultaneous Erase operations	1	6C:	64:
(P+34)h	(P+2C)h	Simultaneous program or erase operations allowed in other partitions while a partition in this region is in Erase mode bits 0–3 = number of simultaneous Program operations bits 4–7 = number of simultaneous Erase operations	1	6D:	65:
(P+35)h	(P+2D)h	Types of erase block regions in this Partition Region. x = 0 = no erase blocking; the Partition Region erases in bulk x = number of erase block regions w/ contiguous same-size erase blocks. Symmetrically blocked partitions have one blocking region. Partition size = (Type 1 blocks)x(Type 1 block sizes) + (Type 2 blocks)x(Type 2 block sizes) + ... + (Type n blocks)x(Type n block sizes)	1	6E:	66:
(P+36)h (P+37)h (P+38)h (P+39)h	(P+2E)h (P+2F)h (P+30)h (P+31)h	Partition Region 2 Erase Block Type 1 Information bits 0–15 = y, y+1 = number of identical-size erase blocks bits 16–31 = z, region erase block(s) size are z x 256 bytes	4	6F: 70: 71: 72:	67: 68: 69: 6A:
(P+3A)h (P+3B)h	(P+32)h (P+33)h	Partition 2 (Erase block Type 1) Minimum block erase cycles x 1000	2	73: 74:	6B: 6C:
(P+3C)h	(P+34)h	Partition 2 (Erase block Type 1) bits per cell bits 0–3 = bits per cell in erase region bit 4 = reserved for "internal ECC used" (1=yes, 0=no) bits 5–7 = reserve for future use	1	75:	6D:
(P+3D)h	(P+35)h	Partition 2 (erase block Type 1) pagemode and synchronous mode capabilities as defined in Table 10. bit 0 = page-mode host reads permitted (1=yes, 0=no) bit 1 = synchronous host reads permitted (1=yes, 0=no) bit 2 = synchronous host writes permitted (1=yes, 0=no) bits 3–7 = reserved for future use	1	76:	6E:
	(P+36)h (P+37)h (P+38)h (P+39)h	Partition Region 2 Erase Block Type 2 Information bits 0–15 = y, y+1 = number of identical-size erase blocks bits 16–31 = z, region erase block(s) size are z x 256 bytes	4		6F: 70: 71: 72:
	(P+3A)h (P+3B)h	Partition 2 (Erase Block Type 2) Minimum block erase cycles x 1000	2		73: 74:
	(P+3C)h	Partition 2 (Erase Block Type 2) bits per cell bits 0–3 = bits per cell in erase region bit 4 = reserved for "internal ECC used" (1=yes, 0=no) bits 5–7 = reserved for future use	1		75:
	(P+3D)h	Partition 2 (Erase block Type 2) pagemode and synchronous mode capabilities as defined in Table 10. bit 0 = page-mode host reads permitted (1=yes, 0=no) bit 1 = synchronous host reads permitted (1=yes, 0=no) bit 2 = synchronous host writes permitted (1=yes, 0=no) bits 3–7 = reserved for future use	1		76:
(P+3E)h	(P+3E)h	Features Space definitions (Reserved for future use)	TBD	77:	77:
(P+3F)h	(P+3F)h	Reserved for future use	Resv'd	78:	78:

**Partition and Erase-block Region Information**

Address	32 Mbit		64Mbit		128Mbit	
	-B	-T	-B	-T	-B	-T
52:	--02	--02	--02	--02	--02	--02
53:	--01	--07	--01	--0F	--01	--1F
54:	--00	--00	--00	--00	--00	--00
55:	--11	--11	--11	--11	--11	--11
56:	--00	--00	--00	--00	--00	--00
57:	--00	--00	--00	--00	--00	--00
58:	--02	--01	--02	--01	--02	--01
59:	--07	--07	--07	--07	--07	--07
5A:	--00	--00	--00	--00	--00	--00
5B:	--20	--00	--20	--00	--20	--00
5C:	--00	--01	--00	--01	--00	--01
5D:	--64	--64	--64	--64	--64	--64
5E:	--00	--00	--00	--00	--00	--00
5F:	--01	--01	--01	--01	--01	--01
60:	--03	--03	--03	--03	--03	--03
61:	--06	--01	--06	--01	--06	--01
62:	--00	--00	--00	--00	--00	--00
63:	--00	--11	--00	--11	--00	--11
64:	--01	--00	--01	--00	--01	--00
65:	--64	--00	--64	--00	--64	--00
66:	--00	--02	--00	--02	--00	--02
67:	--01	--06	--01	--06	--01	--06
68:	--03	--00	--03	--00	--03	--00
69:	--07	--00	--0F	--00	--1F	--00
6A:	--00	--01	--00	--01	--00	--01
6B:	--11	--64	--11	--64	--11	--64
6C:	--00	--00	--00	--00	--00	--00
6D:	--00	--01	--00	--01	--00	--01
6E:	--01	--03	--01	--03	--01	--03
6F:	--07	--07	--07	--07	--07	--07
70:	--00	--00	--00	--00	--00	--00
71:	--00	--20	--00	--20	--00	--20
72:	--01	--00	--01	--00	--01	--00
73:	--64	--64	--64	--64	--64	--64
74:	--00	--00	--00	--00	--00	--00
75:	--01	--01	--01	--01	--01	--01
76:	--03	--03	--03	--03	--03	--03

**NOTES:**

1. The variable P is a pointer which is defined at CFI offset 15h.
2. TPD - Top parameter device; BPD - Bottom parameter device.
3. Partition: Each partition is 4 Mb in size. It can contain main blocks OR a combination of both main and parameter blocks.
4. Partition Region: Symmetrical partitions form a partition region. (there are two partition regions, A. contains all the partitions that are made up of main blocks only. Partition region B. contains the partition that is made up of the parameter and the main blocks.

## Appendix C Ordering Information

Figure 43. VF BGA and μBGA\* Ordering Information

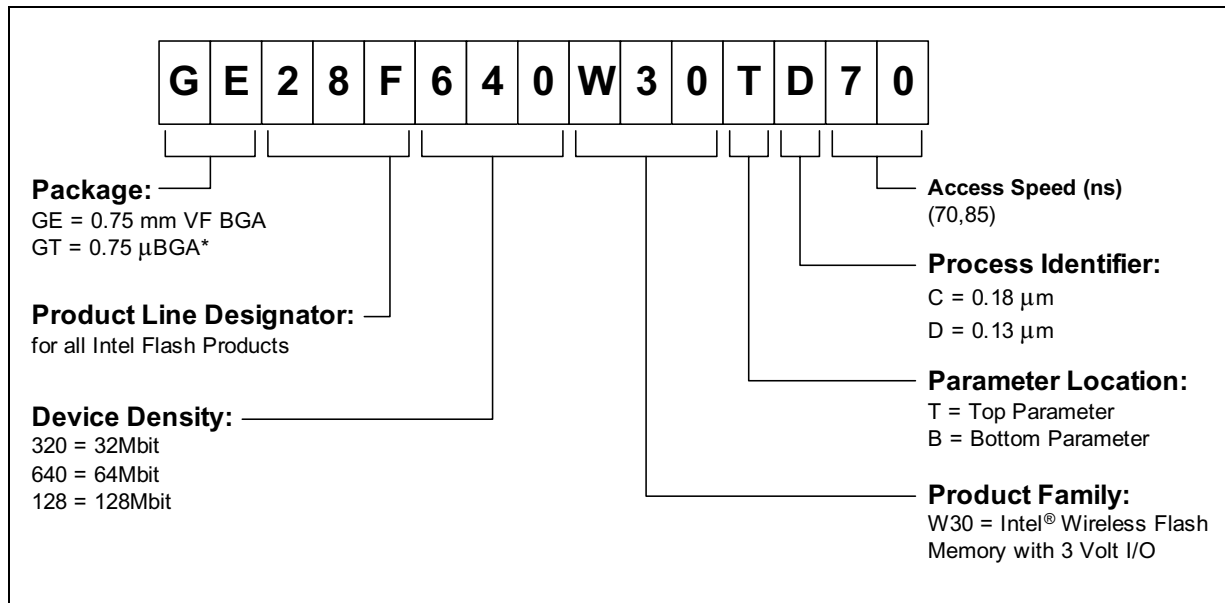


Figure 44. SCSP Ordering Information

