 Good Display	LCD MODULE SPECIFICATIONS	SPEC NO	S
	GTB070WSA-100	REV NO	0

Good Display Specifications

Type: Standard
Model No. GTB070WSA-100
Description: 7 inch TFT LCD

Prepared: Shouyang Zhao
Checked: Dong Wei
Approved: Jinggang Zhao
Issue Date: 10/14/2010



Dalian Good Display Co., Ltd.

No.17 Gonghua Street, Shahekou District, Dalian 116021 China
Tel: +86-411-84619565 Fax: +86-411-84619585
E-mail: sales@good-lcd.com.cn
Website: www.good-lcd.com

Dalian Good Display Co., Ltd.



PRODUCT GROUP

REV

ISSUE DATE

TFT LCD PRODUCT

O

2010.10.14.

Contents

No.	Items	Page
1.0	General Description	4
2.0	Absolute Maximum ratings	6
3.0	Electrical specifications.	7
4.0	Optical specifications.	9
5.0	Interface Connection	13
6.0	Signal Timing Specification	16
7.0	Signal Timing waveforms	18
8.0	Input Signals, Display Colors & Gray Scale of Colors	19
9.0	Power Sequence	20
10.0	Connector description	21
11.0	Mechanical Characteristics	22
12.0	Reliability Test	23
13.0	Handling & Cautions.	23
14.0	Mechanical Outline Dimension	25

SPEC. NUMBER
SSPEC TITLE
GTB070WSA-100 Product SpecificationPAGE
3 OF 26



PRODUCT GROUP

REV

ISSUE DATE

TFT LCD PRODUCT

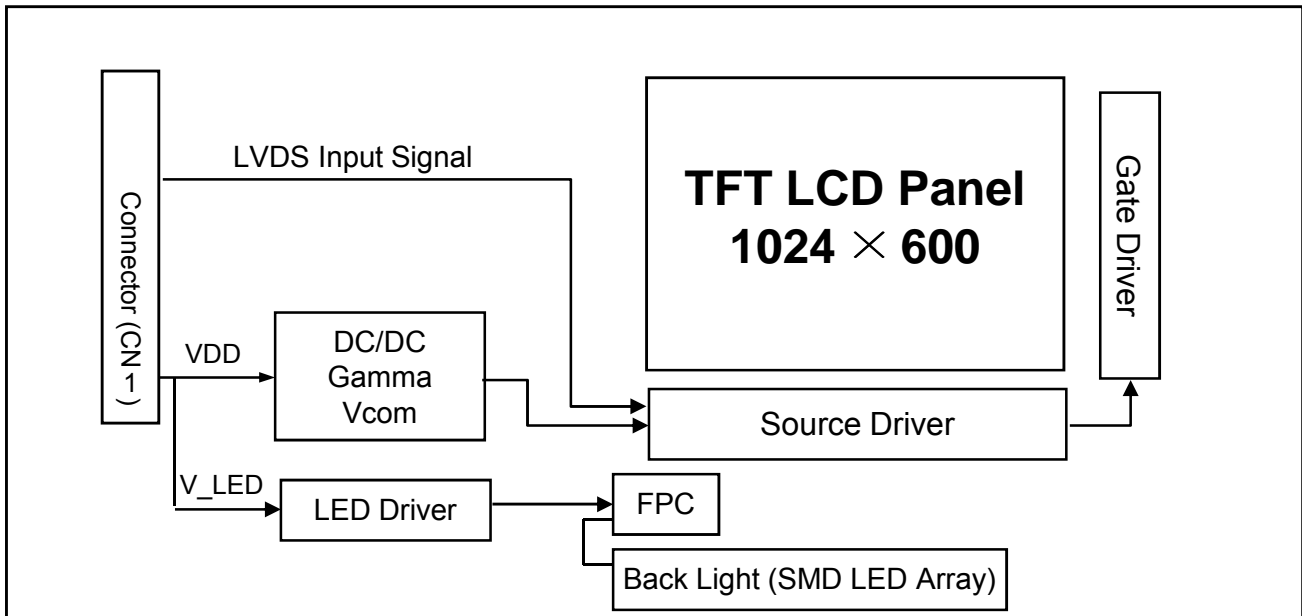
O

2010.10.14.

1.0 GENERAL DESCRIPTION

1.1 Introduction

GTB070WSA-100 is a color active matrix TFT LCD module using amorphous silicon TFT's (Thin Film Transistors) as an active switching devices. This module has a 7.01 inch diagonally measured active area with WSVGA resolutions (1024 horizontal by 600 vertical pixel array). Each pixel is divided into RED, GREEN, BLUE dots which are arranged in vertical stripe and this module can display 16.7M colors. The TFT-LCD panel used for this module is adapted for a low reflection and higher color type.



1.2 Features

- 1 Channel LVDS Interface with 1 pixel / clock
- Thin and light weight
- Display 16.7M colors (Hi FRC)
- High luminance and contrast ratio, low reflection and wide viewing angle
- DE (Data Enable) signal mode
- 3.7V for Logic Power and LED Back Light Power
- RoHS Compliant

SPEC. NUMBER
S

SPEC TITLE
GTB070WSA-100 Product Specification

PAGE
4 OF 26



PRODUCT GROUP

REV

ISSUE DATE

TFT LCD PRODUCT

O

2010.10.14.

1.3 Application

- Tablet & Application Mini-PC (Wide Type)

1.4 General Specification

< Table 1. General Specifications >

Parameter	Specification	Unit	Remarks
Active area	153.6(H) × 90(V)	mm	
Number of pixels	1024(H) × 600(V)	pixels	
Pixel pitch	50(H) × 150(V) × RGB	μm	
Pixel arrangement	Pixels RGB stripe arrangement		
Display colors	16.7M(6bits + H-FRC)	colors	
Display mode	Transmission mode, Normally Black		
Outline Dimension	164.05(H) × 100.86(V) × 2.35(D) typ.	mm	
Weight	90 (max)	gram	
Surface Treatment	Hard Coating, 3H, Low Reflection (Front Polarizer)		
Back-light	Bottom edge side, 1-LED Lighting Bar Type		20* LED Array

SPEC. NUMBER
SSPEC TITLE
GTB070WSA-100 Product SpecificationPAGE
5 OF 26



PRODUCT GROUP

REV

ISSUE DATE

TFT LCD PRODUCT

O

2010.10.14.

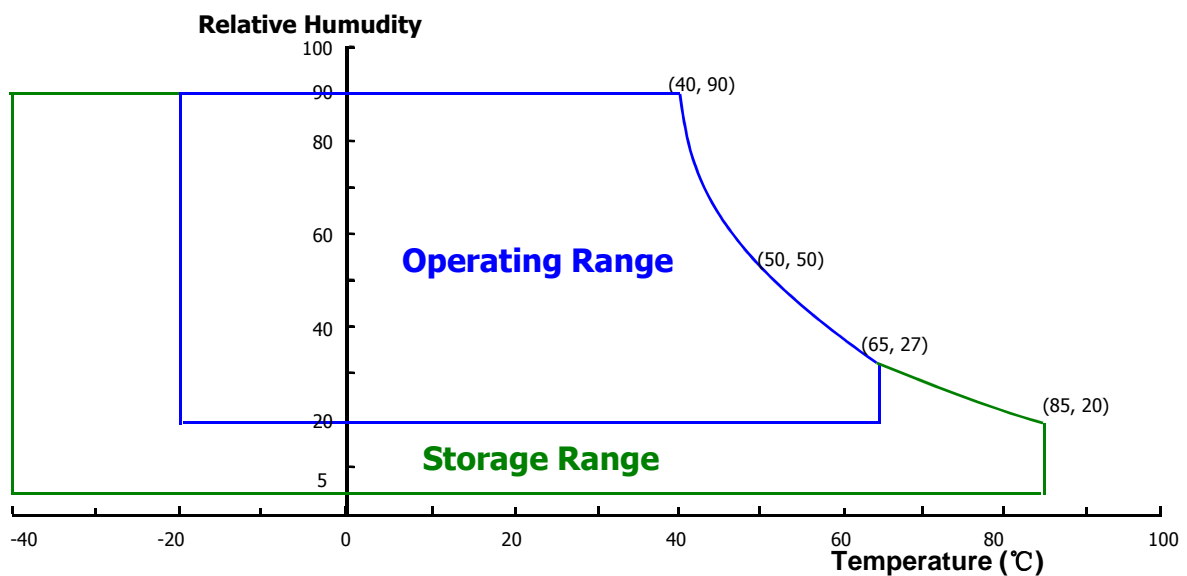
2.0 ABSOLUTE MAXIMUM RATINGS

The followings are maximum values which, if exceed, may cause faulty operation or damage to the unit. The operational and non-operational maximum voltage and current values are listed in Table 2.

< Table 2. LCD Module Electrical Specifications > [Ta =25 ± 2 °C]

Parameter	Symbol	Min.	Max.	Unit	Remarks
Power Supply Voltage (LCD Module)	V _{DD}	-0.3	4	V	
Back-light Power Supply Voltage	HV _{DD}	-0.3	40	V	
Back-light LED Current	I _{LED}	-	443	mA	
Back-light LED Reverse Voltage	V _R	-	2	V	
Operating Temperature	T _{OP}	-20	+65	°C	1)
Storage Temperature	T _{ST}	-40	+85	°C	

Note : 1) Temperature and relative humidity range are shown in the figure below.
Wet bulb temperature should be 39 °C max. and no condensation of water.



SPEC. NUMBER
S

SPEC TITLE
GTB070WSA-100 Product Specification

PAGE
6 OF 26



PRODUCT GROUP

REV

ISSUE DATE

TFT LCD PRODUCT

O

2010.10.14.

3.0 ELECTRICAL SPECIFICATIONS

3.1 TFT LCD Module

< Table 3. LCD Module Electrical Specifications >

[Ta =25±2 °C]

Parameter	Symbol	Values			Unit	Notes
		Min	Typ	Max		
Power Supply Input Voltage	V _{DD}	3.2	3.7	4.2	V	Note 1
Power Supply Current	I _{DD}	-	220	-	mA	
Back-light Power Supply Voltage	H _{VDD}	3.2	3.7	4.2	V	Note 2
Back-light Power Supply Current	I _{HVDD}	-	346	-	mA	
LED Driver Efficiency	η	-	82	-	%	
Positive-going Input Threshold Voltage	V _{IT+}	-	-	+100	mV	V _{com} = 1.2V typ.
Negative-going Input Threshold Voltage	V _{IT-}	-100	-	-	mV	
Differential input common mode voltage	V _{com}	-	1.2	-	V	V _{IH} =100mV, V _{IL} =-100mV
Power Consumption	P _D	-	0.78		W	Note 1
	P _{BL}		1.54		W	Note 2
	P _{Total}		2.32		W	

- Notes :
1. The supply voltage is measured and specified at the interface connector of LCM.
The current draw and power consumption specified is for 3.7V at 25 °C
Max value at White Pattern
 2. Calculated value for reference (VLED X ILED)
 3. CTF of Power Supply Current: PD /PBL

SPEC. NUMBER
SSPEC TITLE
GTB070WSA-100 Product SpecificationPAGE
7 OF 26



PRODUCT GROUP

REV

ISSUE DATE

TFT LCD PRODUCT

O

2010.10.14.

3.2 Back-light Unit

< Table 4. LED Driving guideline specifications >

Ta=25+/-2°C

Parameter		Min.	Typ.	Max.	Unit	Remarks
LED Forward Voltage	V _F	-	3.15	3.4	V	-
LED Forward Current	I _F	-	18.8	20	mA	-
LED Power Consumption	P _{LED}	-	1.54	1.64	W	Note 1
LED Life-Time	N/A	15,000			Hour	IF = 20mA Note 2
Power supply voltage for LED Driver	V _{LED}	3.2	3.7	4.2	V	
EN Control Level	Backlight on	-	-	+100	mV	
	Backlight off	-100	-	-	mV	
PWM Control Level	PWM High Level	-	2.8	-	V	
	PWM Low Level	-	0	0.6	V	
PWM Control Frequency	F _{PWM}	5	-	100	KHz	
Duty Ratio	-	90%	93%	-	%	

Notes : 1. Calculator Value for reference $I_{LED} \times V_{LED} = P_{LED}$

2. The LED Life-time define as the estimated time to 50% degradation of initial luminous.

SPEC. NUMBER
S

SPEC TITLE
GTB070WSA-100 Product Specification

PAGE
8 OF 26



PRODUCT GROUP

REV

ISSUE DATE

TFT LCD PRODUCT

O

2010.10.14.

4.0 OPTICAL SPECIFICATION

4.1 Overview

The test of view angle range shall be measured in a dark room (ambient luminance \leq 1lux and temperature = $25\pm 2^\circ\text{C}$) with the equipment of Luminance meter system (Goniometer system and TOPCON BM-5A) and test unit shall be located at an approximate distance 50cm from the LCD surface at a viewing angle of θ and Φ equal to 0° . We refer to $\theta\Phi=0$ ($=\theta_3$) as the 3 o'clock direction (the "right"), $\theta\Phi=90$ ($=\theta_{12}$) as the 12 o'clock direction ("upward"), $\theta\Phi=180$ ($=\theta_9$) as the 9 o'clock direction ("left") and $\theta\Phi=270$ ($=\theta_6$) as the 6 o'clock direction ("bottom"). While scanning θ and/or Φ , the center of the measuring spot on the Display surface shall stay fixed. The luminance, color and uniformity should be tested by CA210. The backlight should be operating for 30 minutes prior to measurement. VDD shall be $3.7 \pm 0.5\text{V}$ at 25°C . Optimum viewing angle direction is 6 o'clock.

4.2 Optical Specifications

<Table 5. Optical Specifications>

Parameter		Symbol	Condition	Min.	Typ.	Max.	Unit	Remark
Viewing Angle range	Horizontal	Θ_3	CR > 10	70	80	-	Deg.	Note 1
		Θ_9		70	80	-	Deg.	
	Vertical	Θ_{12}		70	80	-	Deg.	
		Θ_6		70	80	-	Deg.	
Color Gamut				46.7	51.7	-	%	
Luminance Contrast ratio		CR	$\Theta = 0^\circ$	700	900			Note 2
Luminance of White	5 Points	Y_w	$\Theta = 0^\circ$	340	400	-	cd/m ²	Note 3
White Luminance uniformity	5 Points	$\Delta Y5$		80	90	-		Note 4
White balance		Color Temp	$\Theta = 0^\circ$	6000	7000	8000	K	Note 5
		Δuv		0	0.01	0.02		
Reproduction of color	Red	R_x	$\Theta = 0^\circ$	Typ. -0.03	0.600	Typ. +0.03		
		R_y			0.340			
	Green	G_x			0.315			
		G_y			0.565			
	Blue	B_x			0.145			
		B_y			0.125			
Response Time (Rising + Falling)		T_{RT}	Ta= 25°C $\Theta = 0^\circ$	-	30	-	ms	Note 6
Cross Talk		CT	$\Theta = 0^\circ$	-	-	2.0	%	Note 7

SPEC. NUMBER
S

SPEC TITLE
GTB070WSA-100 Product Specification

PAGE
9 OF 26



PRODUCT GROUP

REV

ISSUE DATE

TFT LCD PRODUCT

O

2010.10.14.

Notes : 1. Viewing angle is the angle at which the contrast ratio is greater than 10. The viewing angles are determined for the horizontal or 3, 9 o'clock direction and the vertical or 6, 12 o'clock direction with respect to the optical axis which is normal to the LCD surface (see FIGURE 1).

2. Contrast measurements shall be made at viewing angle of $\Theta = 0$ and at the center of the LCD surface. Luminance shall be measured with all pixels in the view field set first to white, then to the dark (black) state. (see FIGURE 1) Luminance Contrast Ratio (CR) is defined mathematically.

$$CR = \frac{\text{Luminance when displaying a white raster}}{\text{Luminance when displaying a black raster}}$$

3. Center Luminance of white is defined as luminance values of 5point average across the LCD surface. Luminance shall be measured with all pixels in the view field set first to white. This measurement shall be taken at the locations shown in FIGURE 2 for a total of the measurements per display. The luminance is measured by CA210 when the LED current is set at 18.8mA.
4. The White luminance uniformity on LCD surface is then expressed as : $\Delta Y = \text{Minimum Luminance of 5 points} / \text{Maximum Luminance of 5 points}$ (see FIGURE 2).
5. The color chromaticity coordinates specified in Table 5 shall be calculated from the spectral data measured with all pixels first in red, green, blue and white. Measurements shall be made at the center of the panel.
6. The electro-optical response time measurements shall be made as FIGURE 3 by switching the "data" input signal ON and OFF. The times needed for the luminance to change from 10% to 90% is T_r , and 90% to 10% is T_d .
7. Cross-Talk of one area of the LCD surface by another shall be measured by comparing the luminance (Y_A) of a 25mm diameter area, with all display pixels set to a gray level, to the luminance (Y_B) of that same area when any adjacent area is driven dark. (See FIGURE 4).

SPEC. NUMBER

S

SPEC TITLE

GTB070WSA-100 Product Specification

PAGE

10 OF 26



PRODUCT GROUP

REV

ISSUE DATE

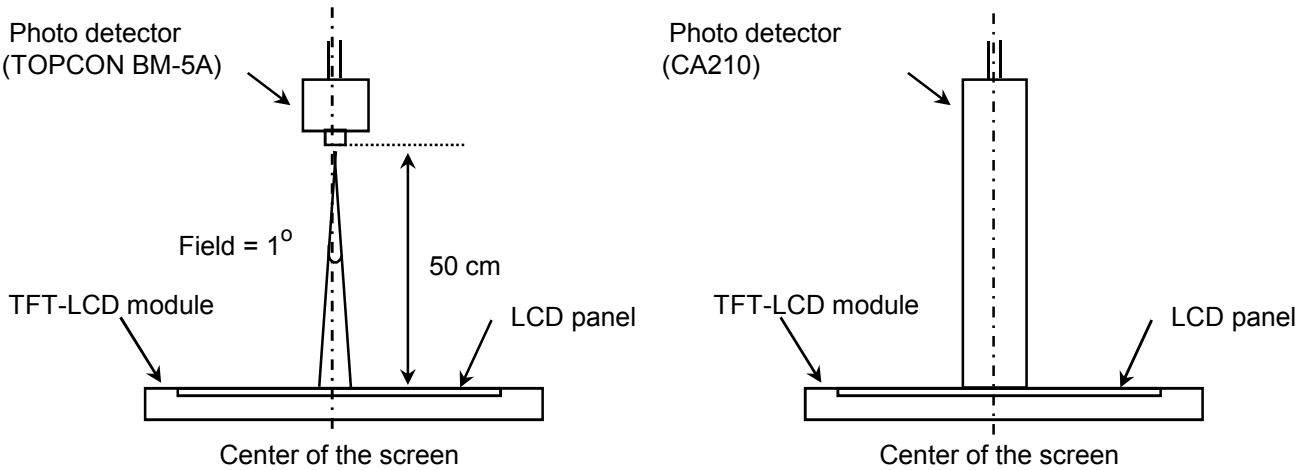
TFT LCD PRODUCT

O

2010.10.14.

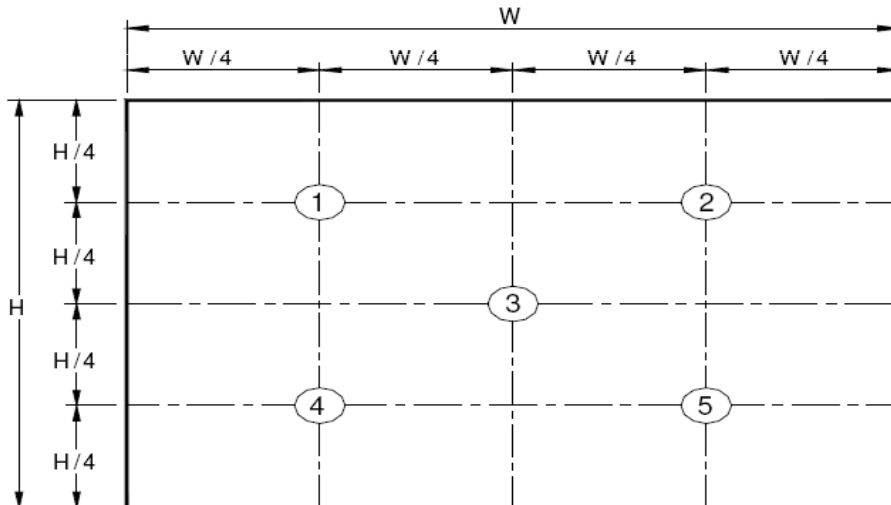
4.3 Optical measurements

Figure 1. Measurement Set Up



View angle measurement setup Luminance , uniformity and color measurement setup

Figure 2. White Luminance and Uniformity Measurement Locations (9 points)



Center Luminance of white is defined as luminance values of center 5 points across the LCD surface. Luminance shall be measured with all pixels in the view field set first to white. This measurement shall be taken at the locations shown in FIGURE 2 for a total of the measurements per display.

The White luminance uniformity on LCD surface is then expressed as : $\Delta Y5 = \text{Minimum Luminance of 5 points} / \text{Maximum Luminance of 5 points}$ (see FIGURE 2).

SPEC. NUMBER
S

SPEC TITLE
GTB070WSA-100 Product Specification

PAGE
11 OF 26



PRODUCT GROUP

REV

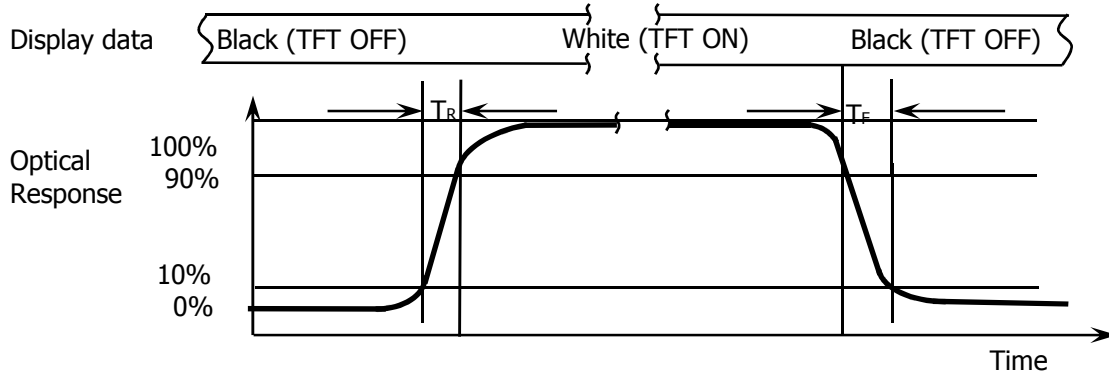
ISSUE DATE

TFT LCD PRODUCT

O

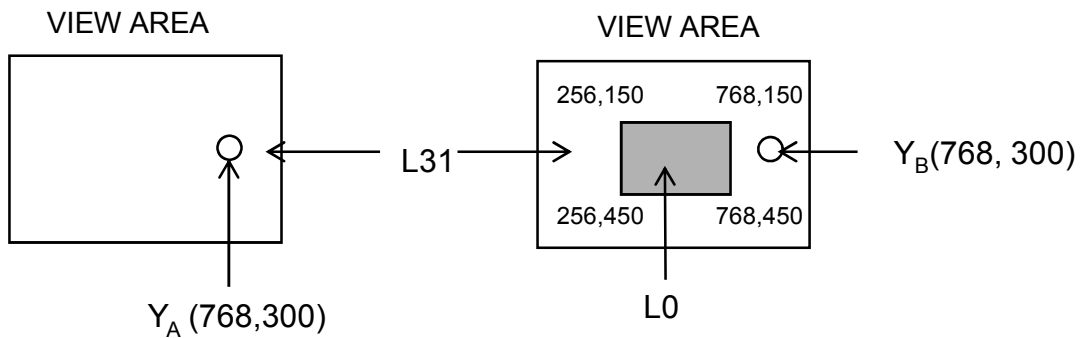
2010.10.14.

Figure 3. Response Time Testing



The electro-optical response time measurements shall be made as shown in FIGURE 3 by switching the “data” input signal ON and OFF. The times needed for the luminance to change from 10% to 90% is Tr and 90% to 10% is Td.

Figure 4. Cross Modulation Test Description



$$\text{Cross-Talk (\%)} = \left| \frac{Y_B - Y_A}{Y_A} \right| \times 100$$

Where:

Y_A = Initial luminance of measured area (cd/m²)

Y_B = Subsequent luminance of measured area (cd/m²)

The location measured will be exactly the same in both patterns

Cross-Talk of one area of the LCD surface by another shall be measured by comparing the luminance (Y_A) of a 25mm diameter area, with all display pixels set to a gray level, to the luminance (Y_B) of that same area when any adjacent area is driven dark (Refer to FIGURE 4).

SPEC. NUMBER
S

SPEC TITLE
GTB070WSA-100 Product Specification

PAGE
12 OF 26



PRODUCT GROUP

REV

ISSUE DATE

TFT LCD PRODUCT

O

2010.10.14.

5.0 INTERFACE CONNECTION.

5.1 Electrical Interface Connection

The electronics interface connector is FF12-31A-R11B.

The connector interface pin assignments are listed in Table 6.

<Table 6. Pin Assignments for the Interface Connector>

Terminal	Symbol	Functions
Pin No.	Symbol	Description
1	VDDIN	Power supply VDDIN=3.7V (Typ.)
2	VDDIN	
3	VDDIN	
4	VDDIN	
5	VDDIN	
6	VDDIN	
7	VDDIN	
8	NC	Non Connection
9	NC	Non Connection
10	LDO_EN	LDO enable for driver IC
11	GND	GROUND
12	GND	GROUND
13	RIN0-	LVDS Negative data signal (-)
14	RIN0+	LVDS Positive data signal (+)
15	GND	GROUND
16	RIN1-	LVDS Negative data signal (-)
17	RIN1+	LVDS Positive data signal (+)
18	GND	GROUND
19	RIN2-	LVDS Negative data signal (-)
20	RIN2+	LVDS Positive data signal (+)
21	GND	GROUND
22	LVDS_CLK-	LVDS Negative CLK signal (-)
23	LVDS_CLK+	LVDS Positive CLK signal (+)
24	GND	GROUND
25	RIN3-	LVDS Negative data signal (-)
26	RIN3+	LVDS Positive data signal (+)
27	GND	GROUND
28	LED_EN	LED enable
29	GND	GROUND
30	DVDD	3.3V Power
31	GND	GROUND

SPEC. NUMBER

S

SPEC TITLE

GTB070WSA-100 Product Specification

PAGE

13 OF 26



PRODUCT GROUP

REV

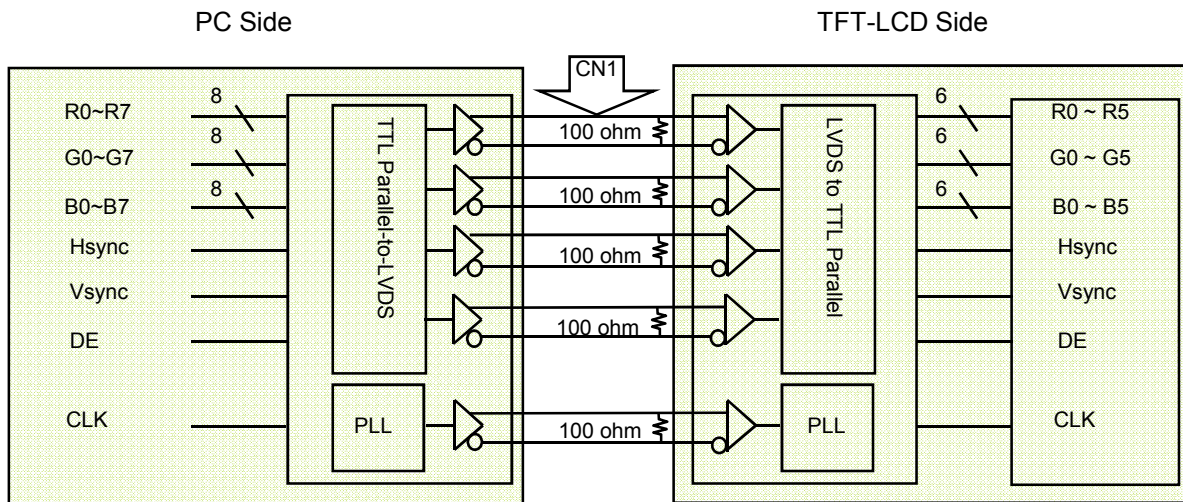
ISSUE DATE

TFT LCD PRODUCT

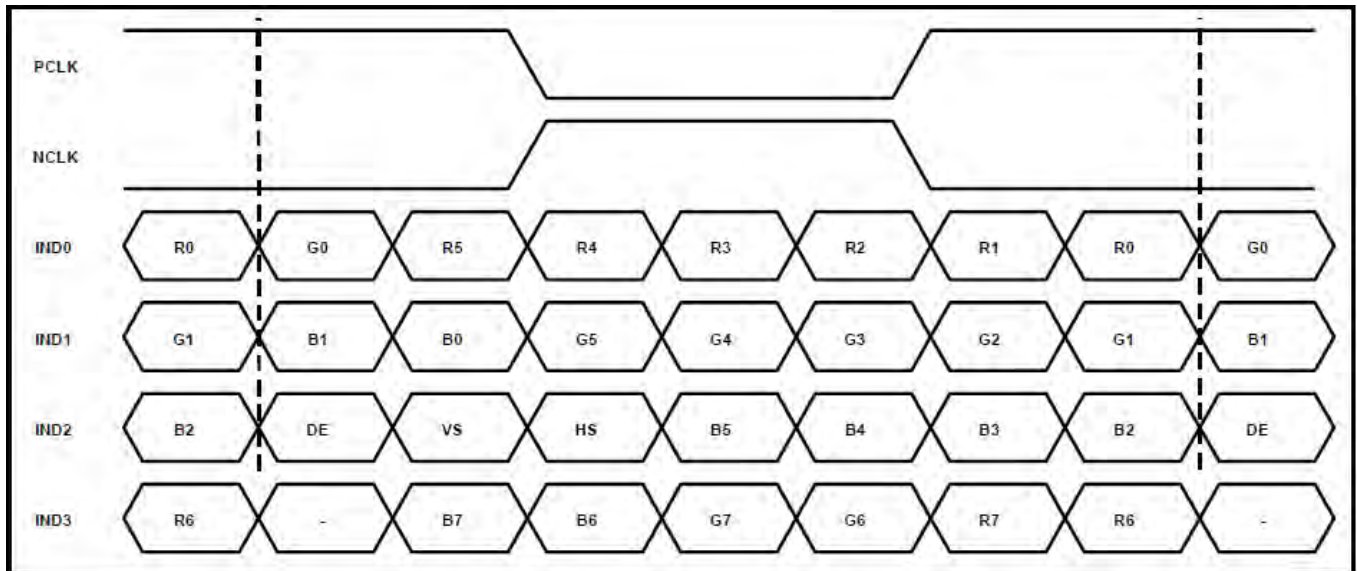
O

2010.10.14.

5-2. LVDS Interface



5.3. LVDS Input signal



SPEC. NUMBER
S

SPEC TITLE
GTB070WSA-100 Product Specification

PAGE
14 OF 26



PRODUCT GROUP

REV

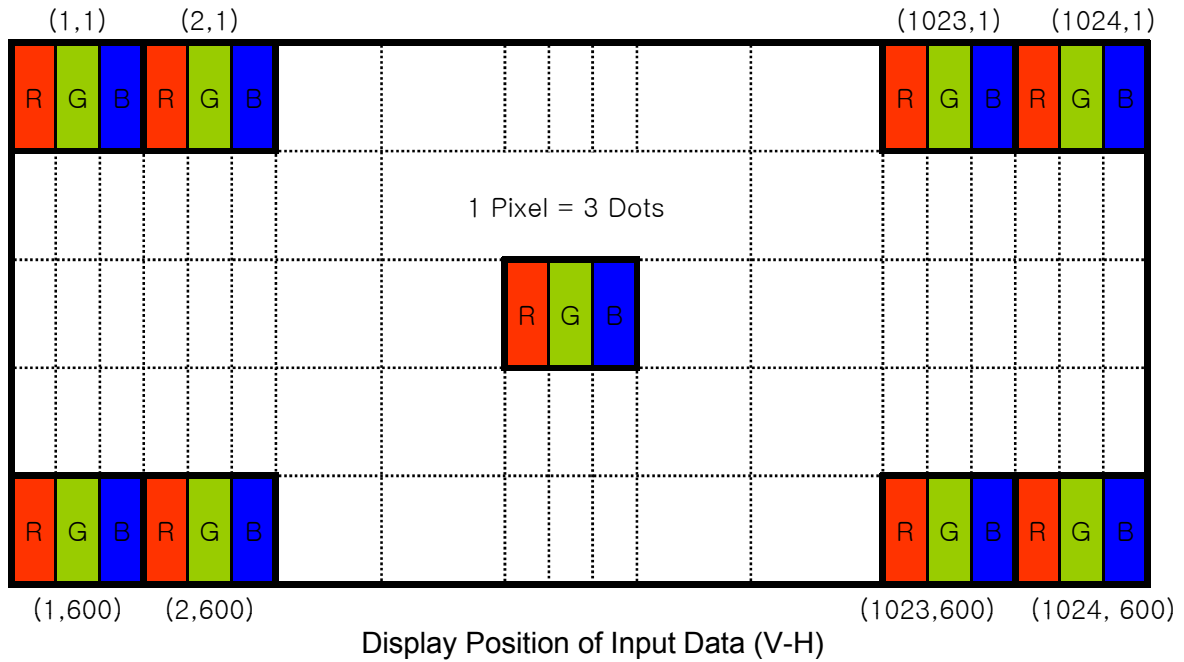
ISSUE DATE

TFT LCD PRODUCT

O

2010.10.14.

5.4 Data Input Format



SPEC. NUMBER
S

SPEC TITLE
GTB070WSA-100 Product Specification

PAGE
15 OF 26



PRODUCT GROUP

REV

ISSUE DATE

TFT LCD PRODUCT

O

2010.10.14.

6.0 SIGNAL TIMING SPECIFICATION

6.1 The GTB070WSA-100 is operated by the DE only.

Item		Symbols	Min	Typ	Max	Unit
Clock	Frequency	1/Tc	40.8	51.2	67.2	MHz
	High Time	Tch	40%	50%	60%	Tc
	Low Time	Tcl	60%	50%	40%	Tc
Frame Period		Tv	610	635	800	lines
			60	60	60	Hz
			16.6	16.6	16.6	ms
Vertical Display Period		Tvd	600	600	600	lines
One line Scanning Period		Th	1114	1344	1400	clocks
Horizontal Display Period		Thd	1024	1024	1024	clocks

SPEC. NUMBER
SSPEC TITLE
GTB070WSA-100 Product SpecificationPAGE
16 OF 26



PRODUCT GROUP

REV

ISSUE DATE

TFT LCD PRODUCT

O

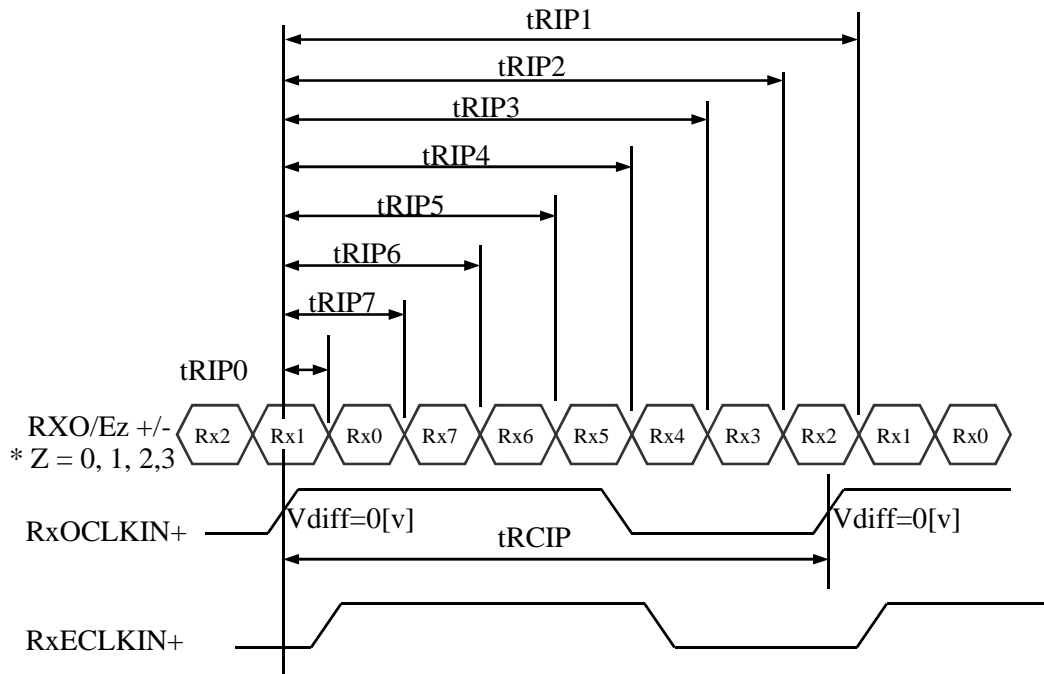
2010.10.14.

6.2 LVDS Rx Interface Timing Parameter

The specification of the LVDS Rx interface timing parameter is shown in Table 8.

<Table 8. LVDS Rx Interface Timing Specification>

Item	Symbol	Min	Typ	Max	Unit	Remark
CLKIN Period	tRCIP	14.88	19.53	24.51	nsec	
Input Data 0	tRIP1	-0.4	0.0	+0.4	nsec	
Input Data 1	tRIP0	tRCIP/7-0.4	tRCIP/7	tRCIP/7+0.4	nsec	
Input Data 2	tRIP7	2 × tRCIP/7-0.4	2 × tRCIP/7	2 × tRCIP/7+0.4	nsec	
Input Data 3	tRIP6	3 × tRCIP/7-0.4	3 × tRCIP/7	3 × tRCIP/7+0.4	nsec	
Input Data 4	tRIP5	4 × tRCIP/7-0.4	4 × tRCIP/7	4 × tRCIP/7+0.4	nsec	
Input Data 5	tRIP4	5 × tRCIP/7-0.4	5 × tRCIP/7	5 × tRCIP/7+0.4	nsec	
Input Data 6	tRIP3	6 × tRCIP/7-0.4	6 × tRCIP/7	6 × tRCIP/7+0.4	nsec	
Input Data 7	tRIP2	7 × tRCIP/7-0.4	7 × tRCIP/7	7 × tRCIP/7+0.4	nsec	



$$* V_{diff} = (RXO/Ez+) - (RXO/Ez-), \dots, (RXO/ECLK+) - (RXO/ECLK-)$$

SPEC. NUMBER
S

SPEC TITLE
GTB070WSA-100 Product Specification

PAGE
17 OF 26



PRODUCT GROUP

REV

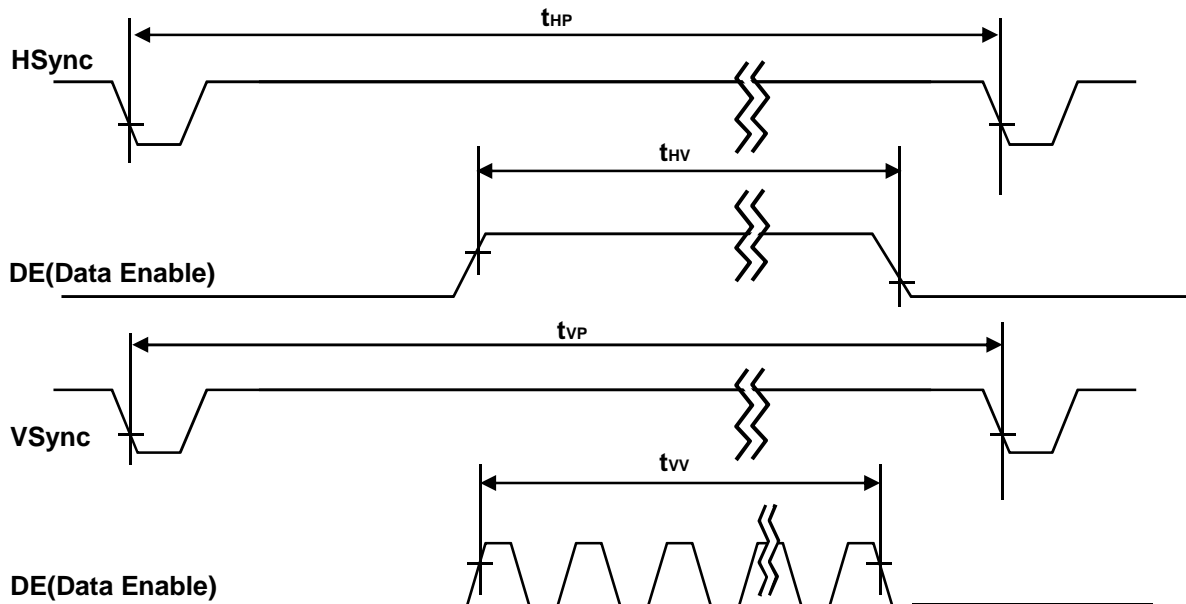
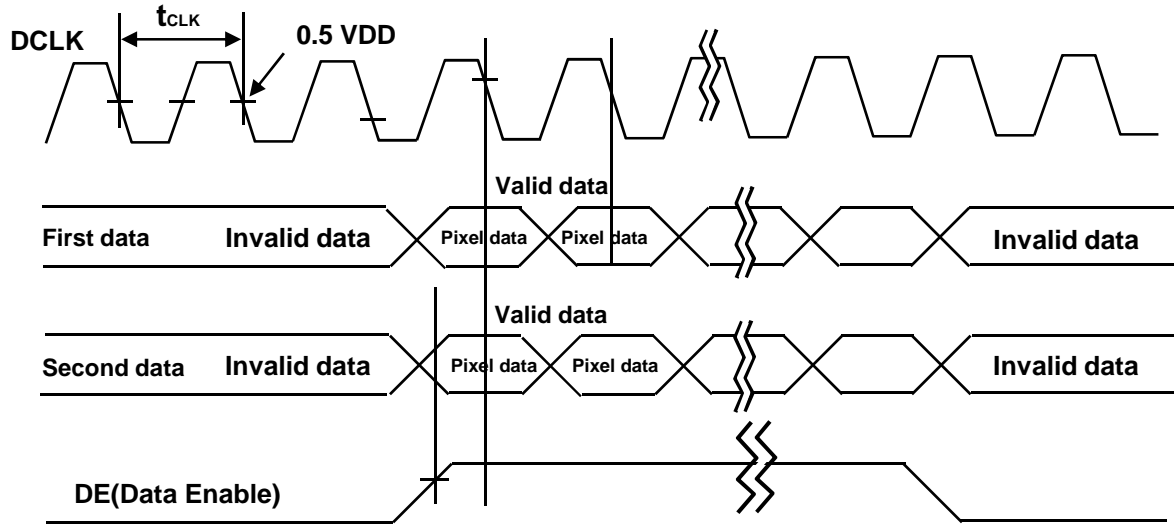
ISSUE DATE

TFT LCD PRODUCT

O

2010.10.14.

7.0 SIGNAL TIMING WAVEFORMS OF INTERFACE SIGNAL



SPEC. NUMBER
S

SPEC TITLE
GTB070WSA-100 Product Specification

PAGE
18 OF 26



PRODUCT GROUP

REV

ISSUE DATE

TFT LCD PRODUCT

O

2010.10.14.

8.0 INPUT SIGNALS, BASIC DISPLAY COLORS & GRAY SCALE OF COLORS

Color & Gray Scale		Input Data Signal																							
		Red Data								Green Data								Blue Data							
		R7	R6	R5	R4	R3	R2	R1	R0	G7	G6	G5	G4	G3	G2	G1	G0	B7	B6	B5	B4	B3	B2	B1	B0
Basic Colors	Black	0	0	0	0	0	0	0	0	0	0	0	0	0	0	0	0	0	0	0	0	0	0	0	0
	Blue	0	0	0	0	0	0	0	0	0	0	0	0	0	0	0	0	1	1	1	1	1	1	1	1
	Green	0	0	0	0	0	0	0	0	1	1	1	1	1	1	1	1	0	0	0	0	0	0	0	0
	Cyan	0	0	0	0	0	0	0	0	1	1	1	1	1	1	1	1	1	1	1	1	1	1	1	1
	Red	1	1	1	1	1	1	1	1	0	0	0	0	0	0	0	0	0	0	0	0	0	0	0	0
	Magenta	1	1	1	1	1	1	1	1	0	0	0	0	0	0	0	0	1	1	1	1	1	1	1	1
	Yellow	1	1	1	1	1	1	1	1	1	1	1	1	1	1	1	1	0	0	0	0	0	0	0	0
	White	1	1	1	1	1	1	1	1	1	1	1	1	1	1	1	1	1	1	1	1	1	1	1	1
Gray Scale of Red	Black	0	0	0	0	0	0	0	0	0	0	0	0	0	0	0	0	0	0	0	0	0	0	0	
	△	0	0	0	0	0	0	0	1	0	0	0	0	0	0	0	0	0	0	0	0	0	0	0	
	Darker	0	0	0	0	0	0	1	0	0	0	0	0	0	0	0	0	0	0	0	0	0	0	0	
	△	↑								↑								↑							
	▽	↓								↓								↓							
	Brighter	1	1	1	1	1	1	0	1	0	0	0	0	0	0	0	0	0	0	0	0	0	0	0	0
	▽	1	1	1	1	1	1	1	0	0	0	0	0	0	0	0	0	0	0	0	0	0	0	0	0
	Red	1	1	1	1	1	1	1	1	0	0	0	0	0	0	0	0	0	0	0	0	0	0	0	0
Gray Scale of Green	Black	0	0	0	0	0	0	0	0	0	0	0	0	0	0	0	0	0	0	0	0	0	0	0	
	△	0	0	0	0	0	0	0	0	0	0	0	0	0	0	0	1	0	0	0	0	0	0	0	
	Darker	0	0	0	0	0	0	0	0	0	0	0	0	0	0	1	0	0	0	0	0	0	0	0	
	△	↑								↑								↑							
	▽	↓								↓								↓							
	Brighter	0	0	0	0	0	0	0	0	1	1	1	1	1	1	0	1	0	0	0	0	0	0	0	0
	▽	0	0	0	0	0	0	0	0	1	1	1	1	1	1	0	0	0	0	0	0	0	0	0	0
	Green	0	0	0	0	0	0	0	0	1	1	1	1	1	1	1	1	0	0	0	0	0	0	0	0
Gray Scale of Blue	Black	0	0	0	0	0	0	0	0	0	0	0	0	0	0	0	0	0	0	0	0	0	0	0	
	△	0	0	0	0	0	0	0	0	0	0	0	0	0	0	0	0	0	0	0	0	0	0	1	
	Darker	0	0	0	0	0	0	0	0	0	0	0	0	0	0	0	0	0	0	0	0	0	0	1	
	△	↑								↑								↑							
	▽	↓								↓								↓							
	Brighter	0	0	0	0	0	0	0	0	0	0	0	0	0	0	0	1	1	1	1	1	1	1	0	1
	▽	0	0	0	0	0	0	0	0	0	0	0	0	0	0	0	1	1	1	1	1	1	1	1	0
	Blue	0	0	0	0	0	0	0	0	0	0	0	0	0	0	0	1	1	1	1	1	1	1	1	1
Gray Scale of White	Black	0	0	0	0	0	0	0	0	0	0	0	0	0	0	0	0	0	0	0	0	0	0	0	
	△	0	0	0	0	0	0	0	1	0	0	0	0	0	0	0	1	0	0	0	0	0	0	1	
	Darker	0	0	0	0	0	0	1	0	0	0	0	0	0	0	1	0	0	0	0	0	0	0	1	
	△	↑								↑								↑							
	▽	↓								↓								↓							
	Brighter	1	1	1	1	1	1	0	1	1	1	1	1	1	1	0	1	1	1	1	1	1	1	0	1
	▽	1	1	1	1	1	1	1	0	1	1	1	1	1	1	0	1	1	1	1	1	1	1	1	0
	White	1	1	1	1	1	1	1	1	1	1	1	1	1	1	1	1	1	1	1	1	1	1	1	1

SPEC. NUMBER
S

SPEC TITLE
GTB070WSA-100 Product Specification

PAGE
19 OF 26



PRODUCT GROUP

REV

ISSUE DATE

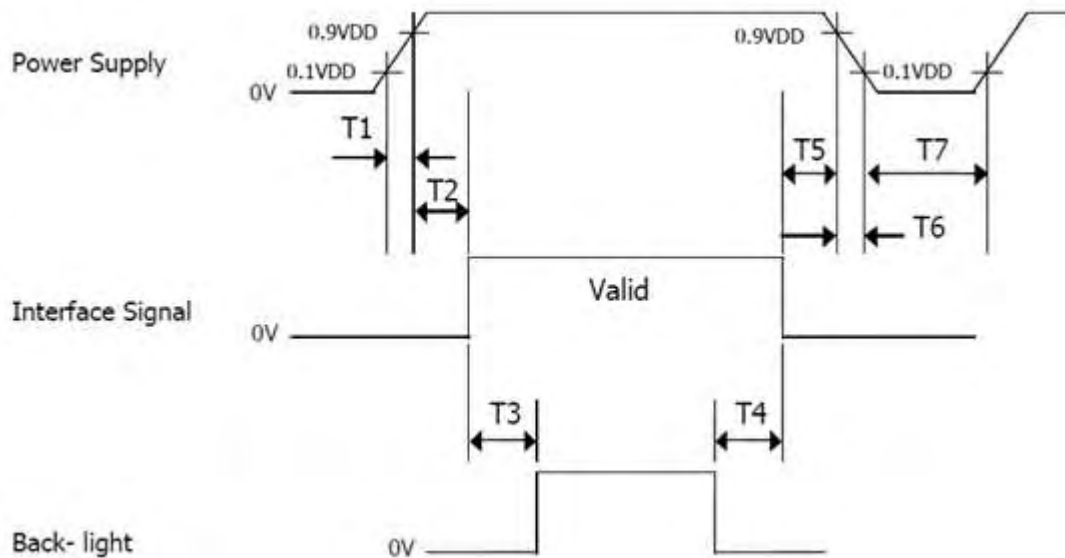
TFT LCD PRODUCT

O

2010.10.14.

9.0 POWER SEQUENCE

To prevent a latch-up or DC operation of the LCD module, the power on/off sequence shall be as shown in below



Parameter	Values			Units
	Min	Typ	Max	
T1	0.5	-	10	ms
T2	0	-	50	ms
T3	200	-	-	ms
T4	200	-	-	ms
T5	0.5	-	50	ms
T6	0	-	10	ms
T7	500	-	-	ms

Notes:

1. When the power supply VDD is 0V, keep the level of input signals on the low or keep high impedance.
2. Do not keep the interface signal high impedance when power is on. Back Light must be turn on after power for logic and interface signal are valid.

SPEC. NUMBER
S

SPEC TITLE
GTB070WSA-100 Product Specification

PAGE
20 OF 26



PRODUCT GROUP

REV

ISSUE DATE

TFT LCD PRODUCT

O

2010.10.14.

10.0 Connector Description

Physical interface is described as for the connector on LCM.

These connectors are capable of accommodating the following signals and will be following components.

10.1 TFT LCD Module

Connector Name /Description	For Signal Connector
Manufacturer	DDK or Compatible
Type/ Part Number	FF12-31A-R11B or Compatible

10.2 LED Connector

Pin No.	Symbol	For Signal Connector
1	VLEDP	LED Anode Power Supply
2	VLEDN1	LED Cathode Power Supply
3	VLEDN2	
4	VLEDN3	
5	VLEDN4	

SPEC. NUMBER
SSPEC TITLE
GTB070WSA-100 Product SpecificationPAGE
21 OF 26



PRODUCT GROUP

REV

ISSUE DATE

TFT LCD PRODUCT

O

2010.10.14.

11.0 MECHANICAL CHARACTERISTICS

11.1 Dimensional Requirements

FIGURE 5 shows mechanical outlines for the model GTB070WSA-100.
Other parameters are shown in Table 9.

<Table 9. Dimensional Parameters>

Parameter	Specification	Unit
Active Area	153.6 (H) × 90 (V)	
Number of pixels	1024(H) X 600 (V) (1 pixel = R + G + B dots)	
Pixel pitch	0.150 (H) X 0.150 (V)	
Pixel arrangement	RGB Vertical stripe	
Display colors	16.7M	
Display mode	Normally Black	
Dimensional outline	164.05*100.86*2.35 (Typ.)	mm
Weight	90 (Max)	gram
Back-light	LED, Horizontal-LED Array type	

11.2 Mounting

See FIGURE 6.

11.3 Glare and Polarizer Hardness.

The surface of the LCD has an low reflection coating and hard coating to reduce scratching.

11.4 Light Leakage

There shall not be visible light from the back-lighting system around the edges of the screen as seen from a distance 50cm from the screen with an overhead light level of 150lux.

SPEC. NUMBER
S

SPEC TITLE
GTB070WSA-100 Product Specification

PAGE
22 OF 26



PRODUCT GROUP

REV

ISSUE DATE

TFT LCD PRODUCT

O

2010.10.14.

12.0 RELIABILITY TEST

The Reliability test items and its conditions are shown in below.

<Table 10. Reliability test>

No	Test Items	Conditions
1	High temperature storage test	Ta = 85 °C, 24 hrs
2	Low temperature storage test	Ta = -40 °C, 24 hrs
3	High temperature & high humidity operation test	Ta = 60 °C, 90%RH, 96 hrs
4	High temperature operation test	Ta = 60 °C, 24 hrs
5	Low temperature operation test	Ta = -20 °C, 24 hrs
6	Thermal shock	Ta = -40 °C ↔ 85 °C (2 hr), 30 cycle

13.0 HANDLING & CAUTIONS

(1) Cautions when taking out the module

- Pick the pouch only, when taking out module from a shipping package.

(2) Cautions for handling the module

- As the electrostatic discharges may break the LCD module, handle the LCD module with care. Peel a protection sheet off from the LCD panel surface as slowly as possible.
- As the LCD panel and back - light element are made from fragile glass material, impulse and pressure to the LCD module should be avoided.
- As the surface of the polarizer is very soft and easily scratched, use a soft dry cloth without chemicals for cleaning.
- Do not pull the interface connector in or out while the LCD module is operating.
- Put the module display side down on a flat horizontal plane.
- Handle connectors and cables with care.

(3) Cautions for the operation

- When the module is operating, do not lose CLK, ENAB signals. If any one of these signals is lost, the LCD panel would be damaged.
- Obey the supply voltage sequence. If wrong sequence is applied, the module would be damaged.

SPEC. NUMBER

S

SPEC TITLE

GTB070WSA-100 Product Specification

PAGE

23 OF 26



PRODUCT GROUP

REV

ISSUE DATE

TFT LCD PRODUCT

O

2010.10.14.

(4) Cautions for the atmosphere

- Dew drop atmosphere should be avoided.
- Do not store and/or operate the LCD module in a high temperature and/or humidity atmosphere. Storage in an electro-conductive polymer packing pouch and under relatively low temperature atmosphere is recommended.

(5) Cautions for the module characteristics

- Do not apply fixed pattern data signal to the LCD module at product aging.
- Applying fixed pattern for a long time may cause image sticking.

(6) Other cautions

- Do not disassemble and/or re-assemble LCD module.
- Do not re-adjust variable resistor or switch etc.
- When returning the module for repair or etc., Please pack the module not to be broken. We recommend to use the original shipping packages.

SPEC. NUMBER

S

SPEC TITLE

GTB070WSA-100 Product Specification

PAGE

24 OF 26



PRODUCT GROUP

REV

ISSUE DATE

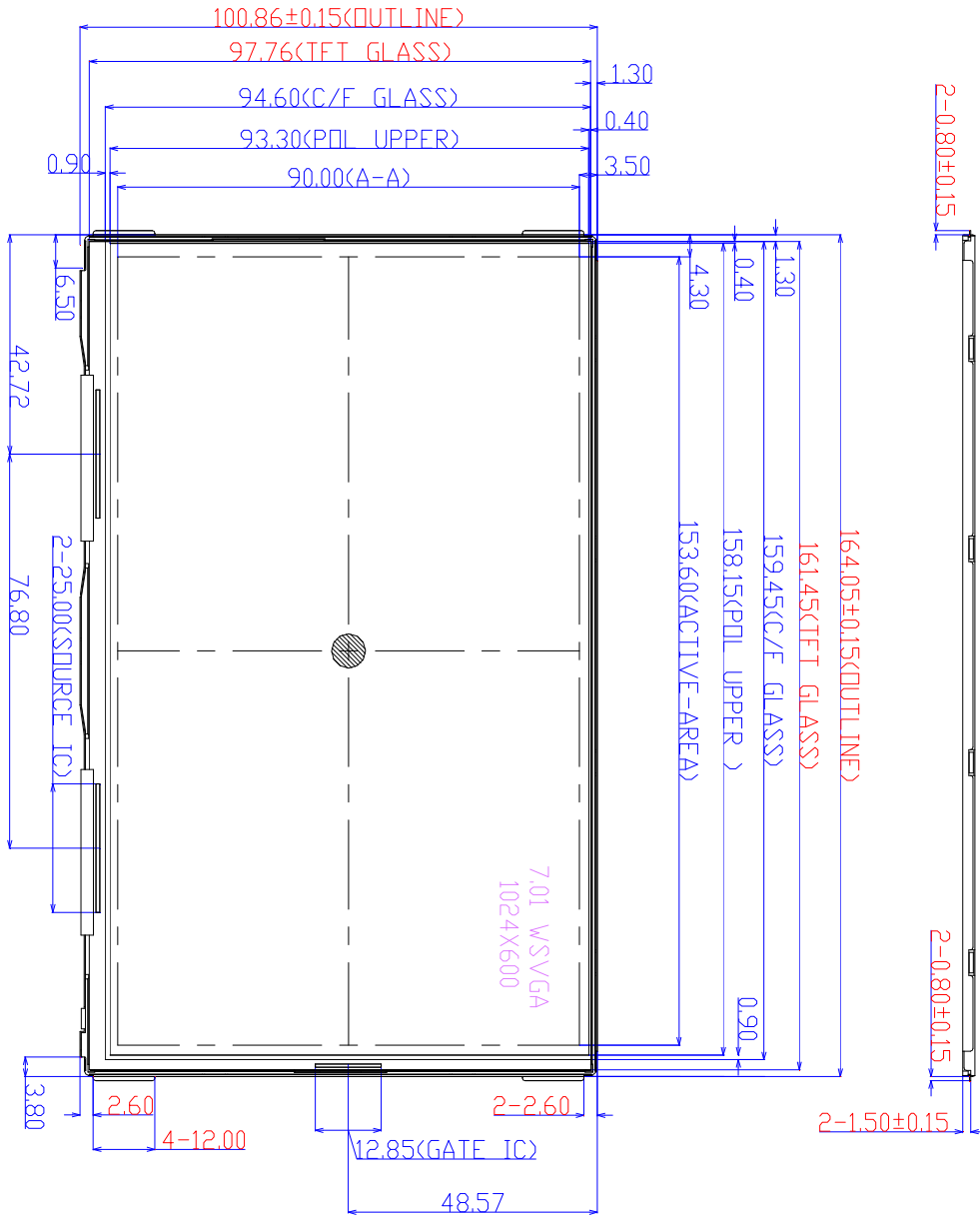
TFT LCD PRODUCT

O

2010.10.14.

14.0 MECHANICAL OUTLINE DIMENSION

Figure 6. TFT-LCD Module Outline Dimension (Front View)



SPEC. NUMBER
S

SPEC TITLE
GTB070WSA-100 Product Specification

PAGE
25 OF 26



PRODUCT GROUP

REV

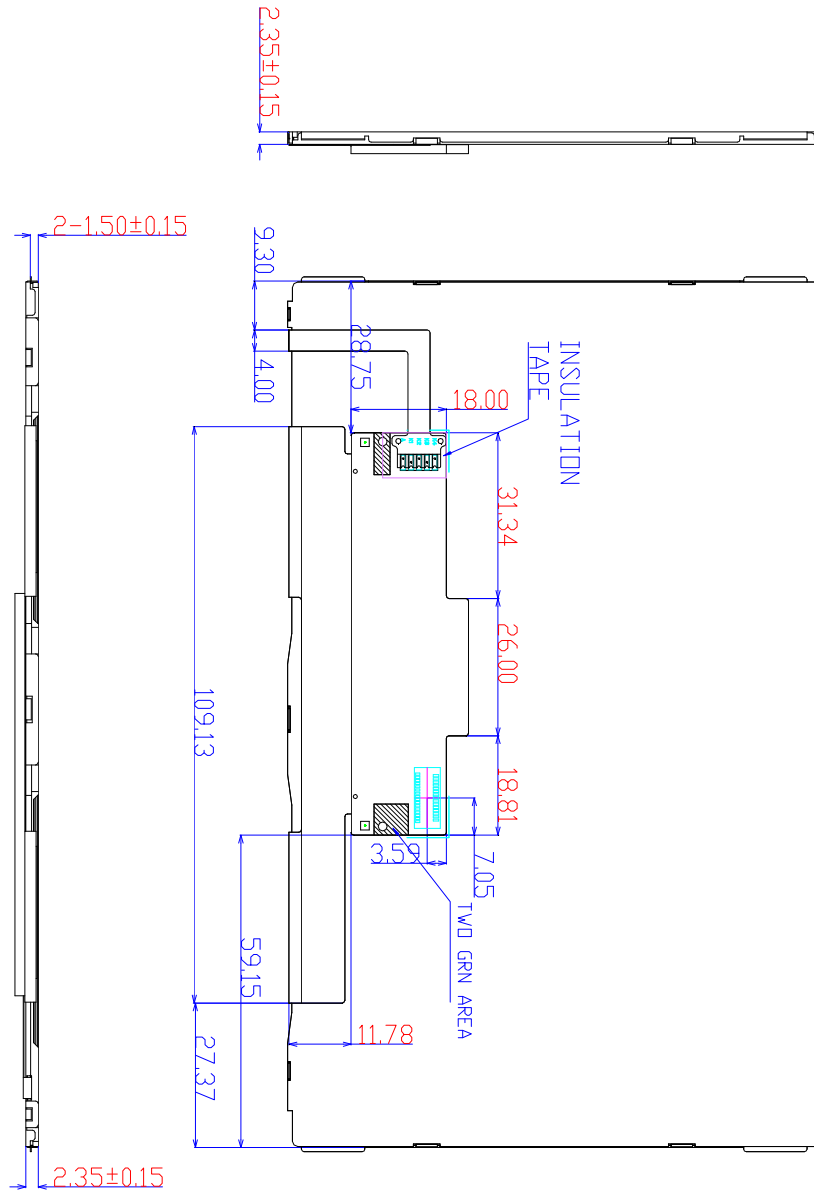
ISSUE DATE

TFT LCD PRODUCT

O

2010.10.14.

Figure 7. TFT-LCD Module Outline Dimensions (Rear view)



NOTE

- 1.LIGHTBAR FPC ADN DOUBLE STICK TAPE THICKNESS IS 0.17mm+/-0.05mm
- 2.PCB THICKNESS IS 0.4±,THE CIRCUIT PART THICKNESS IS 1.25±
- 3.TOTAL THICKNESS IS 4.10mm+/-0.15mm
- 4.GROUND AREA :
- 5.UNLESS OTHERWISE SPECIFIED FILLET RADIUS:0.5
- 6.THE RED DIMENSION IS CTF

SPEC. NUMBER
S

SPEC TITLE
GTB070WSA-100 Product Specification

PAGE
26 OF 26