



## GTO Clamping Capacitors, Self-healing, Segmented

<b>PART NO.</b>	<b>GTO 2940-12RP</b>	
<b>ART. NO.</b>	<b>20914</b>	
<b>NOMINAL RATINGS</b>		
Capacitance/Tolerance	CN	12uF ± 5%
Rated voltage	UN	2940V
Rated DC voltage	Udc	2940VDC
Peak voltage period.	Us	3600VDC
Peak voltage not period.	Usmax	4100VDC
Voltage raise	du/dt	200V/us
Rated current	In	50A
Peak current	Is	2400A
Inductance	Ls	< 20nH
Loss factor diel.	tanδ	< 2*10 <sup>-4</sup>
Loss factor 50Hz	tanδ	< 2*10 <sup>-4</sup>
Loss factor 1kHz	tanδ	< 10.0*10 <sup>-4</sup>

<b>DESIGN DATA</b>	
Diameter	91mm
Height	161mm
Drawing	20-B-043
Weight	1.2kg
Casing material	Lathene
Mounting	All
<b>LIFE EXPECTANCY</b>	> 100000 Std
<b>FAILURE RATE</b>	300 FIT

### ROUTINE TESTS

Test voltage terminal/terminal	UT/T	5880V, DC, 10s
--------------------------------	------	----------------

### OPERATING TEMPERATURE

Minimum ambient temperature	Tamin	- 40°C
Maximum ambient temperature	Tamax	70°C
Minimum casing temperature	Tcmin	- 40°C
Maximum casing temperature	Tcmax	70°C

### STORAGE TEMPERATURE

Minimum temperature	Tmin	- 50°C
Maximum temperature	Tmax	85°C

### TECHNOLOGY

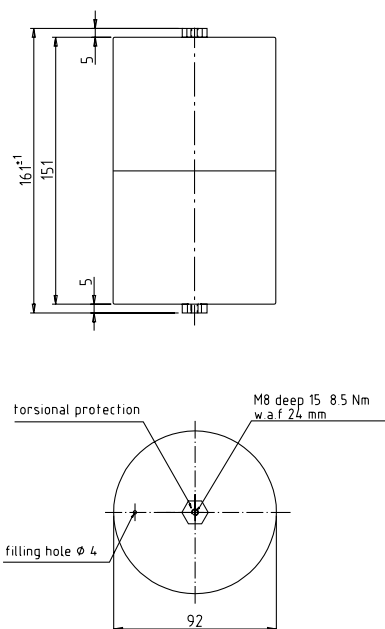
Dielectric Polypropylene film, metallized, self-healing **segmented**

Filling material resin, polyurethane **dry**

### BUSHING

Internal thread	M8 depth 15mm
Max. torque	8.5Nm
Air distance	217mm
Creepage distance	217mm

### DIMENSIONS





## Notice

Specifications of the products displayed herein are subject to change without notice. Vishay Intertechnology, Inc., or anyone on its behalf, assumes no responsibility or liability for any errors or inaccuracies.

Information contained herein is intended to provide a product description only. No license, express or implied, by estoppel or otherwise, to any intellectual property rights is granted by this document. Except as provided in Vishay's terms and conditions of sale for such products, Vishay assumes no liability whatsoever, and disclaims any express or implied warranty, relating to sale and/or use of Vishay products including liability or warranties relating to fitness for a particular purpose, merchantability, or infringement of any patent, copyright, or other intellectual property right.

The products shown herein are not designed for use in medical, life-saving, or life-sustaining applications. Customers using or selling these products for use in such applications do so at their own risk and agree to fully indemnify Vishay for any damages resulting from such improper use or sale.