

**Specification:**            **GU128x32D-7806A**    **(Katakana & International Font Sets)**  
                                 **GU128x32D-7806AC**   **(Katakana & Cyrillic Font Sets)**  
                                 **VFD Modules**

**Features:**                **16x2/3/4 Character LCD Module Emulation**  
                                 **Extended Graphic Functions**  
                                 **128x32 Dot Graphic Display**  
                                 **Single 5V Supply**  
                                 **High Brightness Blue Green Display**  
                                 **Operating Temp -40°C to +85°C**  
                                 **6 Font Sizes 5x5, 5x7, 7x7, 7x15, 10x14, 20x28**  
                                 **4/8 Bit Parallel LCD Interface**  
                                 **SPI Synchronous Serial Interfaces**  
                                 **Bi-Directional Asynchronous Serial Interfaces**

**Reference:**                **42666**  
**Issue Date:**            **12 December 2008**  
**Revision:**                **2**

# Contents

<b>1</b>	<b>General Description .....</b>	<b>3</b>
1.1	Scope .....	3
1.2	Construction .....	3
1.3	Outline .....	3
1.4	Block Diagram .....	3
<b>2</b>	<b>Electrical Specification .....</b>	<b>4</b>
2.1	Absolute Maximum Ratings .....	4
2.2	Electrical Ratings .....	4
2.3	Electrical Characteristics .....	4
<b>3</b>	<b>Optical Specifications .....</b>	<b>5</b>
<b>4</b>	<b>Environmental Specifications .....</b>	<b>5</b>
<b>5</b>	<b>Interface .....</b>	<b>5</b>
5.1	Type of Interface .....	5
5.2	Parallel Interface .....	5
5.2.1	Basic Function .....	5
5.2.2	Parallel Interface Timing .....	6
5.3	Serial Interface .....	8
5.3.1	Basic Function .....	8
5.3.2	Asynchronous Serial Interface Timing .....	8
5.3.3	Synchronous Serial Interface Timing .....	9
5.3.4	Serial control .....	9
5.4	Reset .....	9
<b>6</b>	<b>Software Function .....</b>	<b>10</b>
6.1	Character Commands .....	10
6.1.1	UDF Write - Code: 00H – 0FH, RS = 1 .....	10
6.1.2	Data Write - Code: 10H – FFH, RS = 1 .....	10
6.1.3	Data Read - Code: 00H – FFH, RS = 1, R/W = 1 .....	10
6.1.4	Status / Cursor Position Read - Code: 00H – FFH, RS = 0, R/W = 1 .....	10
6.1.5	Display Clear - Code: 01H, RS = 0, Busy = 150 $\mu$ s .....	10
6.1.6	Cursor Home - Code: 02H, RS = 0, Busy = 500 $\mu$ s .....	10
6.1.7	Entry Mode - Code: 04H – 07H, RS = 0, Busy = 40 $\mu$ s .....	10
6.1.8	Display Control - Code: 08H – 0FH, RS = 0, Busy = 50 $\mu$ s .....	11
6.1.9	Cursor Shift Left - Code: 10H, RS = 0, Busy = 40 $\mu$ s .....	11
6.1.10	Cursor Shift Right - Code: 14H, RS = 0, Busy = 40 $\mu$ s .....	11
6.1.11	Display Shift Left - Code: 18H, RS = 0, Busy = 150 $\mu$ s .....	11
6.1.12	Display Shift Right - Code: 1CH, RS = 0, Busy = 150 $\mu$ s .....	11
6.1.13	Select 4 bit Interface - Code: 20H + lum, RS = 1, Busy = 40 $\mu$ s .....	11
6.1.14	Select 8 bit Interface - Code: 30H + lum, RS = 1, Busy = 40 $\mu$ s .....	11
6.1.15	Select CG Address - Code: 40H – 7FH, RS = 0, Busy = 40 $\mu$ s .....	11
6.1.16	Select DD Address - Code: 80H – E7H, RS = 0, Busy = 40 $\mu$ s .....	12
6.2	Extended Graphic Commands .....	12
6.2.1	Set Graphic Cursor - Code: F0H + xpos + ypos, RS = 0, Busy = 40 $\mu$ s .....	12
6.2.2	Set Area - Code: F1H + x1 + y1 + x2 + y2 + cmd, RS = 0, Busy = 40 $\mu$ s + 500 $\mu$ s[cmd byte] .....	12
6.2.3	Write Graphic Image - Code: F1H + x1 + y1 + x2 + y2 + cmd, RS = 0 .....	13
6.2.4	Set Font / Lines - Code: F2H + font, RS = 0, Busy = 40 $\mu$ s .....	14
6.2.5	Extended Graphic Command Example .....	16
6.3	Extended Port and Serial Commands .....	17
6.3.1	Port I/O Mode .....	17
6.3.2	Synchronous Serial Mode .....	17
6.3.3	Asynchronous Serial Mode .....	17
6.3.4	Port Configure - Code: F4H + byte, RS = 0 .....	17
6.3.5	Read Port Status - Code: F5H, RS = 0 .....	18
6.3.6	Port Out / Serial Send - Code: F6H + byte, RS = 0 .....	19
6.3.7	Port In / Serial Read - Code: F7H, RS = 0 .....	19

6.3.8	Port Buffer Send - Code: F8H + size + data, RS = 0 .....	20
6.3.9	Extended Port and Serial Command Examples .....	20
6.4	Additional Serial Commands.....	22
6.4.1	Set RS Low - Code: 0FH, RS =0 .....	22
6.4.2	Data Read - Code: FEH, RS = 0.....	22
6.4.3	Read Cursor Position - Code: FFH, RS = 0.....	22
<b>7</b>	<b>Character Sets .....</b>	<b>23</b>
7.1	Mini 5x5 Font.....	23
7.1.1	5x5 Main Character Set .....	23
7.2	5x7 Font .....	23
7.2.1	5x7 Main Character Set .....	23
7.2.2	5x7 Katakana Extended Character Set.....	23
7.2.3	5x7 International Extended Character Set (GU128x32D-7806A Only).....	24
7.2.4	5x7 Cyrillic Extended Character Set (GU128x32D-7806AC Only) .....	24
7.3	7x7 Font (LCD Emulation).....	25
7.3.1	7x7 Main Character Set .....	25
7.3.2	7x7 Katakana Extended Character Set.....	25
7.3.3	7x7 International Extended Character Set (GU128x32D-7806A Only).....	26
7.3.4	7x7 Cyrillic Extended Character Set (GU128x32D-7806AC Only) .....	26
7.4	7x15 Font .....	27
7.4.1	7x15 Main Character Set .....	27
7.4.2	7x15 Katakana Extended Character Set.....	28
7.4.3	7x15 International Extended Character Set (GU128x32D-7806A Only).....	29
7.4.4	7x15 Cyrillic Extended Character Set (GU128x32D-7806AC Only) .....	30
7.5	10x14 Font .....	31
7.5.1	10x14 Main Character Set .....	31
7.5.2	10x14 Katakana Extended Character Set.....	31
7.5.3	10x14 International Extended Character Set (GU128x32D-7806A Only).....	32
7.5.4	10x14 Cyrillic Extended Character Set (GU128x32D-7806AC Only) .....	33
7.6	20x28 Font .....	33
7.6.1	20x28 Main Character Set .....	33
7.6.2	20x28 Katakana Extended Character Set.....	33
7.6.3	20x28 International Extended Character Set (GU128x32D-7806A Only).....	34
7.6.4	20x28 Cyrillic Extended Character Set (GU128x32D-7806AC Only) .....	34
<b>8</b>	<b>Setup .....</b>	<b>35</b>
8.1	Jumpers .....	35
8.1.1	Serial / Parallel Selection .....	35
8.1.2	Parallel Interface Type (M68 / i80) .....	35
8.1.3	Asynchronous Serial Mode .....	35
8.1.4	CN1 Pin 3 Function .....	35
8.1.5	Control Line Pull-Up Function .....	36
<b>9</b>	<b>Connectors .....</b>	<b>36</b>
9.1	Parallel interface connector (Fourteen through holes) – CN1 .....	36
9.2	Serial Interface Connector (Ten through holes) – CN2.....	36
9.2.1	Asynchronous Serial Interface Selected .....	36
9.2.2	Synchronous Serial Interface Selected.....	37
<b>10</b>	<b>Notation of firmware version .....</b>	<b>38</b>
<b>11</b>	<b>Outline Drawing.....</b>	<b>38</b>
<b>12</b>	<b>Notice for the Cautious Handling of VFD Modules.....</b>	<b>39</b>

1 General Description

1.1 Scope

This specification covers the operating requirements of the vacuum fluorescent graphic display modules GU128x32D-7806A and GU128x32D-7806AC.

Both modules are mechanically and software identical apart from the 'A' series features Katakana + International extended character sets and the 'AC' series features Katakana + Cyrillic extended character sets. All information in this document is implied for both the 'A' and 'AC' series unless otherwise stated.

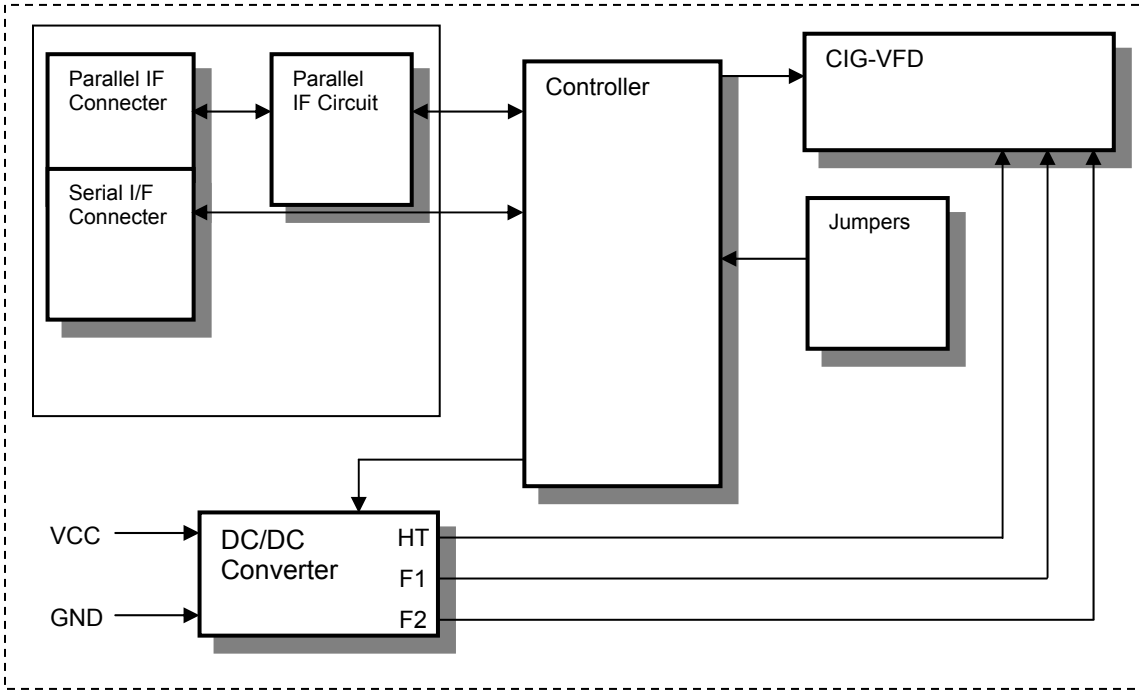
1.2 Construction

The module consists of a 128x32 dot graphic CIG-VFD, refresh RAM, character generator, DC/DC converter, display controller, and all necessary control logic. The module can simultaneously display graphic patterns and / or characters on the screen.

1.3 Outline

- Power supply: +5 VDC only
- Interface: Parallel interface (CMOS)  
CMOS Synchronous Serial Interface  
CMOS Asynchronous Serial Interface
- Function: Character / Graphic display  
Control commands  
Character and Graphic Image Download
- Applied reliability spec: TT-99-3102
- Applied production spec: TT-98-3413

1.4 Block Diagram



## 2 Electrical Specification

### 2.1 Absolute Maximum Ratings

Parameter	Symbol	Min.	Typ.	Max.	Unit	Condition	Note
Power Supply Voltage	VCC	-0.3	—	+6.0	VDC	GND=0V	
Logic Supply Voltage	VIN	-0.3	—	VCC+0.3	VDC	GND=0V	D0-D7, E, R/W, RS, SIN, SCK, /RESET

### 2.2 Electrical Ratings

Parameter	Symbol	Min.	Typ.	Max.	Unit	Condition	Note
Power Supply Voltage	VCC	4.75	5.0	5.25	VDC	GND=0V	

All driving voltages for the VFD are supplied by the DC/DC converter on board.

### 2.3 Electrical Characteristics

Measuring Conditions: Ambient temperature = 25°C, VCC =5.0VDC

Parameter	Symbol	Min.	Typ.	Max.	Unit	Condition	Note	
"L" Level Logic Input Current	IIL1	—	—	-0.15mA	mA	VIN=0V	D0-D7, R/W, RS, E	
	IIL2	—	—	-0.6	mA	VIN=0V	SIN,SCK, /RESET	
"H" Level Logic Input Current	IIN	—	—	1.0	μADC	VIN=5V	D0-D7, R/W, RS, E, SIN, SCK, /RESET	
Logic Input Voltage	"H"	VIH	0.8VCC	—	VCC	VDC	—	D0-D7, R/W, RS, E, SIN, SCK, /RESET
	"L"	VIL	0	—	0.6	VDC	—	
Logic Output Voltage	"H"	VOH	3.5	—	VCC	VDC	IOH=-10μA	D7(Busy Flag), BUSY, D0-D7, PBUSY
	"L"	VOL	0	—	0.6	VDC	IOL=4mA	
Power Supply Current 1	ICC1	245	250	270	mADC	—	All dots ON	
Power Supply Current 2	ICC2	225	240	250	mADC	—	All dots OFF	
Power Supply Current 3	ICC3	—	35	45	mADC	—	Standby	

The power supply should be capable of supplying a higher current (x2) at 'power on' for 100ms.

### 3 Optical Specifications

Number of dots:	128 × 32 (X × Y)
PCB Size:	80.0 mm × 36.0 mm (X × Y)
Display area:	54.89 mm × 13.93 mm (X × Y)
Dot size:	0.28 mm × 0.29 mm (X × Y)
Dot pitch:	0.43 mm × 0.44 mm (X × Y)
Luminance:	350 cd/m <sup>2</sup> Min. (800 cd/m <sup>2</sup> Typ.)
Colour of illumination:	Green (Blue Green)

### 4 Environmental Specifications

Operating temperature:	-40 to +85 degrees C
Storage temperature:	-40 to +85 degrees C
Storage humidity:	20 to 80 % R.H. (Non Condensing)
Vibration:	10-55-10Hz, all amplitude 1mm, 30Min., X-Y-Z (Non operating)
Shock:	392m/s <sup>2</sup> (40G) 9ms X-Y-Z, 3 times each direction (Non operating)

### 5 Interface

#### 5.1 Type of Interface

The following CMOS interfaces are available on this module:

- Parallel M68 Interface (default) or i80 interface
- Synchronous Serial Interface (SCK, SIN, SOUT, /SS, HB, MB, Reset)
- Asynchronous Serial Interface (RXD, TXD, HB, MB, Reset)

#### 5.2 Parallel Interface

##### 5.2.1 Basic Function

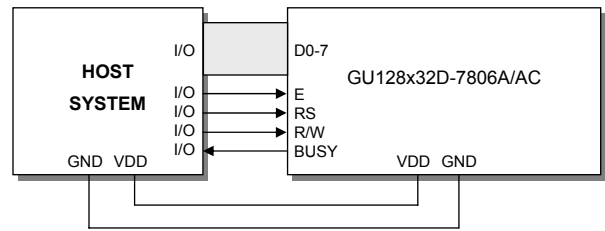
The module sets the BUSY line upon receipt of data, and clears the line when ready to receive more data. BUSY is readable by Status read of D7 bit (see section 6.1.4) or BUSY signal directly.

RS terminal is used for switching of data and command.

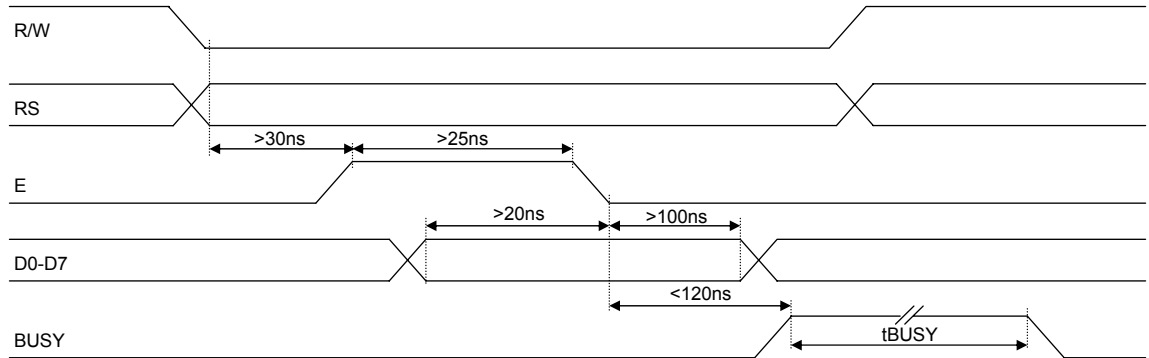
Operation	W/R	E	RS	D0-D7
Data Write	0	1 → 0	1	D0-D7:Data write
Data Read	1	1	1	D0-D7:Data read
Command Write	0	1 → 0	0	D0-D7:Command Write
Status Read	1	1	0	D0-D7: (D7 Busy) 1:BUSY, 0:READY D0-D6: Cursor Position

5.2.2 Parallel Interface Timing

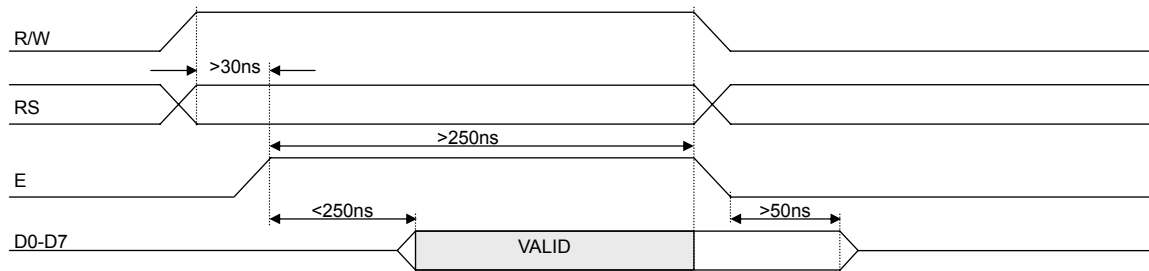
This module has a fast latching 8-bit data bus. The 'RS' and 'R/W' control lines should be set prior to the rising edge of the 'E' enable line. Data is clocked in on the falling edge of the enable line. The busy line should be checked before sending data.



5.2.2.1 8-Bit Data/Command Write Timing Diagram



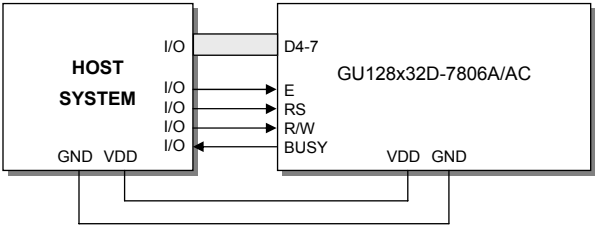
5.2.2.2 8-Bit Data/Status Read Timing Diagram



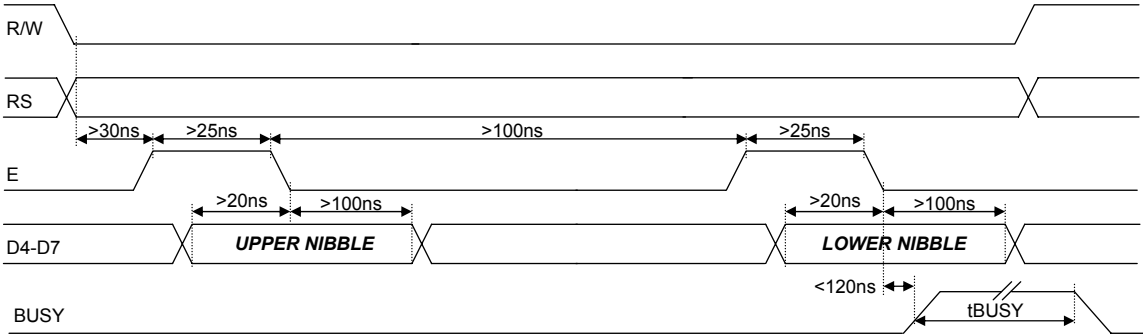
The busy state can be monitored on D7 when reading the DDRAM address (RS line low). The busy state can also be monitored directly from CN1 pin 3 if link J3 is set to 1-2.

# GU128x32D-7806A/AC

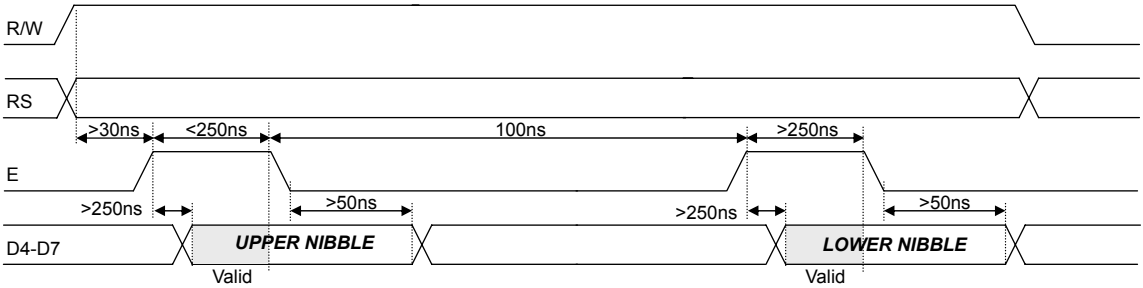
The data bus width can be selected for 4-bit operation, using data lines D4-D7. Within this mode, two writes are required to send one data byte. The high nibble (bits 4-7) should be sent first, followed by the low nibble (bits 0-3). The busy state is not triggered between nibbles. It is important that the status is NOT read within 40µs of sending the command to set either 4 or 8 bit mode.



### 5.2.2.3 4-Bit Data/Command Write Timing Diagram



### 5.2.2.4 4-Bit Data/Status Read Timing Diagram





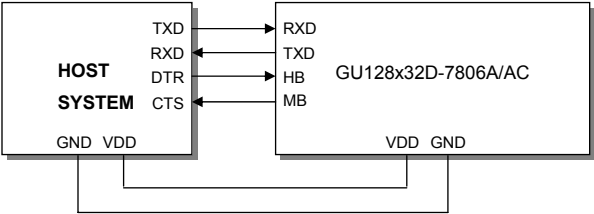
**5.3 Serial Interface**

**5.3.1 Basic Function**

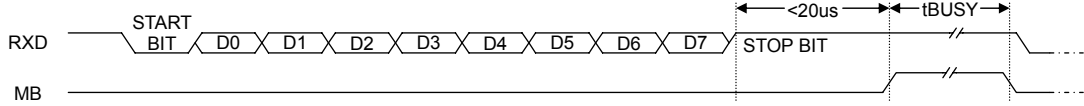
Asynchronous & synchronous serial interfaces are provided at TTL level. Synchronous is enabled with parallel, first received byte disables the other. To enable Asynchronous Serial Mode connect pin 4 and 6 on CN2 (LINK1 and LINK2), Link J6 and enable i80 Mode on J2 and J4. When using Asynchronous serial communications, the module is automatically initialized at power-up/reset with the cursor enabled.

**5.3.2 Asynchronous Serial Interface Timing**

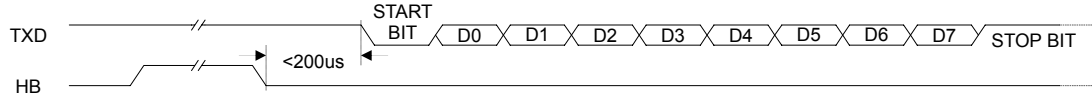
The host busy line (HB) stops the module from sending data to the host. The use of the HB and MB lines are optional, and can be connected together if not required.



**5.3.2.1 Host to Module Write**



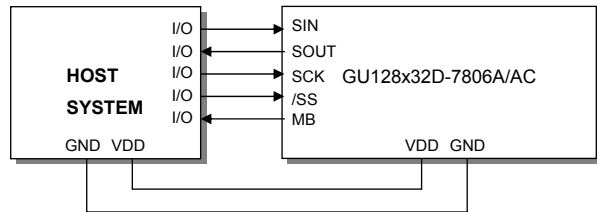
**5.3.2.2 Module to Host Write**



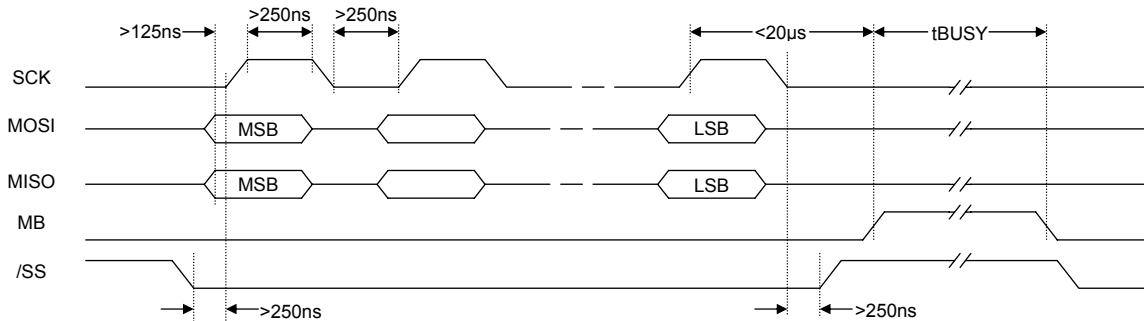
### 5.3.3 Synchronous Serial Interface Timing

With synchronous communications enabled, data can be clocked into the VFD module on the rising edge of SCK, with the MSB sent first. The host must provide adequate delays for the module to process the data, these busy times are specified in the software command section. Alternatively the host can monitor the MB (Module Busy) line.

The /SS pin can be used as an enable pin if other devices are connected to the serial line, and also allows byte synchronization. The use of the /SS line is recommended, but can be permanently pulled low if not required.

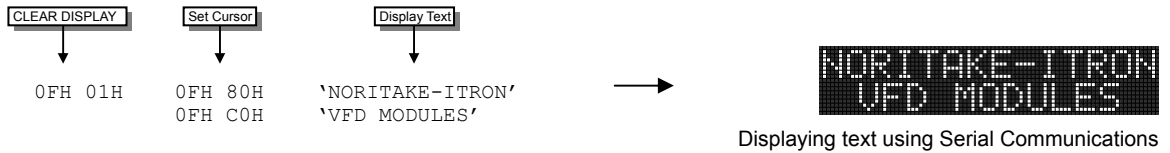


#### 5.3.3.1 TTL Synchronous serial communication



### 5.3.4 Serial control

An additional command has been included to distinguish between command and data writes when using serial communications. This command (0FH) will temporarily set the RS line low for the subsequent written byte. The following example displays two text messages using the serial communications and the 'Set RS' command:



### 5.4 Reset

At power ON the modules internal reset requires at least 8ms before commands can be sent. Please check the busy status. If you connect pin 3 to the hardware reset using J3, the module will require 3ms to re-initialize. Reset is achieved by high-low-high transition of at least 100ns.

## 6 Software Function

This module features a command set that is LCD compatible, allowing easy replacement in existing equipment with little or no modifications. Careful consideration should be taken regarding the command execution times of this module. Although the commands can be executed within 40µs, which is normal for LCD, busy times are increased when using the scroll write modes and with the cursor enabled. DD RAM address locations 70H+ are used to access the extended graphic commands.

At power up and reset the module is automatically initialized and ready to receive data. The interface is set to 8-bit, the display is cleared, the cursor position is set to the top-left corner (DD RAM address = 00H), and the display luminance is set to 100%.

### 6.1 Character Commands

#### 6.1.1 UDF Write - Code: 00H – 0FH, RS = 1

Write user defined character 1-8 to the current cursor location on the display.

Codes 08H – 0FH & 00H – 07H display user defined characters 1-8.

#### 6.1.2 Data Write - Code: 10H – FFH, RS = 1 (40µs LCD compatible mode) (250µs Graphic mode)

Write data to the display. In normal (LCD compatible) mode of operation, data is written to the display data (DD RAM) or character generator (CG RAM).

When using the graphical data commands (F0H, F1H & F2H), data is written direct to the display and is not stored in DD RAM. Data write busy times will increase when using the graphic functions.

#### 6.1.3 Data Read - Code: 00H – FFH, RS = 1, R/W = 1 (40µs LCD compatible mode)

Read data from the display. In normal (LCD compatible) mode of operation, data is read from the display data (DD RAM) or character generator (CG RAM).

#### 6.1.4 Status / Cursor Position Read - Code: 00H – FFH, RS = 0, R/W = 1 (40µs LCD compatible mode)

D0 – D6 of read data corresponds to the current cursor position. D7 shows the status of busy.

#### 6.1.5 Display Clear - Code: 01H, RS = 0, Busy = 150µs

Fills all locations in the display data (DD) RAM with 20H (blank character). The address counter is set to 0 in the DD RAM. The address counter is set to increment on each data read/write. Any display offset (using the display shift command) is removed.

#### 6.1.6 Cursor Home - Code: 02H, RS = 0, Busy = 500µs

The address counter is set to 0 in the DD RAM. Any display offset (using the display shift command) is removed.

#### 6.1.7 Entry Mode - Code: 04H – 07H, RS = 0, Busy = 40µs

Bit 1 is used to select the direction of the address counter on each data read or write. If set to '1', the address counter is incremented. If set to '0', the address counter is decremented.

Bit 0 enables the display to shift on each data read/write. If this bit is set to '1', the display is shifted with the cursor. The display shift direction depends upon the address counter direction (bit1). If this is set to increment, the display is shifted left, if the address counter is set to decrement, the display is shifted right.

Note: When display shift is enabled, the data write busy time can increase by 150µs.

**6.1.8 Display Control - Code: 08H – 0FH, RS = 0, Busy = 50µs**

Bit 2 is used to enable or disable the display. If this bit is set to '0' the VFD's power supply is turned off to reduce power consumption.

Bit 0 enables the flashing block cursor.

Note: If the cursor is enabled, busy times can increase by 20µs.

**6.1.9 Cursor Shift Left - Code: 10H, RS = 0, Busy = 40µs**

Shift the cursor position (address counter) one position to the left.

**6.1.10 Cursor Shift Right - Code: 14H, RS = 0, Busy = 40µs**

Shift the cursor position (address counter) one position to the right.

**6.1.11 Display Shift Left - Code: 18H, RS = 0, Busy = 150µs**

Shift the display left, one character position.

**6.1.12 Display Shift Right - Code: 1CH, RS = 0, Busy = 150µs**

Shift the display right, one character position.

**6.1.13 Select 4 bit Interface - Code: 20H + lum, RS = 1, Busy = 40µs**

Enables 4-bit communications. Data is received on DB4-DB7 only. Two writes are required to send one data byte. The most significant nibble should be sent first. Refer to the 'Parallel Communications' section for more information. The lum value sets the displays brightness, and must be sent with the RS line high:

00H = full brightness, 01H = 75%, 02H = 50% & 03H = 25%.

Do not read the status immediately after this command, a delay of 40µs should be used instead.

**6.1.14 Select 8 bit Interface - Code: 30H + lum, RS = 1, Busy = 40µs**

Enables 8-bit communications. Data is received on DB0-DB7. The lum value sets the displays brightness, and must be sent with the RS line high: -

00H = full brightness, 01H = 75%, 02H = 50% & 03H = 25%.

Do not read the status immediately after this command, a delay of 40µs should be used instead.

**6.1.15 Select CG Address - Code: 40H – 7FH, RS = 0, Busy = 40µs**

Set the character generator address (CG RAM). All written data is placed within the user definable character area.

**6.1.16 Select DD Address - Code: 80H – E7H, RS = 0, Busy = 40µs**

Set the display data address (DD RAM). 80H-8FH = 1st Line, C0H-CFH = 2nd Line, 94H-A3H = 3rd Line, D4H-E3H = 4th Line.

**6.2 Extended Graphic Commands**

Command Structure and Values Copyright 2007 Noritake Co Limited, Japan

In addition to the standard LCD commands, this module includes additional commands to display graphical data, different font sizes, fill, clear and invert defined areas of the display. Also an outline command is available to draw rectangles around objects.

When any of these extended commands are executed, the module will change to the 'graphics' mode of operation. This graphics mode allows text to be written to any part of the display.

There are many differences the user should be aware of when the display is in this graphics mode:

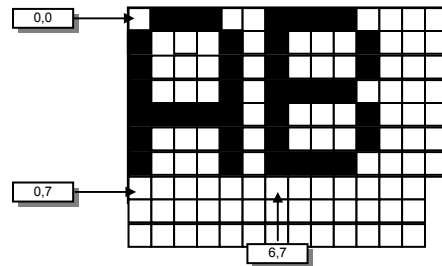
- Written data may require additional busy times.
- Text data is not written into the DD RAM and therefore can not be read back.
- Graphical text can not be shifted onto the display.
- The cursor is disabled & cursor direction is set to increment only.
- UDF characters cannot be written.
- All parameters and data (if applicable) should be written with RS line set high.

Note: After these commands are executed, the cursor will be disabled and any character data will be written to the display only, and not the DD RAM. Any subsequent LCD compatible command will re-enable the cursor and allow for DD RAM writing.

The graphics mode is disabled as soon as any valid LCD command is received.

**6.2.1 Set Graphic Cursor - Code: F0H + xpos + ypos, RS = 0, Busy = 40µs**

Set the absolute cursor position. xpos = 0 – 127, ypos = 0 – 31.



Cursor Positioning, example of writing 2 characters from cursor position 0,7.

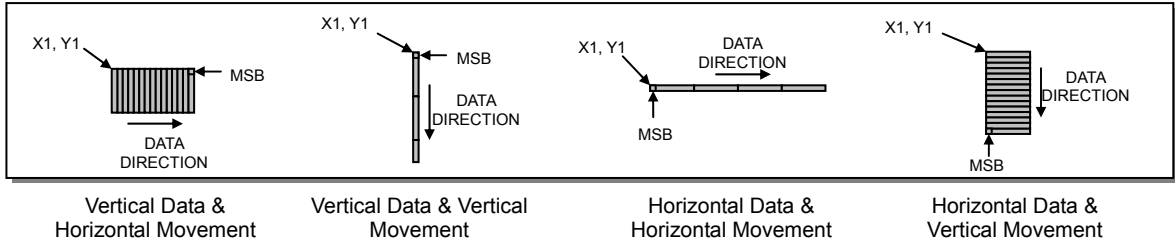
**6.2.2 Set Area - Code: F1H + x1 + y1 + x2 + y2 + cmd, RS = 0, Busy = 40µs + 500µs[cmd byte]**

- |             |                          |
|-------------|--------------------------|
| x1 = left   | cmd:- 'I' = invert area. |
| y1 = top    | 'F' = fill area.         |
| x2 = right  | 'C' = clear area.        |
| y2 = bottom | 'O' = set outline.       |
|             | 'o' = clear outline.     |

**6.2.3 Write Graphic Image - Code: F1H + x1 + y1 + x2 + y2 + cmd, RS = 0**

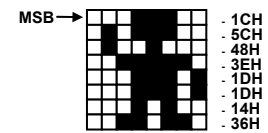
x1 = left      cmd:- 'H' = write horizontal graphical data with horizontal cursor movement.  
 y1 = top      'V' = write vertical graphical data with horizontal cursor movement.  
 x2 = right    'h' = write horizontal graphical data with vertical cursor movement.  
 y2 = bottom   'v' = write vertical graphical data with vertical cursor movement.

Graphical data should immediately follow the 'H', 'h', 'V' and 'v' commands.

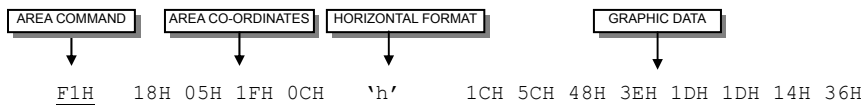


Graphical images can be displayed on the VFD module in either a horizontal or vertical orientation. After each graphical data write, the cursor is automatically advanced. All graphical data is contained within the defined area. Unused bits are masked where the screen area is not a byte multiple.

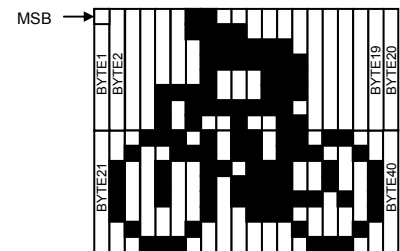
The following example displays a simple graphical image. The graphical data orientation is set to horizontal data format, with a vertical cursor movement. Command bytes that are underlined should be sent with RS line low.



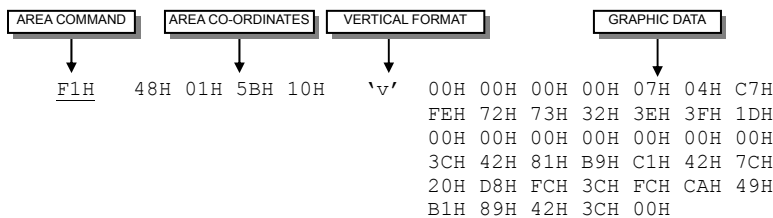
Graphic Image using horizontal data



The next example displays a simple graphical image using a vertical data format, with a horizontal cursor movement. Command bytes that are underlined should be sent with RS line low.



Graphic Image using vertical data



Displaying graphic images in vertical and horizontal format.

**6.2.4 Set Font / Lines - Code: F2H + font, RS = 0, Busy = 40µs**

Select font type, font size and font spacing and number of lines to display in LCD emulation mode.

**6.2.4.1 LCD Emulation Mode Commands**

Type	Command	Action	Mode Change
Font Selection	'D'	Select 7x7 LCD Font with Katakana Extended Character Set	Does not change mode
	'd'	Select 7x7 LCD Font with International (A series) / Cyrillic (AC series) Extended Character Set	Does not change mode
Number of LCD Lines	'L'	Select 2-Line LCD Emulation Mode	Changes to LCD Emulation Mode
	'3'	Select 3-Line LCD Emulation Mode	Changes to LCD Emulation Mode
	'4'	Select 4-Line LCD Emulation Mode	Changes to LCD Emulation Mode

**6.2.4.2 Graphic Mode Commands**

Type	Command	Action	Mode Change
Font Selection	'A'	Select 5x5 Mini Font	Changes to Graphic Mode
	'a'	Select 5x5 Mini Font	Changes to Graphic Mode
	'B'	Select 5x7 Font with Katakana Extended Character Set	Changes to Graphic Mode
	'b'	Select 5x7 Font with International (A series) / Cyrillic (AC series) Extended Character Set	Changes to Graphic Mode
	'C'	Select 10x14 Font with Katakana Extended Character Set	Changes to Graphic Mode
	'c'	Select 10x14 Font with International (A series) / Cyrillic (AC series) Extended Character Set	Changes to Graphic Mode
	'D'	Select 7x7 LCD Font with Katakana Extended Character Set	Does not change mode
	'd'	Select 7x7 LCD Font with International (A series) / Cyrillic (AC series) Extended Character Set	Does not change mode
	'E'	Select 7x15 Font with Katakana Extended Character Set	Changes to Graphic Mode
	'e'	Select 7x15 Font with International (A series) / Cyrillic (AC series) Extended Character Set	Changes to Graphic Mode
	'F'	Select 20x28 Font with Katakana Extended Character Set (Font Doubled 10x14)	Changes to Graphic Mode
	'f'	Select 7x15 Font with International (A series) / Cyrillic (AC series) Extended Character Set (Font Doubled 10x14)	Changes to Graphic Mode
Font Spacing	'P'	Select Proportional Font Spacing	Changes to Graphic Mode
	'M'	Select Mono-Spaced (Fixed Width) Font Spacing	Changes to Graphic Mode
	'1'	Set 1 Pixel Inter-Character Spacing	Changes to Graphic Mode
	'2'	Set 2 Pixel Inter-Character Spacing	Changes to Graphic Mode

The module contains 6 font sizes, a 5x5 dot mini-font, 5x7 dot font, a 10x14 dot font, a 7x7 dot font, a 7x15 dot font and a 20x28 dot font. Graphical text can be written to any part of the display using the 'Set Graphic Cursor' command (F0H). Characters are positioned above the current cursor position. Each character written will include either a one pixel or two pixel spaces to the right side of the character. After each character is written to the display, the cursor position is automatically advanced. If the cursor position reaches the end of the display, the host must reposition to the next line.

The following example displays two text messages in the centre of the display using the 5x7 character font. Command bytes that are underlined should be sent with RS line low.



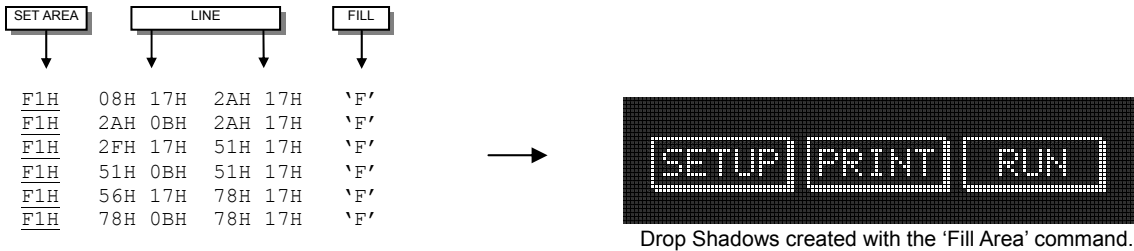
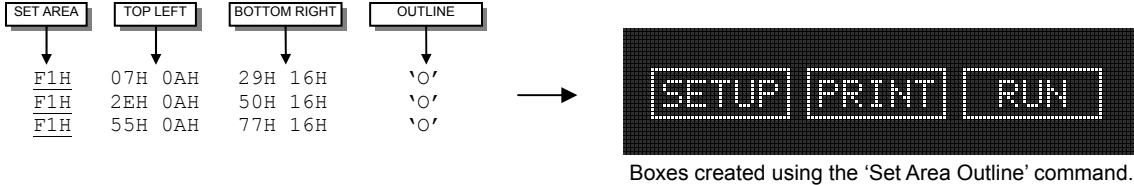
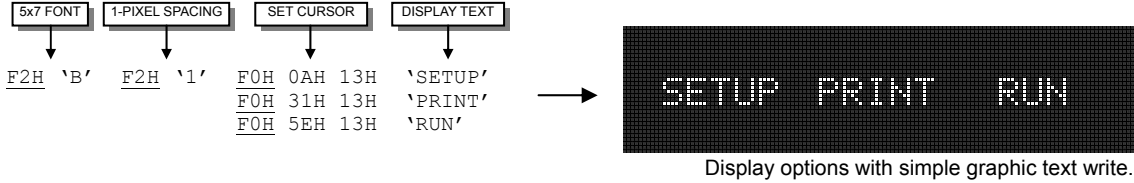
The next example displays one line of text using the 10x14 character font. Command bytes that are underlined should be sent with RS line low.



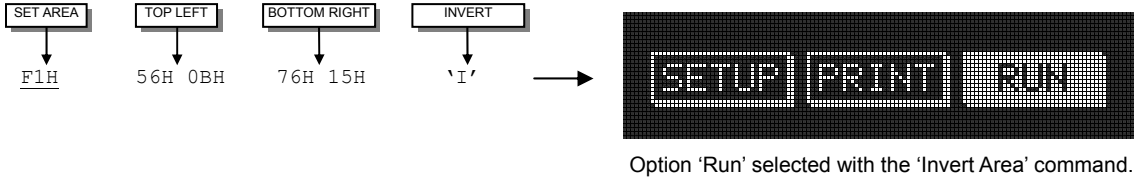


6.2.5 Extended Graphic Command Example

The following example displays three options for the user to select, each option is contained within a box with a shadow effect. Drawing horizontal and vertical lines using the fill area command creates the shadow effect. Command bytes that are underlined should be sent with RS line low.



The next example uses the invert area command to select one of the options.



## 6.3 Extended Port and Serial Commands

Command Structure and Values Copyright 2007 Noritake Co Limited, Japan

The extended port and serial commands are only valid when the display is connected to the host using the parallel interface.

### 6.3.1 Port I/O Mode

The I/O mode gives direct access to the 7 control lines on the serial connector; HB, MB, TXD, RXD, MISO, MOSI and SCK. Each line can be individually set to an Input or Output using the 'PORT CONFIGURE' command. All inputs include an optional pull-up resistor, 30K-120K in value. The outputs can source ~5mA and sink ~30mA. There are 3 commands available to configure port, set port level and read port state.

### 6.3.2 Synchronous Serial Mode

This mode gives the ability to control external synchronous devices connected to the serial connector. Data is transmitted and received on each 'PORT OUT' command. The received data byte is buffered until the 'PORT READ' command is executed.

The 'PORT BUFFER SEND' command will buffer up to 128 bytes of data prior to transmission; only the last data byte received is captured when using this command.

The 'PORT CONFIGURE' command will set the MOSI & SCK lines to outputs, and the MISO line to an input. The HB line is used as an optional busy input, and the MB line is set to an output. The TXD line is also set to an output, and this can be used as a reset or device select control line.

The serial transmission is defined by the 'DEF H/L' (default clock level high or low), 'CLK EDGE' (rising or falling clock edge), and the 'SPEED' (clock speed) control bits. The 'HNDSHK' bit is used to detect the status of the HB line prior to data transmit. All data is transmitted MSB first.

A 'STATUS READ' command can be used to check for completed data transmission.

### 6.3.3 Asynchronous Serial Mode

This mode gives the ability to control external asynchronous devices connected to serial connector. Data is transmitted on each 'PORT OUT' command. Data received is held within a 1 byte buffer until the 'PORT READ' command is executed.

The 'PORT BUFFER SEND' command will buffer up to 128 bytes of data prior to transmission.

The 'PORT CONFIGURE' command will set the TXD & MB lines to outputs, and the RXD line to an input. The MISO line is also set to an output, and this can be used as a reset or device select control line. The HB line is used as an optional busy input. The MB line mirrors the RXC status flag, and indicates that data has been received.

A 'STATUS READ' command can be used to check for completed data transmission.

### 6.3.4 Port Configure - Code: F4H + byte, RS = 0

The operational mode is defined by bits in D7 and D6.

6.3.4.1 Port I/O Mode

D7	D6	D5	D4	D3	D2	D1	D0
1	HB I/O	MB I/O	TXD I/O	MISO I/O	MOSI I/O	RXD I/O	SCK I/O

A '1' defines the port as an input a '0' defines the port as an output. All ports are subsequently set low.

6.3.4.2 Synchronous Serial Mode

D7	D6	D5	D4	D3	D2	D1	D0
0	0	TXD OUT	HNDSHK	DEF H/L	CLK EDGE	SPEED 1	SPEED 0

The TXD port is set high with a '1' and low with a '0'. Busy detection is enabled by setting HNDSHK to a '1'. The default clock level is high with DEF H/L set to a '1', low if '0'. The CLK EDGE is set to rising with a '1', and falling with a '0'.

The clock speed is set with the SPEED D1/D0 bits:

- 00 = 4 MHz
- 01 = 1 MHz
- 10 = 250 kHz
- 11 = 125 kHz

6.3.4.3 Asynchronous Serial Mode

D7	D6	D5	D4	D3	D2	D1	D0
0	1	MISO OUT	HNDSHK	PARITY 1	PARITY 0	BAUD 1	BAUD 0

The MISO port is set high with a '1' and low with a '0'. Busy detection is enabled by setting HNDSHK to a '1'.

The parity is set with the PARITY D3/D2 bits:

- 00 = none
- 10 = even
- 11 = odd

The baud rate is set with the BAUD D1/D0 bits:

- 00 = 4800
- 01 = 9600
- 10 = 19200
- 11 = 38400

6.3.5 Read Port Status - Code: F5H, RS = 0

Operational mode is dependant upon the byte sent with the 'Port Configure' command.

6.3.5.1 Synchronous Serial Mode

D7	D6	D5	D4	D3	D2	D1	D0
–	–	–	HB IN	TX PEND	TXC	RXC	–

The current port status is read with RS high. TX PEND shows data is pending for transmission, TXC transmission completed, and RXC shows data received. HB IN shows the current state of the 'HB' line. TXC is cleared after status read.

**6.3.5.2 Asynchronous Serial Mode**

D7	D6	D5	D4	D3	D2	D1	D0
—	—	—	HB IN	TX PEND	TXC	RXC	RX ERR

The current port status is read with RS high. TX PEND shows that data is pending for transmission, TXC transmission was completed, and RXC shows data has been received. RX ERR indicates a received parity, overrun or framing error. HB IN shows the current state of the 'HB' line. The TXC bit is cleared after status read.

**6.3.6 Port Out / Serial Send - Code: F6H + byte, RS = 0**

Operational mode is dependant upon the byte sent with the 'Port Configure' command.

**6.3.6.1 Port I/O Mode**

D7	D6	D5	D4	D3	D2	D1	D0
—	HB OUT	MB OUT	TXD OUT	MISO OUT	MOSI OUT	RXD OUT	SCK OUT

A '1' sets the corresponding port high, and a '0' sets it low. If the port is set to an input, a '1' will enable the internal pull-up resistor.

**6.3.6.2 Synchronous Mode**

Data is transmitted to the synchronous serial port. If the 'HNDSHK' bit is enabled, transmission will be delayed until the HB line is pulled low.

**6.3.6.3 Asynchronous Mode**

Data is transmitted to the asynchronous serial port. If the 'HNDSHK' bit is enabled, transmission will be delayed until the HB line is pulled low.

**6.3.7 Port In / Serial Read - Code: F7H, RS = 0**

Operational mode is dependant upon the byte sent with the 'Port Configure' command.

**6.3.7.1 Port I/O Mode**

D7	D6	D5	D4	D3	D2	D1	D0
—	HB IN	MB IN	TXD IN	MISO IN	MOSI IN	RXD IN	SCK IN

The current port levels are read with RS high.

**6.3.7.2 Synchronous Mode**

The currently buffered data byte can be read with RS high. The host should first check the RXC bit using the PORT STATUS command. After reading the data byte, the RXC bit is cleared.

**6.3.7.3 Asynchronous Mode**

The currently buffered data byte can be read with RS high. The host should first check the RXC bit using the PORT STATUS command. After reading the data byte, the RXC bit is cleared.

**6.3.8 Port Buffer Send - Code: F8H + size + data, RS = 0**

Operational mode is dependant upon the byte sent with the 'Port Configure' command.

**6.3.8.1 Synchronous Mode**

A maximum of 128-bytes of data is buffered before transmission to the synchronous serial port. If the 'HNDSHK' bit is enabled, transmission is delayed until HB line is low.

**6.3.8.2 Asynchronous Mode**

A maximum of 128-bytes of data is buffered before transmission to the asynchronous serial port. If the 'HNDSHK' bit is enabled, transmission is delayed until HB line is low.

**6.3.9 Extended Port and Serial Command Examples**

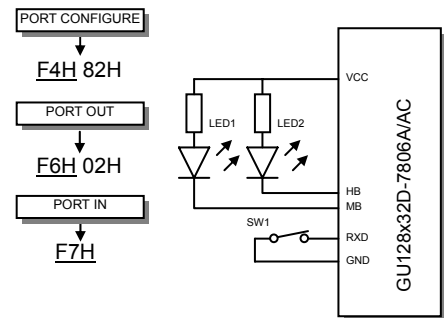
**6.3.9.1 Port I/O Mode**

The following example demonstrates the use of the port output command to power two LED's and the port input command to read a switch status. Command bytes that are underlined should be sent with RS line low:

Set RXD to input and other ports to outputs.

Turn on LED 1 and 2 by setting HB and MB low.

Enable internal pull-up resistor on RXD. Read port, D1 is the switch state.



6.3.9.2 Synchronous Mode

The following example demonstrates the use of the synchronous serial commands to communicate with another module. Command bytes that are underlined should be sent with RS line low:

Enable synchronous mode with busy test, set clock speed to 125 kHz, data clocked on falling edge, default lock level is low.

Send byte 55H to synchronous port when HB line is low.

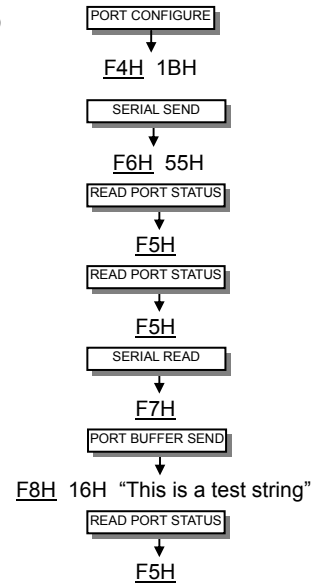
Read current status, wait until TXC is set.

Read current status, check if RXC is set.

Read received byte.

Send character string when HB is low.

Read current status, wait until TXC is set.



6.3.9.3 Asynchronous Mode

The following example demonstrates the use of the asynchronous serial commands to communicate with another module. Command bytes that are underlined should be sent with RS line low:

Enable asynchronous mode with busy test, set interface to 19200E.

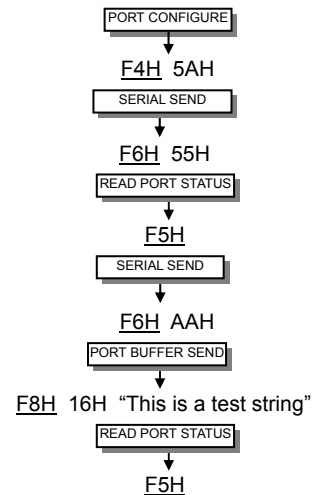
Send byte 55H to asynchronous port when HB line is low.

Read current status. Wait until TXC is set.

Send byte AAH to asynchronous port when HB line is low.

Send character string when HB line is low.

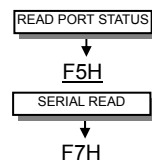
Read current status and wait until TXC is set.



The next example will demonstrate a data read:

Read port status.

Repeat until RXC is set then read the received byte.



**6.4 Additional Serial Commands**

The following commands can only be used in serial communication mode.

**6.4.1 Set RS Low - Code: 0FH, RS = 0**

Set the RS line low for the following byte only.

**6.4.2 Data Read - Code: FEH, RS = 0**

Read data at current cursor position.

**6.4.3 Read Cursor Position - Code: FFH, RS = 0**

Read current cursor position.

7 Character Sets

7.1 Mini 5x5 Font

7.1.1 5x5 Main Character Set

	00	01	02	03	04	05	06	07	08	09	0A	0B	0C	0D	0E	0F
20		!	l	h	k	x	s	9	(	)	*	+	,	-	.	/
30	0	1	2	3	4	5	6	7	8	9	:	;	<	=	>	?
40	a	b	c	d	e	f	g	h	i	j	k	l	m	n	o	
50	p	q	r	s	t	u	v	w	x	y	z	[	]	^	_	

7.2 5x7 Font

7.2.1 5x7 Main Character Set

	00	01	02	03	04	05	06	07	08	09	0A	0B	0C	0D	0E	0F
10										¡	¢	£	¥	¦	§	¨
20		!	"	#	\$	%	&	'	(	)	*	+	,	-	.	/
30	0	1	2	3	4	5	6	7	8	9	:	;	<	=	>	?
40	a	b	c	d	e	f	g	h	i	j	k	l	m	n	o	
50	p	q	r	s	t	u	v	w	x	y	z	[	]	^	_	
60	`	a	b	c	d	e	f	g	h	i	j	k	l	m	n	o
70	p	q	r	s	t	u	v	w	x	y	z	{		}	~	€

7.2.2 5x7 Katakana Extended Character Set

	00	01	02	03	04	05	06	07	08	09	0A	0B	0C	0D	0E	0F
80	ã	ä	å	ä	å	æ	ø	ø	ø	ü	ü	\	¸	¸	¸	¸
90	æ	æ	æ	æ	æ	ø	ø	ø		ç	ç	ç	ç	ç	ç	ç
A0		¸	¸	¸	¸	¸	¸	¸	¸	¸	¸	¸	¸	¸	¸	¸
B0	—	¸	¸	¸	¸	¸	¸	¸	¸	¸	¸	¸	¸	¸	¸	¸
C0	¸	¸	¸	¸	¸	¸	¸	¸	¸	¸	¸	¸	¸	¸	¸	¸
D0	¸	¸	¸	¸	¸	¸	¸	¸	¸	¸	¸	¸	¸	¸	¸	¸
E0	¸	¸	¸	¸	¸	¸	¸	¸	¸	¸	¸	¸	¸	¸	¸	¸
F0	p	q	r	s	t	u	v	w	x	y	z	{		}	~	€



7.2.3 5x7 International Extended Character Set (GU128x32D-7806A Only)

	00	01	02	03	04	05	06	07	08	09	0A	0B	0C	0D	0E	0F
80	É	°	ÿ	ı	Ł	ł	ŕ	ó	ē	ñ	θ	λ	π	τ	φ	ω
90	Σ	Ω	Ξ	×	÷	∅	∞	∠	∆	≠	Γ	∂	∫	∞	∞	∞
A0		ı	ı	ı	ı	ı	ı	ı	ı	ı	ı	ı	ı	ı	ı	ı
B0	°	±	²	³	´	µ	¶	.	,	ı	ı	ı	ı	ı	ı	ı
C0	À	Á	Â	Ã	Ä	Å	Æ	Ç	È	É	Ê	Ë	Ĭ	Í	Î	Ï
D0	Ð	Ñ	Ò	Ó	Ô	Õ	×	Ø	Ù	Ú	Û	Ü	Ý	Þ	ß	
E0	à	á	â	ã	ä	å	æ	ç	è	é	ê	ë	ì	í	î	ï
F0	ó	ñ	ò	ó	ô	õ	÷	ø	ù	ú	û	ü	ý	þ	ÿ	

7.2.4 5x7 Cyrillic Extended Character Set (GU128x32D-7806AC Only)

	00	01	02	03	04	05	06	07	08	09	0A	0B	0C	0D	0E	0F
80		È	Ђ	Ɔ	Ɔ	Ɔ	Ɔ	Ɔ	Ɔ	Ɔ	Ɔ	Ɔ	Ɔ	Ɔ	Ɔ	Ɔ
90	Ñ	È	Ђ	Ɔ	Ɔ	Ɔ	Ɔ	Ɔ	Ɔ	Ɔ	Ɔ	Ɔ	Ɔ	Ɔ	Ɔ	Ɔ
A0	À	Á	Â	Ã	Ä	Å	Æ	Ç	È	É	Ê	Ë	Ĭ	Í	Î	Ï
B0	à	á	â	ã	ä	å	æ	ç	è	é	ê	ë	ì	í	î	ï
C0	А	Б	В	Г	Д	Е	Ж	З	И	Й	К	Л	М	Н	О	П
D0	Р	С	Т	У	Ф	Х	Ц	Ч	Ш	Щ	Ъ	Ы	Ь	Э	Ю	Я
E0	а	б	в	г	д	е	ж	з	и	й	к	л	м	н	о	п
F0	р	с	т	у	ф	х	ц	ч	ш	щ	ъ	ы	ь	э	ю	я

7.3 7x7 Font (LCD Emulation)

7.3.1 7x7 Main Character Set

	00	01	02	03	04	05	06	07	08	09	0A	0B	0C	0D	0E	0F
10			▣	▣	▣	▣	▣			♪	♪	♪	♪	♪	♪	♪
20		!	"	#	\$	%	&	'	(	)	*	+	,	-	.	/
30	0	1	2	3	4	5	6	7	8	9	:	;	<	=	>	?
40	a	A	B	C	D	E	F	G	H	I	J	K	L	M	N	O
50	P	Q	R	S	T	U	V	W	X	Y	Z	[	]	^	_	
60	`	a	b	c	d	e	f	g	h	i	j	k	l	m	n	o
70	P	q	r	s	t	u	v	w	x	y	z	{		}	→	←

NOTE: UDF characters are available using 7x7 font only.

7.3.2 7x7 Katakana Extended Character Set

	00	01	02	03	04	05	06	07	08	09	0A	0B	0C	0D	0E	0F
80	À	Á	Â	Ã	Ä	Å	Æ	Ö	ø	Ø	Ù	Ú	Û	Ü	Ý	Ë
90	Ê	Ë	Ë	Ë	Ë	Ë	Ë	Ë	Ë	Ë	Ë	Ë	Ë	Ë	Ë	Ë
A0		ã	ä	å	æ	ç	ç	ç	ç	ç	ç	ç	ç	ç	ç	ç
B0	—	ア	イ	ウ	エ	オ	カ	キ	ク	コ	サ	シ	ス	セ	ソ	
C0	タ	チ	ツ	テ	ト	ナ	ニ	ノ	ネ	ヌ	フ	ヒ	フ	ハ	ホ	マ
D0	ミ	ム	メ	モ	ヤ	ユ	ヨ	リ	ル	ロ	ワ	ヰ	ヱ	ヰ	ヱ	ヰ
E0	α	β	β	β	β	β	β	β	β	β	β	β	β	β	β	β
F0	P	q	β	∞	Ω	Ω	Σ	π	α	β	γ	δ	ε	ζ	η	θ

7.3.3 7x7 International Extended Character Set (GU128x32D-7806A Only)

	00	01	02	03	04	05	06	07	08	09	0A	0B	0C	0D	0E	0F
80	€	¢	ƒ	ℓ	Ł	α	γ	δ	ε	η	θ	λ	π	τ	φ	ω
90	Σ	Ω	≡	×	÷	∅	∞	∫	∂	∂	≠	Γ	∂	∞	∞	∞
A0		ı	ϕ	ϵ	ϵ	€	ı	ı	ı	ı	ı	ı	ı	ı	ı	ı
B0	°	±	²	³	´	µ	¶	-	.	ı	°	»	¼	½	¾	¿
C0	À	Á	Â	Ã	Ä	Å	Æ	Ç	È	É	Ê	Ë	Ì	Í	Î	Ï
D0	Ð	Ñ	Ò	Ó	Ô	Õ	Ö	×	Ø	Ù	Ú	Û	Ü	Ý	Þ	ß
E0	à	á	â	ã	ä	å	æ	ç	è	é	ê	ë	ì	í	î	ï
F0	ð	ñ	ò	ó	ô	õ	ö	÷	ø	ù	ú	û	ü	ý	þ	ÿ

7.3.4 7x7 Cyrillic Extended Character Set (GU128x32D-7806AC Only)

	00	01	02	03	04	05	06	07	08	09	0A	0B	0C	0D	0E	0F
80		ѐ	б	р	ѳ	і	ї	Ј	љ	ћ	ћ	ѣ	у	у	џ	џ
90	Ѡ	ѡ	Ѣ	ѣ	Ѥ	ѥ	Ѧ	ѧ	Ѩ	ѩ	Ѫ	ѫ	Ѭ	ѭ	Ѯ	ѯ
A0	Ѱ	ѱ	Ѳ	ѳ	Ѵ	ѵ	Ѷ	ѷ	Ѹ	ѹ	Ѻ	ѻ	Ѽ	ѽ	Ѿ	ѿ
B0	Ѡ	ѡ	Ѣ	ѣ	Ѥ	ѥ	Ѧ	ѧ	Ѩ	ѩ	Ѫ	ѫ	Ѭ	ѭ	Ѯ	ѯ
C0	А	Б	В	Г	Д	Е	Ж	З	И	Й	К	Л	М	Н	О	П
D0	Р	С	Т	У	Ф	Х	Ц	Ч	Ш	Щ	Ъ	Ы	Ь	Э	Ю	Я
E0	а	б	в	г	д	е	ж	з	и	й	к	л	м	н	о	п
F0	р	с	т	у	ф	х	ц	ч	ш	щ	ъ	ы	ь	э	ю	я

7.4 7x15 Font

7.4.1 7x15 Main Character Set

	00	01	02	03	04	05	06	07	08	09	0A	0B	0C	0D	0E	0F
10										♪	♫	♬	♭	♮	♯	♯
20		!	"	#	\$	%	&	'	(	)	*	+	,	-	.	/
30	0	1	2	3	4	5	6	7	8	9	:	;	<	=	>	?
40	@	A	B	C	D	E	F	G	H	I	J	K	L	M	N	O
50	P	Q	R	S	T	U	V	W	X	Y	Z	[	¥	]	^	_
60	`	a	b	c	d	e	f	g	h	i	j	k	l	n	o	o
70	p	q	r	s	t	u	v	w	x	y	z	{		}	←	→

7.4.2 7x15 Katakana Extended Character Set

	00	01	02	03	04	05	06	07	08	09	0A	0B	0C	0D	0E	0F	
80	À	Á	Â	Ã	ä	Å	Æ	Ö	ö	Ø	ø	Ù	ù	\	z	~	Š
90	Æ	æ	£	℞	⊙	○	⊕	◇	!	Ç	△	∠	∩	∪	↑	↓	
A0	•	ƒ	„	、	•	ヲ	ア	イ	ウ	エ	オ	カ	キ	ク	ケ	コ	
B0	ー	ア	イ	ウ	エ	オ	カ	キ	ク	ケ	コ	サ	シ	ス	セ	ソ	
C0	タ	チ	ツ	テ	ト	ナ	ニ	ヌ	ネ	ノ	ハ	ヒ	フ	ヘ	ホ	マ	
D0	ミ	ム	メ	モ	ユ	ヨ	ラ	リ	ル	レ	ロ	ワ	ヰ	◦	°		
E0	α	ä	ß	ε	μ	σ	ρ	g	γ	ι	j	×	Φ	ε	ñ	ö	
F0	∂	∂	θ	ω	Ω	ü	Σ	π	Σ	γ	≠	≠	≠	÷		■	

7.4.3 7x15 International Extended Character Set (GU128x32D-7806A Only)

	00	01	02	03	04	05	06	07	08	09	0A	0B	0C	0D	0E	0F
80	È	É	Ê	Ë	Ì	Í	Î	Ï	Ð	Ñ	Ò	Ó	Ô	Õ	Ö	×
90	Σ	Ω	Ξ	Χ	÷	°	¿	Ε	Ζ	Δ	≠	Γ	α	∫	ω	☒
A0		ı	ϕ	£	σ	€	ı	§	¨	θ	α	«	™		©	™
B0	±	±	±	±	±	±	±	±	±	±	±	±	±	±	±	±
C0	À	Á	Â	Ã	Ä	Å	Æ	Ç	È	É	Ê	Ë	Ì	Í	Î	Ï
D0	Ð	Ñ	Ò	Ó	Ô	Õ	Ö	×	Ø	Ù	Ú	Û	Ü	Ý	Þ	ß
E0	à	á	â	ã	ä	å	æ	ç	è	é	ê	ë	ì	í	î	ï
F0	ð	ñ	ò	ó	ô	õ	ö	÷	ø	ù	ú	û	ü	ý	þ	ÿ

7.4.4 7x15 Cyrillic Extended Character Set (GU128x32D-7806AC Only)

	00	01	02	03	04	05	06	07	08	09	0A	0B	0C	0D	0E	0F
80		Ё	ё	Г	Г	Є	І	І	Ј	Љ	Љ	Һ	Ъ	У	У	Ѹ
90	Ѻ	ё	ь	Г	Є	і	і	ј	љ	љ	һ	ъ	у	у	Ѹ	Ѹ
A0	А	О	О	Д	Д	Е	Е	Е		Њ	О	Р	Ѕ	Т	У	О
B0	а	о	о	д	д	е	е	е	і	њ	о	р	ѕ	т	у	о
C0	А	Б	В	Г	Д	Е	Ж	З	И	Й	К	Л	М	Н	О	П
D0	Р	С	Т	У	Ф	Х	Ц	Ч	Ш	Щ	Ъ	Ы	Ь	Э	Ю	Я
E0	а	б	в	г	д	е	ж	з	и	й	к	л	м	н	о	п
F0	р	с	т	у	ф	х	ц	ч	ш	щ	ъ	ы	ь	э	ю	я

7.5 10x14 Font

7.5.1 10x14 Main Character Set

	00	01	02	03	04	05	06	07	08	09	0A	0B	0C	0D	0E	0F
10										♪	°c	°F	▼	▶	◀	▲
20		!	"	#	\$	%	&	'	(	)	*	+	,	-	.	/
30	0	1	2	3	4	5	6	7	8	9	:	:	<	=	>	?
40	a	A	B	C	D	E	F	G	H	I	J	K	L	M	N	O
50	P	Q	R	S	T	U	V	W	X	Y	Z	[	¥	]	^	_
60	`	a	b	c	d	e	f	g	h	i	j	k	l	m	n	o
70	p	q	r	s	t	u	v	w	x	y	z	{		}	→	←

7.5.2 10x14 Katakana Extended Character Set

	00	01	02	03	04	05	06	07	08	09	0A	0B	0C	0D	0E	0F
80	Ä	Å	À	Á	Â	Ã	Ä	Å	Ö	ø	Ü	ü	\	*	~	§
90	Æ	æ	£	℞	⊙	⊙	⊙	⊙	¡	©	△	◁	▷	↶	↷	↸
A0		ㇰ	ㇱ	ㇲ	ㇳ	ㇴ	ㇵ	ㇶ	ㇷ	ㇸ	ㇹ	ㇺ	ㇻ	ㇼ	ㇽ	ㇾ
B0	ー	ㇿ	㊀	㊁	㊂	㊃	㊄	㊅	㊆	㊇	㊈	㊉	㊊	㊋	㊌	㊍
C0	㊎	㊏	㊑	㊒	㊓	㊔	㊕	㊖	㊗	㊘	㊙	㊚	㊛	㊜	㊝	㊞
D0	㊟	㊠	㊡	㊢	㊣	㊤	㊥	㊦	㊧	㊨	㊩	㊪	㊫	㊬	㊭	㊮
E0	α	ä	ß	ε	μ	σ	ρ	ϑ	γ	ι	υ	*	φ	±	ñ	ö
F0	β	δ	θ	∞	Ω	Ü	Σ	π	×	γ	¥	ℳ	ℳ	÷		■



7.5.3 10x14 International Extended Character Set (GU128x32D-7806A Only)

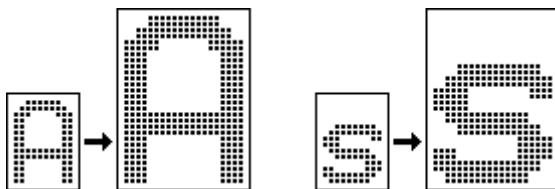
	00	01	02	03	04	05	06	07	08	09	0A	0B	0C	0D	0E	0F
80	É	Ê	Ë	Ì	Í	Î	Ï	Ð	Ñ	Ò	Ó	Ô	Õ	Ö	×	
90	Σ	Ω	Ξ	Χ	Ψ	Φ	Γ	Δ	Ε	Ζ	Η	Θ	Α	Β	⊗	
A0		ı	ı	ı	ı	ı	ı	ı	ı	ı	ı	ı	ı	ı	ı	
B0	ı	ı	ı	ı	ı	ı	ı	ı	ı	ı	ı	ı	ı	ı	ı	
C0	Ä	Å	Ä	Å	Ä	Å	Æ	Ç	È	É	Ê	Ë	Ì	Í	Î	
D0	Ð	Ñ	Ö	Ö	Ö	Ö	×	Ø	Ù	Ú	Û	Ü	Ý	Þ	ß	
E0	Š	Š	Š	Š	Š	Š	Š	Š	Š	Š	Š	Š	Š	Š	Š	
F0	Š	Š	Š	Š	Š	Š	Š	Š	Š	Š	Š	Š	Š	Š	Š	

7.5.4 10x14 Cyrillic Extended Character Set (GU128x32D-7806AC Only)

	00	01	02	03	04	05	06	07	08	09	0A	0B	0C	0D	0E	0F
80		Ё	Ђ	Ѓ	Є	І	Ї	Ј	Љ	Њ	Ћ	Ђ	Ј	У	У	Ѹ
90	Њ	ё	ђ	ѓ	є	і	ї	ј	љ	њ	ќ	ђ	ј	у	у	Ѹ
A0	А	Ѓ	Ѓ	Д	Ђ	Є	Є	Є		Њ	Њ	Њ	Ѓ	Ѓ	Ѓ	Ѓ
B0	Ѓ	Ѓ	Ѓ	Д	Ђ	Є	Є	Є	І	Њ	Њ	Њ	Ѓ	Ѓ	Ѓ	Ѓ
C0	А	Б	В	Г	Д	Е	Ж	З	И	Й	К	Л	М	Н	О	П
D0	Р	С	Т	У	Ф	Х	Ц	Ч	Ш	Щ	Ъ	Ы	Ь	Э	Ю	Я
E0	а	б	в	г	д	е	ж	з	и	й	к	л	м	н	о	п
F0	р	с	т	у	ф	х	ц	ч	ш	щ	ъ	ы	ь	э	ю	я

7.6 20x28 Font

The 20x28 Font characters are produced within the VFD module by pixel-doubling of the 10x14 Font characters as shown below. Each single pixel from the 10x14 character is replaced by 2x2 pixels for the 20x28 character.



7.6.1 20x28 Main Character Set

The characters shown in Section 7.5.1 are pixel-doubled.

7.6.2 20x28 Katakana Extended Character Set

The characters shown in Section 7.5.2 are pixel-doubled.

**7.6.3 20x28 International Extended Character Set (GU128x32D-7806A Only)**

The characters shown in Section 7.5.3 are pixel-doubled.

**7.6.4 20x28 Cyrillic Extended Character Set (GU128x32D-7806AC Only)**

The characters shown in Section 7.5.4 are pixel-doubled.

## 8 Setup

### 8.1 Jumpers

No.	Function	Default	Section
J1	Control Line Pull-Up Function	1–2	8.1.5
J2	Parallel Interface Type	2–3	8.1.2
J3	CN1 Pin 3 Function	OPEN	8.1.4
J4	Parallel Interface Type	2–3	8.1.2
J6	Serial/Parallel Selection	OPEN	8.1.1
J5	Serial Selection	OPEN	8.1.3

#### 8.1.1 Serial / Parallel Selection

J6	Interface
Open	Sync Serial / Parallel (default) - See Note
Link	Asynchronous Serial

Note: Synchronous enabled with parallel. The first received byte disables the other.

#### 8.1.2 Parallel Interface Type (M68 / i80)

J2	J4	Mode	Signals
1–2	1–2	i80	Pin 5 = /WR, Pin 6 = /RD
2–3	2–3	M68	Pin 5 = R/W, Pin 6 = E

#### 8.1.3 Asynchronous Serial Mode

J5			Configuration
1–2	3–4	7–8	
O	O	O	9600,N,8,1
L	O	O	19200,N,8,1
O	L	O	38400,N,8,1
X	X	L	Self Test Mode

Note: To enable Asynchronous Serial Mode connect pin 4 and 6 on CN2 (LINK1 and LINK2), Link J6 and enable i80 Mode on J2 and J4.

Note: All J5 links & J6 should be open for parallel operation.

#### 8.1.4 CN1 Pin 3 Function

J3	Function
2–3	/Reset
1–2	Busy

### 8.1.5 Control Line Pull-Up Function

J1	Function
1–2	RS, E, R/W = Pull up to VCC (default)
2–3	RS, E, R/W = Pull down to GND

## 9 Connectors

### 9.1 Parallel interface connector (Fourteen through holes) – CN1

Pin No.	Signal name	Function	Direction
1	GND	Ground	Input
2	VCC	Power supply	Input
3	NC *	Non connection	—
4	RS	Switch signal	Input
5	R/W	Read /Write select	Input
6	E	Enable	Input
7	D0	Data input	Input/output
8	D1	Data input	Input/output
9	D2	Data input	Input/output
10	D3	Data input	Input/output
11	D4	Data input	Input/output
12	D5	Data input	Input/output
13	D6	Data input	Input/output
14	D7(PBUSY)	Data input	Input/output

\*Note: Pin3 can be changed to /RESET or BUSY terminal, and selectable by jumper J3 (2-3) or J3 (1-2).

### 9.2 Serial Interface Connector (Ten through holes) – CN2

#### 9.2.1 Asynchronous Serial Interface Selected

Pin No.	Signal name	Function	Direction
1	VCC	Power supply	Input
2	NC	Not Connected	—
3	RXD	Receive	Input
4	LINK1	—	Link
5	GND	Ground	Input
6	LINK2	—	Link
7	TXD	Transmit	Output
8	/RES	Reset	Input
9	MB	Module Busy	Output
10	HB	Host Busy	Input

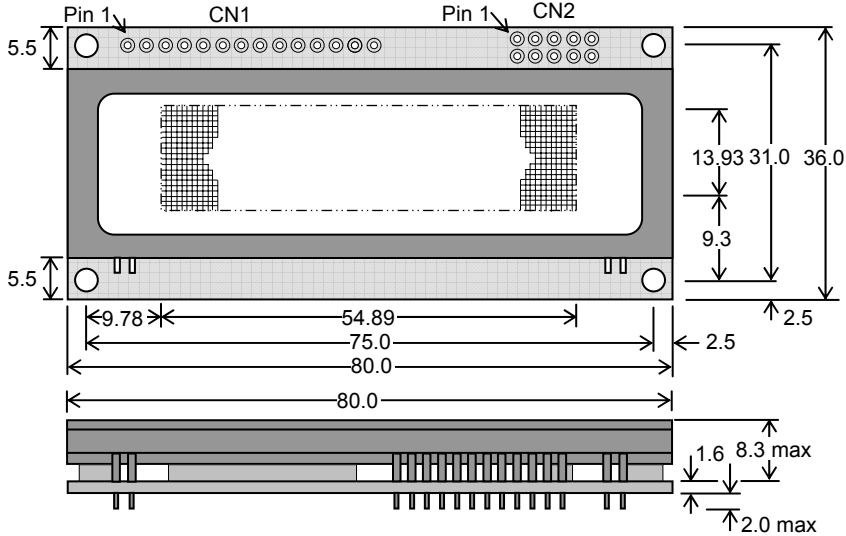
**9.2.2 Synchronous Serial Interface Selected**

Pin No.	Signal name	Function	Direction
1	VCC	Power supply	Input
2	SCK	Display clock	Input
3	/SS	SPI Select	Input
4	SIN	Data receive	Input
5	GND	Ground	Input
6	SOUT	Data Transmit	Output
7	NC	Not Connected	—
8	/RESET	Reset	Input
9	MB	Module Busy	Output
10	HB	Host Busy	Input

10 Notation of firmware version

The firmware version is written on the underside of the printed circuit board.

11 Outline Drawing



Dimensions in mm & subject to tolerances.

Mounting holes 3.2mm dia.

## 12 Notice for the Cautious Handling of VFD Modules

### Handling and Usage Precautions:

Please carefully follow the appropriate product application notes for proper usage, safety handling, and operation standards for maximum performance.

#### [VFD tubes are made of glass]

- Because the edges of the VFD glass-envelop are not smooth, it is necessary to handle carefully to avoid injuries to your hands
- Please avoid breaking the VFD glass-envelop to prevent injury from sharp glass particles.
- The tip of the exhaust pipe is fragile so avoid shock from impact.
- It is recommended to allow sufficient open space surrounding the exhaust pipe to avoid possible damage.
- Please design the PCB for the VFD-module within 0.3 mm warping tolerance to avoid any forces that may damage the display due to PCB distortion causing a breakdown of the electrical circuit leading to VFD failure.

#### [High voltage]

- Avoid touching conductive electrical parts, because the VFD-module uses high voltage exceeding 30~100 Volts.
- Even when electric power is turned off, it may take more than one minute for the electrical current to discharge.

#### [Cable connection]

- Do not unplug the power and/or data cables of VFD-modules during operating condition because unrecoverable damage may result.
- Sending input signals to the VFD-module during a power off condition sometimes causes I/O port damage.
- It is recommended to use a 30 cm or shorter signal cable to prevent functional failures.

#### [Electrostatic charge]

- VFD-modules need electrostatic free packaging and protection from electrostatic charges during handling and usage.

#### [Structure]

- During operation, VFD and VFD-modules generate heat. Please consider sufficient heat radiation dissipation using heat sink solutions.
- We prefer to use UL grade materials or components in conjunction with VFD-modules.
- Wrap and twist motion causes stress and may break VFDs & VFD modules. Please adhere to allowances within 0.3mm at the point of attachment.

#### [Power]

- Apply regulated power to the VFD-module within specified voltages to protect from failures.
- Because some VFD-modules may consume in rush current equal to twice the typical current at power-on timing, we recommend using a sufficient power capability and quick starting of the power regulator.
- VFD-module needs a specified voltage at the point of connection. Please use an adequate power cable to avoid a decrease in voltage. We also recommend inserting a power fuse for extra protection.

#### [Operating consideration]

- Illuminating phosphor will decrease in brightness during extended operation. If a fixed pattern illuminates for an extended period, (several hours), the phosphor efficiency will decrease compared to the non operating phosphor causing a non uniform brightness among pixels. Please consider programming the display patterns to use all phosphor segments evenly. Scrolling may be a consideration for a period of time to refresh the phosphor condition and improve even illumination to the pixels.
- We recommend using a signal cable 30cm or less to avoid some possible disturbances to the signal.

#### [Storage and operating environment]

- Please use VFD-modules under the recommended specified environmental conditions. Salty, sulphur and dusty environments may damage the VFD-module even during storage.

#### [Discard]

- Some VFDs contain a small amount of cadmium in the phosphor and lead in the solder. When discarding VFDs or VFD-modules, please adhere to governmental related laws or regulations.

#### [Others]

- Although the VFD-module is designed to be protected from electrical noise, please plan your circuitry to exclude as much noise as possible.
- Do not reconstruct or repair the VFD-module without our authorization. We cannot assure the quality or reliability of unauthorized reconstructed VFD-modules.

#### Notice:

We do not authorize the use of any patents that may be inherent in these specifications.

Neither whole nor partial copying of these specifications are permitted without our approval.

If necessary, please ask for assistance from our sales consultant.

This product is not designed for military, aerospace, medical or other life-critical applications. If you choose to use this product for these applications, please ask us for prior consultation or we cannot take responsibility for problems that may occur.