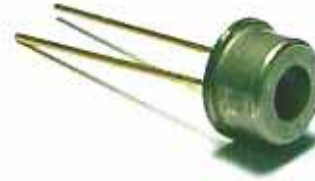


# UV-A Sensor

## GUVA-T11GD



- Features**
- Gallium Nitride Based Material
  - Schottky-type Photodiode
  - Photovoltaic Mode Operation
  - Good Visible Blindness
  - High Responsivity & Low Dark Current



- Applications**
- Full UV Band Monitoring
  - Pure UV-A Monitoring
  - UV Index Monitoring
  - Sterilization Lamp Monitoring

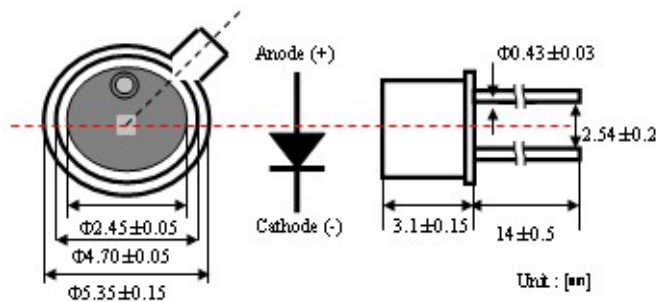
### Absolute Maximum Ratings

Parameter	Symbol	Min.	Max.	Unit	Remark
Storage Temperature	T <sub>st</sub>	-40	90		
Operating Temperature	T <sub>op</sub>	-30	85		
Reverse Voltage	V <sub>r, max.</sub>		5	V	
Forward Current	I <sub>f, max.</sub>		1	mA	
Soldering Temperature	T <sub>sol</sub>		260		within 10 sec.

### Characteristics (at 25 °C)

Parameter	Symbol	Min.	Typ.	Max.	Unit	Test Conditions
Dark Current	I <sub>d</sub>			1	nA	V <sub>r</sub> = 0.1 V
Photo Current	I <sub>ph</sub>		89		nA	UVA Lamp, 1mW/cm <sup>2</sup>
Temperature Coefficient	I <sub>tc</sub>		0.05		%/°C	UVA Lamp
Responsivity	R		0.18		A/W	λ = 350 nm, V <sub>r</sub> = 0 V
Spectral Detection Range	λ	200		370	nm	
Breakdown Voltage	V <sub>BR</sub>		10			I <sub>r</sub> = 1 μA

### Outline Diagrams and Dimensions



### Responsivity Curve

