

5 Volt-Surface Mount

# Monolithic Amplifier

DC-7 GHz

## Product Features

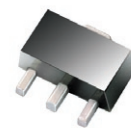
- Gain, 15 dB typ. at 100 MHz
- High Pout, P1dB 20 dBm typ.
- High IP3, 40 dBm typ. at 100 MHz
- Ruggedized design
- Fixed 5V operation
- Unconditionally stable
- Excellent ESD Protection
- Transient protected, US patent 6,943,629

## Typical Applications

- Base station infrastructure
- Portable Wireless
- CATV & DBS
- MMDS & Wireless LAN
- LTE

## General Description

GVA-82+ (RoHS compliant) is a wideband amplifier offering high dynamic range. Lead finish is SnAgNi. It has repeatable performance from lot to lot and is enclosed in a SOT-89 package. It uses patented Transient Protected Darlington configuration and is fabricated using InGaP HBT technology.



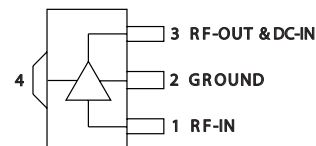
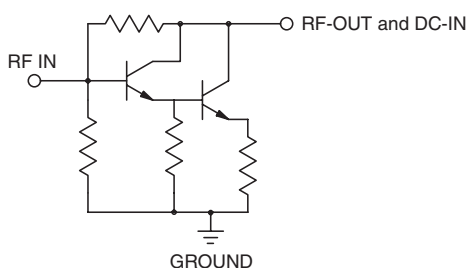
## GVA-82+

CASE STYLE: DF782  
PRICE: \$1.82 ea. QTY. (25)

+ RoHS compliant in accordance with EU Directive (2002/95/EC)

The +Suffix has been added in order to identify RoHS Compliance. See our web site for RoHS Compliance methodologies and qualifications.

## simplified schematic and pin description



Function	Pin Number	Description
RF IN	1	RF input pin. This pin requires the use of an external DC blocking capacitor chosen for the frequency of operation.
RF-OUT and DC-IN	3	RF output and bias pin. DC voltage is present on this pin; therefore a DC blocking capacitor is necessary for proper operation. An RF choke is needed to feed DC bias without loss of RF signal due to the bias connection, as shown in "Recommended Application Circuit", Fig. 2
GND	2,4	Connections to ground. Use via holes as shown in "Suggested Layout for PCB Design" to reduce ground path inductance for best performance.



P.O. Box 350166, Brooklyn, New York 11235-0003 (718) 934-4500 Fax (718) 332-4661 For detailed performance specs & shopping online see Mini-Circuits web site



The Design Engineers Search Engine Provides ACTUAL Data Instantly From MINI-CIRCUITS At: [www.minicircuits.com](http://www.minicircuits.com)

IF/RF MICROWAVE COMPONENTS

REV. OR  
M122194  
GVA-82+  
ED-12353A/2  
090325  
Page 1 of 5

**Electrical Specifications<sup>(1)</sup> at 25°C and 5V, unless noted**

Parameter	Condition (GHz)	Min.	Typ.	Max.	Units
Frequency Range <sup>(2)</sup>		DC		7	GHz
Gain	0.1	13.7	15.3	16.8	dB
	1.0		14.9		
	2.0	12.2	13.8	15.2	
	3.0		12.5		
	4.0	9.8	11.7	13.0	
	6.0		10.6		
	7.0		9.9		
Magnitude of Gain Variation versus Temperature <sup>(3)</sup> (values are negative)	0.1		0.0002	0.005	dB/°C
	1.0		0.0012		
	2.0		0.0020		
	3.0		0.0027		
	4.0		0.0037		
	6.0		0.0062		
	7.0		0.0108		
Input Return Loss	0.1	14.0	35.0		dB
	1.0		24.0		
	2.0		18.5		
	3.0		15.9		
	4.0		15.8		
	6.0		19.7		
	7.0		14.4		
Output Return Loss	0.1	9.0	17.7		dB
	1.0		15.7		
	2.0		12.3		
	3.0		10.8		
	4.0		10.0		
	6.0		10.9		
	7.0		10.5		
Reverse Isolation	2.0		23.6		dB
Output Power @ 1 dB compression	0.1	18.0	20.1		dBm
	1.0	18.0	20.1		
	2.0	18.0	20.6		
	3.0		20.6		
	4.0		20.2		
	6.0		18.2		
	7.0		18.2		
Output IP3	0.1	34.0	40.3		dBm
	1.0		38.0		
	2.0		36.0		
	3.0		34.3		
	4.0		32.7		
	6.0		31.0		
	7.0		30.9		
Noise Figure	0.1		6.5	8.0	dB
	1.0		6.6		
	2.0		6.6		
	3.0		6.8		
	4.0		6.9		
	6.0		7.5		
	7.0		8.2		
Group Delay	2.0		100		psec
Device Operating Voltage		4.8	5.0	5.2	V
Device Operating Current		90	106	120	mA
Device Current Variation vs. Temperature			70.5		µA/°C
Device Current Variation vs Voltage			0.038		mA/mV
Thermal Resistance, junction-to-ground lead			68		°C/W

<sup>(1)</sup> Measured on Mini-Circuits test board TB-313. See Characterization Test Circuit (Fig. 1)

<sup>(2)</sup> Guaranteed specification DC-7 GHz. \*Low frequency cut off determined by external coupling capacitors and RF Choke (RFC).

<sup>(3)</sup> (Gain at 85°C, Gain at -45°C)/130

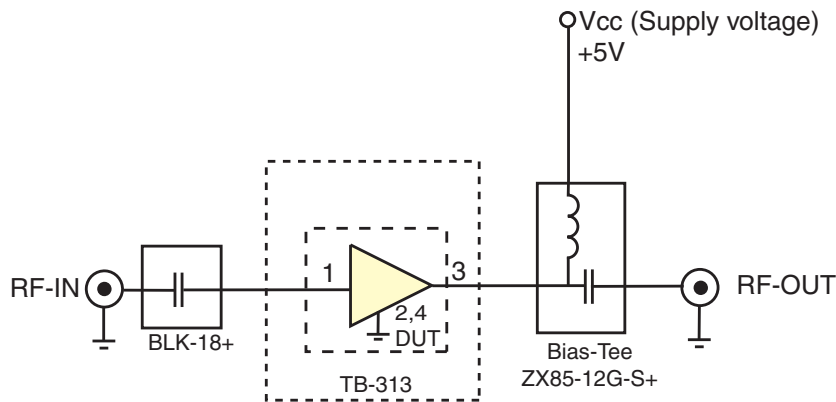


**Absolute Maximum Ratings**

Parameter	Ratings
Operating Temperature (ground lead)	-40°C to 85°C
Storage Temperature	-65°C to 150°C
Operating Current at 5V	160mA
Power Dissipation	0.84W
Input Power	20 dBm
DC Voltage on Pin 3	5.8V

Note:  
 Permanent damage may occur if any of these limits are exceeded.  
 Electrical maximum ratings are not intended for continuous normal operation.

**Characterization Test Circuit**

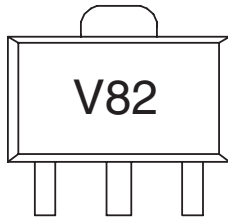


**Fig 1.** Block Diagram of Test Circuit used for characterization. (DUT soldered on Mini-Circuits Test Board TB-313)  
 Gain, Output power at 1dB compression (P1 dB) and output IP3 (OIP3) are measured using R&S Network Analyzer ZVA-24.  
 Noise Figure measured using Agilent's N5242A PNA-X microwave network analyzer.

**Conditions:**

1. Gain and Return loss: Pin= -25dBm
2. Output IP3 (OIP3): Two tones, spaced 1 MHz apart, 0 dBm/tone at output.

## Product Marking



## Additional Detailed Technical Information

Additional information is available on our web site. To access this information enter the model number on our web site home page.

### Performance data, graphs, s-parameter (S2P FILES) data set (.zip file)

#### Case Style: DF782 (SOT 89)

Plastic package, exposed paddle, lead finish: tin/silver/nickel

#### Tape & Reel: F55

#### Suggested Layout for PCB Design: PL-255

#### Evaluation Board: TB-410-82+

#### Environmental Ratings: ENV08T1

## Recommended Application Circuit

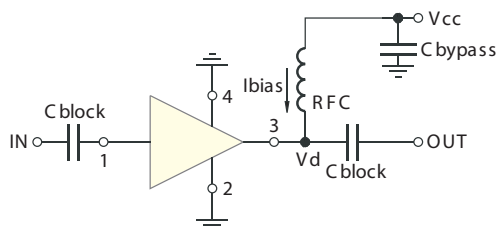


Fig 2. Test Board includes case, connectors, and components soldered to PCB

**ESD Rating**

Human Body Model (HBM): Class 1C (1000v to < 2000v) in accordance with ANSI/ESD STM 5.1 - 2001

Machine Model (MM): Class M2 (100V to < 200V) in accordance with ANSI/ESD STM 5.2 - 1999

**MSL Rating**

Moisture Sensitivity: MSL1 in accordance with IPC/JEDECJ-STD-020D

**MSL Test Flow Chart**

