

PAD	CONNECTION
1	Enable / disable
2	Not connected
3	Ground
4	Output
5	Not connected
6	Supply

## Features

- ▶ High stability for WiMAX, LAN etc
- ▶ Miniature SM package
- ▶ Low voltage supply
- ▶ Enable / disable tristate function
- ▶ Competitive pricing

## Enable / Disable Function

Input (pad 1)	Output (pad 4)
Open	Enabled
'1' level	Enabled
'0' level	High Impedance

## Specifications

- GXO-3332G: 1.8V supply**
- GXO-3332J: 2.5V supply**
- GXO-3332N: 3.0V supply**
- GXO-3332L: 3.3V supply**

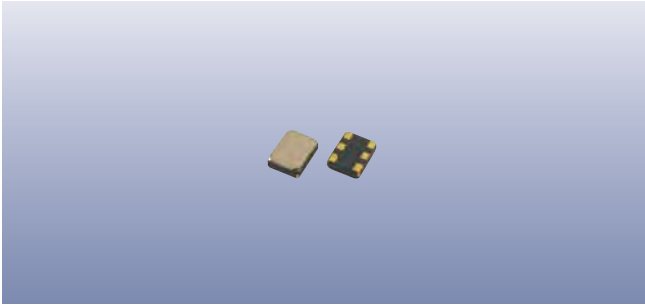
Parameters	Variant				Option Codes
	G	J	N	L	
Frequency range: 2.50 ~ 60.0MHz	■	■	■	■	
Frequency stability*: ±15ppm ±10ppm	■	■	■	■	E F
Operating temperature range: -40 to +85°C	■	■	■	■	
Storage temperature range: -40 to +85°C	■	■	■	■	
Supply voltage (V <sub>DD</sub> ): +1.8V (±10%) +2.5V (±10%) +3.0V (±10%) +3.3V (±10%)	■	■	■	■	
Supply current: 7mA max (3.1mA typ @ 40MHz, 2.5V)	■	■	■	■	
Logic levels: '0' level = 10%V <sub>DD</sub> max '1' level = 90%V <sub>DD</sub> min	■	■	■	■	
Start up time: 0.2ms typ	■	■	■	■	
Waveform symmetry: 45:55 max @ 50%V <sub>DD</sub>	■	■	■	■	
Driving ability: 15pF CMOS	■	■	■	■	
Rise / fall time: 5ns max	■	■	■	■	
Enable / disable function: Tristate (control via pad 1) (E/D times 100µs / 100µs typ)	■	■	■	■	
Stand-by current: 10µA max	■	■	■	■	
Period jitter RMS: 3ps typ	■	■	■	■	
Phase jitter RMS: 0.09ps typ, 12kHz~10MHz	■	■	■	■	
Phase noise: -145dBc/Hz typ @ 10kHz	■	■	■	■	

■ Standard. □ Optional - Please specify required code(s) when ordering

\* Frequency stability is inclusive of calibration @ 25°C, operating temperature range, supply voltage change, load change, reflow and ageing.


## Ordering Information

Product name + variant + option code + frequency  
 eg: **GXO-3332L/E 40.0MHz** 3.3V, ±15ppm  
**GXO-3332J/F 32.0MHz** 2.5V, ±10ppm



## Packaging & Handling

Production quantities supplied on T&R, 1k or 3k pcs per reel. Small quantities may be supplied on tape (no reel), or in bulk.

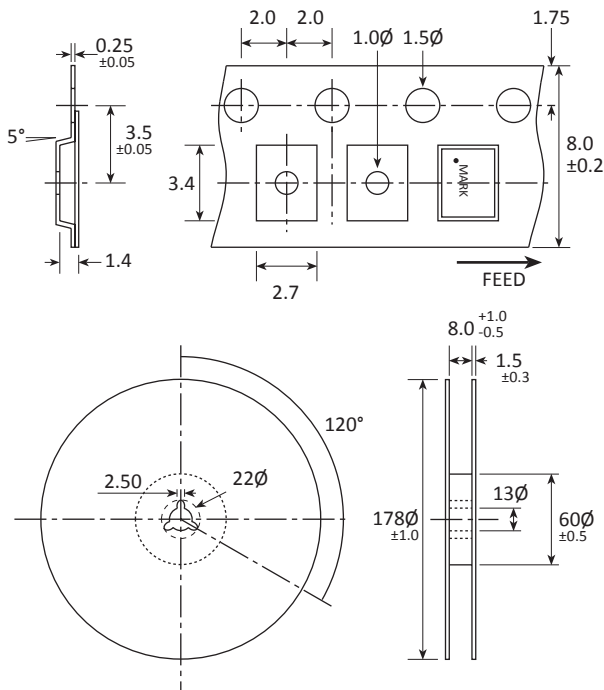
 Static sensitive product. Observe proper handling precautions

## Marking

DC FREQUENCY DC Marking type: Laser  
DC = Date code in YM, eg "CE" = May 2013

	A	B	C	D	E	F	G	H	J	K	L	M
Y	1	2	3	4	5	6	7	8	9	0		
M	Jan	Feb	Mar	Apr	May	Jun	Jul	Aug	Sep	Oct	Nov	Dec

## Tape & Reel Specification



Not to scale. Dimensions in mm. Tolerances ±0.1mm unless otherwise stated.

## Construction

- Ceramic body with gold-plated pads
- Metal lid, seam sealed

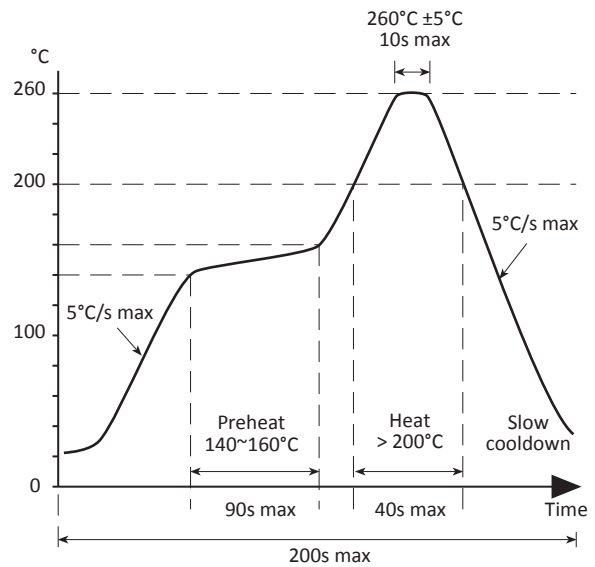
## Composition



This product is lead-free, and is fully compliant with the RoHS 2 directive 2011/65/EU



## Soldering Profile



Solder resistance: 260°C x 10 secs x 2.