



# 10 / 100Base Single Port Transformer

P/N: H1601CG



## Feature

- Designed to meet IEEE802.3 and ANSIX3.263 requirement.
- Primary inductance 350uH min. with 8mA DC Bias
- Operating temperature range from 0°C to +70°C
- Storage temperature range from -25°C to +125°C

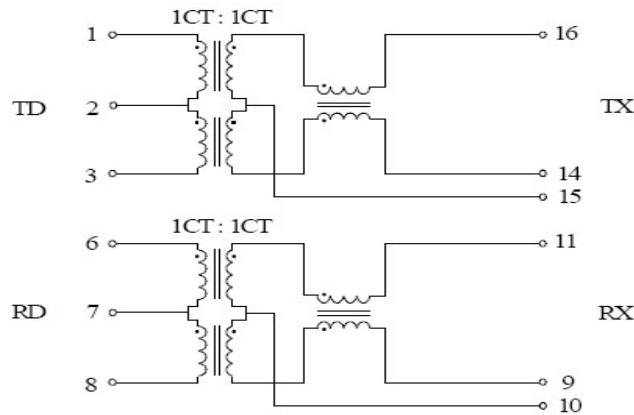
## Specification

Electrical Specifications @25°C									
Part Number	OCL(uH min) @100KHz/0.2V with 8mA DC Bias	Turns Ratio		Cross talk (dB min)			HI-POT (Vrms)		
		TX	RX	30MHz	60MHz	100MHz			
H1601CG	350	1CT:1CT	1CT:1CT	-40	-35	-30	1500		

continue									
Part Number	Insertion Loss (dB max)	Return Loss (dB min)					DCMR (dB min)		
		1-100MHz	1-30MHz	40MHz	50MHz	60-80MHz	100MHz	30MHz	60MHz
H1601CG	-1.0	-18	-14.4	-13.1	-12	-10	-40	-35	-30

## Schematic



## Mechanical

