

IO/100 BASE-T TRANSFORMER MODULES

Compliant With IEEE 802.3 standards including Baseline Wander Compensation

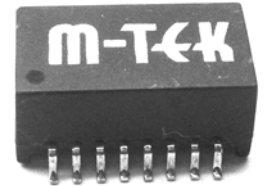
specification of 350uH OCL when biased at 8mA from 0°C to 70°C

Low Profile Surface Mount Packaging Designed For Hi-Temp Reflow Process (250°C peak)

Single Channel Interface For 10/100Mbps Ethernet Applications with CMC's tuned

to enhance EMC system performance.

For RoHS Part Add Suffix G.



ELECTRICAL SPECIFICATIONS @ 25°C (Operating Temperature 0°C to 70°C)

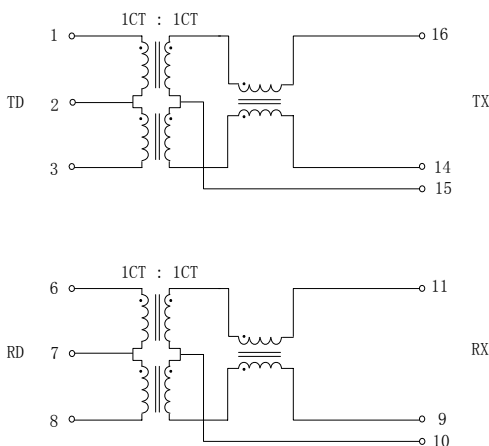
Part Number	Insertion Loss (dB max)		Return Loss (dB min)				CMRR (dBmin)		Crosstalk (dB min)	
	0.3-100MHz	1-30MHz	40MHz	50MHz	60MHz	80MHz	1-100MHz	30MHz	60MHz	100MHz
H16101SC	-1.1	-16	-16	-14.1	-12.5	-10	-30	-35.8	-30.8	-28.0
H16102SC	-1.1	-16	-16	-14.1	-12.5	-10	-30	-35.8	-30.8	-28.0
H16103SC*	-1.1	-16	-16	-14.1	-12.5	-10	-30	-35.8	-30.8	-28.0
H16107SC	-1.1	-16	-16	-14.1	-12.5	-10	-30	-35.8	-30.8	-28.0
H16117SC	-1.1	-16	-16	-14.1	-12.5	-10	-30	-35.8	-30.8	-28.0
H16119SC	-1.1	-16	-16	-14.1	-12.5	-10	-30	-35.8	-30.8	-28.0
H16120SC*	-1.1	-16	-16	-14.1	-12.5	-10	-30	-35.8	-30.8	-28.0
H16125SC	-1.1	-16	-16	-14.1	-12.5	-10	-30	-35.8	-30.8	-28.0
H16127SC	-1.1	-16	-16	-14.1	-12.5	-10	-30	-35.8	-30.8	-28.0
H16128SC	-1.1	-16	-16	-14.1	-12.5	-10	-30	-35.8	-30.8	-28.0
H16131SC*	-1.1	-16	-16	-14.1	-12.5	-10	-30	-35.8	-30.8	-28.0
H16137SC	-1.1	-16	-16	-14.1	-12.5	-10	-30	-35.8	-30.8	-28.0
H16138SC	-1.1	-16	-16	-14.1	-12.5	-10	-30	-35.8	-30.8	-28.0

Note : Isolation Voltage (HiPot) of 1500Vrms

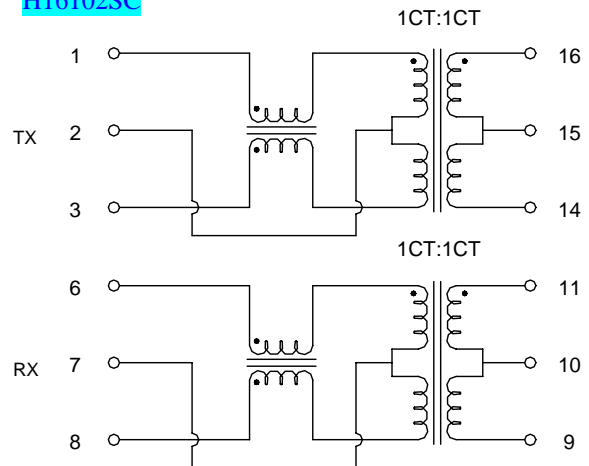
* with Extended Temperature(-40°C to +85°C)

SCHEMATICS

H16101SC, H16127MC, H16131MC



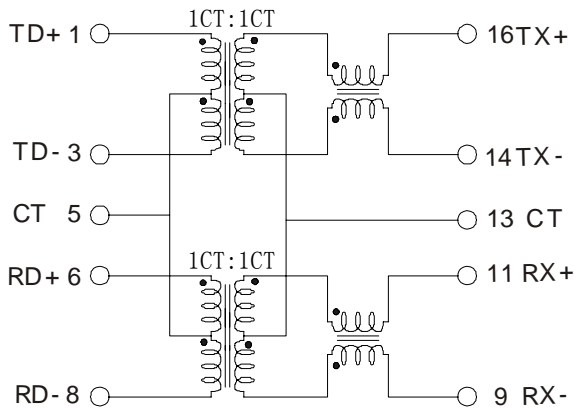
H16102SC



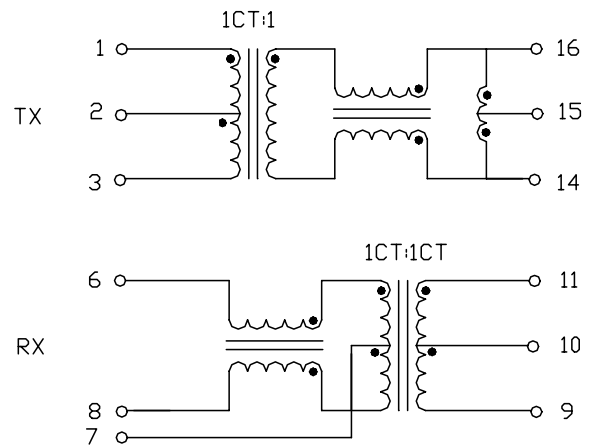
IO/IOO BASE-T TRANSFORMER MODULES

SCHEMATICS

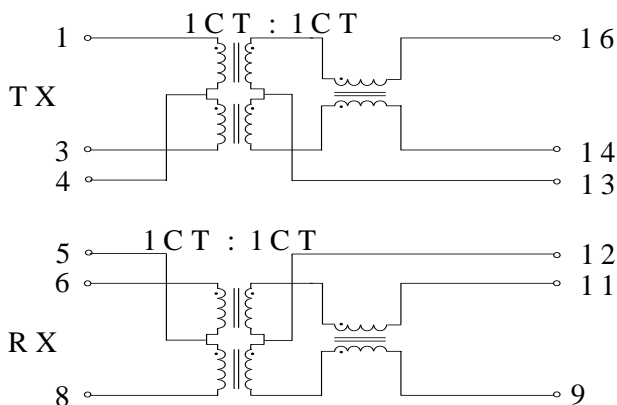
H16103SC, H16117SC



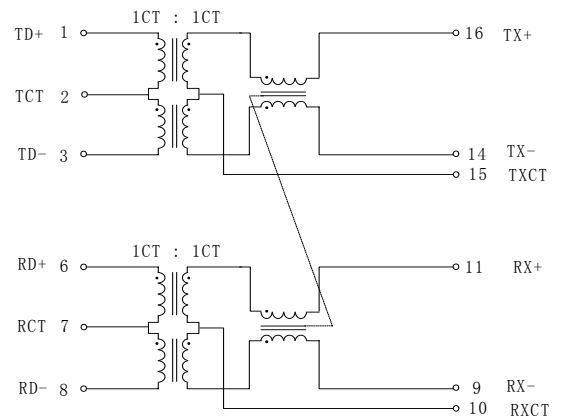
H16107SC



H16119SC

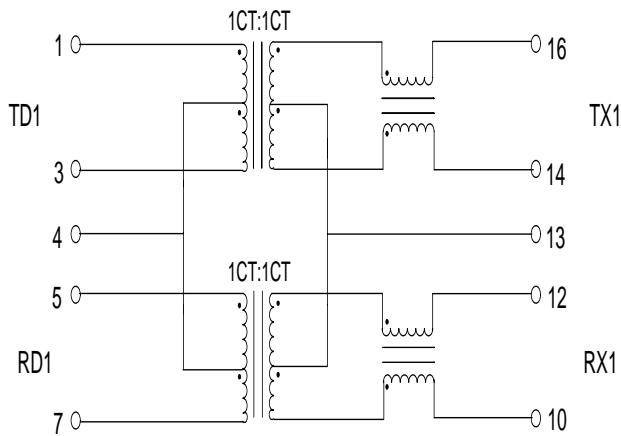


H16120SC

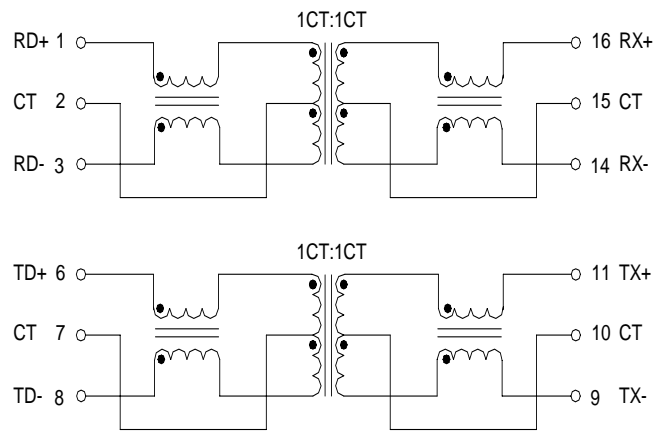


IO/IOO BASE-T TRANSFORMER MODULES

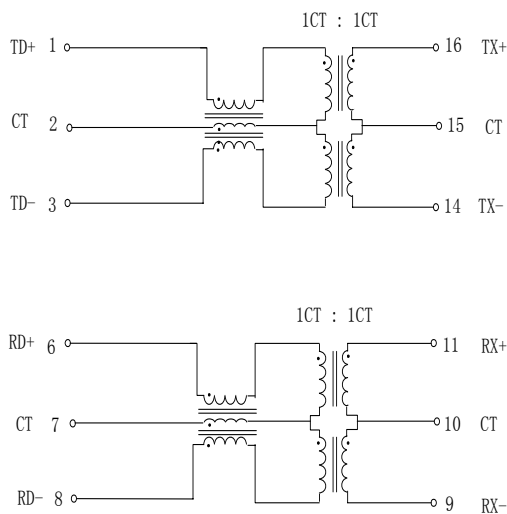
H16125SC



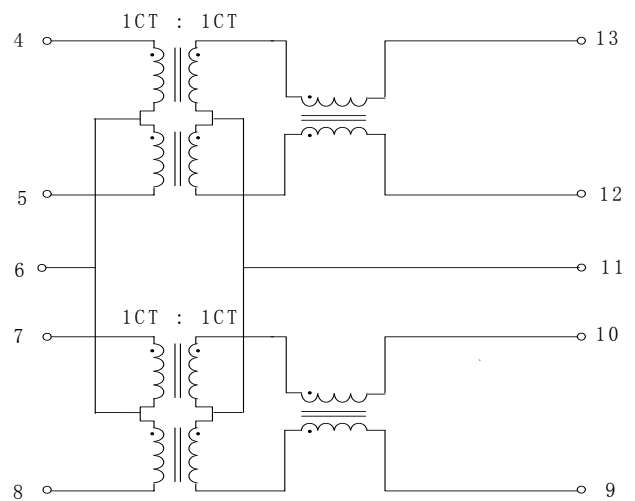
H16128SC



H16137SC



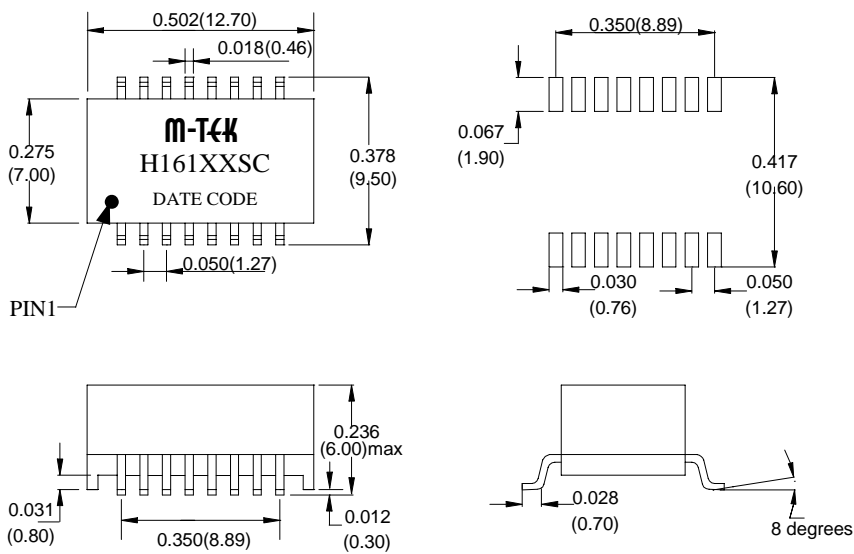
H16138SC



IO/IOO BASE-T TRANSFORMER MODULES

MECHANICAL SPECIFICATIONS

H161XXSC



DIMENSIONS INCHES/(mm) ; UNLESS OTHERWISE SPECIFIED ALL TOLERANCES ARE $\pm 0.01(0.25)$.

Head Office
 MAGTEK TECHNOLOGY INC.
 Tel : 886-3-3694878
 Fax: 886-3-3690778

ShenZhen Office
 MAGTEK TECHNOLOGY INC.
 Tel : 286-755-83347151
 Fax: 286-755-83363151

China Factory
 MAGTEK INTERNATIONAL INC.
 Tel : 286-769-86636536
 Fax: 286-769-86326256