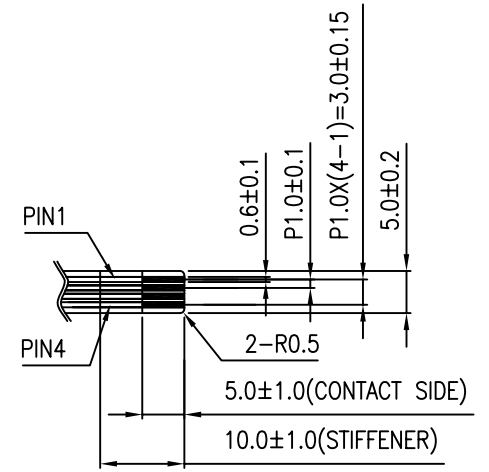
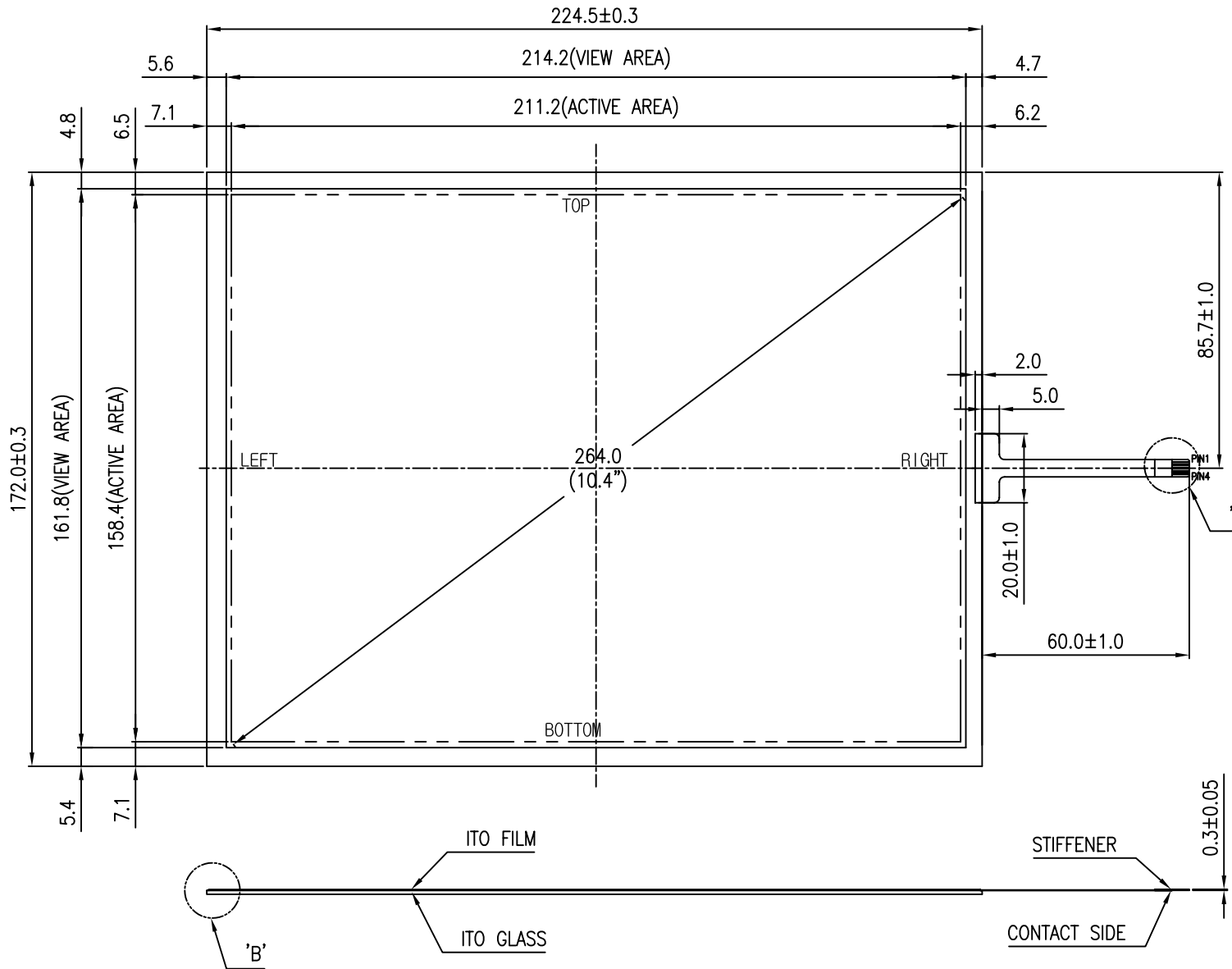
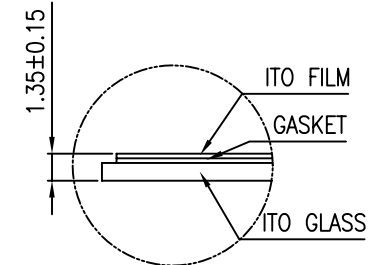


REV. NO.	REVISED	DATE	DRAWN	CHECKED	APPROVED
0	NEW DRAW	02.01.12	WJ.KIM		



DETAIL A



DETAIL B

NOTE

- 1) TYPE : NON-GLARE TYPE
- 2) GLASS THICKNESS : 1.1t
- 3) FILM THICKNESS : 175/188 ±10 μ m
- 4) CONNECTOR : FPC
- 5) GENERAL TOLERANCE : ±0.3

TERMINAL	
NO	SYMBOL
1	LEFT
2	TOP
3	RIGHT
4	BOTTOM

10.4" TOUCH PANEL

SCALE : NONE

Gleichmann & Co. Electronics GmbH
 Product Marketing Displays & Systems
 Industriestr. 16, D-76297 Stutensee
 Tel : 07249-910-0, Fax: 07249-910-559
<http://www.msc-ge.com>

APPROVE	UNIT	mm	PROJECTION	DRAWING NO.	REV.
CHECK	SCALE	NONE		H3104A-NDOFD62	
DESIGN				DESCRIPTION	SHEET
DRAW					10.4" TOUCH PANEL