

# Customer Information Sheet

DRAWING No.: H3153-XX

SHEET 2 OF 2

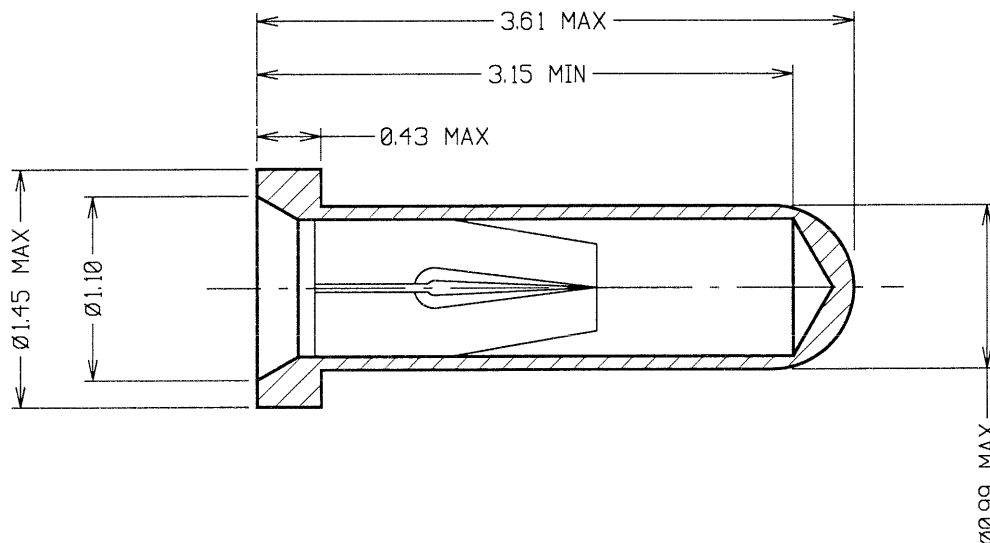
IF IN DOUBT - ASK

©

NOT TO SCALE

THIRD ANGLE PROJECTION

ALL DIMENSIONS IN mm



ORDER CODE:

**H3153-XX**

FINISH:

- 01 - GOLD CLIP, TIN SHELL
- 05 - GOLD CLIP, GOLD SHELL
- 46 - 100% TIN CLIP, 100% TIN SHELL

**SPECIFICATION:**

**MATERIAL:**

CONTACT SHELL = BRASS  
CONTACT CLIP = BERYLLIUM COPPER

**FINISH:**

- 01 = 0.1μ GOLD CLIP, 4μ TIN SHELL
- 05 = 0.1μ GOLD CLIP, 0.13μ GOLD SHELL
- 46 = 1.3μ 100% TIN CLIP, 4μ 100% TIN SHELL

**ELECTRICAL:**

CURRENT RATING AT 25°C = 2A MAX  
CURRENT RATING AT 85°C = 1.75A MAX  
CONTACT RESISTANCE (INITIAL) = 15 MILLIOHMS MAX  
CONTACT RESISTANCE (AFTER CONDITIONING) = 25 MILLIOHMS MAX

**MECHANICAL:**

INSERTION FORCE (INITIAL) = 6N MAX, 2N MIN (0.5mm GAUGE)  
WITHDRAWAL FORCE (INITIAL) = 1.5N MIN, 0.5N MIN (0.5mm GAUGE)  
DURABILITY - 01, 05 = 500 OPERATIONS  
46 = 50 OPERATIONS

**ENVIRONMENTAL:**

OPERATING TEMPERATURE = -55°C TO +125°C  
FOR COMPLETE SPECIFICATION, SEE COMPONENT SPECIFICATION C006XX (LATEST ISSUE).

**NOTES:**

1. RECOMMENDED PIN LENGTH = 3.15-2.30mm.
2. RECOMMENDED MOUNTING HOLE SIZE = 0.110-1.00mm.
3. RECOMMENDED PIN SIZE = 0.051-0.46mm.

JMB	10	22.11.06	9575
NAME	ISS.	DATE	C/NOTE
APPROVED: <i>JBC</i>			
CHECKED: <i>NSBC</i>			
DRAWN: J CLAY			
CUSTOMER REF.:			
ASSEMBLY DRG.:			

**HARWIN**

HARWIN USA TEL: 603 893 5376 FAX: 603 893 5396 mis@harwin.com  
HARWIN Europe (UK) TEL: 023 9231 4545 FAX: 023 9231 4590 mis@harwin.co.uk  
HARWIN Asia TEL: +65 6 779 4909 FAX: +65 6 779 3868 mis@harwin.com.sg

THIS DRAWING AND ANY INFORMATION OR DESCRIPTIVE MATTER SET OUT HEREON ARE CONFIDENTIAL AND COPYRIGHT PROPERTY OF THE HARWIN GROUP AND MUST NOT BE DISCLOSED, LOANED, COPIED OR USED FOR MANUFACTURING, TENDERING OR FOR ANY OTHER PURPOSE WITHOUT THEIR WRITTEN PERMISSION.

**TOLERANCES**  
X. = ±1mm  
X.X = ±0.25mm  
X.XX = ±0.10mm  
X.XXX = ±0.01mm  
ANGLES = ±5°  
UNLESS STATED

**MATERIAL:** SEE ABOVE  
**FINISH:** SEE ABOVE  
**S/AREA:** mm<sup>2</sup>

**TITLE:** SUB-MINIATURE SOCKET ASSEMBLY  
**DRAWING NUMBER:** H3153-XX  
**SHT** 2 **OF** 2