

## 10/100 BASE-T TRANSFORMER MODULES

- F** Quad Port Transformer Modules Designed For 10/100 Base-Tx MultiPort Hub Applications.
- F** Compliant With IEEE 802.3 and ANSI X3.236 Standard Including Baseline Wander Compensation Specification Of 350uH OCL When Biased at 8mA From 0°C to 70°C.
- F** Low Profile Surface Mount Packaging Designed For Hi-Temp Reflow Process (250°C peak).
- F** For RoHS Part Add Suffix G.



### ELECTRICAL SPECIFICATIONS @ 25°C ( Operating Temperature : 0°C to 70°C )

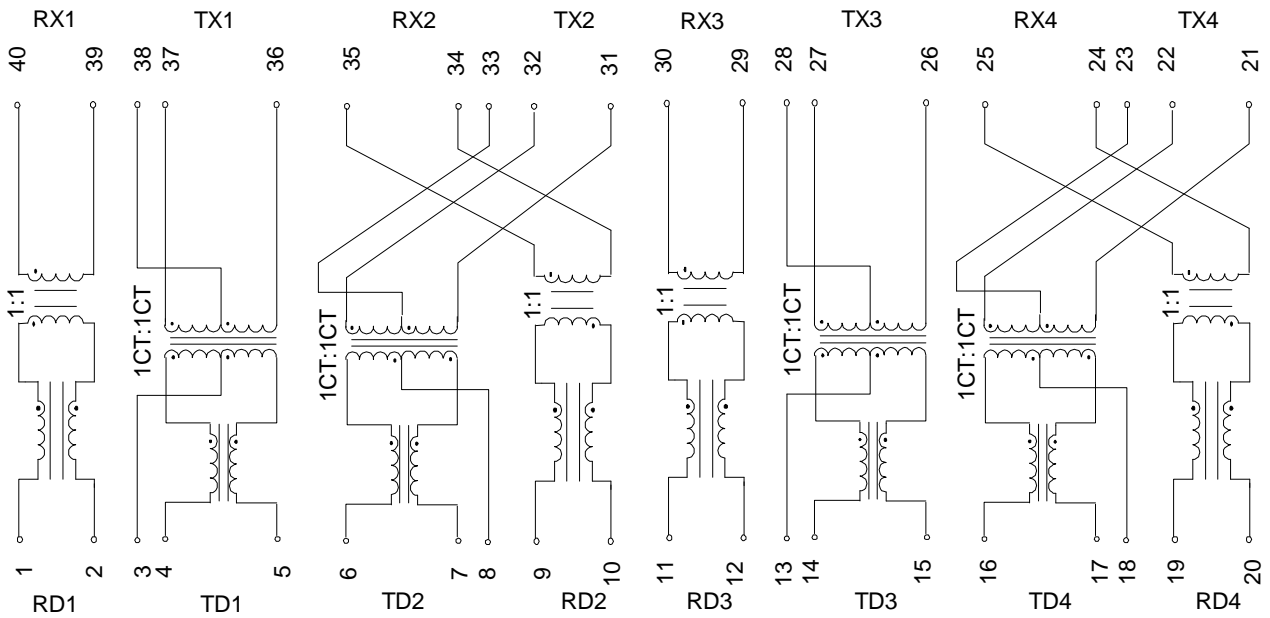
Part Number	Insertion Loss (dB max)			Return Loss (dB min)			CMRR (dB min)			Crosstalk (dB min)	
	0.3-100MHz	0.3-30MHz	40MHz	50MHz	60-80MHz	0.3-30MHz	60MHz	80-100MHz	0.3-30MHz	60-100MHz	
H40517MN	-1.1	-18	-14.4	-13.1	-12	-40	-35	-30	-35	-33	
H40518MN	-1.1	-18	-14.4	-13.1	-12	-40	-35	-30	-35	-33	
H40519MN	-1.1	-18	-14.4	-13.1	-12	-40	-35	-30	-42	-33	
H40520MN	-1.1	-18	-14.4	-13.1	-12	-40	-35	-30	-42	-33	
H40521MN	-1.1	-18	-14.4	-13.1	-12	-40	-35	-30	-35	-33	
H40522MN	-1.3	-18	-14.4	-13.1	-12	-40	-35	-30	-42	-33	

**Note :** All models meet Isolation Voltage (HiPot) of 1500Vrms

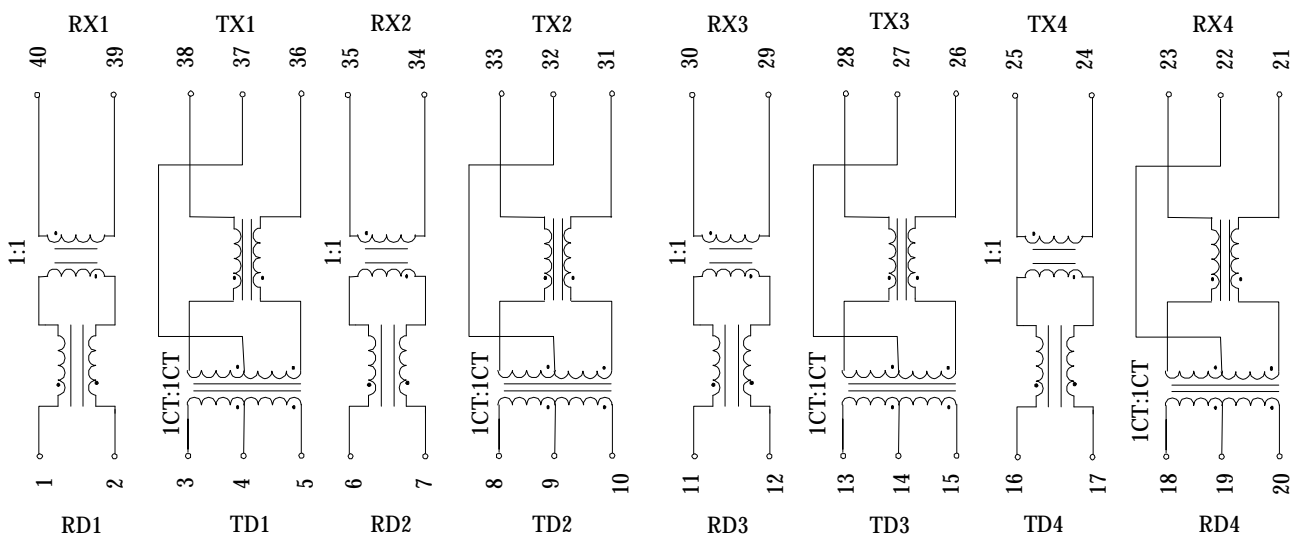
## 10/100 BASE-T TRANSFORMER MODULES

### SCHEMATICS (Continued)

#### H40517MN



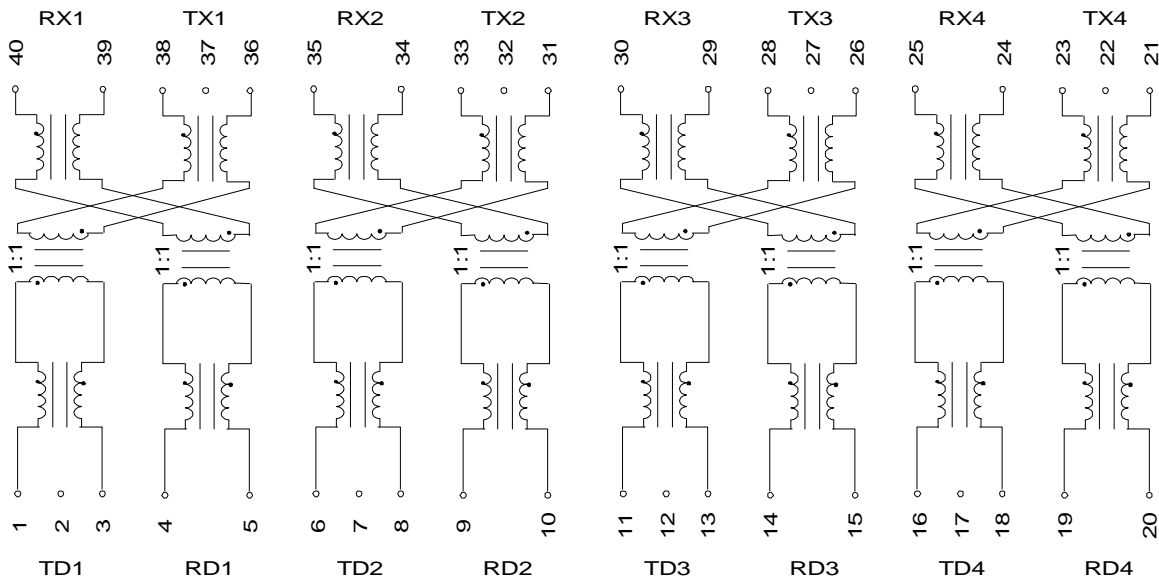
#### H40518MN



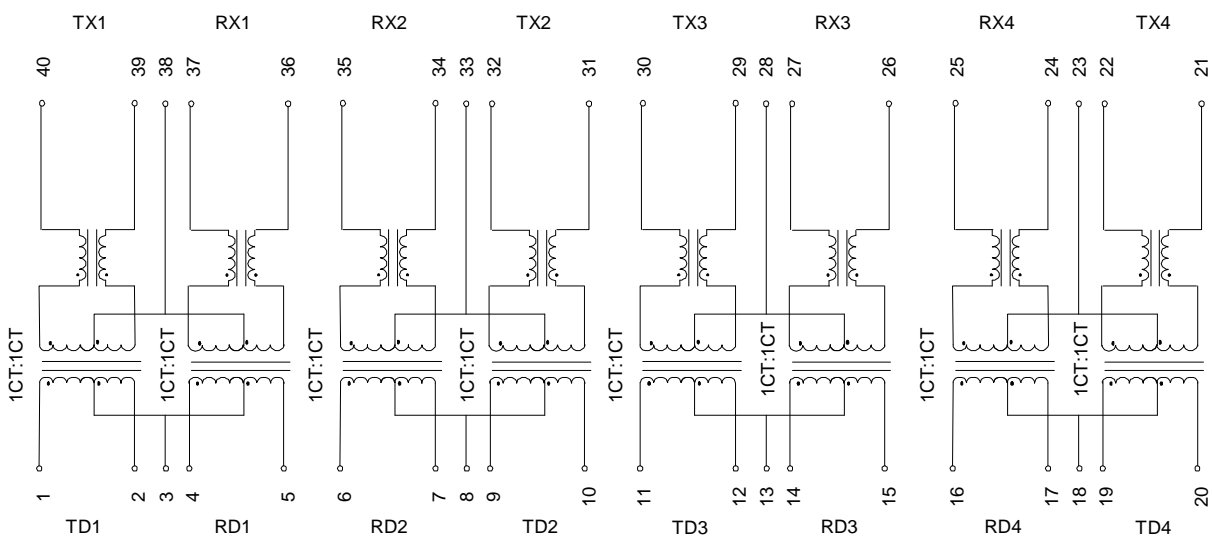
## 10/100 BASE-T TRANSFORMER MODULES

### SCHEMATICS (Continued)

#### H40519MN



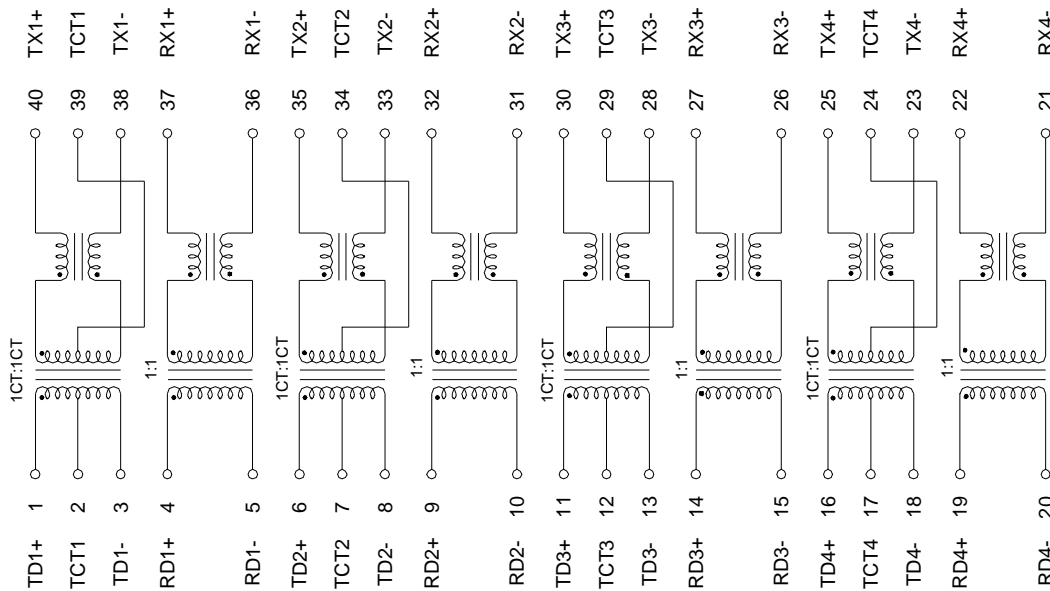
#### H40520MN



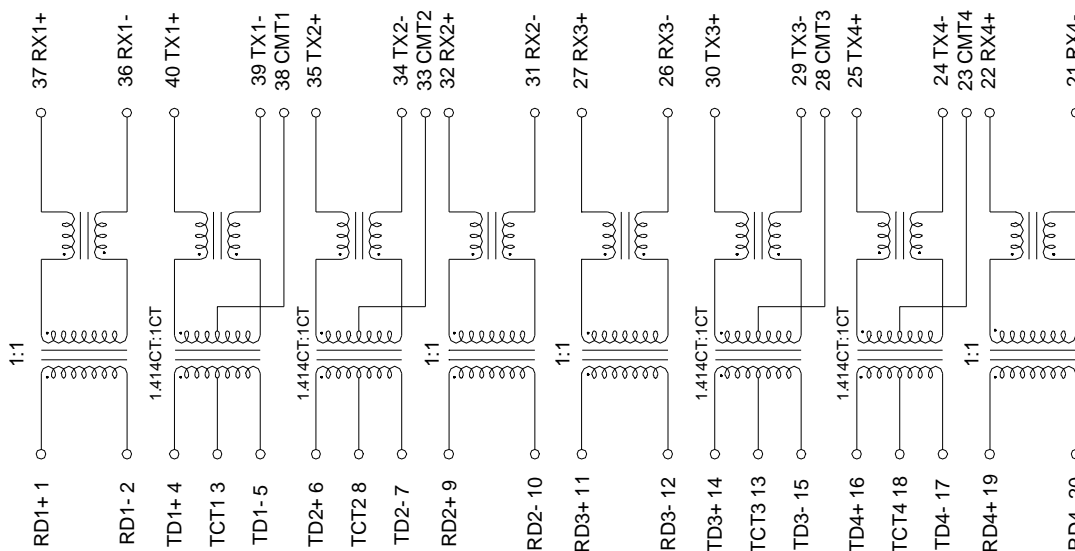
## 10/100 BASE-T TRANSFORMER MODULES

### SCHEMATICS (Continued)

#### H40521MN



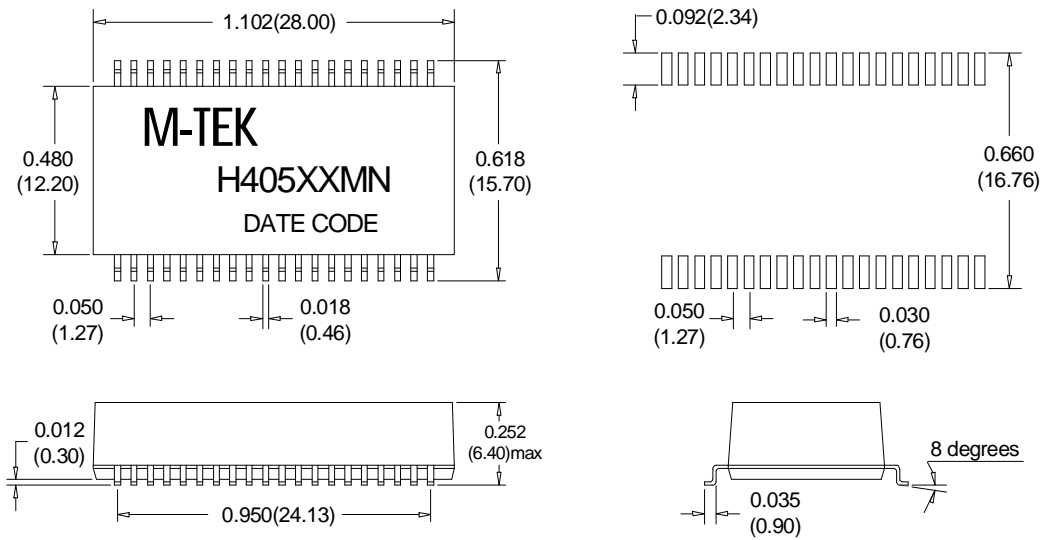
#### H40522MN



## 10/100 BASE-T TRANSFORMER MODULES

### MECHANICAL SPECIFICATIONS (Continued)

#### H405XXMN



DIMENSIONS : INCHES/(mm) UNLESS OTHERWISE SPECIFIED ALL TOLERANCES ARE ± 0.010(0.25).

Head Office  
MAGTEK TECHNOLOGY INC.  
Tel : 886-3-3694878  
Fax: 886-3-3690778

ShenZhen Office  
MAGTEK TECHNOLOGY INC.  
Tel : 286-755-83347151  
Fax: 286-755-83363151

China Factory  
MAGTEK INTERNATIONAL INC.  
Tel : 286-769-86636536  
Fax: 286-769-86326256