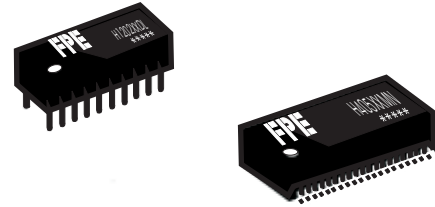




## 10/100 Base-T Transformer Modules

**T**ransformer Modules ( 10/100 Base-Tx) For Auto MDI / MDIX Applications.

**C**ompliant With IEEE 802.3 and ANSI X3.236 Standard Including Baseline Wander Compensation Specification Of 350  $\mu$  H OCL When Biased at 8mA From 0°C to 70°C



**A**vailable In Through Hole Package ( For Dual Port Only )

RoHS " -R " peak solder rating 260°C, non-RoHS peak solder rating 225°C For RoHS part, add suffix -R

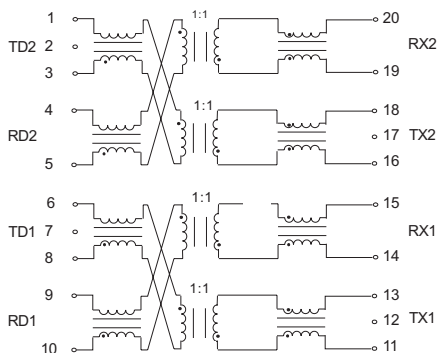
### ELECTRICAL SPECIFICATIONS @ 25°C ( Operating Temperature : 0°C to 70°C )

Part Number	Insertion Loss (dB max)		Return Loss (dB min)			CMRR (dB min)			Crosstalk (dB min)	
	0.3-100MHz	0.3-30MHz	40MHz	50MHz	60-100MHz	0.3-30MHz	60MHz	80-100MHz	0.3-60MHz	60-100MHz
H20201DL H20201DL-R	-1.1	-16	-14	-13.5	-10	-40	-35	-30	-40	-30
H20202DL H20202DL-R	-1.1	-16	-14	-13.5	-10	-40	-35	-30	-40	-30
H20203DL H20203DL-R	-1.1	-16	-14	-13.5	-10	-40	-35	-30	-40	-30
H20204DL H20204DL-R	-1.1	-16	-14	-13.5	-10	-40	-35	-30	-40	-30
H20205DL H20205DL-R	-1.1	-16	-14	-13.5	-10	-40	-35	-30	-40	-30
H40519MN H40519MN-R	-1.1	-16	-14	-13.5	-10	-40	-35	-30	-40	-30
H40520MN H40520MN-R	-1.1	-16	-14	-13.5	-10	-40	-35	-30	-40	-30
H40528MN H40528MN-R	-1.1	-16	-14	-13.5	-10	-40	-35	-30	-40	-30
H40540MN H40540MN-R	-1.1	-16	-14	-13.5	-10	-40	-35	-30	-40	-30

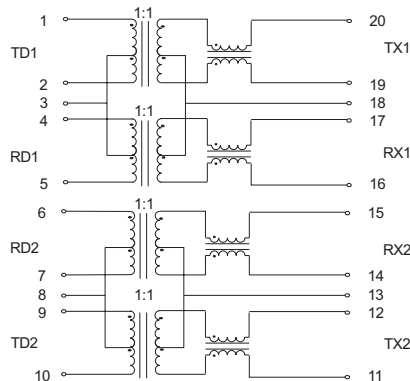
*Note : All models meet Isolation Voltage (HiPot) of 1500Vrms*

### SCHEMATICS

H20201DL  
H20201DL-R



H20202DL  
H20202DL-R



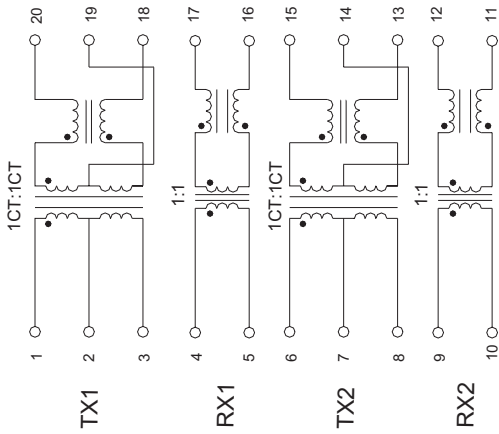
TAIWAN  
TEL: 00886-3-3310896  
FAX: 00886-3-3310865

DONGGUAN  
TEL: 086-769-86761589  
FAX: 086-769-86761549

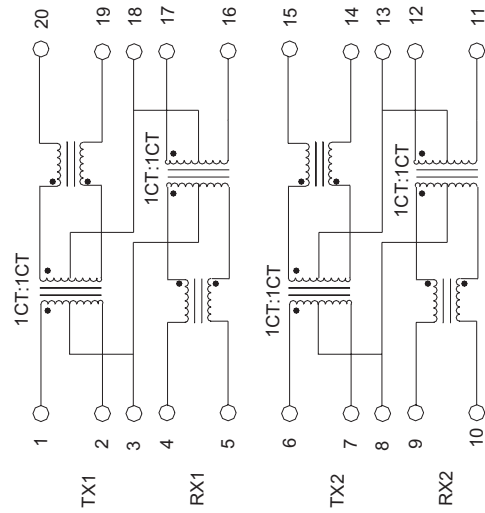
# 10/100 Base-T Transformer Modules

## SCHEMATICS

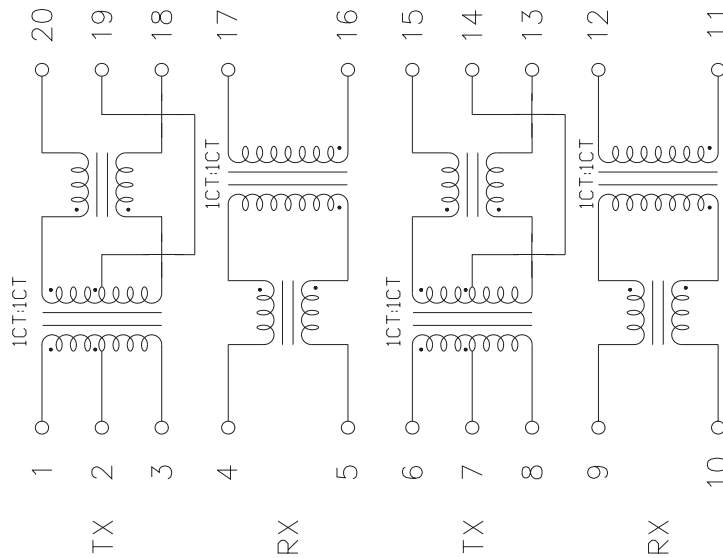
**H20203DL  
H20203DL-R**



**H20204DL  
H20204DL-R**



**H20205DL  
H20205DL-R**

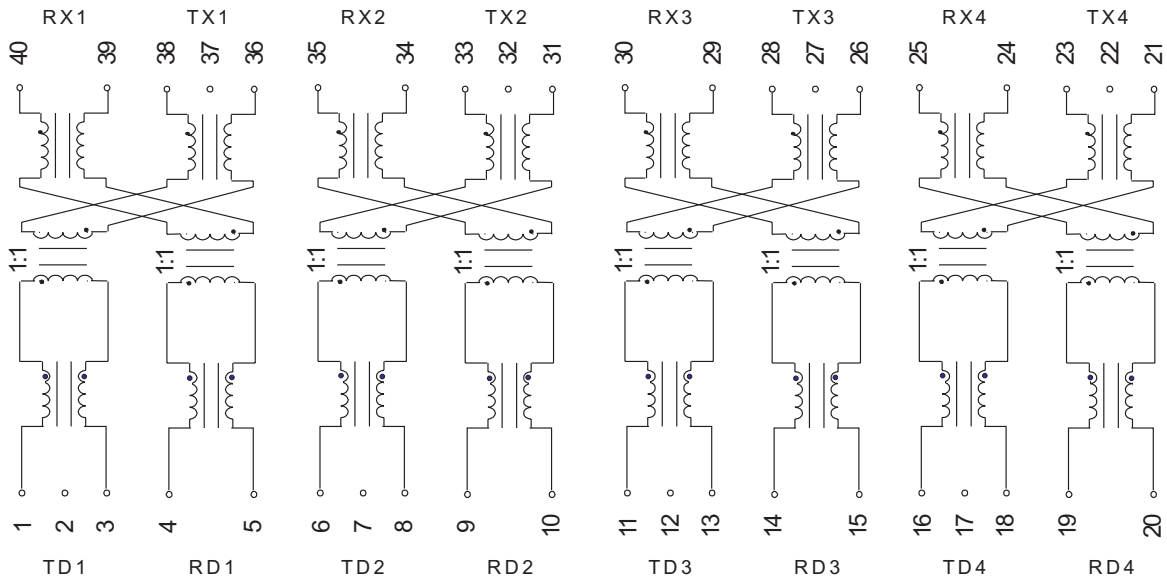




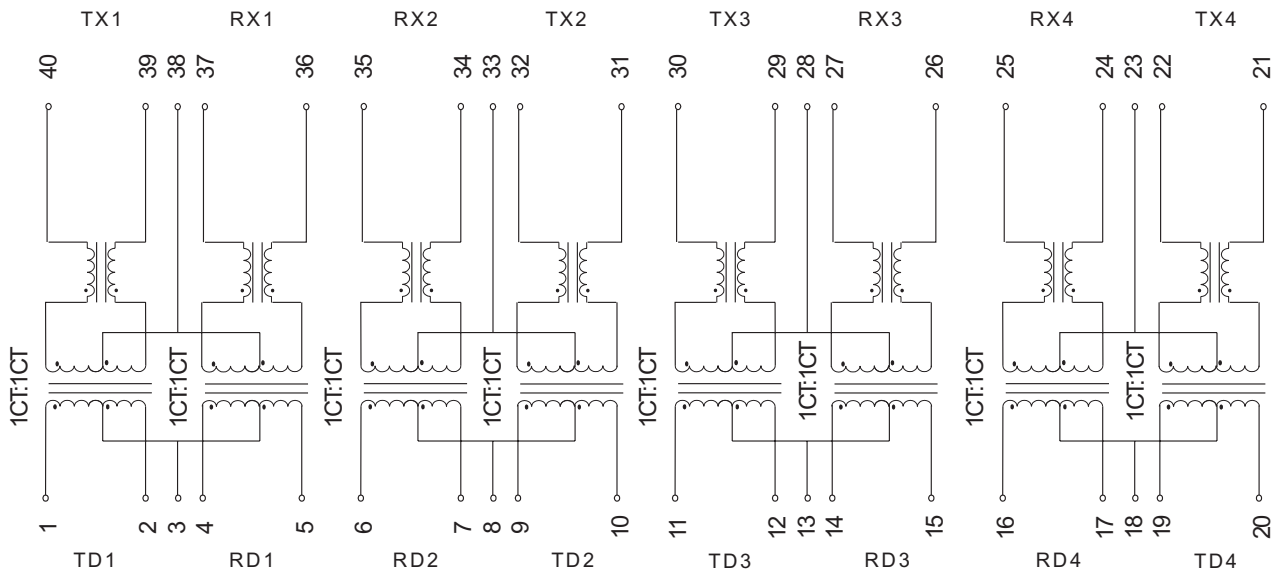
# 10/100 Base-T Transformer Modules

## SCHEMATICS

### H40519MN H40519MN-R



### H40520MN H40520MN-R



TAIWAN  
TEL: 00886-3-3310896  
FAX: 00886-3-3310865

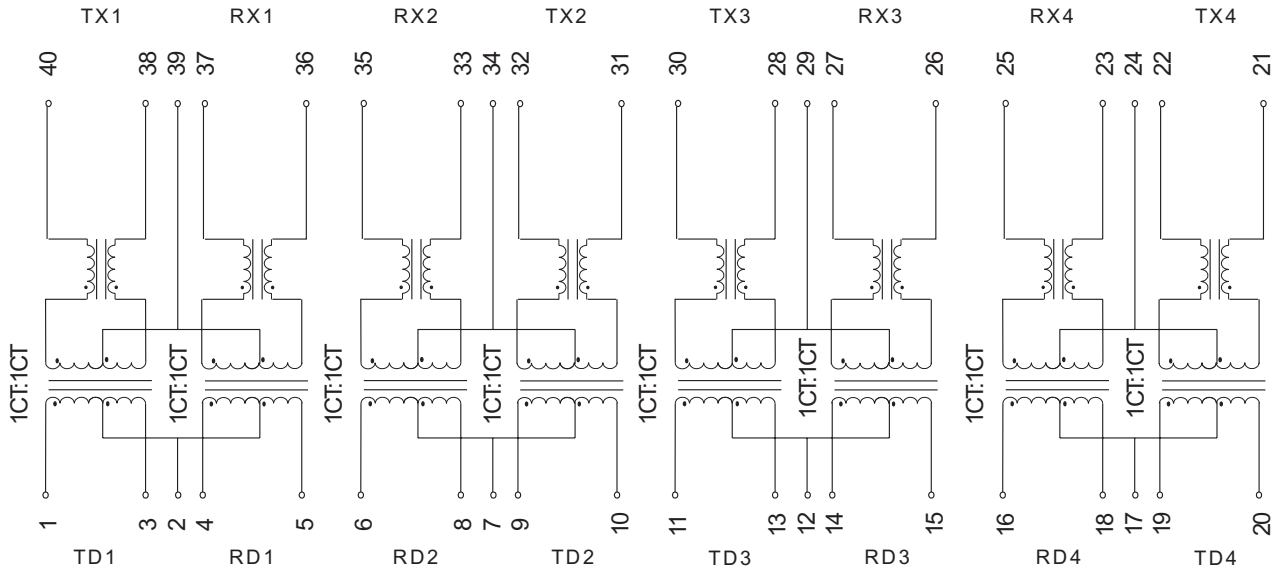
DONGGUAN  
TEL: 086-769-86761589  
FAX: 086-769-86761549



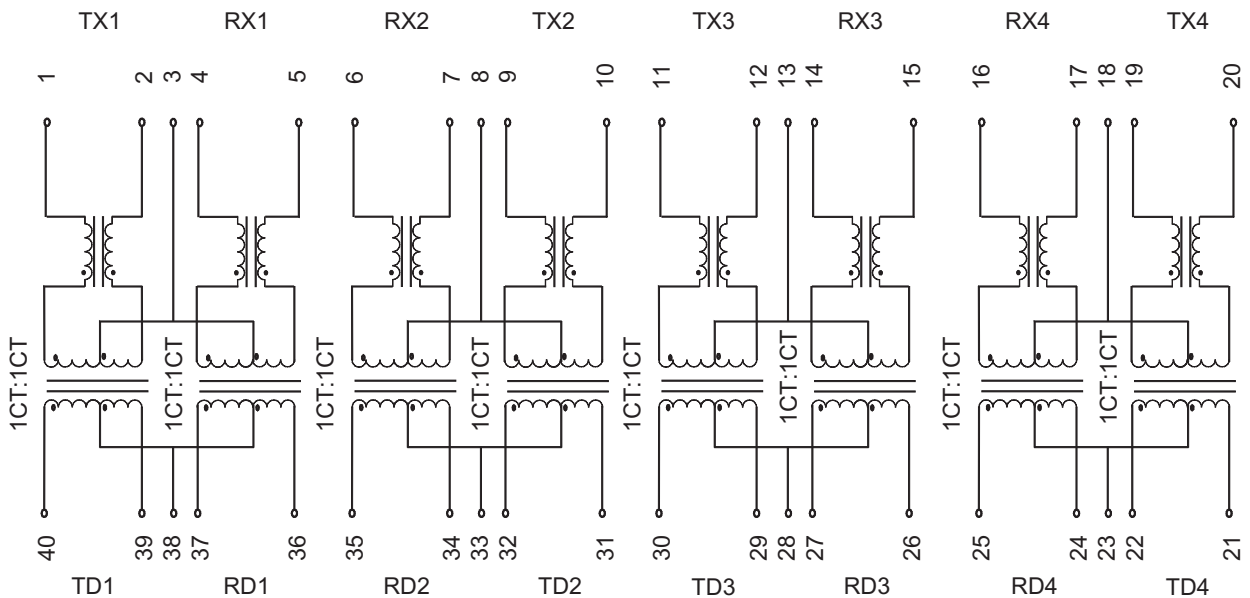
## 10/100 Base-T Transformer Modules

### SCHEMATICS (Continued)

**H40528MN**  
**H40528MN-R**



**H40540MN**  
**H40540MN-R**



TAIWAN  
TEL: 00886-3-3310896  
FAX: 00886-3-3310865

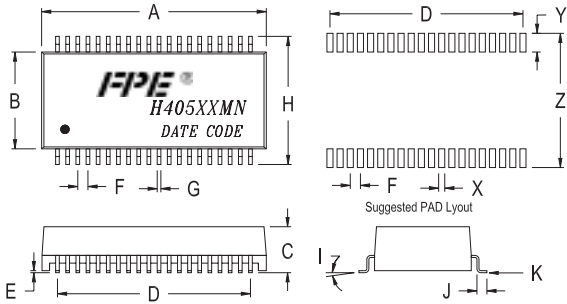
DONGGUAN  
TEL: 086-769-86761589  
FAX: 086-769-86761549



# 10/100 Base-T Transformer Modules

## MECHANICAL SPECIFICATIONS

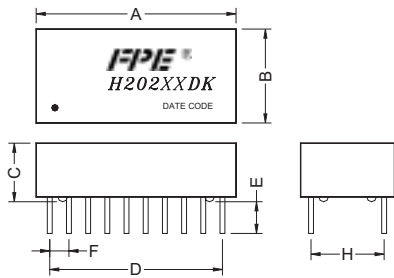
### H405XXMN, H405XXMN-R



DIM	MILLIMETERS		INCHES	
	MIN	MAX	MIN	MAX
A	27.75	28.25	1.093	1.112
B	11.75	12.25	0.463	0.482
C	5.50	6.00	0.217	0.236
D	24.08	24.18	0.948	0.952
E	0.10	0.40	0.004	0.016
F	1.22	1.32	0.048	0.052
G	0.41	0.51	0.016	0.020

DIM	MILLIMETERS		INCHES	
	MIN	MAX	MIN	MAX
H	15.85	16.35	0.624	0.644
I	0	8	0	8
J	1.15	1.25	0.039	0.049
X	0.71	0.81	0.028	0.032
Y	2.09	2.59	0.082	0.102
Z	16.51	17.01	0.650	0.670
K	0.10 TYP		0.004 TYP	

### H202XXDK H202XXDK-R



DIM	MILLIMETERS		INCHES	
	MIN	MAX	MIN	MAX
A	20.57	21.07	0.810	0.830
B	9.53	10.03	0.375	0.395
C	5.84	6.35	0.230	0.250
E	3.10	3.50	0.122	0.138
D	18.00(typical)		0.7085(typical)	
F	2.00(typical)		0.0785(typical)	
G(DIA)	0.50(typical)		0.020(typical)	
H	7.62(typical)		0.300(typical)	

1. DIMENSIONS : INCHES/(mm) UNLESS OTHERWISE SPECIFIED ALL TOLERANCES ARE ±0.010(0.25).  
DIMENSIONS IN BOLD ARE OF TOLERANCES ±0.005 ( 0.127 )

TAIWAN  
TEL: 00886-3-3310896  
FAX: 00886-3-3310865

DONGGUAN  
TEL: 086-769-86761589  
FAX: 086-769-86761549