

REV.NO.	REVISED	DATE	DRAWN	CHECKED	APPROVED
0	NEW DRAW	05.07.12	K.B.KIM		

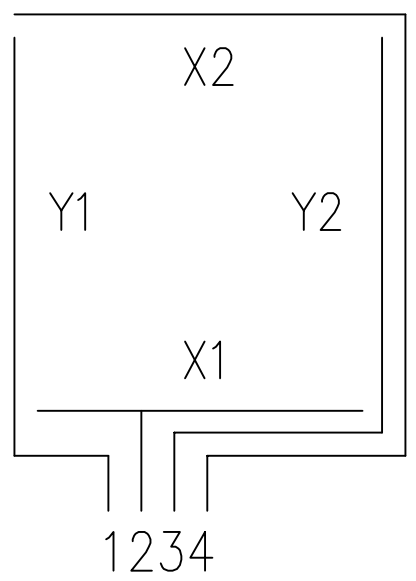
REMARK

1. Glass Thk: 1.8mm
2. Film Type: CLEAR / Non_Glare
3. Total Thk: 2.05 ± 0.15
4. Linearity: ± 1.5 or less
5. Transmittance: 80% or more
6. Resistance
 $200 < \text{Glass}(X) < 900 \text{ ohm}$
 $200 < \text{Film}(Y) < 900 \text{ ohm}$
7. Connector: FPC

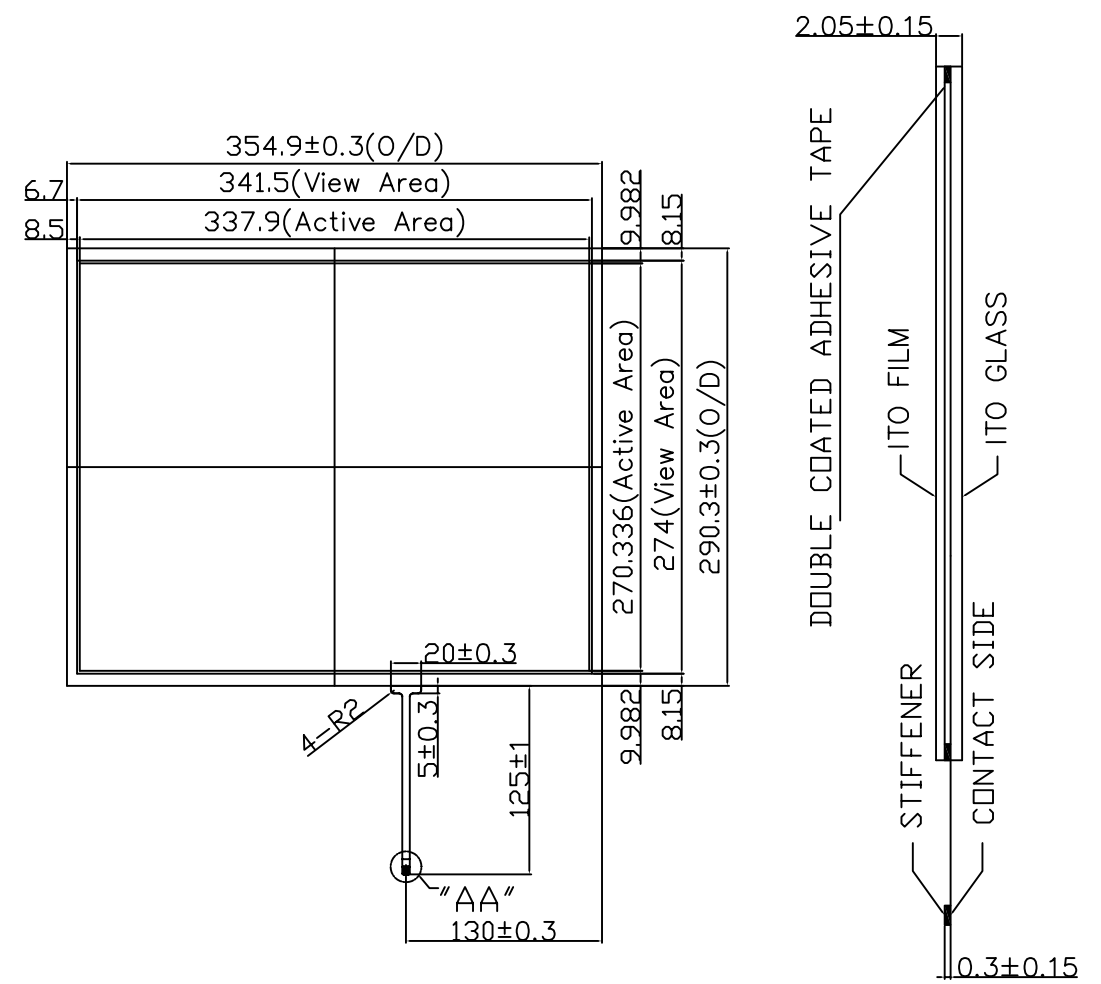
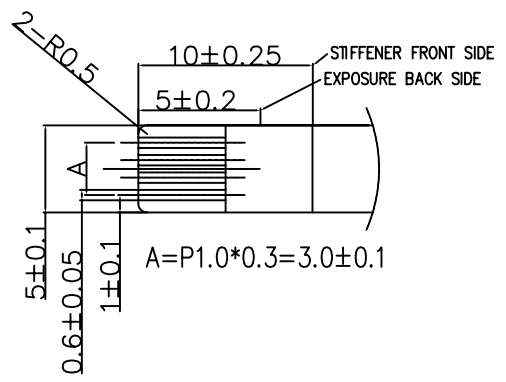
SIGNAL ASSIGNMENT

Pin No	Signal
1	Y1
2	X1
3	Y2
4	X2

CIRCUIT DIAGRAM



Detail "AA" (Scale=3/1)



Gleichmann & Co. Electronics GmbH
 Product Marketing Displays & Systems
 Industriestr. 16, D- 76297 Stutensee
 Tel : 07249-910-0, Fax: 07249-910-559
<http://www.msc-ge.com>

APPROVE		UNIT	mm	PROJECTION	DRAWING NO.	REV.
CHECK		SCALE	NONE		H4170A-NEOFF27	
DESIGN					DESCRIPTION	SHEET
DRAW					17" TOUCH PANEL	1/1