



# IO/IOO BASE-T TRANSFORMER MODULES

- Magnetic Designs To Support Every PHY.
- Complies With IEEE 802.3 Standard Including 350uH Min OCL With 8mA Bias.
- Operating Temperature Range: 0°C to +70°C.
- For RoHS Part Add Suffix G.

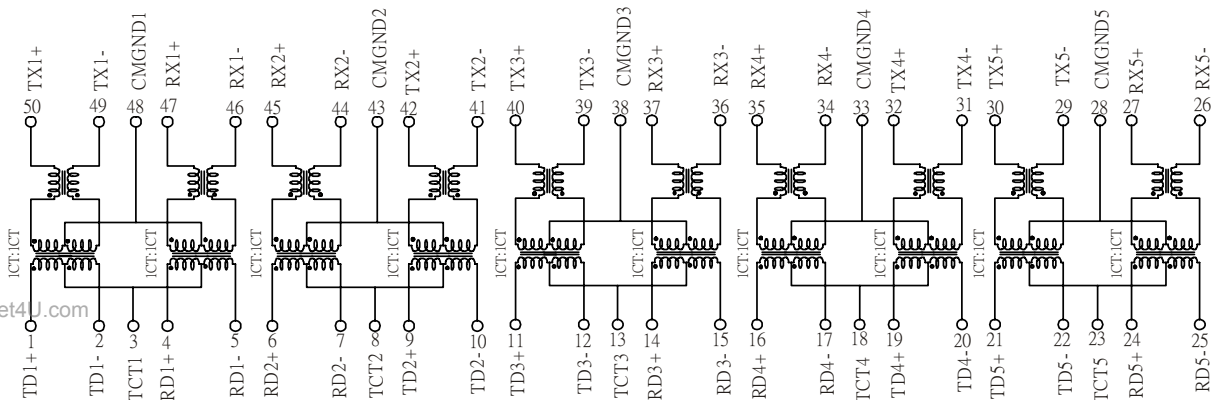


## ELECTRICAL SPECIFICATIONS @ 25°C (Operating Temperature 0°C to +70°C)

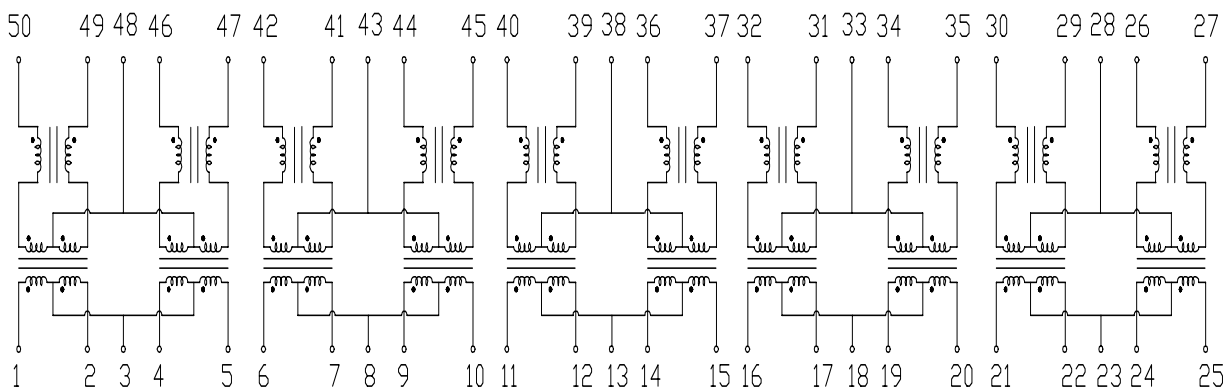
Part Number	Insertion Loss (dB max)		Return Loss (dB min)			CMRR (dB min)			Crosstalk (dB min)	
	0.3-100MHz	0.3-30MHz	40MHz	50MHz	60-80MHz	0.3-30MHz	60MHz	80-100MHz	0.3-30MHz	60-100MHz
H50601DR	-1.1	-18	-14.4	-13.1	-12	-40	-35	-30	-42	-33
H50602DR	-1.1	-18	-14.4	-13.1	-12	-40	-35	-30	-42	-33
H50603DR	-1.1	-18	-14.4	-13.1	-12	-40	-35	-30	-42	-33

## SCHEMATICS

H50601DR



H50602DR



Head Office  
MAGTEK TECHNOLOGY INC.  
Tel : 886-3-3694878  
Fax: 886-3-3690778

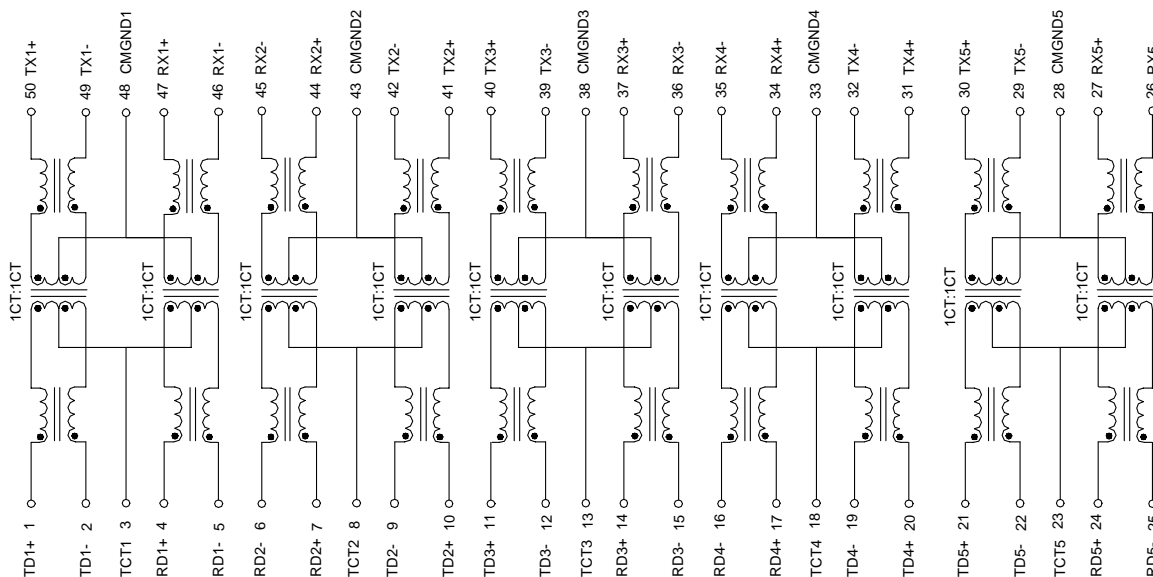
ShenZhen Office  
MAGTEK TECHNOLOGY INC.  
Tel : 286-755-83347151  
Fax: 286-755-83363151

China Factory  
MAGTEK INTERNATIONAL INC.  
Tel : 286-769-86636536  
Fax: 286-769-86326256



# IO/100 BASE-T TRANSFORMER MODULES

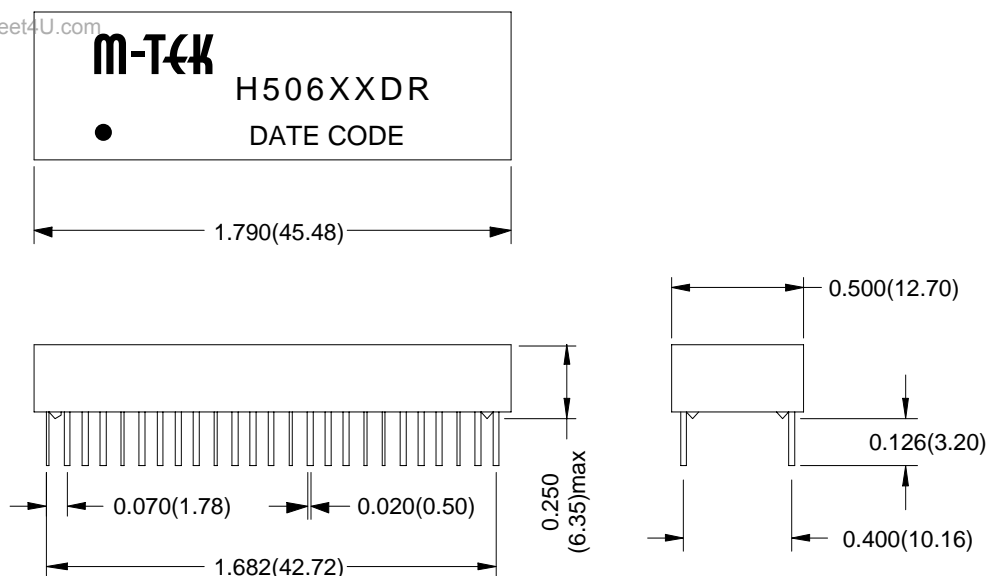
H50603DRG



## MECHANICAL SPECIFICATIONS

H506XXDR

www.DataSheet4U.com



DIMENSIONS : INCHES/(mm) UNLESS OTHERWISE SPECIFIED ALL TOLERANCES ARE ± 0.010(0.25).

**Head Office**  
 MAGTEK TECHNOLOGY INC.  
 Tel : 886-3-3694878  
 Fax: 886-3-3690778

**ShenZhen Office**  
 MAGTEK TECHNOLOGY INC.  
 Tel : 286-755-83347151  
 Fax: 286-755-83363151

**China Factory**  
 MAGTEK INTERNATIONAL INC.  
 Tel : 286-769-86636536  
 Fax: 286-769-86326256