

# HA17555 Series

www.DataSheet4U.com

## Precision Timer

REJ03D0681-0100  
 (Previous: ADE-204-064)  
 Rev.1.00  
 Jun 15, 2005

### Description

HA17555 Series are ICs designed for accurate time delays or oscillations. It provides both of trigger terminal and reset terminal in order to enable a wide scope of application including Mono Multi Vibrator and Astable Multi Vibrator, and the number of external components is fewer. Further, it's compatible with NE555 of singnetics.

### Features

- Mono multi vibrator can be constructed with one resistor and one capacitor.
- Astable multi vibrator can be constructed with two resistors and one capacitor.
- Delay time can be established widely from several  $\mu$  seconds to several hours.
- Pulse Duty can be controlled.
- The maximum value of both sink current and source current is 200mA.
- Direct connection of output to TTL is possible.
- Temperature/delay time ratio is 50 ppm/ $^{\circ}$ C (typ).
- Output is normally in the on and off states.

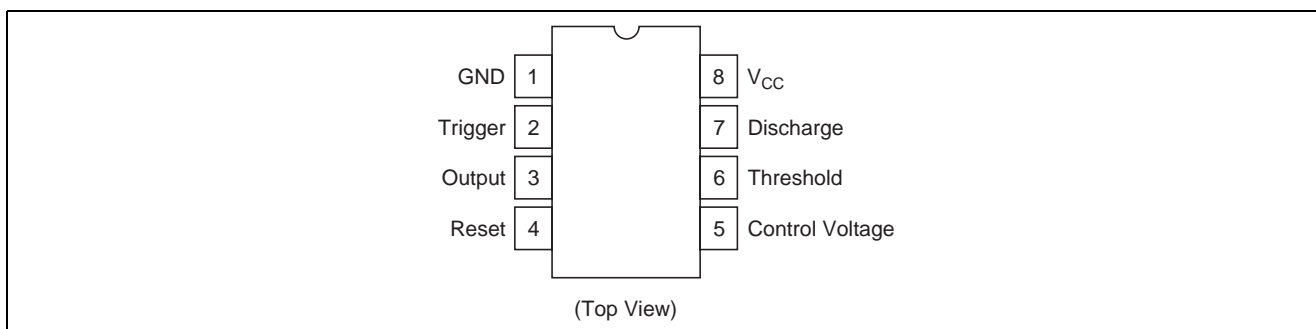
### Ordering Information

Application	Type No.	Package Code (Previous Code)
Industrial use	HA17555PS	PRDP0008AF-A (DP-8B)
	HA17555FP	PRSP0008DE-B (FP-8DGV)
Commercial use	HA17555	PRDP0008AF-A (DP-8B)
	HA17555F	PRSP0008DE-B (FP-8DGV)

### Applications

- Delay Time Generator (Mono Multi Vibrator)
- Pulse Generator (Astable Multi Vibrator)
- Pulse Width Modulator
- Pulse Location Modulator
- Miss Pulse Detector

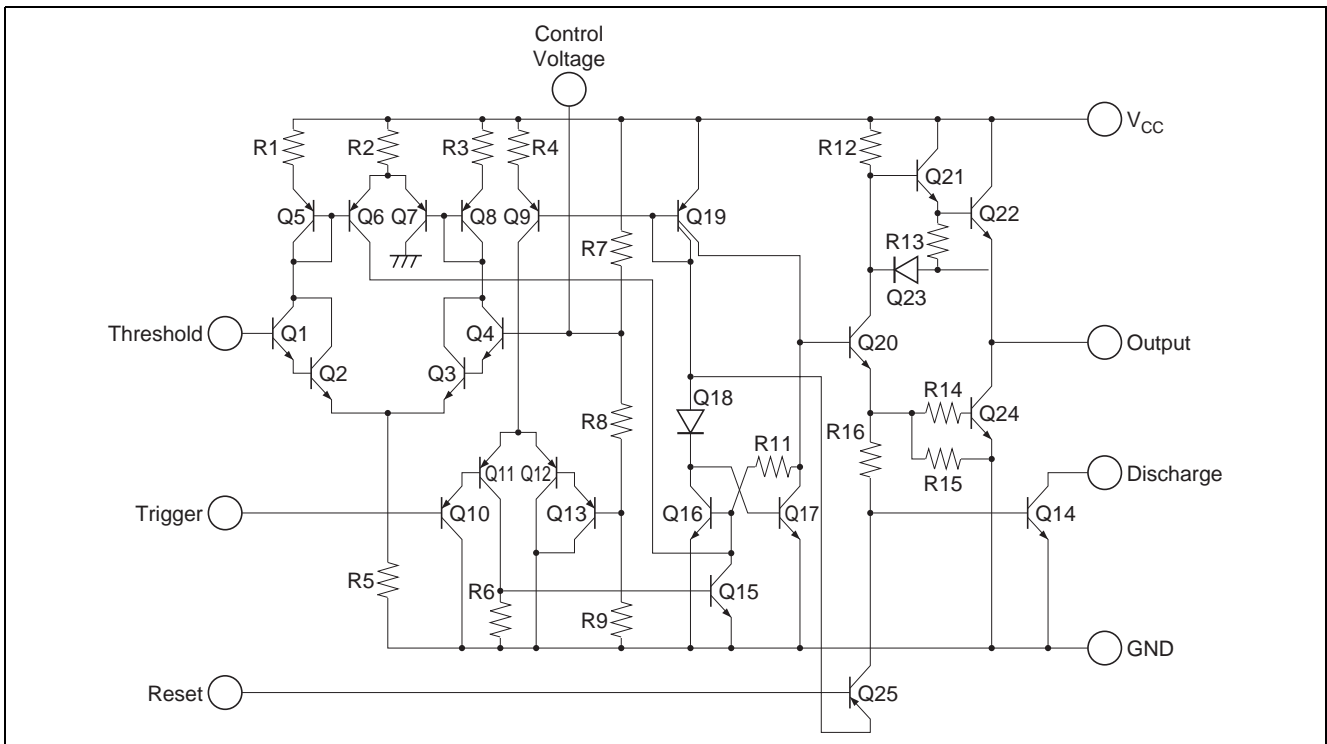
### Pin Arrangement



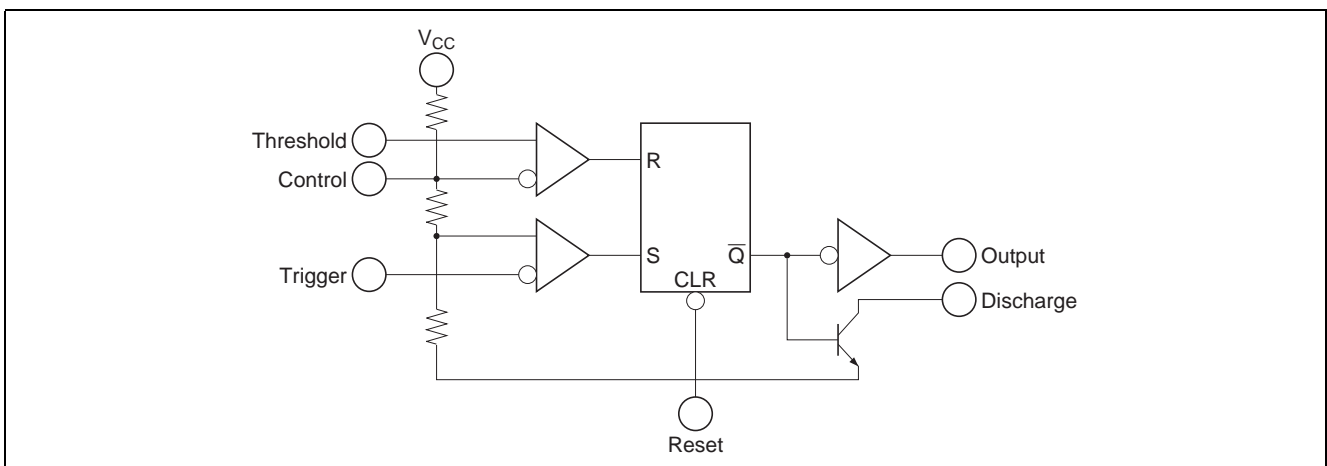
Pin Description

Pin No.	Function
1	Ground pin
2	Trigger pin
3	Output pin
4	Reset pin
5	Control voltage pin
6	Threshold pin
7	Discharge pin
8	V <sub>CC</sub> pin

Circuit Schematic



Block Diagram



**Absolute Maximum Ratings**

(Ta = 25°C)

Item	Symbol	HA17555PS/FP	HA17555/F	Unit
Supply voltage	V <sub>CC</sub>	18	18	V
Discharge current	I <sub>T</sub>	200	200	mA
Output source current	I <sub>source</sub>	200	200	mA
Output sink current	I <sub>sink</sub>	200	200	mA
Power dissipation* <sup>1</sup>	P <sub>T</sub>	600/385	600/385	mW
Operating temperature	Topr	-20 to +75	-20 to +70	°C
Storage temperature	Tstg	-55 to +125	-55 to +125	°C

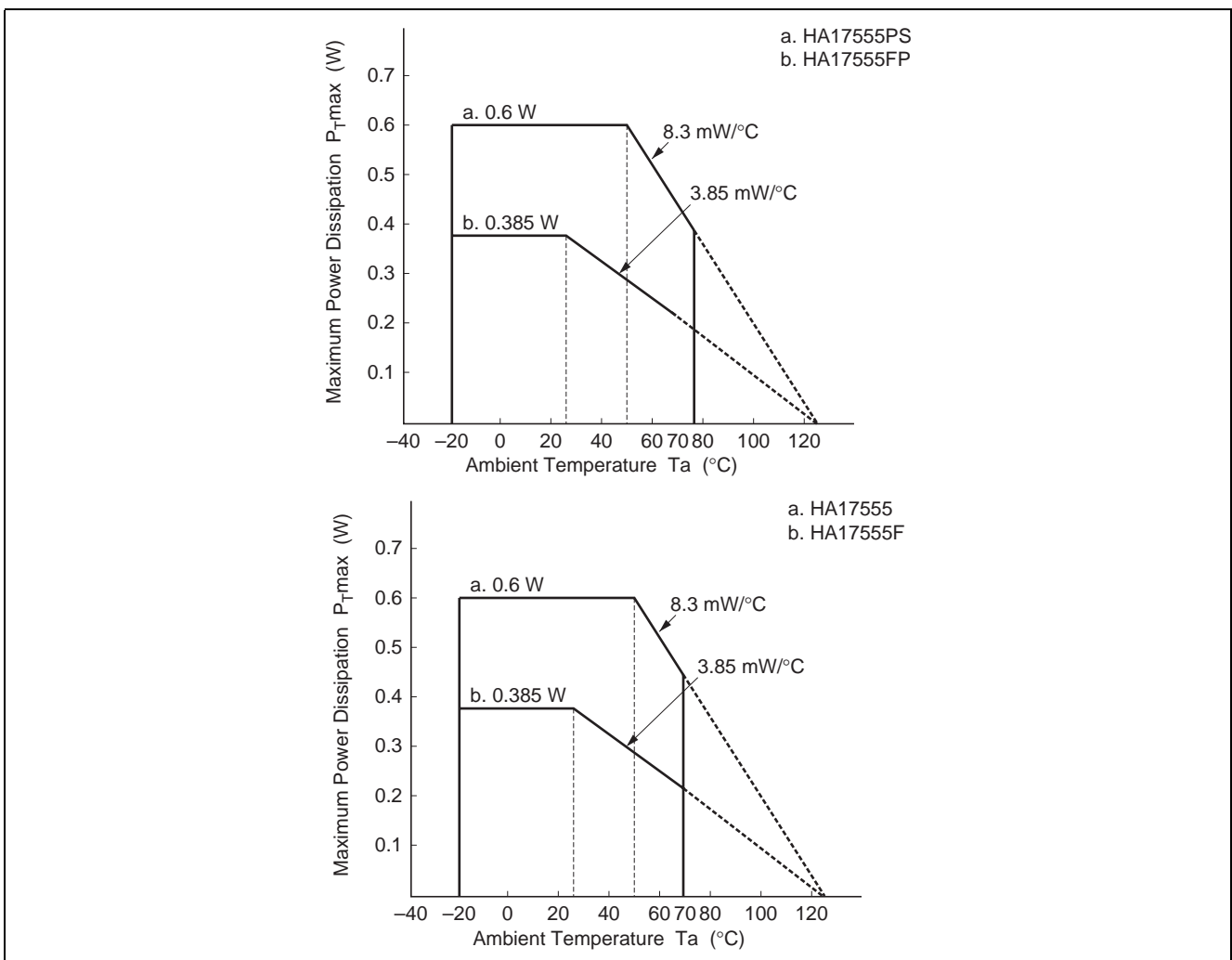
Note: 1. For the HA17555/PS,

This value applies up to Ta = 50°C; at temperatures above this, 8.3mW/°C derating should be applied.

For the HA17555F/FP,

This value applies up to Ta = 25°C; at temperatures above this, 3.85mW/°C derating should be applied.

See notes on SOP Package Usage in Reliability section.



## Electrical Characteristics

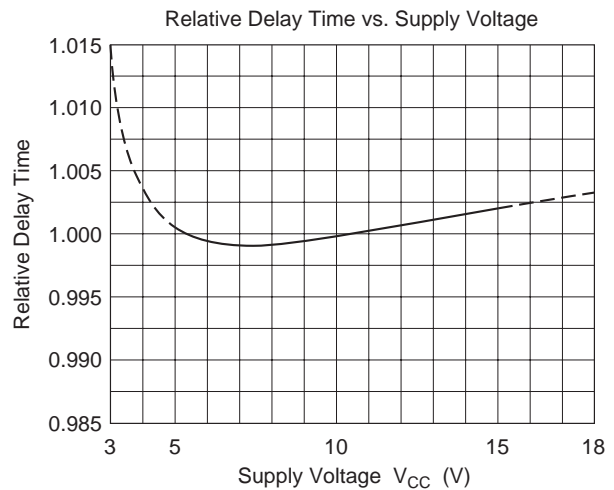
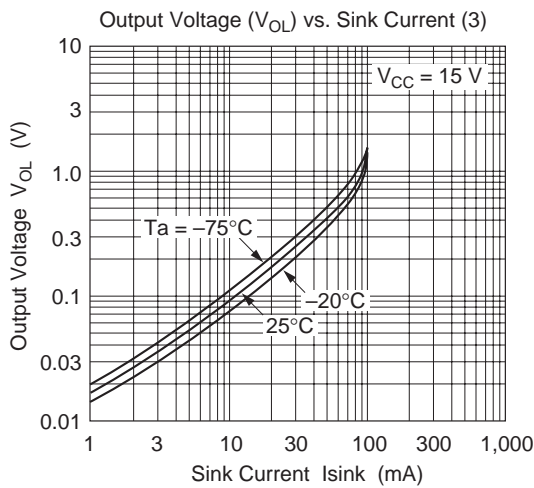
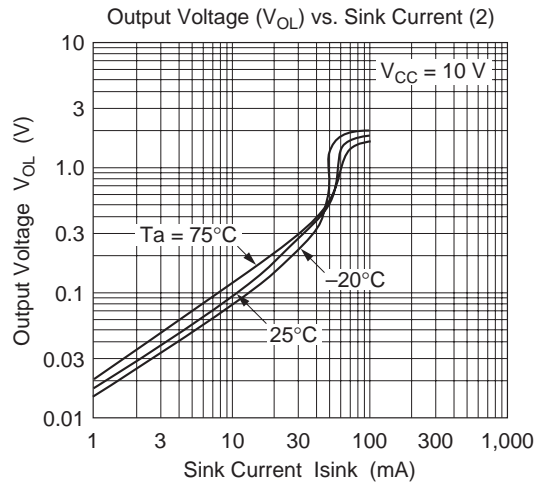
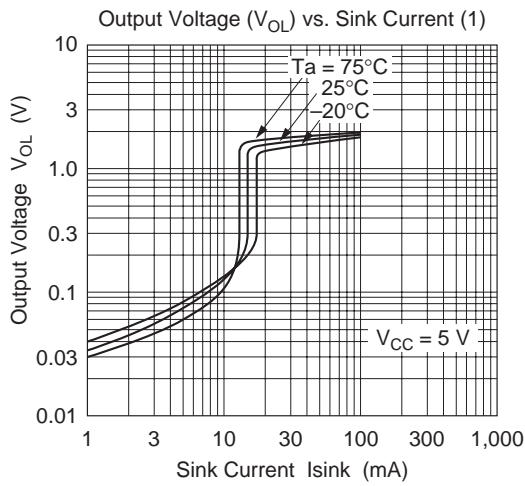
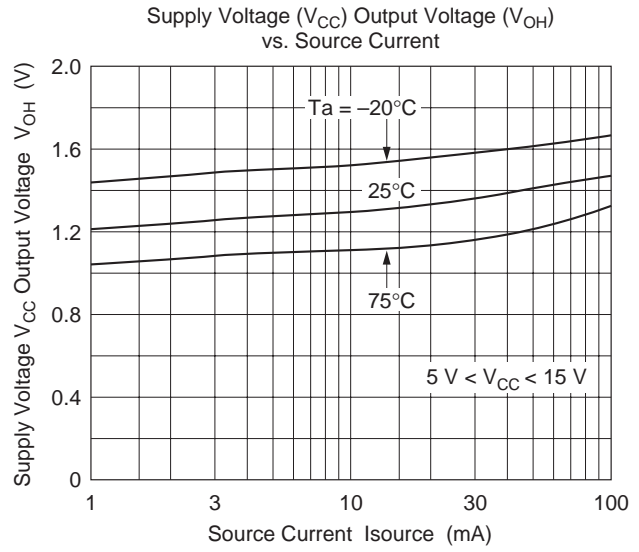
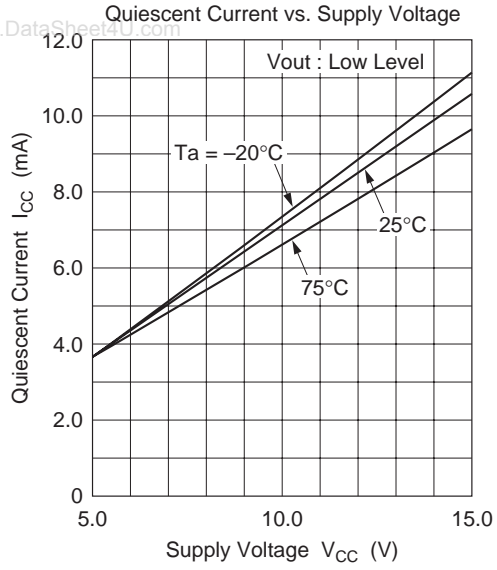
(V<sub>CC</sub> = 5 to 15 V, T<sub>a</sub> = 25°C)

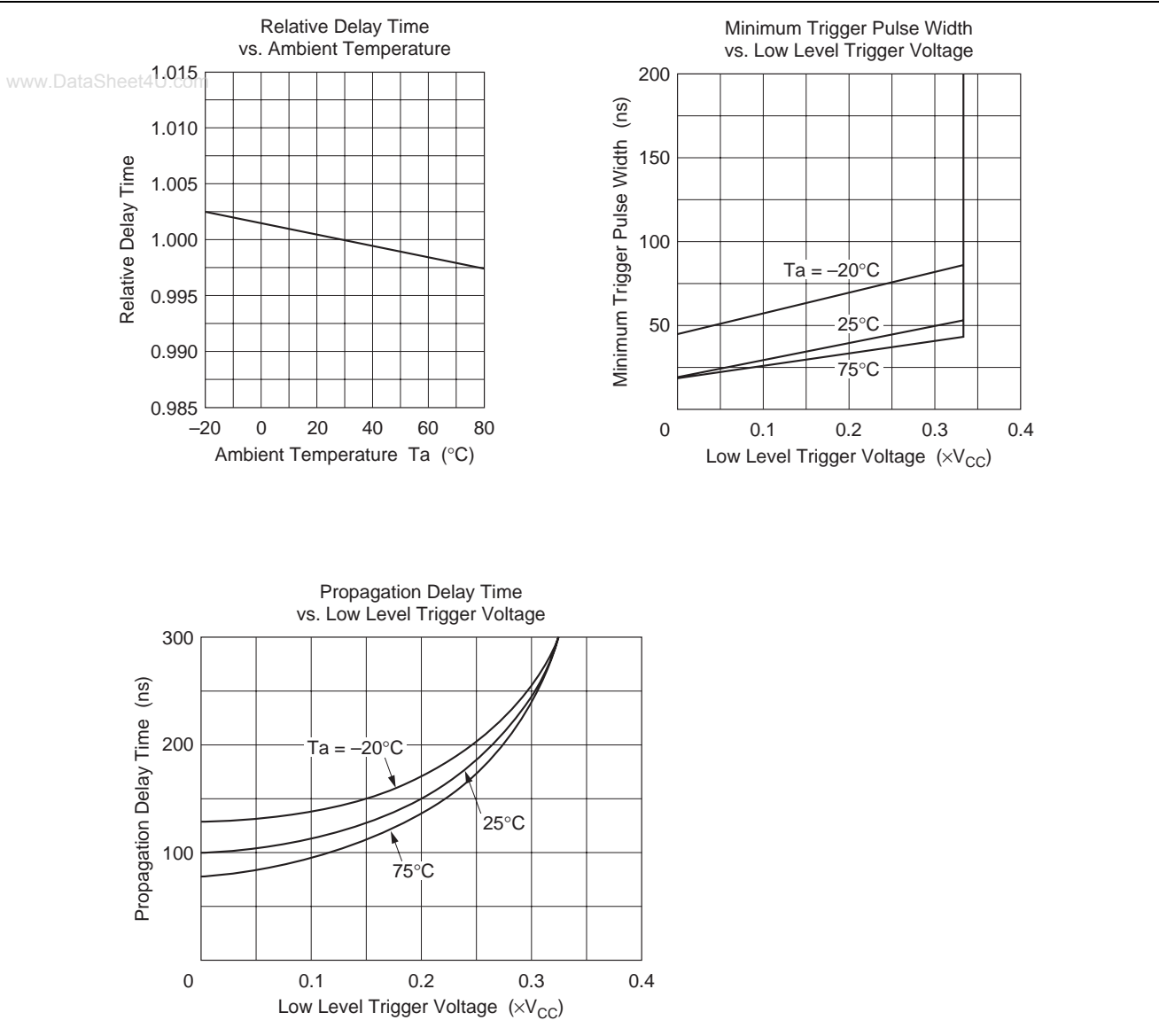
Item	Symbol	Min	Typ	Max	Unit	Test conditions
Supply voltage* <sup>1</sup>	V <sub>CC</sub>	4.5	—	16.0	V	
Supply current	I <sub>CC</sub>	—	3.0	6.0	mA	V <sub>CC</sub> = 5 V, R <sub>L</sub> = ∞
	I <sub>CC</sub>	—	10	15	mA	V <sub>CC</sub> = 15 V, R <sub>L</sub> = ∞
Timing error* <sup>2</sup> (Inherent error)	E <sub>t</sub>	—	1.0	—	%	
Timing error* <sup>2</sup> (T <sub>a</sub> dependency)	E <sub>t</sub>	—	50	—	ppm/°C	T <sub>a</sub> = -20 to +75°C
Timing error* <sup>2</sup> (Voltage dependency)	E <sub>t</sub>	—	0.01	—	%/V	V <sub>CC</sub> = 5 to 15 V
Threshold voltage	V <sub>th</sub>	—	2/3	—	V × V <sub>CC</sub>	
Trigger voltage	V <sub>T</sub>	—	5.0	—	V	V <sub>CC</sub> = 15 V
	V <sub>T</sub>	—	1.67	—	V	V <sub>CC</sub> = 5 V
Trigger current	I <sub>T</sub>	—	0.5	—	μA	
Reset voltage	V <sub>R</sub>	0.2	0.5	1.0	V	
Reset current	I <sub>R</sub>	—	0.1	—	mA	
Threshold current	I <sub>th</sub> * <sup>3</sup>	—	0.1	0.25	μA	
Control voltage	V <sub>CL</sub>	9	10	11	V	V <sub>CC</sub> = 15 V
	V <sub>CL</sub>	2.6	3.33	4.0	V	V <sub>CC</sub> = 5 V
Output voltage	V <sub>OL</sub>	—	0.1	0.25	V	V <sub>CC</sub> = 15 V, I <sub>sink</sub> = 10 mA
		—	0.4	0.75	V	V <sub>CC</sub> = 15 V, I <sub>sink</sub> = 50 mA
		—	2.0	2.5	V	V <sub>CC</sub> = 15 V, I <sub>sink</sub> = 100 mA
		—	2.5	—	V	V <sub>CC</sub> = 15 V, I <sub>sink</sub> = 200 mA
		—	0.25	0.35	V	V <sub>CC</sub> = 5 V, I <sub>sink</sub> = 5 mA
Output voltage	V <sub>OH</sub>	—	12.5	—	V	V <sub>CC</sub> = 15 V, I <sub>source</sub> = 200 mA
		12.75	13.3	—	V	V <sub>CC</sub> = 15 V, I <sub>source</sub> = 100 mA
		2.75	3.3	—	V	V <sub>CC</sub> = 5 V, I <sub>source</sub> = 100 mA
Output rise time	t <sub>r</sub>	—	100	—	ns	No loading
Output fall time	t <sub>f</sub>	—	100	—	ns	No loading
Oscillation pulse width* <sup>4</sup>	t <sub>w</sub>	10.0	—	—	ns	

Notes: 1. When output is low (When it is high, I<sub>CC</sub> is lower by 1 mA typically.)2. R<sub>A</sub>, R<sub>B</sub> = 1 k to 100 kΩ, C = 0.1 μF, V<sub>CC</sub> = 5 V or 15 V.3. (R<sub>A</sub> + R<sub>B</sub>) at V<sub>CC</sub> = 15 V is determined by the value of I<sub>th</sub>. It is 20 MΩ Max.

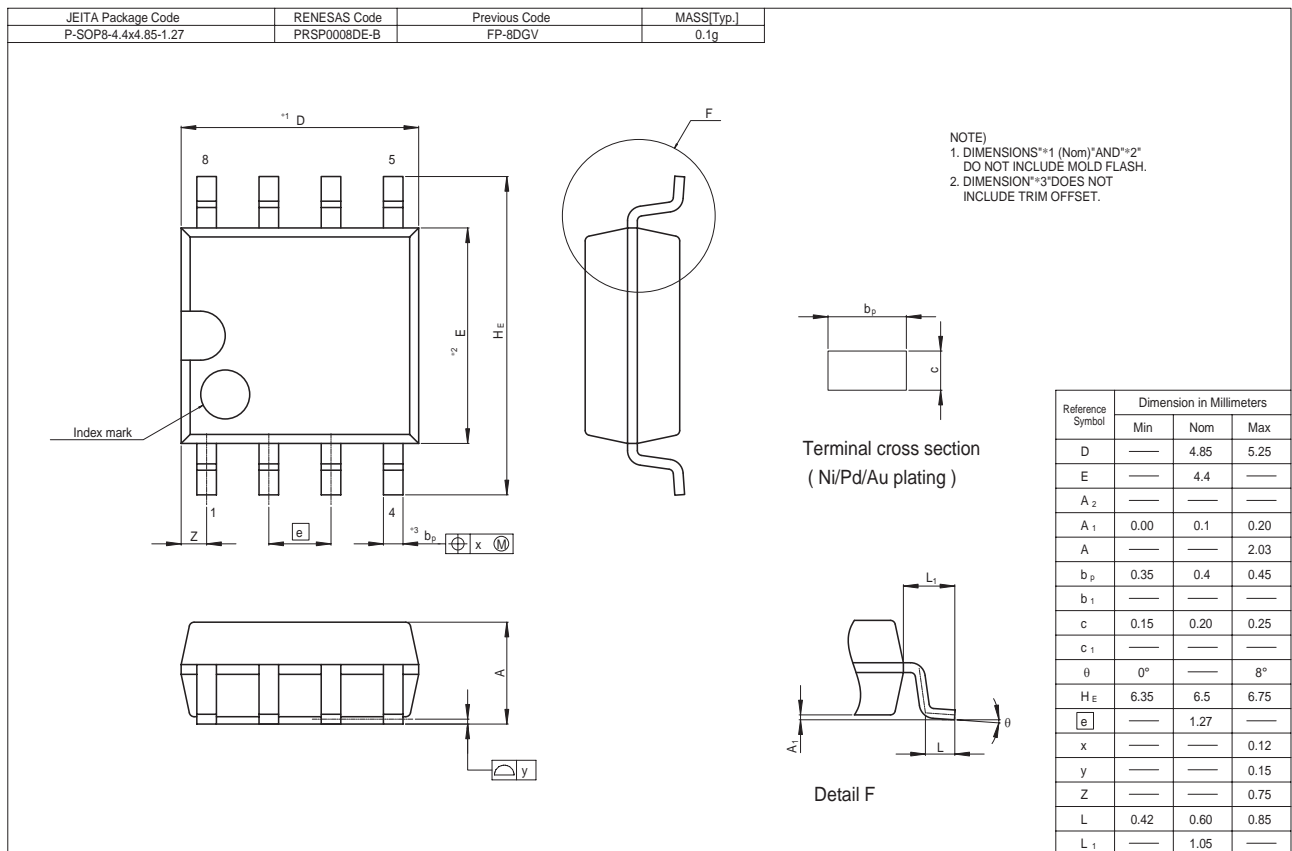
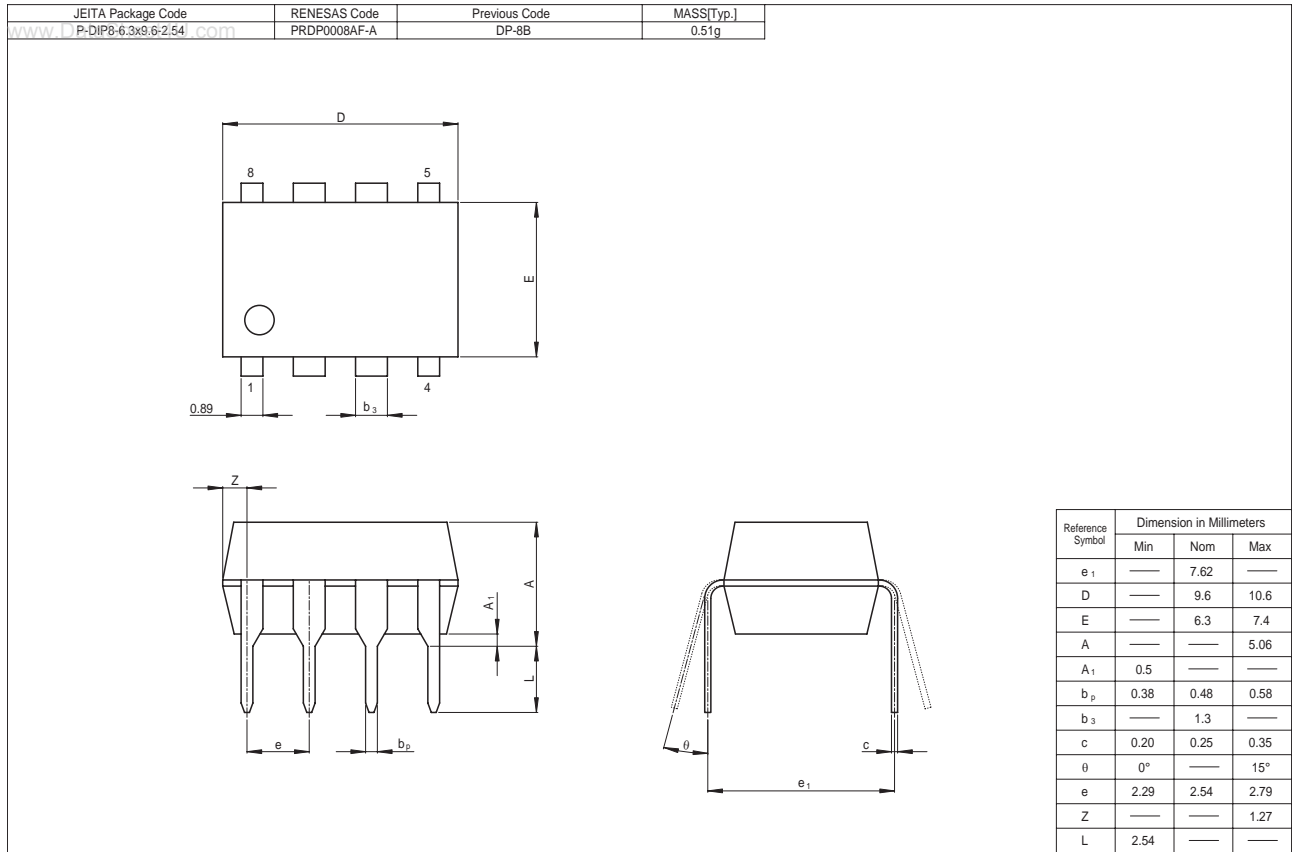
4. Output pulse width at mono multi circuit. Output high level pulse width at astable circuit.

Characteristic Curves





Package Dimensions



## RENESAS Technology Corp. Sales Strategic Planning Div. Nippon Bldg., 2-6-2, Ohte-machi, Chiyoda-ku, Tokyo 100-0004, Japan

Keep safety first in your circuit designs!

1. Renesas Technology Corp. puts the maximum effort into making semiconductor products better and more reliable, but there is always the possibility that trouble may occur with them. Trouble with semiconductors may lead to personal injury, fire or property damage.  
Remember to give due consideration to safety when making your circuit designs, with appropriate measures such as (i) placement of substitutive, auxiliary circuits, (ii) use of nonflammable material or (iii) prevention against any malfunction or mishap.

Notes regarding these materials

1. These materials are intended as a reference to assist our customers in the selection of the Renesas Technology Corp. product best suited to the customer's application; they do not convey any license under any intellectual property rights, or any other rights, belonging to Renesas Technology Corp. or a third party.
2. Renesas Technology Corp. assumes no responsibility for any damage, or infringement of any third-party's rights, originating in the use of any product data, diagrams, charts, programs, algorithms, or circuit application examples contained in these materials.
3. All information contained in these materials, including product data, diagrams, charts, programs and algorithms represents information on products at the time of publication of these materials, and are subject to change by Renesas Technology Corp. without notice due to product improvements or other reasons. It is therefore recommended that customers contact Renesas Technology Corp. or an authorized Renesas Technology Corp. product distributor for the latest product information before purchasing a product listed herein.  
The information described here may contain technical inaccuracies or typographical errors.  
Renesas Technology Corp. assumes no responsibility for any damage, liability, or other loss rising from these inaccuracies or errors.  
Please also pay attention to information published by Renesas Technology Corp. by various means, including the Renesas Technology Corp. Semiconductor home page (<http://www.renesas.com>).
4. When using any or all of the information contained in these materials, including product data, diagrams, charts, programs, and algorithms, please be sure to evaluate all information as a total system before making a final decision on the applicability of the information and products. Renesas Technology Corp. assumes no responsibility for any damage, liability or other loss resulting from the information contained herein.
5. Renesas Technology Corp. semiconductors are not designed or manufactured for use in a device or system that is used under circumstances in which human life is potentially at stake. Please contact Renesas Technology Corp. or an authorized Renesas Technology Corp. product distributor when considering the use of a product contained herein for any specific purposes, such as apparatus or systems for transportation, vehicular, medical, aerospace, nuclear, or undersea repeater use.
6. The prior written approval of Renesas Technology Corp. is necessary to reprint or reproduce in whole or in part these materials.
7. If these products or technologies are subject to the Japanese export control restrictions, they must be exported under a license from the Japanese government and cannot be imported into a country other than the approved destination.  
Any diversion or reexport contrary to the export control laws and regulations of Japan and/or the country of destination is prohibited.
8. Please contact Renesas Technology Corp. for further details on these materials or the products contained therein.



### RENESAS SALES OFFICES

<http://www.renesas.com>

Refer to "<http://www.renesas.com/en/network>" for the latest and detailed information.

#### **Renesas Technology America, Inc.**

450 Holger Way, San Jose, CA 95134-1368, U.S.A  
Tel: <1> (408) 382-7500, Fax: <1> (408) 382-7501

#### **Renesas Technology Europe Limited**

Dukes Meadow, Millboard Road, Bourne End, Buckinghamshire, SL8 5FH, U.K.  
Tel: <44> (1628) 585-100, Fax: <44> (1628) 585-900

#### **Renesas Technology Hong Kong Ltd.**

7th Floor, North Tower, World Finance Centre, Harbour City, 1 Canton Road, Tsimshatsui, Kowloon, Hong Kong  
Tel: <852> 2265-6688, Fax: <852> 2730-6071

#### **Renesas Technology Taiwan Co., Ltd.**

10th Floor, No.99, Fushing North Road, Taipei, Taiwan  
Tel: <886> (2) 2715-2888, Fax: <886> (2) 2713-2999

#### **Renesas Technology (Shanghai) Co., Ltd.**

Unit2607 Ruijing Building, No.205 Maoming Road (S), Shanghai 200020, China  
Tel: <86> (21) 6472-1001, Fax: <86> (21) 6415-2952

#### **Renesas Technology Singapore Pte. Ltd.**

1 Harbour Front Avenue, #06-10, Keppel Bay Tower, Singapore 098632  
Tel: <65> 6213-0200, Fax: <65> 6278-8001