
HA19508A/AMP

6-Bit D/A Converter

HITACHI

November 1996

Description

The HA19508A/AMP consists of high-speed, low-power 6-bit D/A converters. The digital and clocks inputs of these monolithic bipolar LSIs are TTL/CMOS compatible.

These devices are suitable for high-speed video processing.

Features

- High-precision 6-bit D/A conversion
- Single power supply: +5 V
- TTL/CMOS compatible clock and digital inputs.

Applications

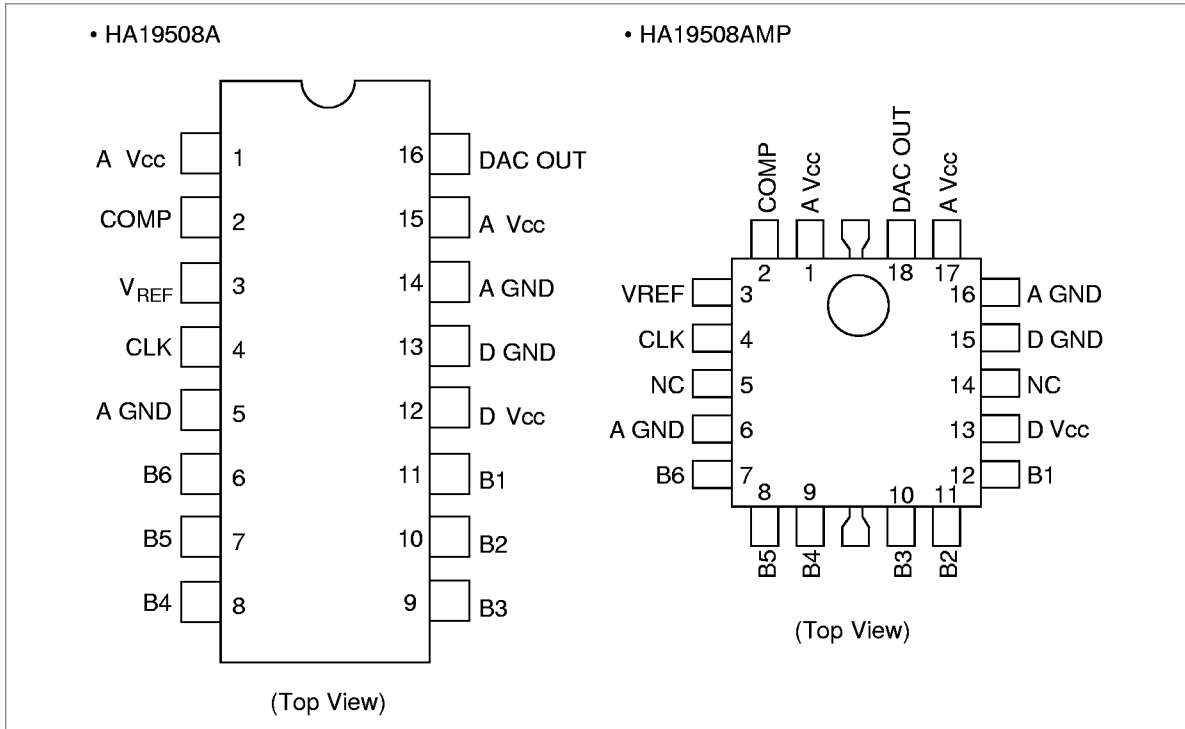
- Secondary storage devices, etc.

Ordering Information

Type No.	Package
HA19508A	300mil 16-pin plastic DIP (DP-16C)
HA19508AMP	18-pin plastic QFI (MP-18)

HA19508A/AMP

Pin Arrangement

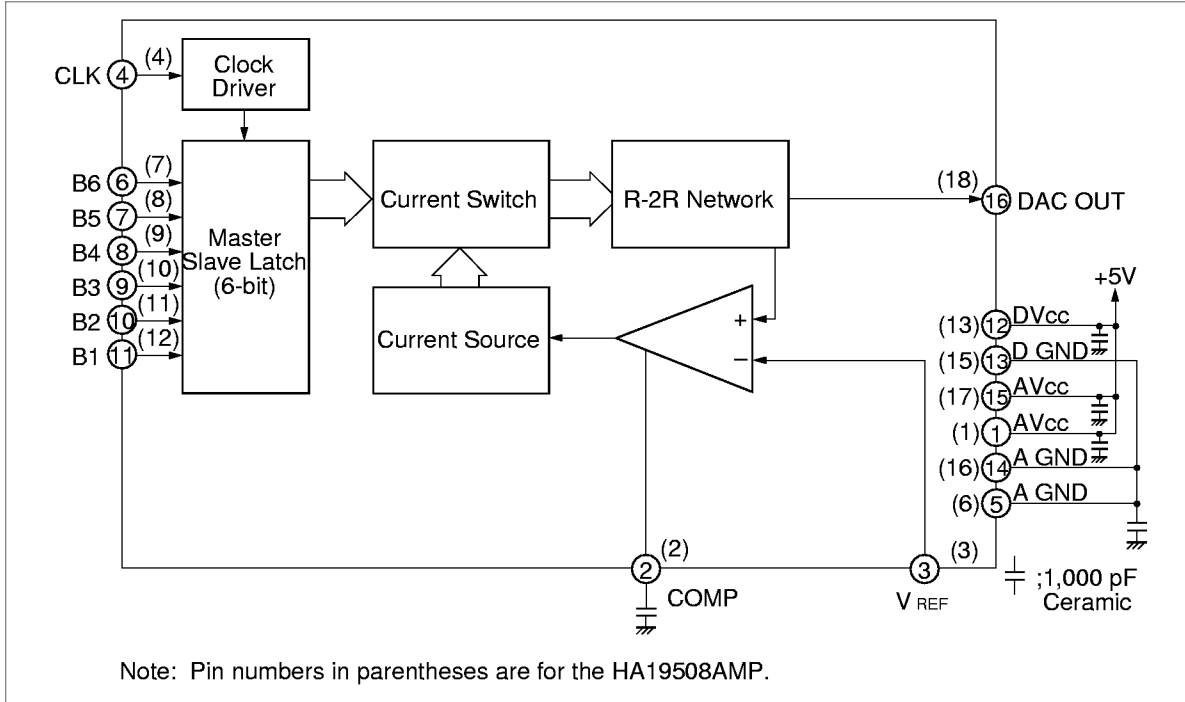


Pin Descriptions

Pin No.			
HA19508A	HA19508AMP	Symbol	Function
1	1	A V_{CC}	Analog power supply (+5 V)
2	2	COMP	Op amp phase compensation
3	3	V_{REF}	Reference voltage input
4	4	CLK	Clock input
5	6	AGND	Analog ground
6	7	B6	Digital input (MSB)
7	8	B5	Digital input
8	9	B4	Digital input
9	10	B3	Digital input
10	11	B2	Digital input
11	12	B1	Digital input (LSB)
12	13	D V_{CC}	Digital power supply (+5 V)
13	15	DGND	Digital ground
14	16	AGND	Analog ground
15	17	A V_{CC}	Analog power supply (+5 V)
16	18	DACOUT	DAC output

HA19508A/AMP

Block Diagram



Absolute Maximum Ratings (Ta = 25°C, unless otherwise specified)

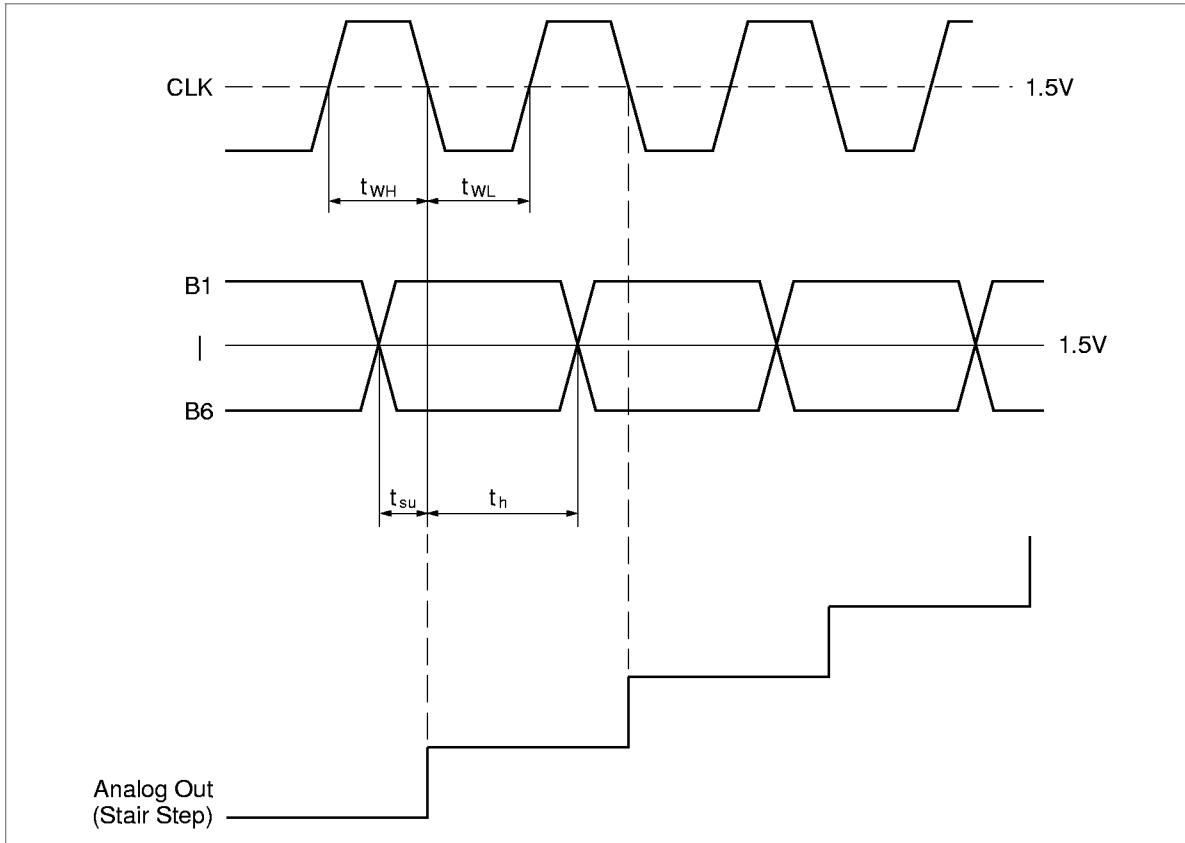
Item	Symbol	Rating	Unit
Power supply voltage	V_{CC}	+7.0	V
Digital input voltage	V_I	0 to V_{CC}	V
Power dissipation	P_T	500	mW
Operating temperature	T_{opr}	0 to +70	°C
Storage temperature	T_{stg}	-55 to +125	°C

Electrical Characteristics ($V_{CC} = 5.0$ V, $T_a = 25^\circ\text{C}$, $V_{REF} = 4.0$ V, unless otherwise specified)

Item	Symbol	Min	Typ	Max	Unit	Test conditions
Power supply voltage	V_{CC}	4.75	5.0	5.25	V	
Analog reference voltage	V_{REF}	3.8	4.0	—	V	
Power supply current	I_{CC}	—	26	36	mA	
Conversion rate	f_{CLK}	20	—	—	MHz	
Clock pulsewidth H-level	t_{WH}	25	—	—	ns	$f_{CLK} = 20$ MHz
Clock pulsewidth L-level	t_{WL}	25	—	—	ns	$f_{CLK} = 20$ MHz
Data setup time	t_{su}	12.5	—	—	ns	$f_{CLK} = 20$ MHz
Data hold time	t_h	12.5	—	—	ns	$f_{CLK} = 20$ MHz
Digital input voltage high	V_{IH}	2.0	—	V_{CC}	V	
Digital input voltage low	V_{IL}	0	—	0.8	V	
Digital input current high	I_{IH}	-30	-5	20	μA	$V_{IH} = 2.7$ V
Digital input current low	I_{IL}	-120	-50	5	μA	$V_{IL} = 0.4$ V
DAC output	Full scale	V_{FS}	$V_{CC} - 15$ m	V_{CC}	$V_{CC} + 15$ m	V
	Zero scale	V_{ZS}	3.956	4.016	4.076	V
Reference input current	I_{REF}	-20	0.5	20	μA	
Output impedance	Zout	63	80	100	Ω	
Linearity error	LE	-0.5	—	0.5	LSB	

HA19508A/AMP

Timing Chart



Output Code Table

B6	B5	B4	B3	B2	B1	Aout (V)
0	0	0	0	0	0	V_{ZS}
0	0	0	0	0	1	$V_{ZS} + 1 \text{ LSB}$
1	1	1	1	1	0	$V_{FS} - 1 \text{ LSB}$
1	1	1	1	1	1	V_{FS}

Note: $1 \text{ LSB} = (V_{FS} - V_{ZS})/63$

When using this document, keep the following in mind:

1. This document may, wholly or partially, be subject to change without notice.
2. All rights are reserved: No one is permitted to reproduce or duplicate, in any form, the whole or part of this document without Hitachi's permission.
3. Hitachi will not be held responsible for any damage to the user that may result from accidents or any other reasons during operation of the user's unit according to this document.
4. Circuitry and other examples described herein are meant merely to indicate the characteristics and performance of Hitachi's semiconductor products. Hitachi assumes no responsibility for any intellectual property claims or other problems that may result from applications based on the examples described herein.
5. No license is granted by implication or otherwise under any patents or other rights of any third party or Hitachi, Ltd.
6. **MEDICAL APPLICATIONS:** Hitachi's products are not authorized for use in **MEDICAL APPLICATIONS** without the written consent of the appropriate officer of Hitachi's sales company. Such use includes, but is not limited to, use in life support systems. Buyers of Hitachi's products are requested to notify the relevant Hitachi sales offices when planning to use the products in **MEDICAL APPLICATIONS**.

HITACHI

Hitachi, Ltd.

Semiconductor & IC Div.
Nippon Bldg., 2-6-2, Ohte-machi, Chiyoda-ku, Tokyo 100, Japan
Tel: Tokyo (03) 3270-2111
Fax: (03) 3270-5109

For further information write to:

Hitachi America, Ltd.
Semiconductor & IC Div.
2000 Sierra Point Parkway
Brisbane, CA. 94005-1835
U S A
Tel: 415-589-8300
Fax: 415-583-4207

Hitachi Europe GmbH
Electronic Components Group
Continental Europe
Dornacher Straße 3
D-85622 Feldkirchen
München
Tel: 089-9 91 80-0
Fax: 089-9 29 30 00

Hitachi Europe Ltd.
Electronic Components Div.
Northern Europe Headquarters
Whitebrook Park
Lower Cookham Road
Maidenhead
Berkshire SL6 8YA
United Kingdom
Tel: 0628-585000
Fax: 0628-778322

Hitachi Asia Pte. Ltd.
16 Collyer Quay #20-00
Hitachi Tower
Singapore 0104
Tel: 535-2100
Fax: 535-1533

Hitachi Asia (Hong Kong) Ltd.
Unit 706, North Tower,
World Finance Centre,
Harbour City, Canton Road
Tsim Sha Tsui, Kowloon
Hong Kong
Tel: 27359218
Fax: 27306071