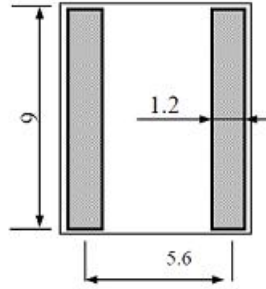
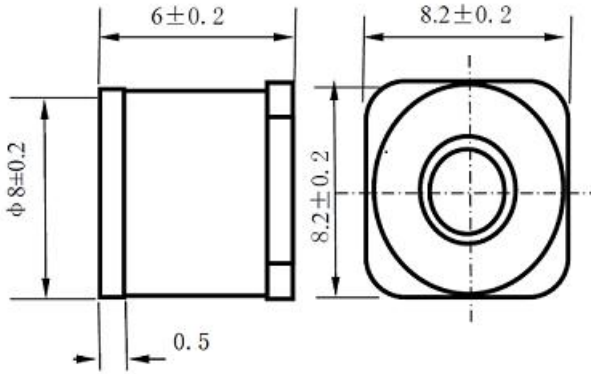


2-Electrode Gas Discharge Tubes

1: Dimension(mm)

5KA
Surface Mount



2: Main Applications

- PCI Cards protection
- Telephone/Fax/Modem protection
- single line protection
- ADSL/XDSL Splitter, Power Supply
- Surge Protection Device/Surge Protector

3: Features

- 100% Lead-Free (RoHS Compliant)
- Non-Radioactive
- Low capacitance: ≤1pF
- Small size : Φ8x6(mm)
- Safety certification: File number: E505240

4 Electrical Characteristics

Part Number	DC Spark-over Voltage	Impulse Spark-over Voltage	Impulse Spark-over Voltage	Insulation Resistance	Impulse discharge current 8/20μs	Impulse Life 300 hits	AC discharge current 50Hz, 1s	Delivery time	UL Certificate
	@100V/μs	@100V/μs	@1KV/μs	GΩ	10 Times	10x1000μs	10times	days	UL497B
HA2R8-75SMD	75V ±20%	≤500V	≤ 600V	>1GΩ	5KA	100A	5A	12days	E505240
HA2R8-90SMD	90V ±20%	≤500V	≤ 600V	>1GΩ	5KA	100A	5A	12days	E505240
HA2R8-140SMD	140V±20%	≤500V	≤ 600V	>1GΩ	5KA	100A	5A	12days	E505240
HA2R8-150SMD	150V±20%	≤500V	≤ 600V	>1GΩ	5KA	100A	5A	12days	E505240
HA2R8-200SMD	200V±20%	≤600V	≤ 700V	>1GΩ	5KA	100A	5A	12days	E505240
HA2R8-230SMD	230V±20%	≤600V	≤ 700V	>1GΩ	5KA	100A	5A	12days	E505240
HA2R8-250SMD	250V±20%	≤600V	≤ 700V	>1GΩ	5KA	100A	5A	12days	E505240
HA2R8-260SMD	260V±20%	≤700V	≤ 800V	>1GΩ	5KA	100A	5A	12days	E505240
HA2R8-300SMD	300V±20%	≤800V	≤ 900V	>1GΩ	5KA	100A	5A	12days	E505240
HA2R8-350SMD	350V±20%	≤900V	≤ 1000V	>1GΩ	5KA	100A	5A	12days	E505240
HA2R8-400SMD	400V±20%	≤900V	≤ 1000V	>1GΩ	5KA	100A	5A	12days	E505240
HA2R8-420SMD	420V±20%	≤900V	≤ 1000V	>1GΩ	5KA	100A	5A	12days	E505240
HA2R8-470SMD	470V±20%	≤1100V	≤ 1200V	>1GΩ	5KA	100A	5A	12days	E505240
HA2R8-500SMD	500V±20%	≤1100V	≤ 1200V	>1GΩ	5KA	100A	5A	12days	E505240
HA2R8-550SMD	550V±20%	≤1300V	≤ 1400V	>1GΩ	5KA	100A	5A	12days	E505240
HA2R8-600SMD	600V±20%	≤1300V	≤1400V	>1GΩ	5KA	100A	5A	12days	E505240

4 Electrical Characteristics

Continue

Part Number	DC Holdover Voltage	On-State Voltage	Impulse discharge current 8/20μs	Peak Current @10/350 μs	Arc voltage at 1 A	Glow to arc transition current	Glow voltage	Weight
	Per ITU K.12 (<150ms)	Nominal @ 1A	1time	1time	V	A	V	g
HA2R8-75SMD	<52V	20V	10KA	1KA	~ 10V	< 0.8A	~ 55V	~1.5g
HA2R8-90SMD	<52V	20V	10KA	1KA	~ 12V	< 0.8A	~ 55V	~1.5g
HA2R8-140SMD	<80V	20V	10KA	1KA	~ 12V	< 0.5A	~ 60V	~1.5g
HA2R8-150SMD	<80V	20V	10KA	1KA	~ 12V	< 0.5A	~ 60V	~1.5g
HA2R8-200SMD	<135V	20V	10KA	1KA	~ 12V	< 0.5A	~ 60V	~1.5g
HA2R8-230SMD	<135V	20V	10KA	1KA	~ 12V	< 0.5A	~ 60V	~1.5g
HA2R8-250SMD	<135V	20V	10KA	1KA	~ 12V	< 0.5A	~ 60V	~1.5g
HA2R8-260SMD	<135V	20V	10KA	1KA	~ 12V	< 0.5A	~ 60V	~1.5g
HA2R8-300SMD	<150V	20V	10KA	1KA	~ 12V	< 0.2A	~ 60V	~1.5g
HA2R8-350SMD	<150V	20V	10KA	1KA	~ 12V	< 0.2A	~ 60V	~1.5g
HA2R8-400SMD	<150V	20V	10KA	1KA	~ 12V	< 0.2A	~ 60V	~1.5g
HA2R8-420SMD	<150V	20V	10KA	1KA	~ 12V	< 0.2A	~ 60V	~1.5g
HA2R8-470SMD	<150V	20V	10KA	1KA	~ 12V	< 0.2A	~ 60V	~1.5g
HA2R8-500SMD	<150V	20V	10KA	1KA	~ 12V	< 0.2A	~ 60V	~1.5g
HA2R8-550SMD	<150V	20V	10KA	1KA	~ 12V	< 0.2A	~ 60V	~1.5g
HA2R8-600SMD	<150V	20V	10KA	1KA	~ 12V	< 0.2A	~ 60V	~1.5g

1:At delivery AQL 0.65 leave II Military Standard 105 E

2:In ionized mode

3:Test according to ITU-T Rec.k.12

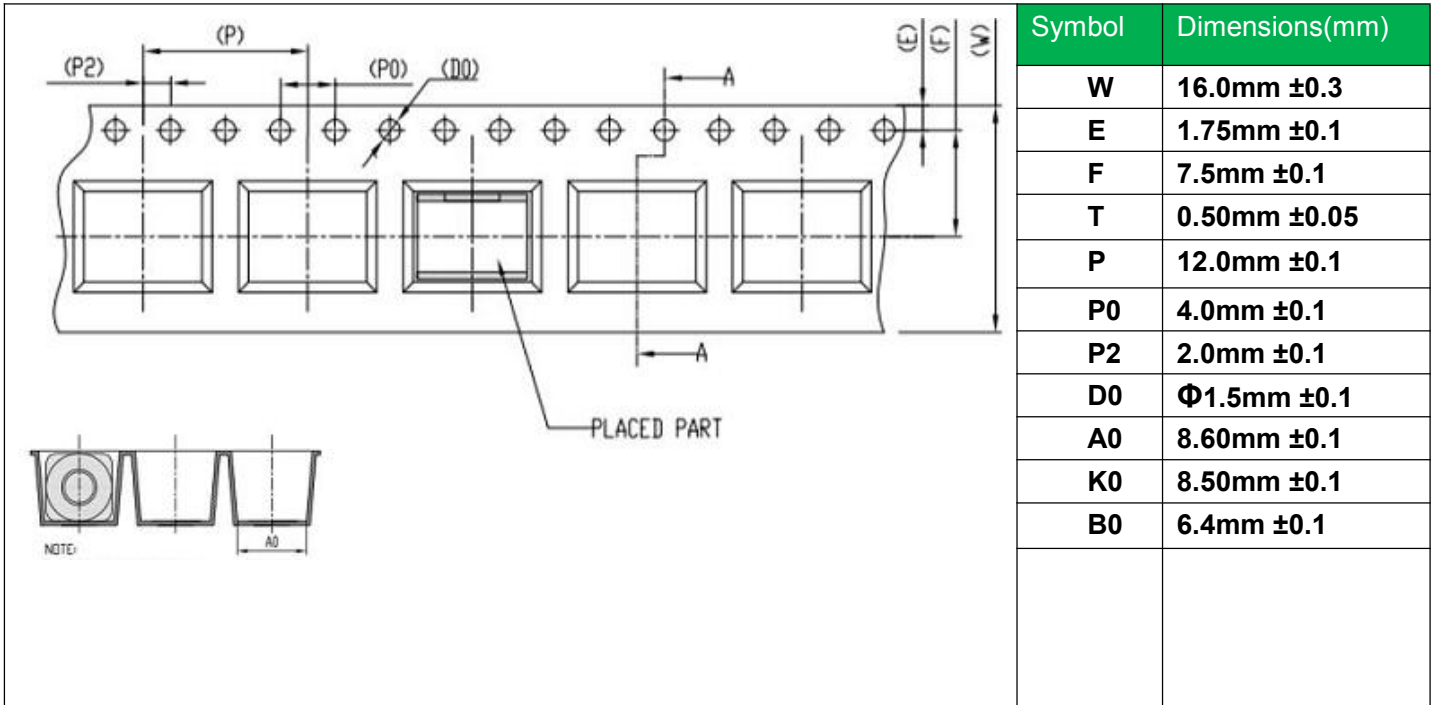
Environmental resistance

Storage temperature:	-40℃----+90℃
Operating temperature:	-40℃----+90℃
Electrode:	Tin Plated

Example Part Number: HA2R8-90SMD

HA	=	HUAAN
2	=	2 Electrode device
R	=	Gas Discharge Tube
8	=	8mm Diameter
90	=	90V
SMD	=	Surface-mount, 5KA Surge

Tape Specification and Reel Dimensions



Packaging Quantity

Part Number	Quantity	
	Per Tray	Per Carton
HA2R8-xxxSMD Series	500PCS	4000PCS