

4-Line Low Capacitance TVS Diode Array



APPLICATION

- ◆ USB 2.0 power and data line
- ◆ Monitors and flat panel displays
- ◆ Set-top box and digital TV
- ◆ Video graphics cards
- ◆ Digital video interface (DVI)
- ◆ Notebook Computers
- ◆ SIM Ports
- ◆ 10/100 Ethernet
- ◆ IEEE 1394 firewire ports



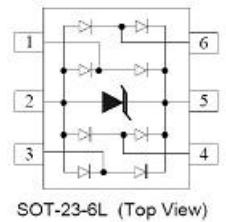
IEC COMPATIBILITY

Package: SOT23-6

- ◆ IEC61000-4-2 (ESD) ±30kV (air), ±30kV (contact)
- ◆ IEC61000-4-4 (EFT) 40A (5/50ns)
- ◆ IEC61000-4-5 (Lightning)12A (8/20µs)

FEATURES

- ◆ Ultra low capacitance: 5.0pF typical (I/O to I/O)
- ◆ Ultra low leakage: nA level
- ◆ Working voltage: 5V
- ◆ Low clamping voltage
- ◆ Up to 4 data lines and one power line protects



Electrical Characteristics

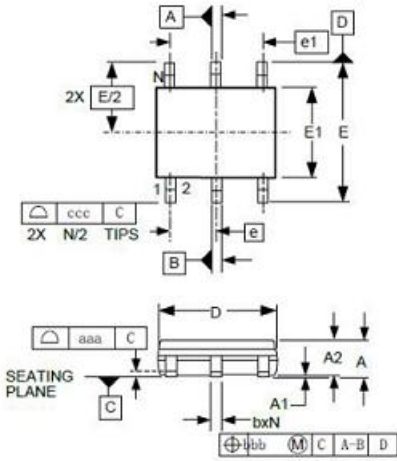
Parameter	Symbol	Value	Unit
Peak Pulse Power (tp=8/20µs waveform)	P _{ppp}	300	W
Peak Pulse Current (8/20µs)	I _{pp}	12	A
ESD per IEC 61000-4-2 (Air)	V _{ESD}	±30	kV
ESD per IEC 61000-4-2 (Contact)		±30	
Operating Temperature Range	T _J	-55 to +125	°C
Storage Temperature Range	T _{stg}	-55 to +150	°C

Electrical Characteristics

Part Number	VRWM	VBR	IR (max)	Co Max value	Vc @1A Max	Vc @ A Max	Ipp@8/20us	Ppp 8/20us	Delivery Time
	V	V	(µA)	pF	V	V	A max	W	Days
HAL0524S2	5	6	5	5.0	15	25	12	300	7days

4-Line Low Capacitance TVS Diode Array

Package mechanical data



SYM	DIMENSIONS					
	MILLIMETERS			INCHES		
	MIN	NOM	MAX	MIN	NOM	MAX
A	0.90	-	1.45	.035	-	.057
A1	0.00	-	0.15	.000	-	.006
A2	0.90	1.25	1.30	.035	.049	.051
b	0.35	-	0.50	.010	-	.020
c	0.08	-	0.20	.003	-	.007
D	2.80	2.90	3.00	.110	.114	.122
E1	1.50	1.625	1.75	.060	.063	.069
E	2.80 BSC			.110 BSC		
e	0.95 BSC			.037BSC		
e1	1.90BSC			.075BSC		
L	0.35	0.45	0.60	.013	.018	.024
L1	(0.60)			(.024)		
θ	0°	-	8°	0°	-	8°
N	6			6		
aaa	0.10			.004		
bbb	0.20			.008		
ccc	0.20			.008		

Ordering Information

Part Number	Qty per Reel	Reel Size	Package	Delivery Time
HAL0524S2	3000pcs	7inch	SOT23-6	7days

Specifications are subject to change without notice

2

Tel: +86-755-27465585

HUAAN LIMITED

www.huaandz.com

Email: sales@huaandz.com