



Patent No.:201120133518.4

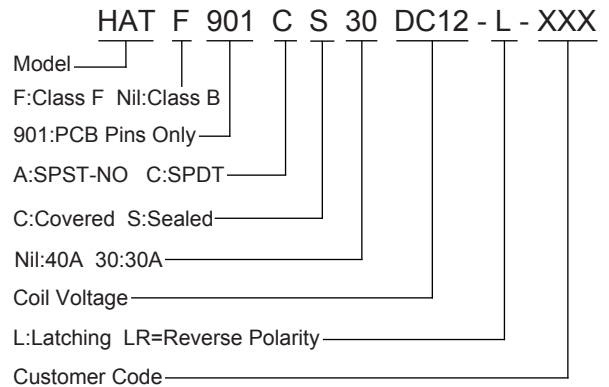
FEATURES

- Large switch capacity up to 40A
- Green Energy Saving

CONTACT RATINGS

Contact Arrangement	1A, 1C
Contact Resistance	50mΩ(1A 24VDC)
Contact Material	AgSnO, Silver Alloy
Contact Rating(Resistive)	30/40A 277VAC 30A/28VDC
Max. Switching Voltage	277VAC/28VDC
Max. Switching Current	40A
Max. Switching Power	7200VA/560W
Mechanical Life	1×10 ⁷ times
Electrical Life	1×10 ⁵ times

ORDERING INFORMATION



Note:This relay do not have pin 6.

CHARACTERISTICS

Insulation Resistance	1000MΩ (at 500VDC)	
Dielectric Strength	Between coil & contacts	2000VAC 1min
	Between open contacts	1500VAC 1min
Reacting time (at nomi. volt.)	15ms max.	
Resetting time (at nomi. volt.)	10ms max.	
Humidity	98% RH,40°C	
Ambient temperature	-20°C ~ +85°C	
Shock Resistance	Functional	98m/s ²
	Destructive	980m/s ²
Vibration resistance	10Hz to 55Hz 1.5mm DA	
Unit weight	Approx. 26g	
Construction	Sealed, Covered	

Notes: The data shown above are initial values.

COIL DATA

at 25°C

Nominal Voltage VDC	Action/Reset Voltage VDC	Impulse Width ms	Coil Resistance Ω±10%
5	4.0	100	21
6	4.8	100	30
9	7.2	100	67.5
12	9.6	100	120
24	19.2	100	480
48	38.4	100	1920

COIL

Coil Power	1200mW
------------	--------

This datasheet is for customers' reference. All the specifications are subject to change without notice.



RELAYS

* SINCE 1976 *

TEL:(516) 328-9292 FAX:(516)326-9125 www.hascorelays.com email:info@hascorelays.com

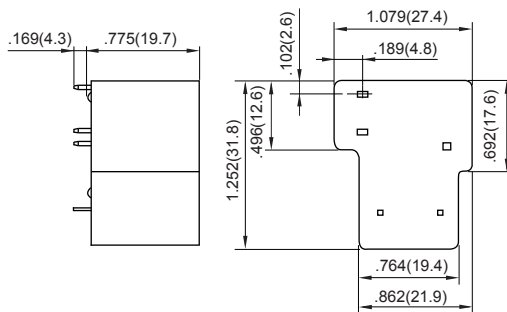
SAFETY APPROVAL RATINGS

UL&CUL	NO	1HP/120VAC, 2HP/277VAC, 2HP/240VAC 20A/277VAC Ballast, 30A/120VAC Ballast
	NC	2HP/277VAC, 1HP/120VAC 10A/277VAC Ballast, 2A/120VAC Tungsten

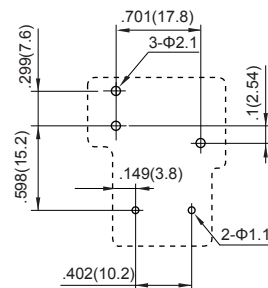
OUTLINE DIMENSIONS, WIRING DIAGRAM AND PC BOARD LAYOUT.

Unit: inch(mm)

Outline Dimensions



PCB Layout (Bottom view)



		1A		1C	
Wiring Diagram (Bottom view)	Straight Polarity				
	Reverse Polarity				

Remark:1) In case of no tolerance shown in outline dimension: outline dimension $\leq 1\text{mm}$, tolerance should be $\pm 0.2\text{mm}$; outline dimension $> 1\text{mm}$ and $\leq 5\text{mm}$, tolerance should be $\pm 0.3\text{mm}$; outline dimension $> 5\text{mm}$, tolerance should be $\pm 0.4\text{mm}$.

2) The tolerance without indicating for PCB layout is always $\pm 0.1\text{mm}$.

Notice

- Relay is on the "reset" or "set" status when being released from stock, with the consideration of shock arisen from transit and relay mounting, relay would be changed to "set" or "reset" status, therefore, when application (connecting the power supply), please reset the relay to "set" or "reset" status on request.
- In order to maintain "set" or "reset" status, energized voltage to coil should reach the rated voltage, impulse width should be 5 times more than "set" or "reset" time. Do not energize voltage to "set" coil and "reset" coil simultaneously. Long energized time (more than 1 min) should be avoided.

This datasheet is for customers' reference. All the specifications are subject to change without notice.



RELAYS

* SINCE 1976 *

TEL:(516) 328-9292 FAX:(516)326-9125 www.hascorelays.com email:info@hascorelays.com