



PROPRIETARY NOTE
THIS SPECIFICATION IS THE PROPERTY OF BOE HF AND SHALL NOT BE REPRODUCED OR COPIED WITHOUT THE WRITTEN PERMISSION OF BOE HF AND MUST BE RETURNED TO BOE HF UPON ITS REQUEST

SPEC. NUMBER	PRODUCT GROUP TFT-LCD	Rev. P0	ISSUE DATE 2012.06.28	PAGE 1 OF 37
--------------	--------------------------	------------	--------------------------	-----------------

**PRODUCT SPECIFICATION
FOR
APPROVAL**

Model Name	HB140WX1-501
Description	14.0HD color TFT-LCD with LED backlight / Glare surface
Prepared by	Vincent Jiang/ Engineer
Checked by	Jonathan Jia/ Manager
Approved by	Charles Hou / Dept. Manager

Customer	Lenovo
-----------------	--------

APPROVED BY

DATE

Please return one copy for confirmation with your signature and comments



PROPRIETARY NOTE
THIS SPECIFICATION IS THE PROPERTY OF BOE HF AND SHALL NOT BE REPRODUCED OR COPIED WITHOUT THE WRITTEN PERMISSION OF BOE HF AND MUST BE RETURNED TO BOE HF UPON ITS REQUEST

SPEC. NUMBER	PRODUCT GROUP TFT-LCD	Rev. P0	ISSUE DATE 2012.06.28	PAGE 2 OF 36
--------------	--------------------------	------------	--------------------------	-----------------

HB140WX1-501
Preliminary Product Specification
Rev. P0

HEFEI BOE OPTOELECTRONICS TECHNOLOGY



PRODUCT GROUP

REV

ISSUE DATE

TFT- LCD PRODUCT

P0

2012.06.28

SPEC. NUMBER

SPEC. TITLE

PAGE

HB140WX1-501 Preliminary Product Specification

3 OF 36

REVISION HISTORY

REV	ECN No.	DESCRIPTION OF CHANGES	DATE	PREPARED
P0	-	Initial Release	2012.06.28	金珍



京东方
BOE

PRODUCT GROUP

REV

ISSUE DATE

TFT- LCD PRODUCT

P0

2012.06.28

SPEC. NUMBER

SPEC. TITLE


PAGE

HB140WX1-501 Preliminary Product Specification

4 OF 36

Contents

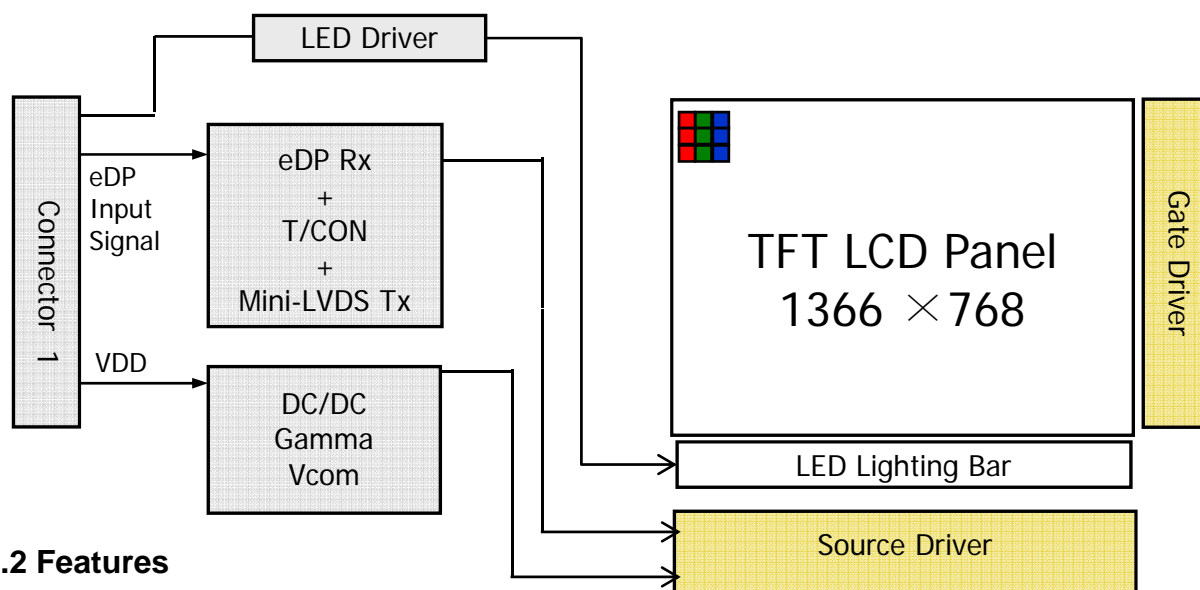
No.	Items	Page
1.0	General Description	5
2.0	Absolute Maximum ratings	7
3.0	Electrical specifications.	8
4.0	Optical specifications.	10
5.0	Interface Connection	15
6.0	Signal Timing Specification	19
7.0	Input Signals, Display Colors & Gray Scale of Colors	21
8.0	Power Sequence	22
9.0	Connector description	23
10.0	Mechanical Characteristics	24
11.0	Reliability Test	25
12.0	Handling & Cautions.	25
13.0	Label	26
14.0	Packing information	28
15.0	Mechanical Outline Dimension	29
16.0	EDID Table	31

 京东方 BOE	PRODUCT GROUP	REV	ISSUE DATE
	TFT- LCD PRODUCT	P0	2012.06.28
SPEC. NUMBER	SPEC. TITLE	PAGE	
	HB140WX1-501 Preliminary Product Specification	5 OF 36	

1.0 GENERAL DESCRIPTION

1.1 Introduction

HB140WX1-501 is a color active matrix TFT LCD module using amorphous silicon TFT's (Thin Film Transistors) as an active switching devices. This module has a 14.0 inch diagonally measured active area with WXGA resolutions (1366 horizontal by 768 vertical pixel array). Each pixel is divided into RED, GREEN, BLUE dots which are arranged in vertical Stripe and this module can display 262,144 colors. The TFT-LCD panel used for this module is a low reflection and higher color type. Therefore, this module is suitable for Notebook PC. The LED Driver for back-light driving is built in this model. All input signals are eDP interface compatible.



1.2 Features

- 1 lane eDP Interface with 2.7Gbps Link Rates
- Thin and light weight
- 6-bit color depth, display 262K colors
- Single LED Lighting Bar. (Down side/Horizontal Direction)
- Up/Down Mounting frame
- Green Product (RoHS & Halogen free product)
- On board LED Driving circuit
- Low driving voltage and low power consumption
- On board EDID chip



PRODUCT GROUP

REV

ISSUE DATE

TFT- LCD PRODUCT

P0

2012.06.28

SPEC. NUMBER

SPEC. TITLE

PAGE

HB140WX1-501 Preliminary Product Specification

6 OF 36

1.3 Application

- Notebook PC (Wide type)

1.4 General Specification

The followings are general specifications at the model HB140WX1-501. (listed in Table 1.)

<Table 1. General Specifications>

Parameter	Specification	Unit	Remarks
Active area	309.4(H) × 173.95(V)	mm	
Number of pixels	1366 (H) × 768 (V)	pixels	
Pixel pitch	0.2265(H) × 0.2265 (V)	mm	
Pixel arrangement	RGB Vertical stripe		
Display colors	262K	colors	
Display mode	Normally White		
Dimensional outline	320.9(H)*187.6(V)*3.0(Max)	mm	
Weight	290(max)	g	
Surface treatment	Hard-Coating 3H		
Back-light	Down edge side, 1-LED Lighting Bar type		Note 1
Power consumption	P _D : 1.0(max)	W	
	P _{BL} : 2.3 (max)	W	
	P _{total} : 3.3(max)	W	

Notes : 1. LED Lighting Bar (36*LED Array)

 京东方 BOE	PRODUCT GROUP	REV	ISSUE DATE
	TFT- LCD PRODUCT	P0	2012.06.28
SPEC. NUMBER	SPEC. TITLE	PAGE	
	HB140WX1-501 Preliminary Product Specification	7 OF 36	

2.0 ABSOLUTE MAXIMUM RATINGS

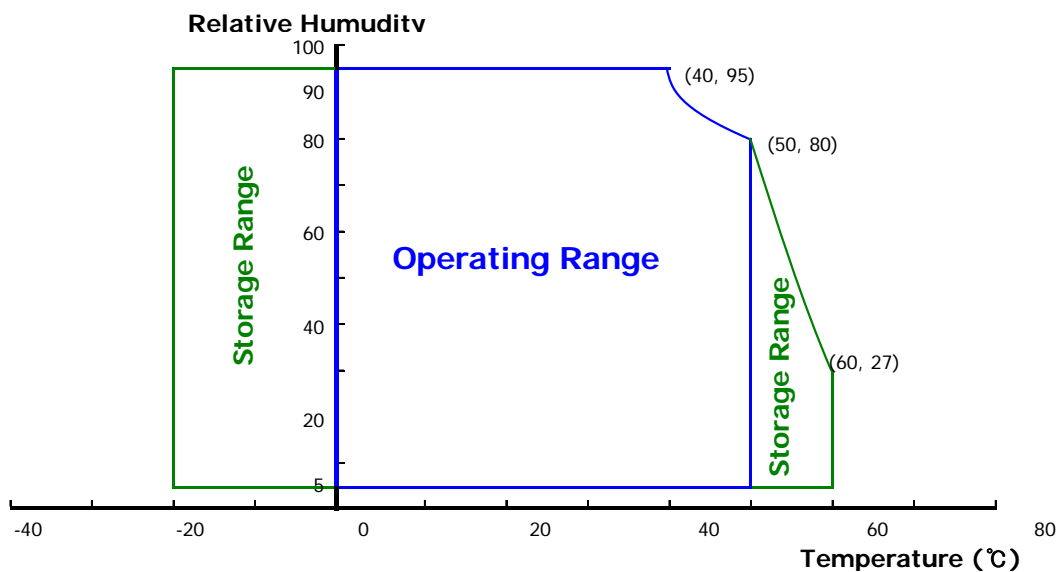
The followings are maximum values which, if exceed, may cause faulty operation or damage to the unit. The operational and non-operational maximum voltage and current values are listed in Table 2.


< Table 2. Absolute Maximum Ratings >

Ta=25+/-2°C

Parameter	Symbol	Min.	Max.	Unit	Remarks
Power Supply Voltage	V _{DD}	-0.3	4.0	V	Note 1
Logic Supply Voltage	V _{IN}	V _{SS} -0.3	V _{DD} +0.3	V	
Operating Temperature	T _{OP}	0	+50	°C	Note 2
Storage Temperature	T _{ST}	-20	+60	°C	

- Notes : 1. Permanent damage to the device may occur if maximum values are exceeded functional operation should be restricted to the condition described under normal operating conditions.
2. Temperature and relative humidity range are shown in the figure below.
 95 % RH Max. (40 °C ≥ Ta)
 Maximum wet - bulb temperature at 39 °C or less. (Ta > 40 °C) No condensation.



 京东方 BOE	PRODUCT GROUP	REV	ISSUE DATE
	TFT- LCD PRODUCT	P0	2012.06.28
SPEC. NUMBER	SPEC. TITLE HB140WX1-501 Preliminary Product Specification		PAGE 8 OF 36

3.0 ELECTRICAL SPECIFICATIONS

3.1 Electrical Specifications

< Table 3. Electrical specifications >

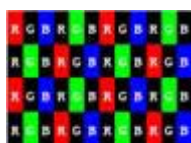
Ta=25+/-2°C

Parameter		Min.	Typ.	Max.	Unit	Remarks
Power Supply Voltage	V _{DD}	3.0	3.3	3.6	V	Note 1
Permissible Input Ripple Voltage	V _{RF}	-	-	100	mV	At V _{DD} = 3.3V
Power Supply Current	I _{DD}	-	244	-	mA	Note 1
Positive-going Input Threshold Voltage	V _{IT+}	-	-	100	mV	V _{cm} = 1.2V typ.
Negative-going Input Threshold Voltage	V _{IT-}	-100	-	-	mV	
Differential Input Voltage	V _{ID}	380	-	1200	mV	
Power Consumption	P _D	-	0.9	1.0	W	Note 1
	P _{BL}	-		2.3	W	Note 2
	P _{total}	-	3.1	3.3	W	

Notes : 1. The supply voltage is measured and specified at the interface connector of LCM.
The current draw and power consumption specified is for 3.3V at 25°C.

a) Typ : Window XP pattern

b) Max : Vertical 2 line skip pattern



2. Calculated value for reference (V_{LED} × I_{LED})



京东方
BOE

PRODUCT GROUP

TFT- LCD PRODUCT

REV

P0

ISSUE DATE

2012.06.28

SPEC. NUMBER

SPEC. TITLE

HB140WX1-501 Preliminary Product Specification

PAGE

9 OF 36

3.2 Backlight Unit

< Table 4. LED Driving guideline specifications >

Ta=25+/-2°C

Parameter		Min.	Typ.	Max.	Unit	Remarks
LED Forward Voltage	V_F			3.0	V	-
LED Forward Current	I_F	-	18.6		mA	-
LED Power Consumption	P_{LED}			2.3	W	Note 1
LED Life-Time	N/A	15,000	-	-	Hour	$I_F = 20mA$
Power supply voltage for LED Driver	V_{LED}	6	12	21	V	
EN Control Level	Backlight on	2.0		5.0	V	
	Backlight off	0		1.0	V	
PWM Control Level	PWM High Level	2.0		5.0	V	
	PWM Low Level	0		0.1	V	
PWM Control Frequency	F_{PWM}	100	-	10,000	Hz	
Duty Ratio	-	1	-	100	%	

Notes : 1. Power supply voltage 12V for LED Driver, Driver efficiency 90%,
 Calculator Value for reference $I_F \times V_F \times 36 / 0.9 = P_{LED}$

2. The LED Life-time define as the estimated time to 50% degradation of initial luminous.



PRODUCT GROUP

REV

ISSUE DATE

TFT- LCD PRODUCT

P0

2012.06.28

SPEC. NUMBER

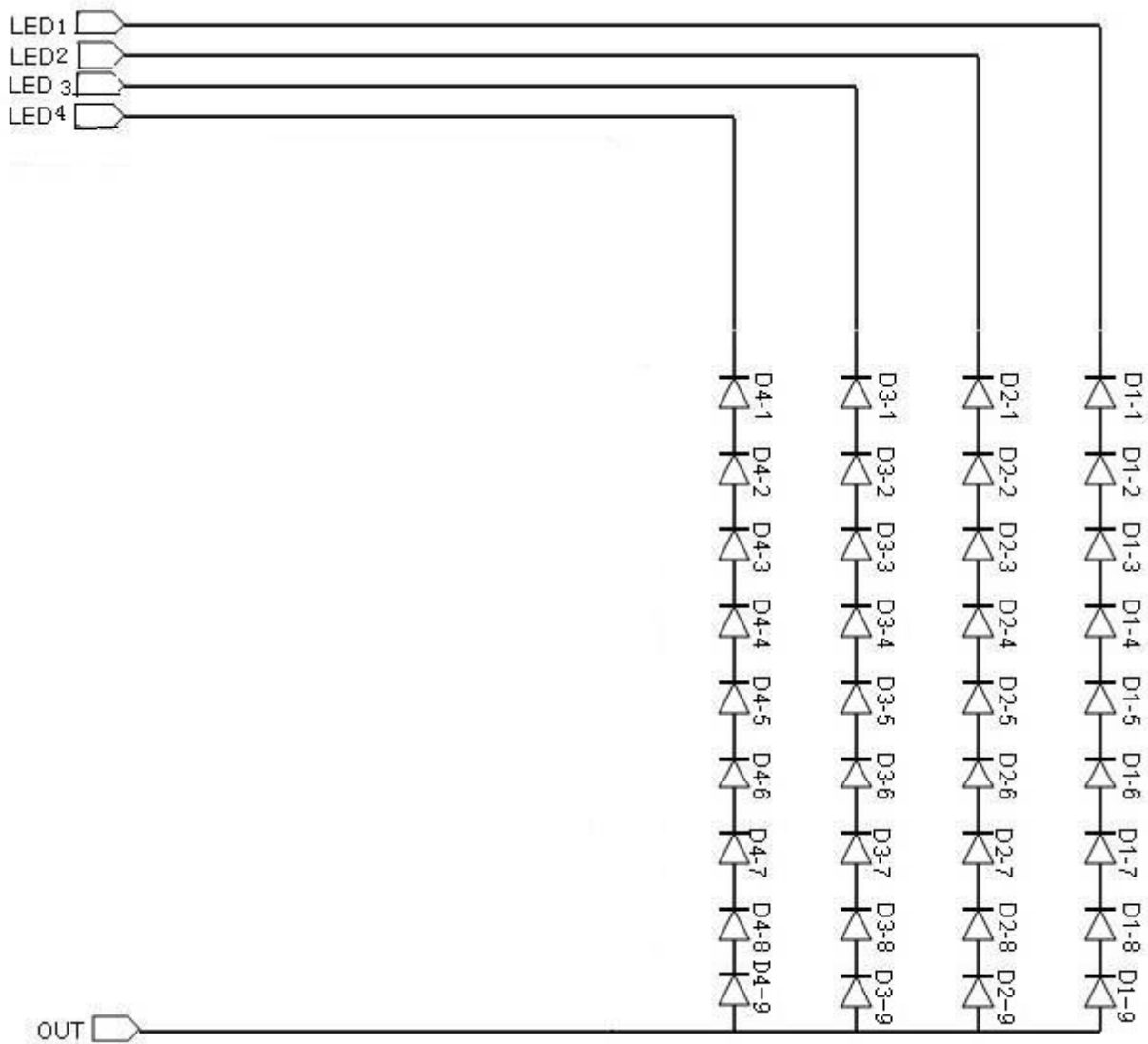
SPEC. TITLE


PAGE

HB140WX1-501 Preliminary Product Specification

10 OF 36

3.3 LED structure



 京东方 BOE	PRODUCT GROUP	REV	ISSUE DATE
	TFT- LCD PRODUCT	P0	2012.06.28
SPEC. NUMBER	SPEC. TITLE HB140WX1-501 Preliminary Product Specification	PAGE 11 OF 36	

4.0 OPTICAL SPECIFICATION


4.1 Overview

The test of Optical specifications shall be measured in a dark room (ambient luminance ≤ 1 lux and temperature = $25 \pm 2^\circ\text{C}$) with the equipment of Luminance meter system (Goniometer system and TOPCON BM-5) and test unit shall be located at an approximate distance 50cm from the LCD surface at a viewing angle of θ and Φ equal to 0° . We refer to $\theta\Phi=0$ ($=\theta_3$) as the 3 o'clock direction (the "right"), $\theta\Phi=90$ ($=\theta_{12}$) as the 12 o'clock direction ("upward"), $\theta\Phi=180$ ($=\theta_9$) as the 9 o'clock direction ("left") and $\theta\Phi=270$ ($=\theta_6$) as the 6 o'clock direction ("bottom"). While scanning θ and/or Φ , the center of the measuring spot on the Display surface shall stay fixed. The backlight should be operating for 30 minutes prior to measurement. VDD shall be $3.3 \pm 0.3\text{V}$ at 25°C . Optimum viewing angle direction is 6 o'clock.

4.2 Optical Specifications

<Table 5. Optical Specifications>

Parameter		Symbol	Condition	Min.	Typ.	Max.	Unit	Remark
Viewing Angle range	Horizontal	θ_3	CR > 10	40	45	-	Deg.	Note 1
		θ_9		40	45	-	Deg.	
	Vertical	θ_{12}		15	20	-	Deg.	
		θ_6		30	45	-	Deg.	
Luminance Contrast ratio		CR	$\theta = 0^\circ$	500	600			Note 2
Luminance of White	5 Points	Y_w	$\theta = 0^\circ$ ILED = 20mA	170	200	-	cd/m ²	Note 3
White Luminance uniformity	5 Points	ΔY_5		80	-	-		Note 4
	13 Points	ΔY_{13}	65	-	-			
White Chromaticity		x_w	$\theta = 0^\circ$	0.283	0.313	0.343		Note 5
		y_w		0.299	0.329	0.359		
Reproduction of color	Red	x_R	$\theta = 0^\circ$	-0.03	0.592	+0.03		
		y_R			0.347			
	Green	x_G			0.329			
		y_G			0.571			
	Blue	x_B			0.151			
		y_B			0.115			
Response Time (Rising + Falling)		T_{RT}	Ta = 25°C $\theta = 0^\circ$	-	12	16	ms	Note 6
Cross Talk		CT	$\theta = 0^\circ$	-	-	2.0	%	Note 7

 京东方 BOE	PRODUCT GROUP	REV	ISSUE DATE
	TFT- LCD PRODUCT	P0	2012.06.28
SPEC. NUMBER	SPEC. TITLE HB140WX1-501 Preliminary Product Specification		PAGE 12 OF 36

Notes :

1. Viewing angle is the angle at which the contrast ratio is greater than 10. The viewing angles are determined for the horizontal or 3, 9 o'clock direction and the vertical or 6, 12 o'clock direction with respect to the optical axis which is normal to the LCD surface (see FIGURE 1).

2. Contrast measurements shall be made at viewing angle of $\Theta = 0$ and at the center of the LCD surface. Luminance shall be measured with all pixels in the view field set first to white, then to the dark (black) state .
(see FIGURE 1) Luminance Contrast Ratio (CR) is defined mathematically.

$$CR = \frac{\text{Luminance when displaying a white raster}}{\text{Luminance when displaying a black raster}}$$


3. Center Luminance of white is defined as luminance values of 5 point average across the LCD surface. Luminance shall be measured with all pixels in the view field set first to white. This measurement shall be taken at the locations shown in FIGURE 2 for a total of the measurements per display.

4. The White luminance uniformity on LCD surface is then expressed as : $\Delta Y = \text{Minimum Luminance of 5(or 13) points} / \text{Maximum Luminance of 5(or 13) points}$.
(see FIGURE 2 and FIGURE 3).

5. The color chromaticity coordinates specified in Table 5 shall be calculated from the spectral data measured with all pixels first in red, green, blue and white. Measurements shall be made at the center of the panel.

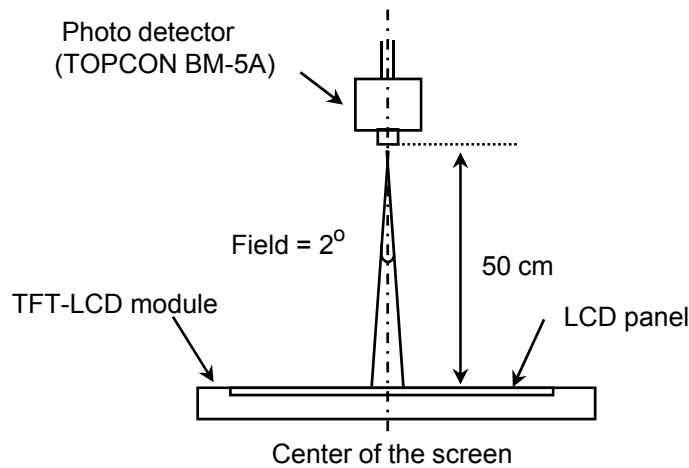
6. The electro-optical response time measurements shall be made as FIGURE 4 by switching the "data" input signal ON and OFF. The times needed for the luminance to change from 10% to 90% is T_r , and 90% to 10% is T_d .

7. Cross-Talk of one area of the LCD surface by another shall be measured by comparing the luminance (Y_A) of a 25mm diameter area, with all display pixels set to a gray level, to the luminance (Y_B) of that same area when any adjacent area is driven dark.
(See FIGURE 5).

 京东方 BOE	PRODUCT GROUP	REV	ISSUE DATE
	TFT- LCD PRODUCT	P0	2012.06.28
SPEC. NUMBER	SPEC. TITLE		PAGE
	HB140WX1-501 Preliminary Product Specification		13 OF 36

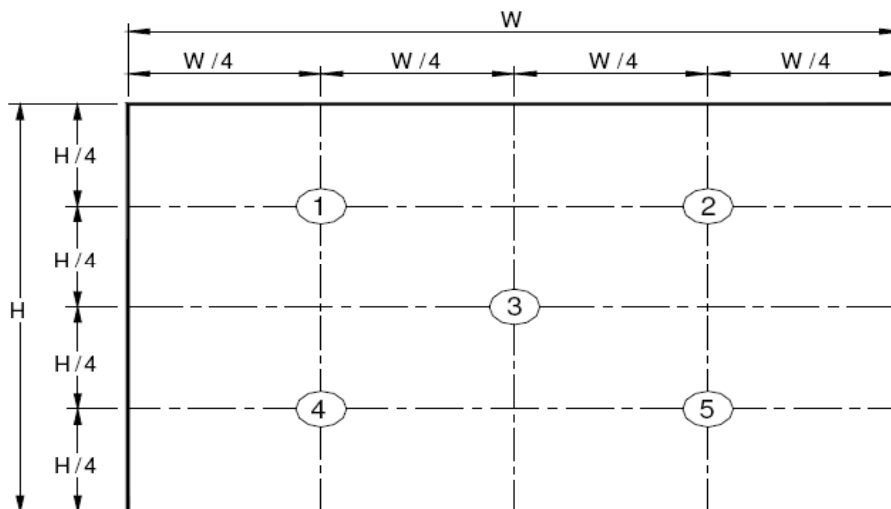
4.3 Optical measurements

Figure 1. Measurement Set Up



Optical characteristics measurement setup

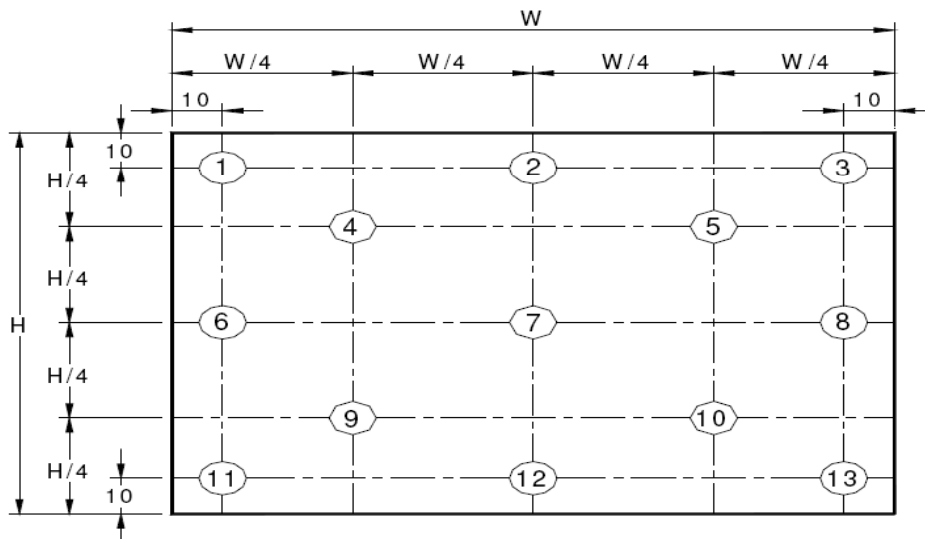
Figure 2. White Luminance and Uniformity Measurement Locations (5 points)



Center Luminance of white is defined as luminance values of center 5 points across the LCD surface. Luminance shall be measured with all pixels in the view field set first to white. This measurement shall be taken at the locations shown in FIGURE 2 for a total of the measurements per display.

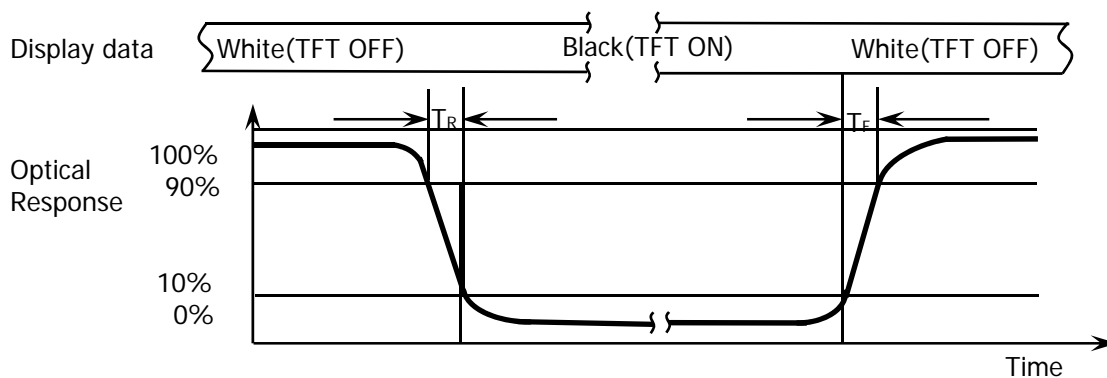
 京东方 BOE	PRODUCT GROUP	REV	ISSUE DATE
	TFT- LCD PRODUCT	P0	2012.06.28
SPEC. NUMBER	SPEC. TITLE HB140WX1-501 Preliminary Product Specification		PAGE 14 OF 36

Figure 3. Uniformity Measurement Locations (13 points)



The White luminance uniformity on LCD surface is then expressed as : $\Delta Y5 = \text{Minimum Luminance of five points} / \text{Maximum Luminance of five points}$ (see FIGURE 2) , $\Delta Y13 = \text{Minimum Luminance of 13 points} / \text{Maximum Luminance of 13 points}$ (see FIGURE 3).

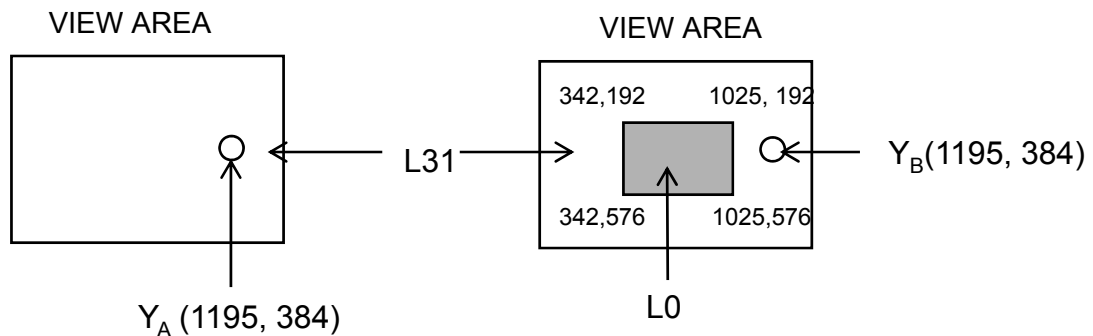
Figure 4. Response Time Testing



The electro-optical response time measurements shall be made as shown in FIGURE 4 by switching the “data” input signal ON and OFF. The times needed for the luminance to change from 10% to 90% is T_d and 90% to 10% is T_r .

 京东方 BOE	PRODUCT GROUP	REV	ISSUE DATE
	TFT- LCD PRODUCT	P0	2012.06.28
SPEC. NUMBER	SPEC. TITLE HB140WX1-501 Preliminary Product Specification		PAGE 15 OF 36

Figure 5. Cross Modulation Test Description



$$\text{Cross-Talk (\%)} = \left| \frac{Y_B - Y_A}{Y_A} \right| \times 100$$


Where:

Y_A = Initial luminance of measured area (cd/m²)

Y_B = Subsequent luminance of measured area (cd/m²)

The location measured will be exactly the same in both patterns

Cross-Talk of one area of the LCD surface by another shall be measured by comparing the luminance (Y_A) of a 25mm diameter area, with all display pixels set to a gray level, to the luminance (Y_B) of that same area when any adjacent area is driven dark (Refer to FIGURE 5).

 京东方 BOE	PRODUCT GROUP	REV	ISSUE DATE
	TFT- LCD PRODUCT	P0	2012.06.28
SPEC. NUMBER	SPEC. TITLE HB140WX1-501 Preliminary Product Specification		PAGE 16 OF 36

5.0 INTERFACE CONNECTION.

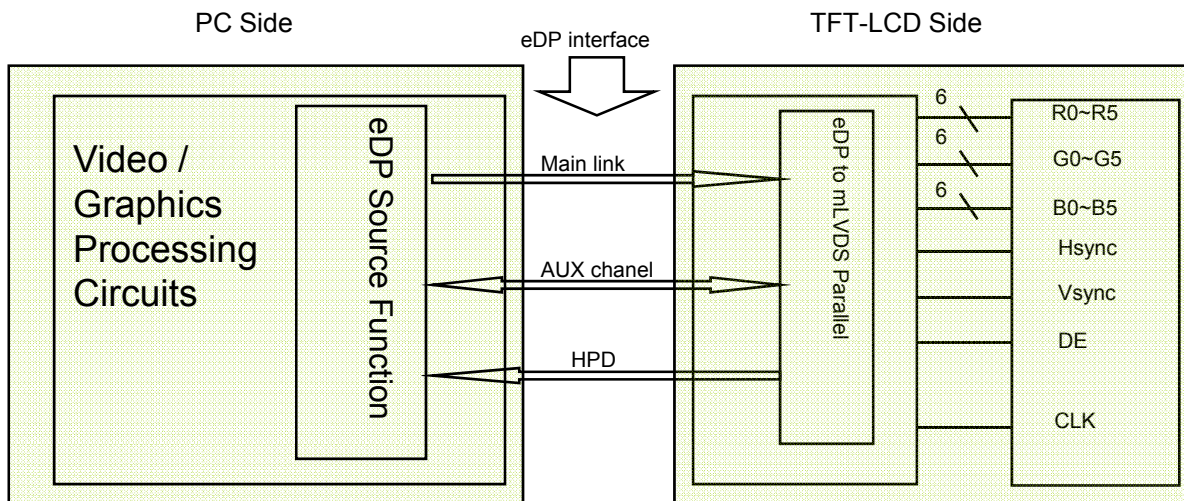
5.1 Electrical Interface Connection

The electronics interface connector is STM. The mating connector part number is I-PEX 20454-030T or Compatible. The connector interface pin assignments are listed in Table 6.

<Table 6. Pin Assignments for the Interface Connector>


Terminal	Symbol	Functions
Pin No.	Symbol	Description
1	NC	No Connection
2	H_GND	Ground
3	NC	No Connection
4	NC	No Connection
5	H_GND	Ground
6	LANE0_N	eDP RX channel 0 negative
7	LANE0_P	eDP RX channel 0 positive
8	H_GND	Ground
9	AUX_CH_P	eDP AUX CH positive
10	AUX_CH_N	eDP AUX CH negative
11	H_GND	Ground
12	LCD_VCC	Power Supply, 3.3V (typ.)
13	LCD_VCC	Power Supply, 3.3V (typ.)
14	LCD_Self_Test	Panel self test enable
15	H_GND	Ground
16	H_GND	Ground
17	HPD	Hot plug detect output
18	BL_GND	LED Ground
19	BL_GND	LED Ground
20	BL_GND	LED Ground
21	BL_GND	LED Ground
22	BL_ENABLE	LED enable pin(+3.3V Input)
23	BL_PWM	System PWM Signal Input
24	CABC_ENABLE	test enable
25	COLOR_ENABLE	test enable
26	BL_POWER	LED Power Supply 6V-21V
27	BL_POWER	LED Power Supply 6V-21V
28	BL_POWER	LED Power Supply 6V-21V
29	BL_POWER	LED Power Supply 6V-21V
30	NC	No Connection

5.2. eDP Interface



Note. Transmitter : Parade DP501 or equivalent.

Transmitter is not contained in Module.

 京东方 BOE	PRODUCT GROUP	REV	ISSUE DATE
	TFT- LCD PRODUCT	P0	2012.06.28
SPEC. NUMBER	SPEC. TITLE HB140WX1-501 Preliminary Product Specification		PAGE 18 OF 36

5.3.eDP Input signal


Lane0	
R0-5:0 G0-5:4	
G0-3:0 B0-5:2	
B0-1:0 R1-5:0	
G1-5:0 B1-5:4	
B1-3:0 R2-5:2	
R2-1:0 G2-5:0	
B2-5:0 R3-5:4	
R3-3:0 G3-5:2	
G3-1:0 B3-5:0	

5.4 Back-light & LCM Interface Connection

Interface Connector: MS24022P10 or Equivalent

<Table 7. Pin Assignments for the BLU & LCM Connector>

Pin No.	Symbol	Description	Pin No.	Symbol	Description
1	LED1	LED cathode connection	6	NC	No Connection
2	LED2	LED cathode connection	7	NC	No Connection
3	LED3	LED cathode connection	8	Vout	LED anode connection
4	LED4	LED cathode connection	9	Vout	LED anode connection
5	LED5	LED cathode connection	10	Vout	LED anode connection

 京东方 BOE	PRODUCT GROUP	REV	ISSUE DATE
	TFT- LCD PRODUCT	P0	2012.06.28
SPEC. NUMBER	SPEC. TITLE HB140WX1-501 Preliminary Product Specification		PAGE 19 OF 36

6.0 SIGNAL TIMING SPECIFICATION

6.1 The HB140WX1-501 is operated by the DE only.

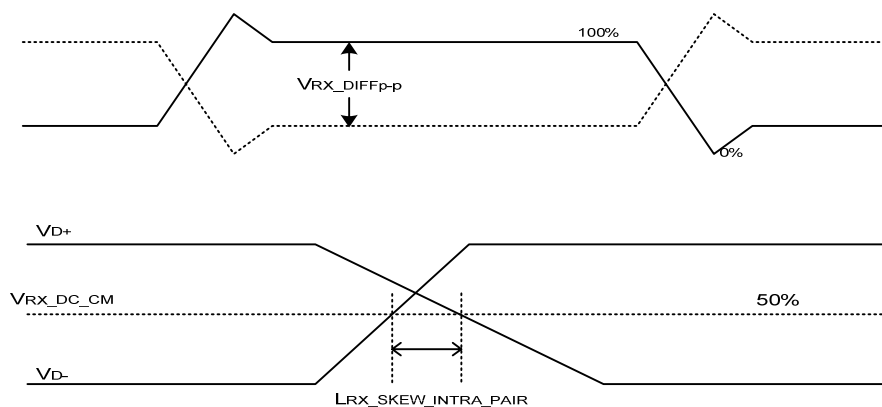
Item		Symbols	Min	Typ	Max	Unit
Clock	Frequency	1/Tc	67.5	72.3	76.3	MHz
	High Time	Tch	-	4/7	-	Tc
	Low Time	Tcl	-	3/7	-	Tc
Frame Period		Tv	778	790	802	lines
			-	60	-	Hz
			-	16.7	-	ms
Vertical Display Period		Tvd	768	768	768	lines
One line Scanning Period		Th	1446	1526	1586	clocks
Horizontal Display Period		Thd	1366	1366	1366	clocks

6.2 eDP Rx Interface Timing Parameter

The specification of the eDP Rx interface timing parameter is shown in Table 8.

<Table 8. eDP Rx Interface Timing Specification>

Item	Symbol	Min	Typ	Max	Unit	Remark
Spread spectrum clock	ssc		0.5		%	
Differential peak-to-peak input voltage at package pins	VRX-DIFFp-p	100	0	1320	mV	
Rx input DC common mode voltage	VRX_DC_CM	-	GND	-	V	
Differential termination resistance	RRX-DIFF	80	-	100	Ω	
Single-ended termination resistance	RRX-SE	40	-	60	Ω	
Rx short circuit current limit	IRX_SHORT	-	-	20	mA	
Intra-pair skew at Rx package pins (HBR) RX intra-pair skew tolerance at HBR	LRX_SKEW_INTRA_PAIR	-	-	150	ps	





PRODUCT GROUP

REV

ISSUE DATE

TFT- LCD PRODUCT

P0

2012.06.28

SPEC. NUMBER

SPEC. TITLE

PAGE

HB140WX1-501 Preliminary Product Specification

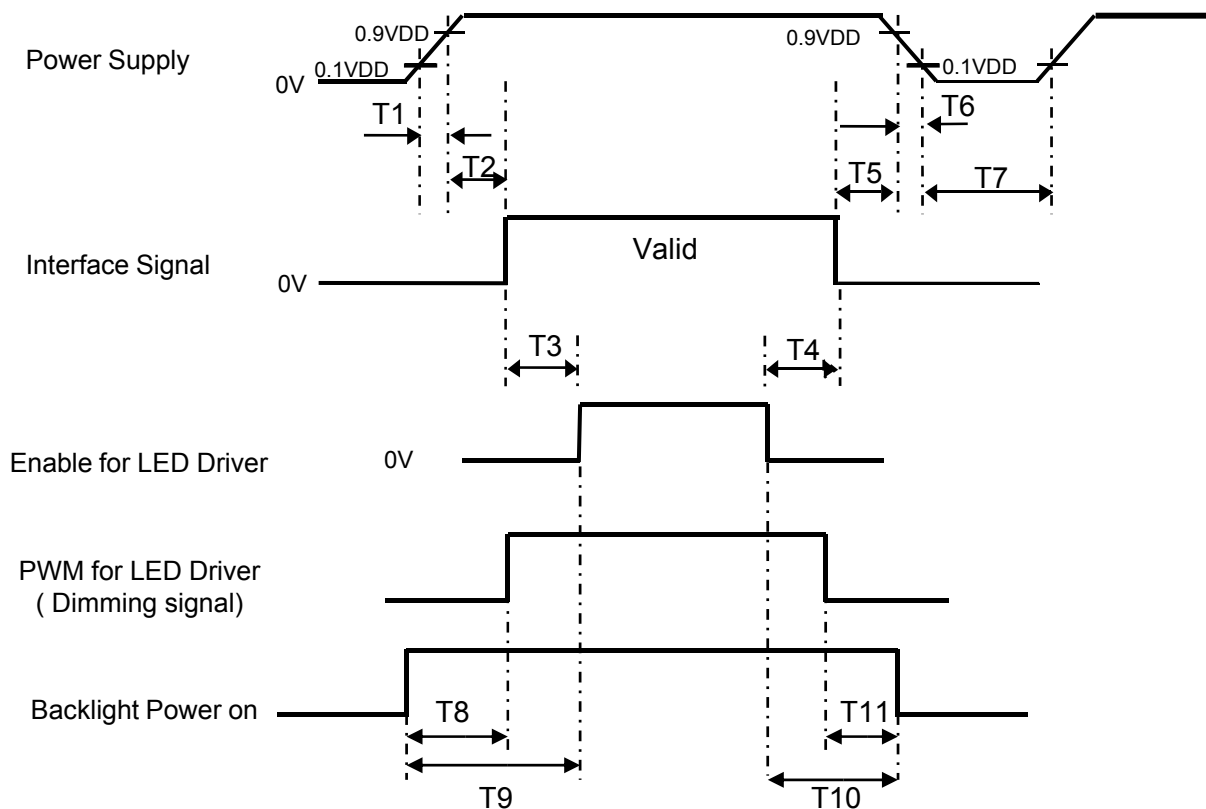
21 OF 36

7.0 INPUT SIGNALS, BASIC DISPLAY COLORS & GRAY SCALE OF COLORS

	Colors & Gray scale	Data signal																	
		R0	R1	R2	R3	R4	R5	G0	G1	G2	G3	G4	G5	B0	B1	B2	B3	B4	B5
Basic colors	Black	0	0	0	0	0	0	0	0	0	0	0	0	0	0	0	0	0	0
	Blue	0	0	0	0	0	0	0	0	0	0	0	0	1	1	1	1	1	1
	Green	0	0	0	0	0	0	1	1	1	1	1	1	0	0	0	0	0	0
	Light Blue	0	0	0	0	0	0	1	1	1	1	1	1	1	1	1	1	1	1
	Red	1	1	1	1	1	1	0	0	0	0	0	0	0	0	0	0	0	0
	Purple	1	1	1	1	1	1	0	0	0	0	0	0	1	1	1	1	1	1
	Yellow	1	1	1	1	1	1	1	1	1	1	1	1	0	0	0	0	0	0
	White	1	1	1	1	1	1	1	1	1	1	1	1	1	1	1	1	1	1
Gray scale of Red	Black	0	0	0	0	0	0	0	0	0	0	0	0	0	0	0	0	0	0
	△	1	0	0	0	0	0	0	0	0	0	0	0	0	0	0	0	0	0
	Darker	0	1	0	0	0	0	0	0	0	0	0	0	0	0	0	0	0	0
	△				↑						↑						↑		
	▽				↓						↓						↓		
	Brighter	1	0	1	1	1	1	0	0	0	0	0	0	0	0	0	0	0	0
Gray scale of Green	Black	0	0	0	0	0	0	0	0	0	0	0	0	0	0	0	0	0	0
	△	0	0	0	0	0	0	1	0	0	0	0	0	0	0	0	0	0	0
	Darker	0	0	0	0	0	0	0	1	0	0	0	0	0	0	0	0	0	0
	△				↑						↑						↑		
	▽				↓						↓						↓		
	Brighter	0	0	0	0	0	0	1	0	1	1	1	1	0	0	0	0	0	0
Gray scale of Blue	Black	0	0	0	0	0	0	0	0	0	0	0	0	0	0	0	0	0	0
	△	0	0	0	0	0	0	0	0	0	0	0	0	1	0	0	0	0	0
	Darker	0	0	0	0	0	0	0	0	0	0	0	0	0	1	0	0	0	0
	△				↑						↓						↑		
	▽				↓						↓						↓		
	Brighter	0	0	0	0	0	0	0	0	0	0	0	0	1	0	1	1	1	1
Gray scale of White & Black	Black	0	0	0	0	0	0	0	0	0	0	0	0	0	0	0	0	0	0
	△	1	0	0	0	0	0	1	0	0	0	0	0	1	0	0	0	0	0
	Darker	0	1	0	0	0	0	0	1	0	0	0	0	0	1	0	0	0	0
	△				↑						↑						↑		
	▽				↓						↓						↓		
	Brighter	1	0	1	1	1	1	1	0	1	1	1	1	1	0	1	1	1	1
White	1	1	1	1	1	1	1	1	1	1	1	1	1	1	1	1	1	1	

8.0 POWER SEQUENCE


To prevent a latch-up or DC operation of the LCD module, the power on/off sequence shall be as shown in below



- $0.5\text{ms} \leq T1 \leq 10\text{ms}$
- $200\text{ms} \leq T2 \leq 400\text{ms}$
- $200\text{ms} \leq T3$
- $0\text{ms} \leq T4$
- $0\text{ms} \leq T5$
- $0\text{ms} \leq T6 \leq 10\text{ms}$
- $150\text{ms} \leq T7$
- $0\text{ms} \leq T8$
- $0\text{ms} \leq T9$
- $0\text{ms} \leq T10$
- $0\text{ms} \leq T11$

Notes:

1. When the power supply VDD is 0V, keep the level of input signals on the low or keep high impedance.
2. Do not keep the interface signal high impedance when power is on. Back Light must be turn on after power for logic and interface signal are valid.

 京东方 BOE	PRODUCT GROUP	REV	ISSUE DATE
	TFT- LCD PRODUCT	P0	2012.06.28
SPEC. NUMBER	SPEC. TITLE HB140WX1-501 Preliminary Product Specification		PAGE 23 OF 36


9.0 Connector Description

Physical interface is described as for the connector on LCM.

These connectors are capable of accommodating the following signals and will be following components.

9.1 TFT LCD Module

Connector Name /Description	For Signal Connector
Manufacturer	STM
Type/ Part Number	MSAK24025P30
Mating housing/ Part Number	I-PEX 20454-030T or Compatible

 京东方 BOE	PRODUCT GROUP	REV	ISSUE DATE
	TFT- LCD PRODUCT	P0	2012.06.28
SPEC. NUMBER	SPEC. TITLE HB140WX1-501 Preliminary Product Specification		PAGE 24 OF 36

10.0 MECHANICAL CHARACTERISTICS

10.1 Dimensional Requirements

FIGURE 6 shows mechanical outlines for the model HB140WX1-501.
Other parameters are shown in Table 9.

<Table 9. Dimensional Parameters>

Parameter	Specification	Unit
Active Area	309.40 (H) × 173.95 (V)	
Number of pixels	1366 (H) X 768 (V) (1 pixel = R + G + B dots)	
Pixel pitch	0.2265 (H) X 0.2265 (V)	
Pixel arrangement	RGB Vertical stripe	
Display colors	262K	
Display mode	Normally white	
Dimensional outline	320.9(H)*187.6(V)*3.0(Max)	mm
Weight	290 (max)	gram
Back Light	Connector : MS24022P10	
	LED, Horizontal-LED Array type	

10.2 Mounting


See FIGURE 6.

10.3 Glare and Polarizer Hardness.

The surface of the LCD has an glare coating to maximize readability and hard coating to reduce scratching.

10.4 Light Leakage

There shall not be visible light from the back-lighting system around the edges of the screen as seen from a distance 50cm from the screen with an overhead light level of 350lux.

 京东方 BOE	PRODUCT GROUP	REV	ISSUE DATE
	TFT- LCD PRODUCT	P0	2012.06.28
SPEC. NUMBER	SPEC. TITLE		PAGE
	HB140WX1-501 Preliminary Product Specification		25 OF 36

11.0 RELIABILITY TEST

The Reliability test items and its conditions are shown in below.

<Table 10. Reliability test>

No	Test Items	Conditions
1	High temperature storage test	Ta = 60 °C, 240 hrs
2	Low temperature storage test	Ta = -20 °C, 240 hrs
3	High temperature & high humidity operation test	Ta = 50 °C, 80%RH, 240 hrs
4	High temperature operation test	Ta = 50 °C, 240 hrs
5	Low temperature operation test	Ta = 0 °C, 240 hrs
6	Thermal shock	Ta = -20 °C ↔ 60 °C (0.5 hr), 100 cycle
7	Vibration test (non-operating)	1.5G, 10~500Hz, Half Sine X,Y,Z / Sweep rate : 1 hour
8	Shock test (non-operating)	220G, Half Sine Wave 2msec ±X, ±Y, ±Z Once for each direction
9	Electro-static discharge test (non-operating)	Air : 150 pF, 330Ω, 15 KV Contact : 150 pF, 330Ω, 8 KV

12.0 HANDLING & CAUTIONS

(1) Cautions when taking out the module


- Pick the pouch only, when taking out module from a shipping package.

(2) Cautions for handling the module

- As the electrostatic discharges may break the LCD module, handle the LCD module with care. Peel a protection sheet off from the LCD panel surface as slowly as possible.
- As the LCD panel and back - light element are made from fragile glass material, impulse and pressure to the LCD module should be avoided.
- As the surface of the polarizer is very soft and easily scratched, use a soft dry cloth without chemicals for cleaning.
- Do not pull the interface connector in or out while the LCD module is operating.
- Put the module display side down on a flat horizontal plane.
- Handle connectors and cables with care.

(3) Cautions for the operation

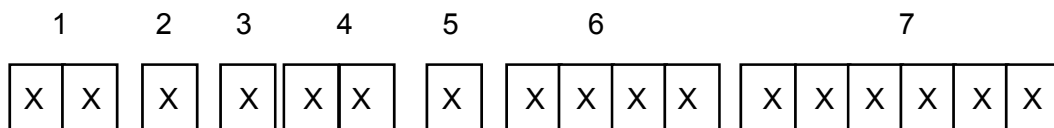
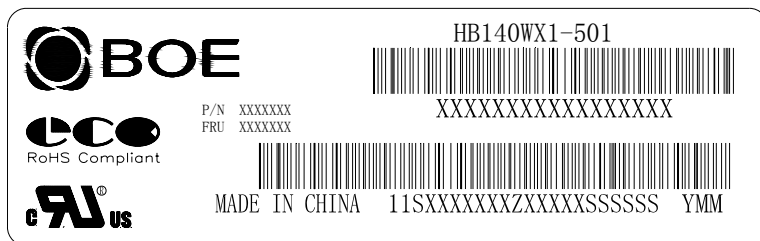
- When the module is operating, do not lose CLK, ENAB signals. If any one of these signals is lost, the LCD panel would be damaged.
- Obey the supply voltage sequence. If wrong sequence is applied, the module would be damaged.

 京东方 BOE	PRODUCT GROUP	REV	ISSUE DATE
	TFT- LCD PRODUCT	P0	2012.06.28
SPEC. NUMBER	SPEC. TITLE HB140WX1-501 Preliminary Product Specification		PAGE 26 OF 36

- (4) Cautions for the atmosphere
- Dew drop atmosphere should be avoided.
 - Do not store and/or operate the LCD module in a high temperature and/or humidity atmosphere. Storage in an electro-conductive polymer packing pouch and under relatively low temperature atmosphere is recommended.
- (5) Cautions for the module characteristics
- Do not apply fixed pattern data signal to the LCD module at product aging.
 - Applying fixed pattern for a long time may cause image sticking.
- (6) Other cautions
- Do not disassemble and/or re-assemble LCD module.
 - Do not re-adjust variable resistor or switch etc.
 - When returning the module for repair or etc., Please pack the module not to be broken. We recommend to use the original shipping packages.

13.0 LABEL

(1) Product label



Type designation

No 5. Month (1, 2, 3, ..., 9, X, Y, Z)

No 1. Control Number


No 6. Product Identification (FG)

No 2. Rank / Grade

No 7. Serial Number

No 3. Line classification

No 4. Year (10 : 2010, 11: 2011, ...)

 京东方 BOE	PRODUCT GROUP	REV	ISSUE DATE
	TFT- LCD PRODUCT	P0	
SPEC. NUMBER	SPEC. TITLE HB140WX1-501 Preliminary Product Specification		PAGE 27 OF 36

(2) Box label

Label Size: 110 mm (L) × 56 mm (W)

Contents

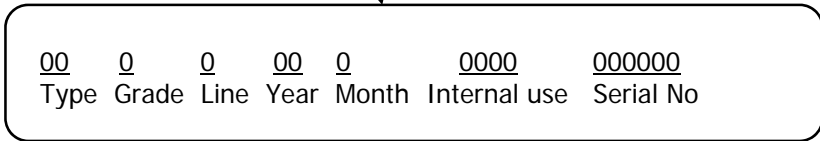
Model: HB140WX1-501

Q`ty: Module Q`ty in one box

Serial No.: Box Serial No. See next figure for detail description.

Date: Packing Date

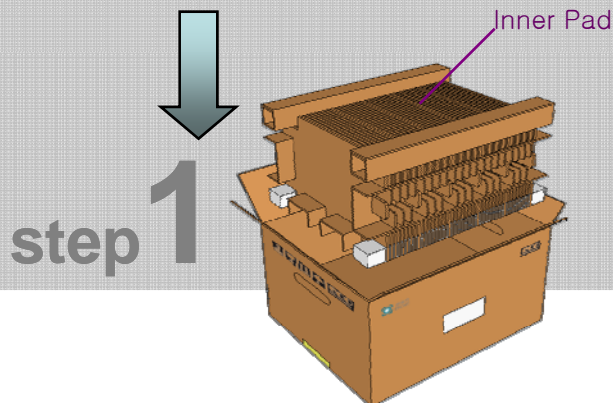
Internal use of Product



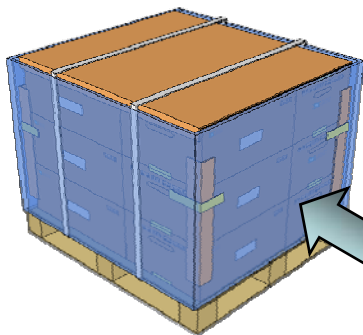
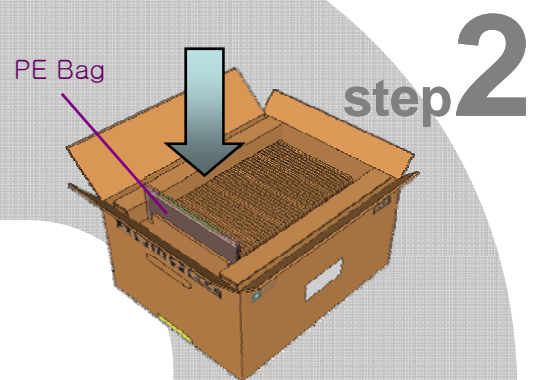
14.0 PACKING INFORMATION

14.1 Packing order

- Put Pad into the inner box

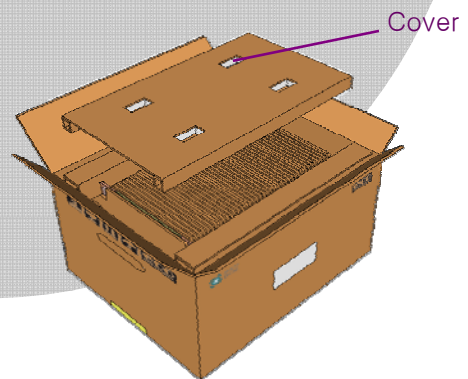


- Put module into the paper spacer and modules bundled by PE Bag



step 4

- Put Cover on the top of the pad



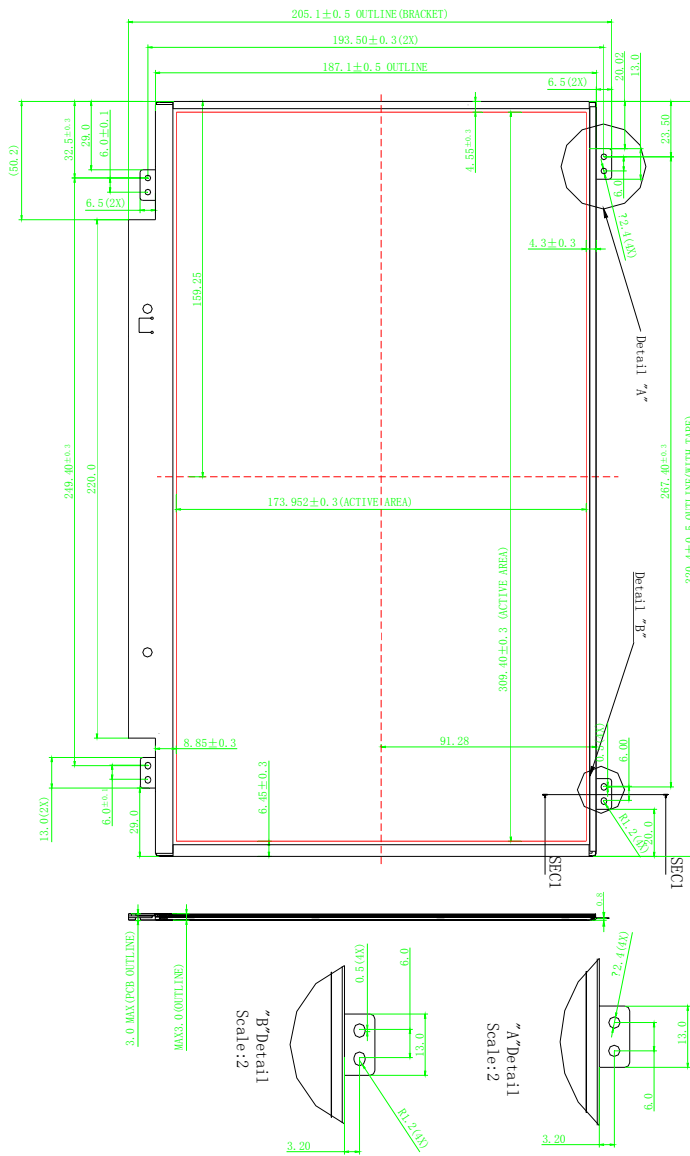
- 12ea Box/Pallet, 456ea MDL/Pallet

14.2 Notes

- Box Dimension: 580mm(W) x 450mm(D) x 280mm(H)
- Package Quantity in one Box: 38pcs
- Total Weight: 13.5 kg

15.0 MECHANICAL OUTLINE DIMENSION

Figure 6. TFT-LCD Module Outline Dimension (Front View)





PRODUCT GROUP

REV

ISSUE DATE

TFT- LCD PRODUCT

P0

SPEC. NUMBER

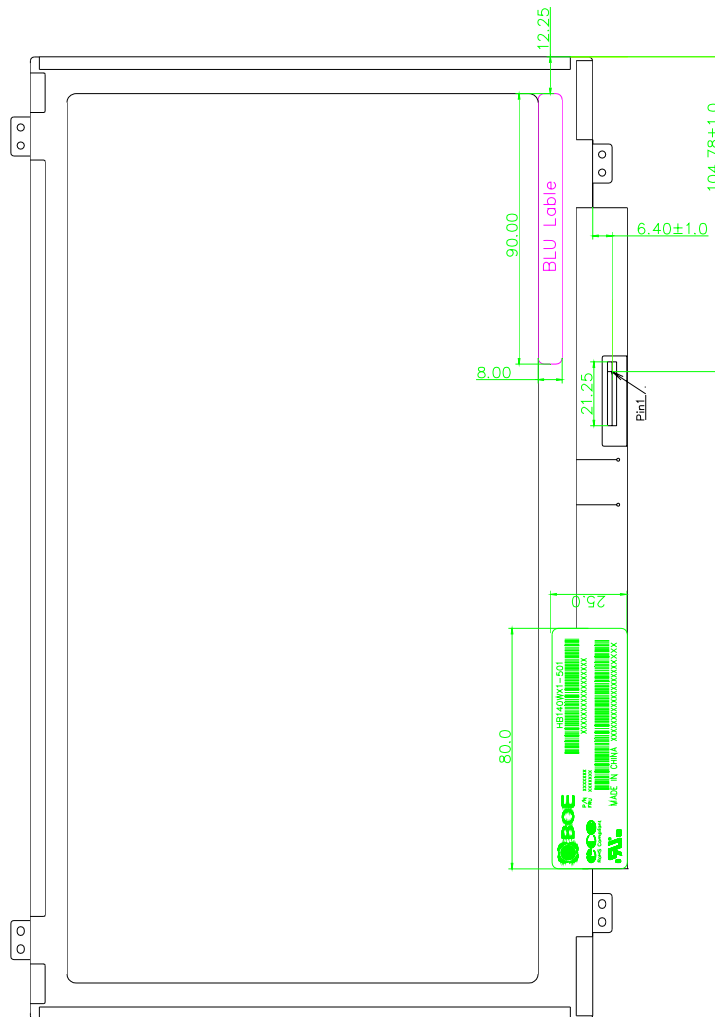
SPEC. TITLE

PAGE

HB140WX1-501 Preliminary Product Specification

30 OF 36

Figure 7. TFT-LCD Module Outline Dimensions (Rear view)





PRODUCT GROUP

REV

ISSUE DATE

TFT- LCD PRODUCT

P0

SPEC. NUMBER

SPEC. TITLE

PAGE

HB140WX1-501 Preliminary Product Specification

31 OF 36

16.0 EDID Table

Address (HEX)	Function	Hex	Dec	Input values.	Notes
00	Header	00	0	0	EDID Header
01		FF	255	255	
02		FF	255	255	
03		FF	255	255	
04		FF	255	255	
05		FF	255	255	
06		FF	255	255	
07		00	0	0	
08	ID Manufacturer Name	09	9	BOE	ID = BOE
09		E5	229		
0A	ID Product Code	37	55	0037	ID = 0037
0B		00	00		
0C	32-bit serial No.	00	0		
0D		00	0		
0E		00	0		
0F		00	0		
10	Week of manufacture	01	1	1	
11	Year of Manufacture	16	22	2012	Manufactured in 2012
12	EDID Structure Ver.	01	1	1	EDID Ver 1.0
13	EDID revision #	04	4	4	EDID Rev. 0.4
14	Video input definition	80	128	-	
15	Max H image size	1F	31	31	31 cm (Approx)
16	Max V image size	11	17	17	17 cm (Approx)
17	Display Gamma	78	120	2.2	Gamma curve = 2.2
18	Feature support	0A	10		RGB display, Preferred Timming mode
19	Red/Green low bits	B0	176	-	Red / Green Low Bits
1A	Blue/White low bits	90	144	-	Blue / White Low Bits
1B	Red x high bits	97	151	0.592	Red (x) = 10010111 (0.592)
1C	Red y high bits	58	88	0.347	Red (y) = 01011000 (0.347)
1D	Green x high bits	54	84	0.329	Green (x) = 01010100 (0.329)
1E	Green y high bits	92	146	0.571	Green (y) = 10010010 (0.571)
1F	Blue x high bits	26	38	0.151	Blue (x) = 00100110 (0.151)
20	Blue y high bits	1D	29	0.115	Blue (y) = 00011101 (0.115)
21	White x high bits	50	80	0.313	White (x) = 01010000 (0.313)
22	White y high bits	54	84	0.329	White (y) = 01010100 (0.329)
23	Established timing 1	00	0	-	
24	Established timing 2	00	0	-	



京东方
BOE

PRODUCT GROUP

TFT- LCD PRODUCT

REV

P0

ISSUE DATE

SPEC. NUMBER

SPEC. TITLE

HB140WX1-501 Preliminary Product Specification

PAGE

32 OF 36

25	Established timing 3	00	0	-	
26	Standard timing #1	01	1		Not Used
27		01	1		
28	Standard timing #2	01	1		Not Used
29		01	1		
2A	Standard timing #3	01	1		Not Used
2B		01	1		
2C	Standard timing #4	01	1		Not Used
2D		01	1		
2E	Standard timing #5	01	1		Not Used
2F		01	1		
30	Standard timing #6	01	1		Not Used
31		01	1		
32	Standard timing #7	01	1		Not Used
33		01	1		
34	Standard timing #8	01	1		Not Used
35		01	1		
36	Detailed timing/monitor descriptor #1	3E	62	72.3	72.3MHz Main clock
37		1C	28		
38		56	86	1366	Hor Active = 1366
39		A0	160	160	Hor Blanking = 160
3A		50	80	-	4 bits of Hor. Active + 4 bits of Hor. Blanking
3B		00	0	768	Ver Active = 768
3C		16	22	22	Ver Blanking = 22
3D		30	48	-	4 bits of Ver. Active + 4 bits of Ver. Blanking
3E		30	48	48	Hor Sync Offset = 48
3F		20	32	32	H Sync Pulse Width = 32
40		36	54	3	V sync Offset = 3 line
41		00	0	6	V Sync Pulse width : 6 line
42		35	53	309	Horizontal Image Size = 309 mm (Low 8 bits)
43		AD	173	173	Vertical Image Size = 173 mm (Low 8 bits)
44		10	16	-	4 bits of Hor Image Size + 4 bits of Ver Image Size
45		00	0	0	Hor Border (pixels)
46	00	0	0	Vertical Border (Lines)	
47	1A	26		Refer to right table	



京东方
BOE

PRODUCT GROUP

REV

ISSUE DATE

TFT- LCD PRODUCT

P0

SPEC. NUMBER

SPEC. TITLE

PAGE

HB140WX1-501 Preliminary Product Specification

33 OF 36

48	Detailed timing/monitor descriptor #2	3E	62	72.3	72.3MHz Main clock
49		1C	28		
4A		56	86	1366	Hor Active = 1366
4B		A0	160	160	Hor Blanking = 122
4C		50	80	-	4 bits of Hor. Active + 4 bits of Hor. Blanking
4D		00	0	768	Ver Active = 768
4E		16	22	22	Ver Blanking = 32
4F		30	48	-	4 bits of Ver. Active + 4 bits of Ver. Blanking
50		30	48	48	Hor Sync Offset = 48
51		20	32	32	H Sync Pulse Width = 32
52		36	54	3	V sync Offset = 3 line
53		00	0	6	V Sync Pulse width : 6 line
54		35	53	309	Horizontal Image Size = 309 mm (Low 8 bits)
55		AD	173	173	Vertical Image Size = 173 mm (Low 8 bits)
56		10	16	-	4 bits of Hor Image Size + 4 bits of Ver Image Size
57		00	0	0	Hor Border (pixels)
58		00	0	0	Vertical Border (Lines)
59		1A	26		Refer to right table
5A		Detailed timing/monitor descriptor #3	00	0	ASCII Data Sting Tag
5B	00		0		
5C	00		0		
5D	FE		254		
5E	00		0		
5F	42		66	Manufacture name : BOEHF	
60	4F		79		
61	45		69		
62	20		32		
63	48		72		
64	46		70		
65	0A		10		
66	20		32		
67	20		32		
68	20	32			
69	20	32			
6A	20	32			
6B	20	32			



京东方
BOE

PRODUCT GROUP

REV

ISSUE DATE

TFT- LCD PRODUCT

P0

SPEC. NUMBER

SPEC. TITLE

PAGE

HB140WX1-501 Preliminary Product Specification

34 OF 36

6C	Detailed timing/monitor descriptor #4	00	0		Product Name Tag (ASCII)
6D		00	0		
6E		00	0		
6F		FE	254		
70		00	0		
71		48	72	H	Model name:HB140WX1-501
72		42	66	B	
73		31	49	1	
74		34	52	4	
75		30	48	0	
76		57	87	W	
77		58	88	X	
78		31	49	1	
79		2D	45	-	
7A		35	53	5	
7B		30	48	0	
7C	31	49	1		
7D	0A	10			
7E	Extension flag	00	0		
7F	Checksum	81	129	129	