
HB56UW3272ETK-F

256MB Buffered EDO DRAM DIMM
 32-Mword \times 72-bit, 4k Refresh, 2 Bank Module
 (36 pcs of 16M \times 4 components)

ELPIDA

E0100H10 (1st edition)
 (Previous ADE-203-1124A (Z))
 Jan. 31, 2001

Description

The HB56UW3272ETK belongs to 8-byte DIMM (Dual in-line Memory Module) family, and has been developed an optimized main memory solution for 4 and 8-byte processor applications. The HB56UW3272ETK is 32 M \times 72 Dynamic RAM Module, mounted 36 pieces of 64-Mbit DRAM (HM5165405) sealed in TSOP package and 2 pieces of 16-bit line driver sealed in TSSOP package. The HB56UW3272ETK offers Extended Data Out (EDO) Page Mode as a high speed access mode. An outline of the HB56UW3272ETK is 168-pin socket type package (dual lead out). Therefore, the HB56UW3272ETK makes high density mounting possible without surface mount technology. The HB56UW3272ETK provides common data inputs and outputs. Decoupling capacitors are mounted beside each TSOP on the module board.

Features

www.DataSheet4U.com

- 168-pin socket type package (Dual lead out)
 - Outline : 133.35 mm (Length) \times 53.34 mm (Height) \times 4.00 mm (Thickness)
 - Lead pitch : 1.27 mm
- Single 3.3 V supply: 3.3 \pm 0.3V
- High speed
 - Access time: $t_{RAC} = 50$ ns/60 ns (max)
 - Access time: $t_{CAC} = 18$ ns/20 ns (max)
- Low power dissipation
 - Active mode: 8.78 W/7.49 W (max)
 - Standby mode (TTL): 295.2 mW (max)
- JEDEC standard outline buffered 8-byte DIMM
- Buffered input except \overline{RAS} and DQ
- 4-byte interleave enabled, dual address input (A0/B0)
- EDO page mode capability

Elpida Memory, Inc. is a joint venture DRAM company of NEC Corporation and Hitachi, Ltd.

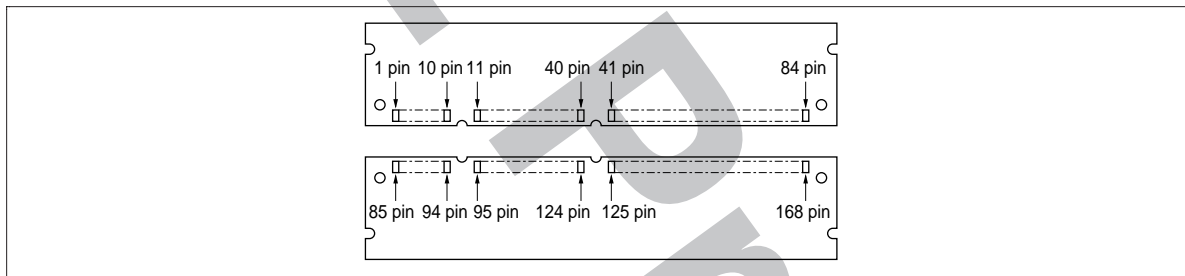
HB56UW3272ETK-F

- 4096 refresh cycles: 64 ms
- 2 variations of refresh
 - $\overline{\text{RAS}}$ -only refresh
 - CAS-before- $\overline{\text{RAS}}$ refresh

Ordering Information

Type No.	Access time	Package	Contact pad
HB56UW3272ETK-5F	50 ns	168-pin dual lead out	Gold
HB56UW3272ETK-6F	60 ns	socket type	

Pin Arrangement



Pin No.	Signal name	Pin No.	Signal name	Pin No.	Signal name	Pin No.	Signal name
1	V_{SS}	43	V_{SS}	85	V_{SS}	127	V_{SS}
2	DQ0	44	$\overline{\text{OE}}2$	86	DQ36	128	NC
3	DQ1	45	$\overline{\text{RE}}2$	87	DQ37	129	$\overline{\text{RE}}3$
4	DQ2	46	$\overline{\text{CE}}4$	88	DQ38	130	$\overline{\text{CE}}5$
5	DQ3	47	NC	89	DQ39	131	NC
6	V_{CC}	48	$\overline{\text{WE}}2$	90	V_{CC}	132	PDE
7	DQ4	49	V_{CC}	91	DQ40	133	V_{CC}
8	DQ5	50	NC	92	DQ41	134	NC
9	DQ6	51	NC	93	DQ42	135	NC
10	DQ7	52	DQ18	94	DQ43	136	DQ54
11	DQ8	53	DQ19	95	DQ44	137	DQ55
12	V_{SS}	54	V_{SS}	96	V_{SS}	138	V_{SS}
13	DQ9	55	DQ20	97	DQ45	139	DQ56
14	DQ10	56	DQ21	98	DQ46	140	DQ57
15	DQ11	57	DQ22	99	DQ47	141	DQ58

HB56UW3272ETK-F**Pin Arrangement (cont)**

Pin No.	Signal name	Pin No.	Signal name	Pin No.	Signal name	Pin No.	Signal name
16	DQ12	58	DQ23	100	DQ48	142	DQ59
17	DQ13	59	V _{CC}	101	DQ49	143	V _{CC}
18	V _{CC}	60	DQ24	102	V _{CC}	144	DQ60
19	DQ14	61	NC	103	DQ50	145	NC
20	DQ15	62	NC	104	DQ51	146	NC
21	DQ16	63	NC	105	DQ52	147	NC
22	DQ17	64	NC	106	DQ53	148	NC
23	V _{SS}	65	DQ25	107	V _{SS}	149	DQ61
24	NC	66	DQ26	108	NC	150	DQ62
25	NC	67	DQ27	109	NC	151	DQ63
26	V _{CC}	68	V _{SS}	110	V _{CC}	152	V _{SS}
27	$\overline{WE}0$	69	DQ28	111	NC	153	DQ64
28	$\overline{CE}0$	70	DQ29	112	$\overline{CE}1$	154	DQ65
29	NC	71	DQ30	113	NC	155	DQ66
30	$\overline{RE}0$	72	DQ31	114	$\overline{RE}1$	156	DQ67
31	$\overline{OE}0$	73	V _{CC}	115	NC	157	V _{CC}
32	V _{SS}	74	DQ32	116	V _{SS}	158	DQ68
33	A0	75	DQ33	117	A1	159	DQ69
34	A2	76	DQ34	118	A3	160	DQ70
35	A4	77	DQ35	119	A5	161	DQ71
36	A6	78	V _{SS}	120	A7	162	V _{SS}
37	A8	79	PD1	121	A9	163	PD2
38	A10	80	PD3	122	A11	164	PD4
39	NC	81	PD5	123	NC	165	PD6
40	V _{CC}	82	PD7	124	V _{CC}	166	PD8
41	NC	83	ID0 (V _{SS})	125	NC	167	ID1 (V _{SS})
42	NC	84	V _{CC}	126	B0	168	V _{CC}

HB56UW3272ETK-F

Pin Description

Pin name	Function
A0 to A11, B0	Address input Row address (D0 to D35) A0 to A11, B0 Column address (D0 to D35) A0 to A11, B0 Refresh address (D0 to D35) A0 to A11, B0
DQ0 to DQ71	Data input/output
$\overline{RE}0$ to $\overline{RE}3$	Row address strobe (\overline{RAS})
$\overline{CE}0$, $\overline{CE}1$, $\overline{CE}4$, $\overline{CE}5$	Column address strobe (\overline{CAS})
$\overline{WE}0$, $\overline{WE}2$	Read/Write enable
$\overline{OE}0$, $\overline{OE}2$	Output enable
PD1 to PD8	Presence detect
ID0 , ID1	ID bit
\overline{PDE}	Presence detect enable
V_{CC}	Power supply
V_{SS}	Ground
NC	No connection

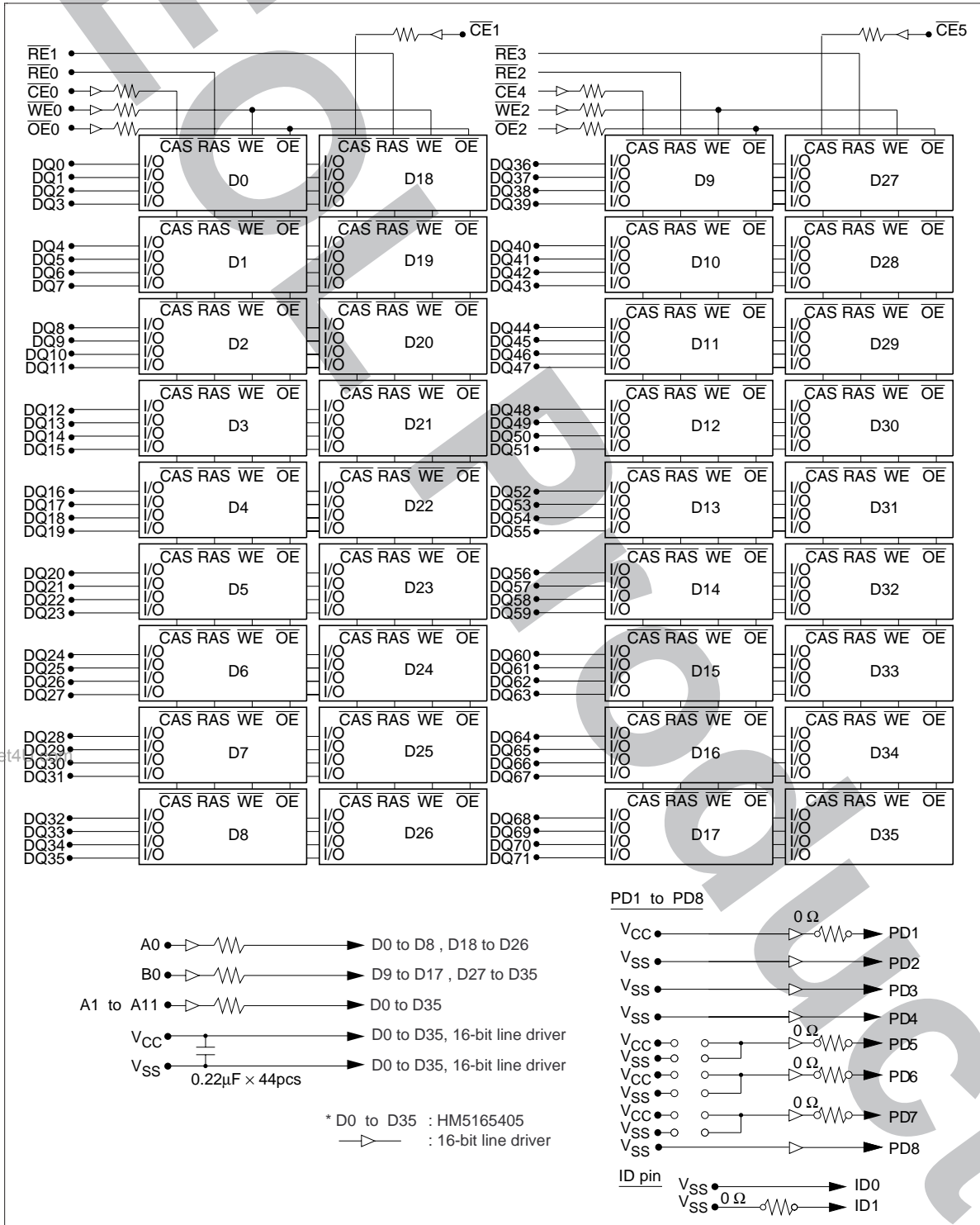
Presence Detect Pin Assignment (Controlled by \overline{PDE} pin)

Pin name	Pin No.	$\overline{PDE} = \text{Low}$		$\overline{PDE} = \text{High}$
		50 ns	60ns	All
PD1	79	1	1	High-Z
PD2	163	0	0	High-Z
PD3	80	0	0	High-Z
PD4	164	0	0	High-Z
PD5	81	1	1	High-Z
PD6	165	0	1	High-Z
PD7	82	0	1	High-Z
PD8	166	0	0	High-Z

Note: 1: High level (driver output). 0: Low level (driver output)

HB56UW3272ETK-F

Block Diagram



HB56UW3272ETK-F

Absolute Maximum Ratings

Parameter	Symbol	Value	Unit
Terminal voltage on any pin relative to V_{SS}	V_T	-0.5 to +4.6	V
Power supply voltage relative to V_{SS}	V_{CC}	-0.5 to +4.6	V
Short circuit output current	I_{out}	50	mA
Power dissipation	P_T	19	W
Storage temperature	T_{stg}	-55 to +125	°C

DC Operating Conditions

Parameter	Symbol	Min	Typ	Max	Unit	Notes
Supply voltage	V_{CC}	3.0	3.3	3.6	V	1, 2
	V_{SS}	0	0	0	V	2
Input high voltage	V_{IH}	2.0	—	$V_{CC} + 0.3$	V	1
Input low voltage	V_{IL}	-0.3	—	0.8	V	1
Ambient temperature range	T_a	0	—	70	°C	

Notes: 1. All voltage referred to V_{SS} .

2. The supply voltage with all V_{CC} pins must be on the same level. The supply voltage with all V_{SS} pins must be on the same level.

HB56UW3272ETK-F**DC Characteristics**

Parameter	Symbol	HB56UW3272ETK				Unit	Test conditions
		50 ns		60 ns			
		Min	Max	Min	Max		
Operating current* ^{1, *2}	I_{CC1}	—	2440	—	2080	mA	$t_{RC} = \text{min}$
Standby current	I_{CC2}	—	82	—	82	mA	TTL interface $\overline{\text{RAS}}, \overline{\text{CAS}} = V_{IH}$ Dout = High-Z
		—	28	—	28	mA	CMOS interface $\overline{\text{RAS}}, \overline{\text{CAS}} \geq V_{CC} - 0.2 \text{ V}$ Dout = High-Z
$\overline{\text{RAS}}$ -only refresh current* ²	I_{CC3}	—	2440	—	2080	mA	$t_{RC} = \text{min}$
Standby current* ¹	I_{CC5}	—	190	—	190	mA	$\overline{\text{RAS}} = V_{IH}, \overline{\text{CAS}} = V_{IL}$ Dout = enable
$\overline{\text{CAS}}$ -before- $\overline{\text{RAS}}$ refresh current	I_{CC6}	—	2440	—	2080	mA	$t_{RC} = \text{min}$
EDO page mode current* ^{1, *3}	I_{CC7}	—	2080	—	1900	mA	$\overline{\text{RAS}} = V_{IL}, \overline{\text{CAS}}$ cycle, $t_{HPC} = t_{HPC} \text{ min}$
Input leakage current	I_{LI}	-5	5	-5	5	μA	$0 \text{ V} \leq V_{in} \leq V_{CC} + 0.3 \text{ V}$
Output leakage current	I_{LO}	-5	5	-5	5	μA	$0 \text{ V} \leq V_{out} \leq V_{CC}$ Dout = disable
Output high voltage	V_{OH}	2.4	V_{CC}	2.4	V_{CC}	V	High Iout = -2 mA
Output low voltage	V_{OL}	0	0.4	0	0.4	V	Low Iout = 2 mA

Notes : 1. I_{CC} depends on output load condition when the device is selected. I_{CC} max is specified at the output open condition.

2. Address can be changed once or less while $\overline{\text{RAS}} = V_{IL}$.

3. Measured with one sequential address change per EDO cycle, t_{HPC} .

www.DataSheet4U.com

Capacitance ($T_a = 25^\circ\text{C}, V_{CC} = 3.3 \text{ V} \pm 0.3 \text{ V}$)

Parameter	Symbol	Typ	Max	Unit	Notes
Input capacitance (Address)	C_{11}	—	20	pF	1
Input capacitance ($\overline{\text{CAS}}, \overline{\text{WE}}, \overline{\text{OE}}$)	C_{12}	—	20	pF	1
Input capacitance ($\overline{\text{RAS}}$)	C_{13}	—	78	pF	1
I/O capacitance (DQ)	$C_{I/O}$	—	27	pF	1, 2

Notes : 1. Capacitance measured with Boonton Meter or effective capacitance measuring method.

2. $\overline{\text{CAS}} = V_{IH}$ to disable Dout.

HB56UW3272ETK-F

AC Characteristics ($T_a = 0$ to $+70^\circ\text{C}$, $V_{CC} = 3.3\text{ V} \pm 0.3\text{ V}$, $V_{SS} = 0\text{ V}$) *¹, *², *¹⁹

Test Conditions

- Input rise and fall time: 2 ns
- Input levels: $V_{IL} = 0\text{ V}$, $V_{IH} = 3\text{ V}$
- Input timing reference levels: 0.8 V, 2.0 V
- Output timing reference levels: 0.8 V, 2.0 V
- Output load: 1 TTL gate + C_L (100 pF) (Including scope and jig)

Read, Write, Read-Modify-Write and Refresh Cycles (Common parameters)

Parameter	Symbol	50 ns		60 ns		Unit	Notes
		Min	Max	Min	Max		
Random read or write cycle time	t_{RC}	84	—	104	—	ns	
$\overline{\text{RAS}}$ precharge time	t_{RP}	30	—	40	—	ns	
$\overline{\text{CAS}}$ precharge time	t_{CP}	8	—	10	—	ns	
$\overline{\text{RAS}}$ pulse width	t_{RAS}	50	10000	60	10000	ns	
$\overline{\text{CAS}}$ pulse width	t_{CAS}	8	10000	10	10000	ns	
Row address setup time	t_{ASR}	5	—	5	—	ns	
Row address hold time	t_{RAH}	8	—	10	—	ns	
Column address setup time	t_{ASC}	0	—	0	—	ns	
Column address hold time	t_{CAH}	8	—	10	—	ns	
$\overline{\text{RAS}}$ to $\overline{\text{CAS}}$ delay time	t_{RCD}	12	32	14	40	ns	3
$\overline{\text{RAS}}$ to column address delay time	t_{RAD}	10	20	12	25	ns	4
$\overline{\text{RAS}}$ hold time	t_{RSH}	18	—	20	—	ns	
$\overline{\text{CAS}}$ hold time	t_{CSH}	38	—	40	—	ns	
$\overline{\text{CAS}}$ to $\overline{\text{RAS}}$ precharge time	t_{CRP}	10	—	10	—	ns	
$\overline{\text{OE}}$ to Din delay time	t_{OED}	18	—	20	—	ns	5
$\overline{\text{OE}}$ delay time from Din	t_{DZO}	0	—	0	—	ns	6
$\overline{\text{CAS}}$ delay time from Din	t_{DZC}	0	—	0	—	ns	6
Transition time (rise and fall)	t_T	2	50	2	50	ns	7

HB56UW3272ETK-F**Read Cycle**

Parameter	Symbol	50 ns		60 ns		Unit	Notes
		Min	Max	Min	Max		
Access time from RAS	t_{RAC}	—	50	—	60	ns	8, 9
Access time from \overline{CAS}	t_{CAC}	—	18	—	20	ns	9, 10, 17
Access time from address	t_{AA}	—	30	—	35	ns	9, 11, 17
Access time from \overline{OE}	t_{OEA}	—	18	—	20	ns	9
Read command setup time	t_{RCS}	0	—	0	—	ns	
Read command hold time to \overline{CAS}	t_{RCH}	0	—	0	—	ns	12
Read command hold time from RAS	t_{RCHR}	50	—	60	—	ns	
Read command hold time to \overline{RAS}	t_{RRH}	0	—	0	—	ns	12
Column address to \overline{RAS} lead time	t_{RAL}	30	—	35	—	ns	
Column address to \overline{CAS} lead time	t_{CAL}	15	—	18	—	ns	
\overline{CAS} to output in low-Z	t_{CLZ}	2	—	2	—	ns	
Output data hold time	t_{OH}	3	—	3	—	ns	21
Output data hold time from \overline{OE}	t_{OHO}	3	—	3	—	ns	
Output buffer turn-off time	t_{OFF}	—	18	—	20	ns	13, 21
Output buffer turn-off to \overline{OE}	t_{OEZ}	—	18	—	20	ns	13
\overline{CAS} to Din delay time	t_{CDD}	18	—	20	—	ns	5
Output data hold time from \overline{RAS}	t_{OHR}	3	—	3	—	ns	21
Output buffer turn-off to \overline{RAS}	t_{OFR}	—	13	—	15	ns	13, 21
Output buffer turn-off to \overline{WE}	t_{WEZ}	—	18	—	20	ns	13
\overline{WE} to Din delay time	t_{WED}	18	—	20	—	ns	
RAS to Din delay time	t_{RDD}	13	—	15	—	ns	

Write Cycle

Parameter	Symbol	50 ns		60 ns		Unit	Notes
		Min	Max	Min	Max		
Write command setup time	t_{WCS}	0	—	0	—	ns	14
Write command hold time	t_{WCH}	8	—	10	—	ns	
Write command pulse width	t_{WCP}	8	—	10	—	ns	
Write command to \overline{RAS} lead time	t_{RWL}	18	—	20	—	ns	
Write command to \overline{CAS} lead time	t_{CWL}	8	—	10	—	ns	
Data-in setup time	t_{DS}	0	—	0	—	ns	15
Data-in hold time	t_{DH}	13	—	15	—	ns	15

HB56UW3272ETK-F

Read-Modify-Write Cycle

Parameter	Symbol	50 ns		60 ns		Unit	Notes
		Min	Max	Min	Max		
Read-modify-write cycle time	t_{RWC}	116	—	140	—	ns	
\overline{RAS} to \overline{WE} delay time	t_{RWD}	72	—	84	—	ns	14
CAS to \overline{WE} delay time	t_{CWD}	30	—	34	—	ns	14
Column address to \overline{WE} delay time	t_{AWD}	42	—	49	—	ns	14
\overline{OE} hold time from \overline{WE}	t_{OEH}	13	—	15	—	ns	

Refresh Cycle

Parameter	Symbol	50 ns		60 ns		Unit	Notes
		Min	Max	Min	Max		
CAS setup time (CBR refresh cycle)	t_{CSR}	10	—	10	—	ns	
CAS hold time (CBR refresh cycle)	t_{CHR}	8	—	10	—	ns	
\overline{WE} setup time (CBR refresh cycle)	t_{WRP}	5	—	5	—	ns	
\overline{WE} hold time (CBR refresh cycle)	t_{WRH}	8	—	10	—	ns	
RAS precharge to CAS hold time	t_{RPC}	5	—	5	—	ns	

EDO Page Mode Cycle

Parameter	Symbol	50 ns		60 ns		Unit	Notes
		Min	Max	Min	Max		
EDO page mode cycle time	t_{HPC}	20	—	25	—	ns	20
EDO page mode RAS pulse width	t_{RASP}	—	100000	—	100000	ns	16
Access time from CAS precharge	t_{CPA}	—	33	—	40	ns	9, 17
RAS hold time from CAS precharge	t_{CPRH}	33	—	40	—	ns	
Output data hold time from CAS low	t_{DOH}	3	—	3	—	ns	9, 22
CAS hold time referred OE	t_{COL}	8	—	10	—	ns	
CAS to OE setup time	t_{COP}	5	—	5	—	ns	
Read command hold time from CAS precharge	t_{RCHC}	28	—	35	—	ns	
Write pulse width during CAS precharge	t_{WPE}	8	—	10	—	ns	
OE precharge time	t_{OEP}	8	—	10	—	ns	

HB56UW3272ETK-F**EDO Page Mode Read-Modify-Write Cycle**

Parameter	Symbol	50 ns		60 ns		Unit	Notes
		Min	Max	Min	Max		
EDO page mode read- modify-write cycle time	t_{HPRWC}	57	—	68	—	ns	
$\overline{\text{WE}}$ delay time from $\overline{\text{CAS}}$ precharge	t_{CPW}	45	—	54	—	ns	14

Refresh

Parameter	Symbol	Max	Unit	Notes
Refresh period	t_{REF}	64	ms	4096 cycles

Notes: 1. AC measurements assume $t_r = 2$ ns.

- An initial pause of 200 μs is required after power up followed by a minimum of eight initialization cycles (any combination of cycles containing RAS-only refresh or CAS-before-RAS refresh).
- Operation with the t_{RCD} (max) limit insures that t_{RAC} (max) can be met, t_{RCD} (max) is specified as a reference point only; if t_{RCD} is greater than the specified t_{RCD} (max) limit, then the access time is controlled exclusively by t_{CAC} .
- Operation with the t_{RAD} (max) limit insures that t_{RAC} (max) can be met, t_{RAD} (max) is specified as a reference point only; if t_{RAD} is greater than the specified t_{RAD} (max) limit, then access time is controlled exclusively by t_{AA} .
- Either t_{OED} or t_{CDD} must be satisfied.
- Either t_{DZO} or t_{DZC} must be satisfied.
- V_{IH} (min) and V_{IL} (max) are reference levels for measuring timing of input signals. Also, transition times are measured between V_{IH} (min) and V_{IL} (max).
- Assumes that $t_{\text{RCD}} \leq t_{\text{RCD}}$ (max) and $t_{\text{RAD}} \leq t_{\text{RAD}}$ (max). If t_{RCD} or t_{RAD} is greater than the maximum recommended value shown in this table, t_{RAC} exceeds the value shown.
- Measured with a load circuit equivalent to 1 TTL loads and 100 pF.
- Assumes that $t_{\text{RCD}} \geq t_{\text{RCD}}$ (max) and $t_{\text{RCD}} + t_{\text{CAC}}$ (max) $\geq t_{\text{RAD}} + t_{\text{AA}}$ (max).
- Assumes that $t_{\text{RAD}} \geq t_{\text{RAD}}$ (max) and $t_{\text{RCD}} + t_{\text{CAC}}$ (max) $\leq t_{\text{RAD}} + t_{\text{AA}}$ (max).
- Either t_{RCH} or t_{RRH} must be satisfied for a read cycles.
- t_{OFF} (max), t_{OEZ} (max), t_{WEZ} (max) and t_{OFR} (max) define the time at which the outputs achieve the open circuit condition and are not referred to output voltage levels.
- t_{WCS} , t_{RWD} , t_{CWD} , t_{AWD} and t_{CPW} are not restrictive operating parameters. They are included in the data sheet as electrical characteristics only; if $t_{\text{WCS}} \geq t_{\text{WCS}}$ (min), the cycle is an early write cycle and the data out pin will remain open circuit (high impedance) throughout the entire cycle; if $t_{\text{RWD}} \geq t_{\text{RWD}}$ (min), $t_{\text{CWD}} \geq t_{\text{CWD}}$ (min), and $t_{\text{AWD}} \geq t_{\text{AWD}}$ (min), or $t_{\text{CWD}} \geq t_{\text{CWD}}$ (min), $t_{\text{AWD}} \geq t_{\text{AWD}}$ (min) and $t_{\text{CPW}} \geq t_{\text{CPW}}$ (min), the cycle is a read-modify-write and the data output will contain data read from the selected cell; if neither of the above sets of conditions is satisfied, the condition of the data out (at access time) is indeterminate.
- t_{DS} and t_{DH} are referred to $\overline{\text{CAS}}$ leading edge in early write cycles and to $\overline{\text{WE}}$ leading edge in delayed write or read-modify-write cycles.
- t_{RASP} defines $\overline{\text{RAS}}$ pulse width in EDO page mode cycles.
- Access time is determined by the longest among t_{AA} , t_{CAC} and t_{CPA} .
- In delayed write or read-modify-write cycles, $\overline{\text{OE}}$ must disable output buffer prior to applying data to the device.

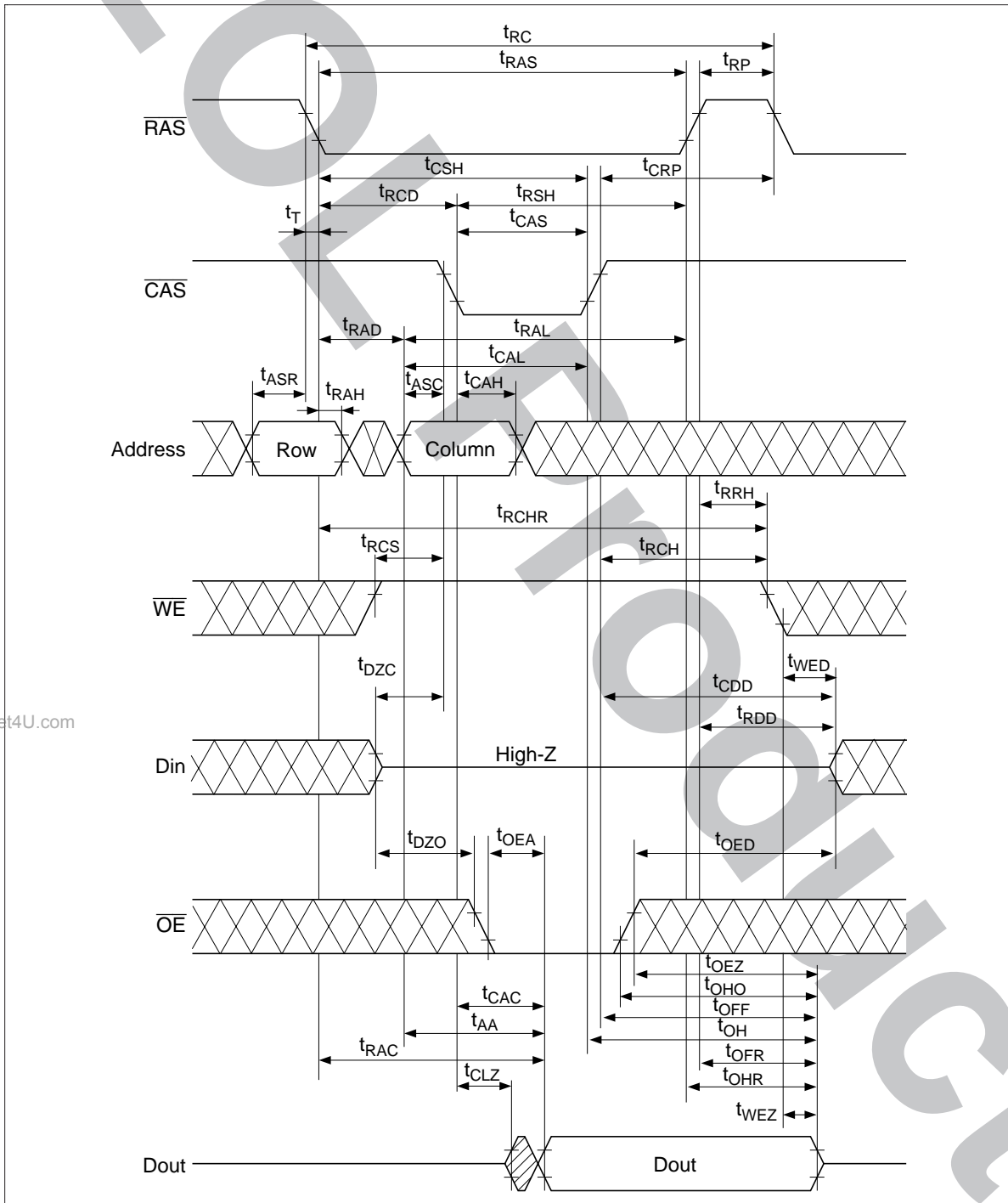
HB56UW3272ETK-F

19. When output buffers are enabled once, sustain the low impedance state until valid data is obtained. When output buffer is turned on and off within a very short time, generally it causes large V_{CC}/V_{SS} line noise, which causes to degrade V_{IH} min/ V_{IL} max level.
20. t_{HPC} (min) can be achieved during a series of EDO page mode write cycles or EDO page mode read cycles. If both write and read operation are mixed in a EDO page mode \overline{RAS} cycle (EDO page mode mix cycle (1), (2)), minimum value of \overline{CAS} cycle ($t_{CAS} + t_{CP} + 2 t_T$) becomes greater than the specified t_{HPC} (min) value. The value of \overline{CAS} cycle time of mixed EDO page mode is shown in EDO page mode mix cycle (1) and (2).
21. Data output turns off and becomes high impedance from later rising edge of \overline{RAS} and \overline{CAS} . Hold time and turn off time are specified by the timing specifications of later rising edge of \overline{RAS} and \overline{CAS} between t_{OHR} and t_{OH} and between t_{OFR} and t_{OFF} .
22. t_{DOH} defines the time at which the output level go cross. $V_{OL} = 0.8 V$, $V_{OH} = 2.0 V$ of output timing reference level.
23. XXX: H or L (H: $V_{IH}(\min) \leq V_{IN} \leq V_{IH}(\max)$, L: $V_{IL}(\min) \leq V_{IN} \leq V_{IL}(\max)$)
 //:///: Invalid Dout
 When the address, clock and input pins are not described on timing waveforms, their pins must be applied V_{IH} or V_{IL} .

HB56UW3272ETK-F

Timing Waveforms²³

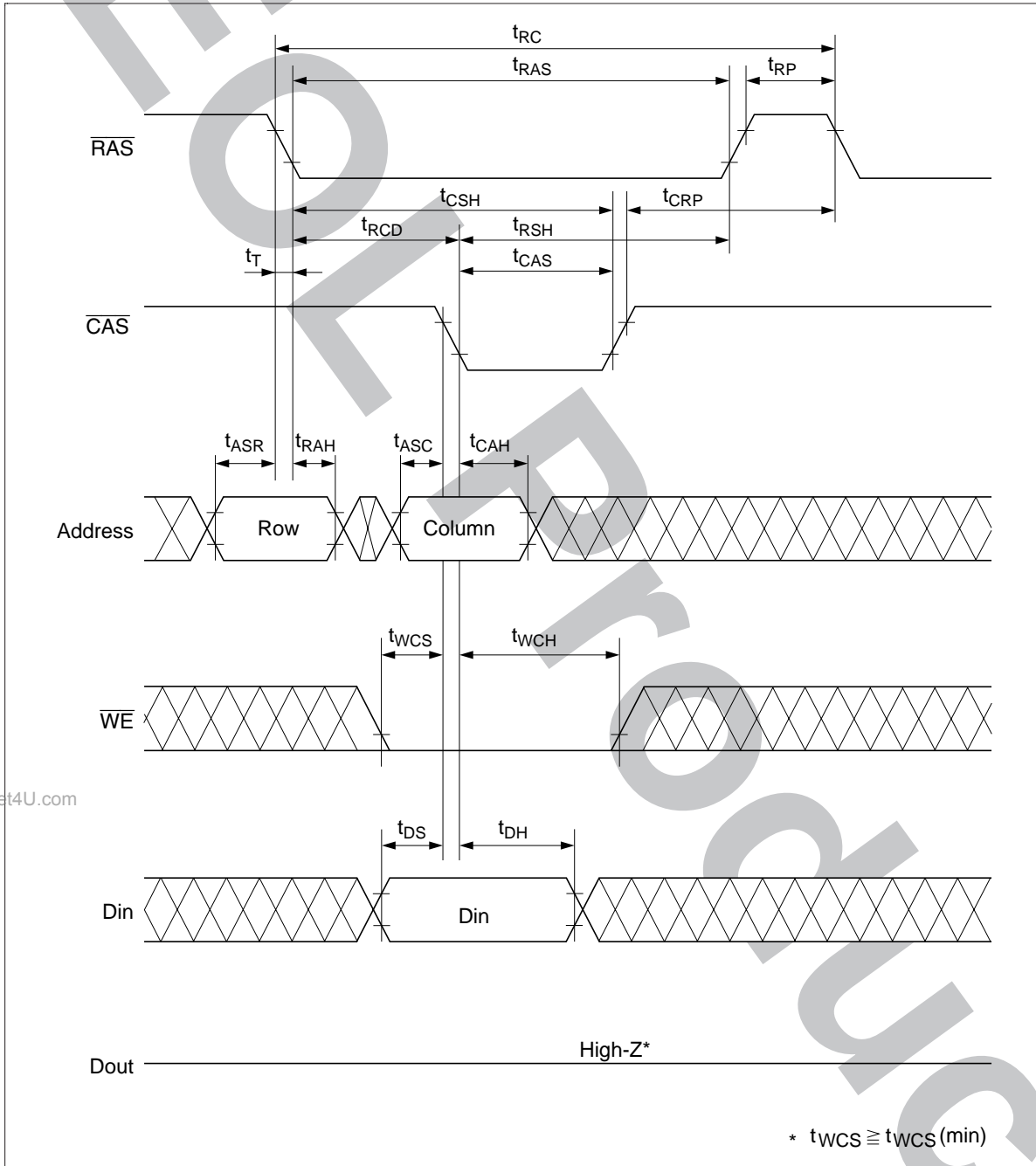
Read Cycle



www.DataSheet4U.com

HB56UW3272ETK-F

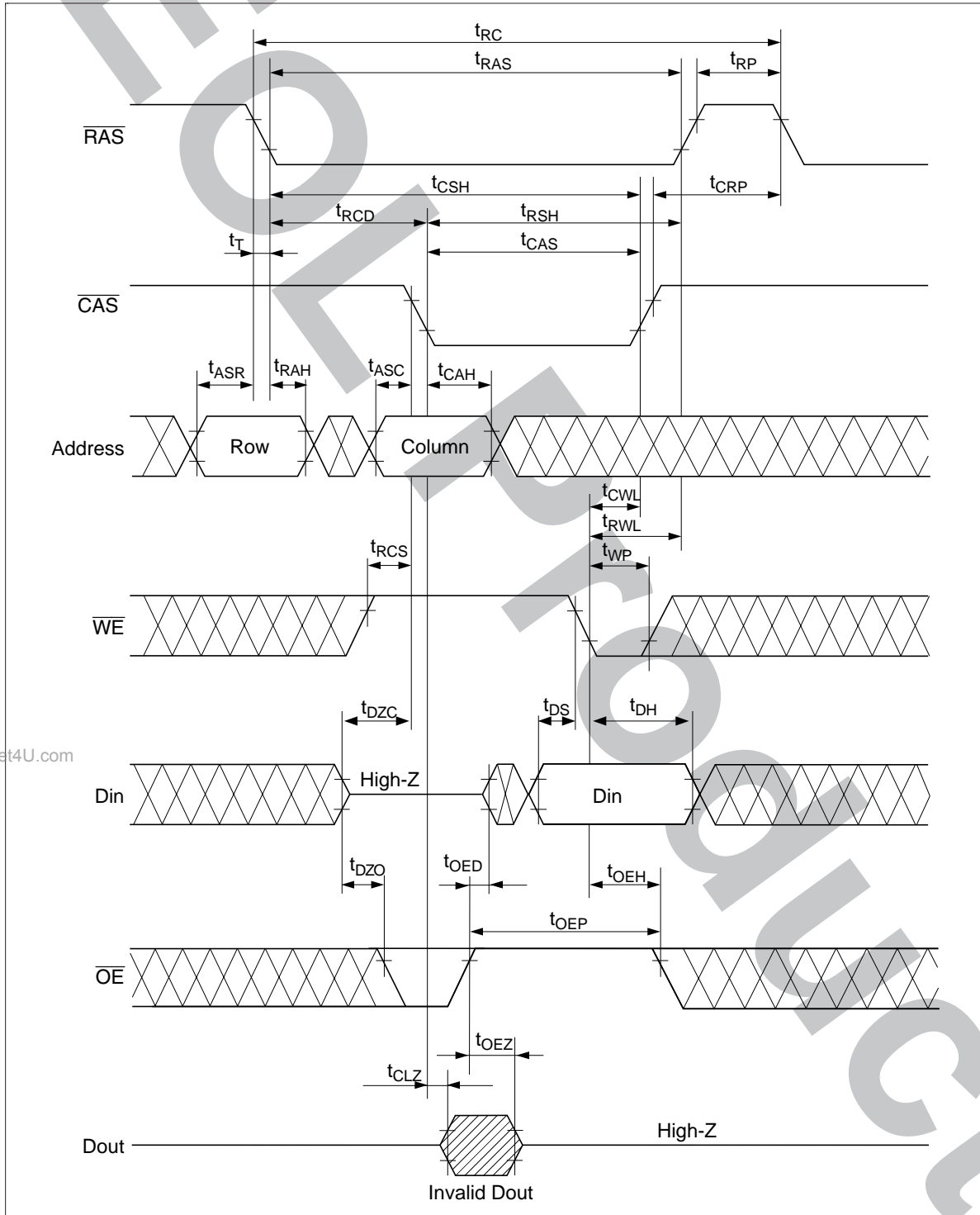
Early Write Cycle



www.DataSheet4U.com

HB56UW3272ETK-F

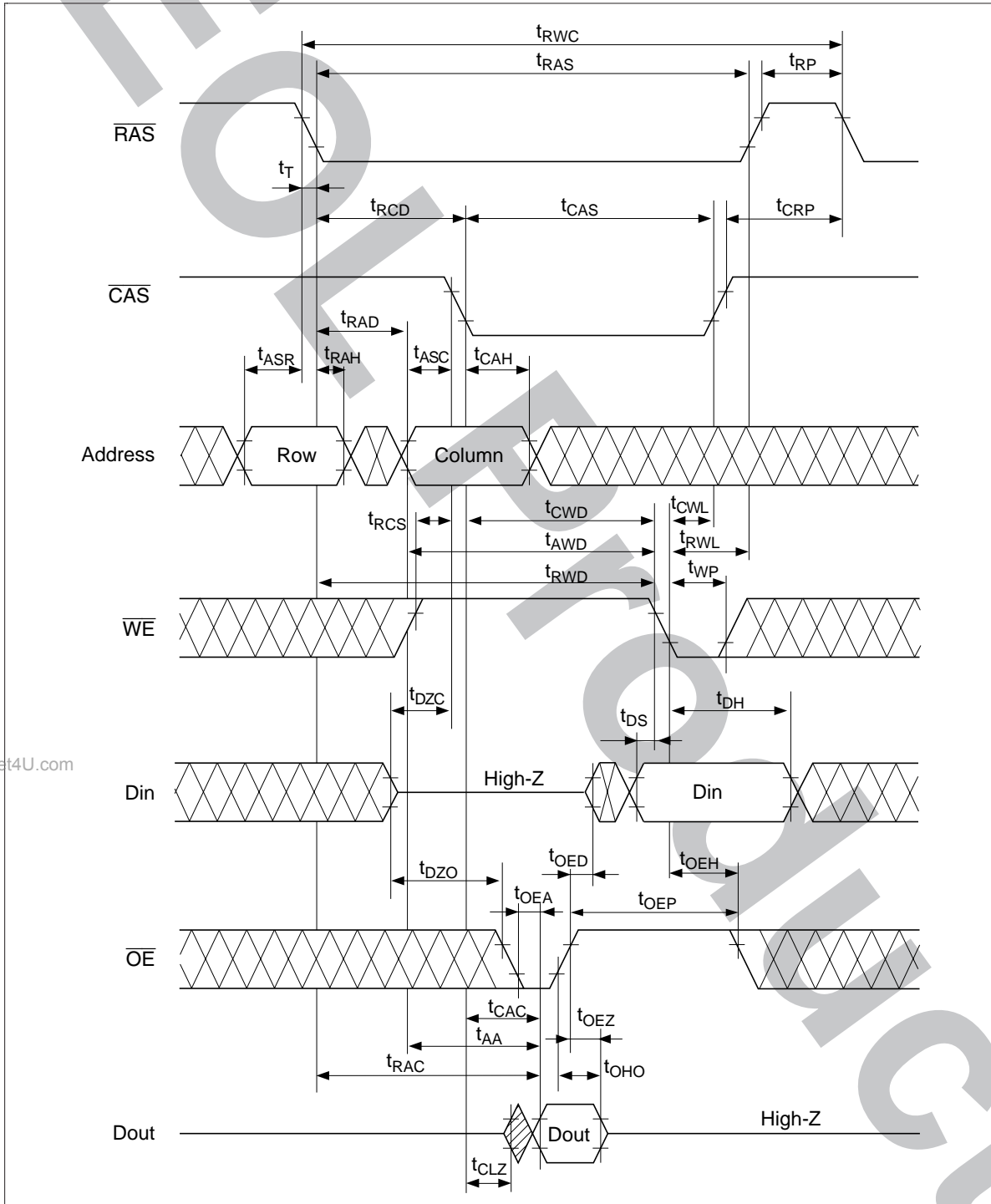
Delayed Write Cycle¹⁸



www.DataSheet4U.com

HB56UW3272ETK-F

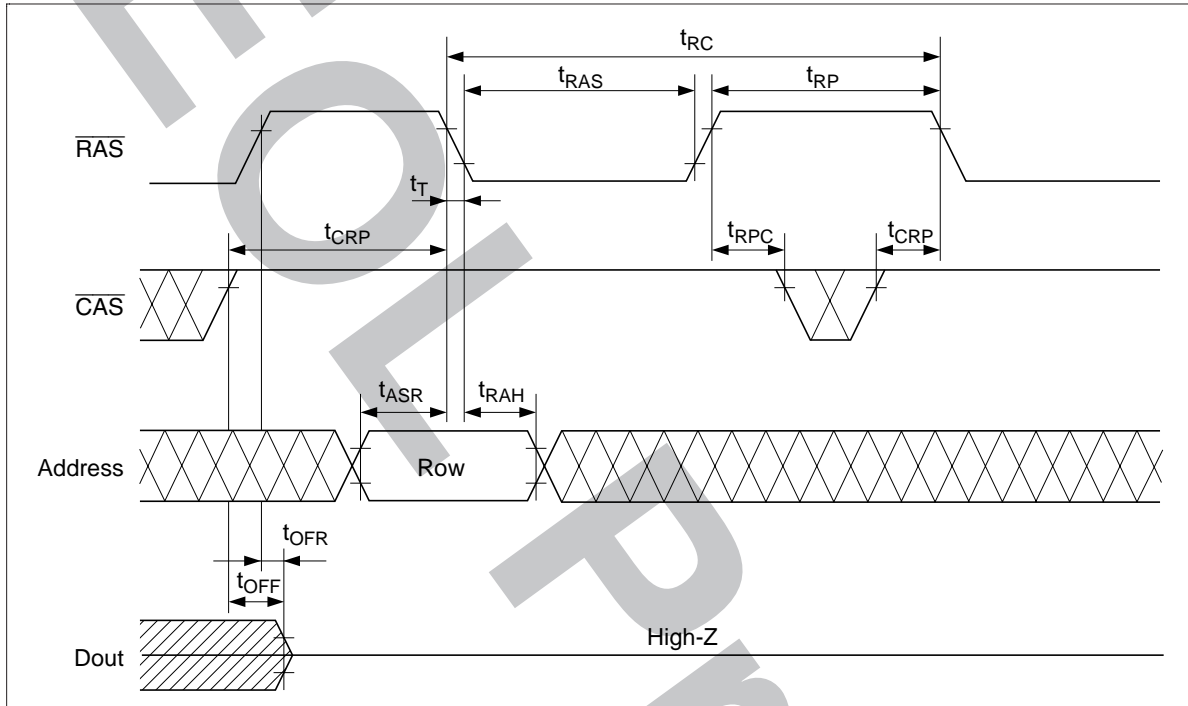
Read-Modify-Write Cycle*18



www.DataSheet4U.com

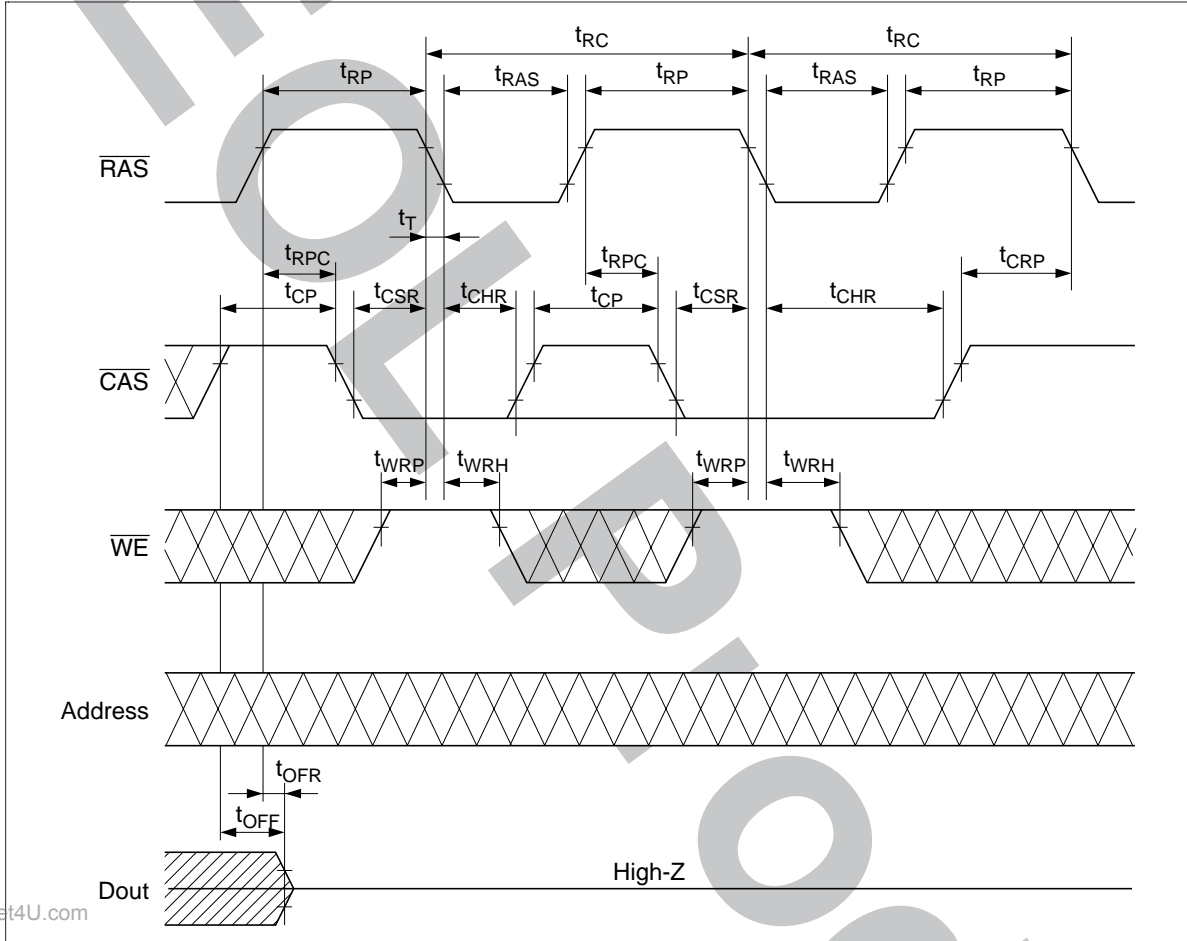
HB56UW3272ETK-F

$\overline{\text{RAS}}$ -Only Refresh Cycle



HB56UW3272ETK-F

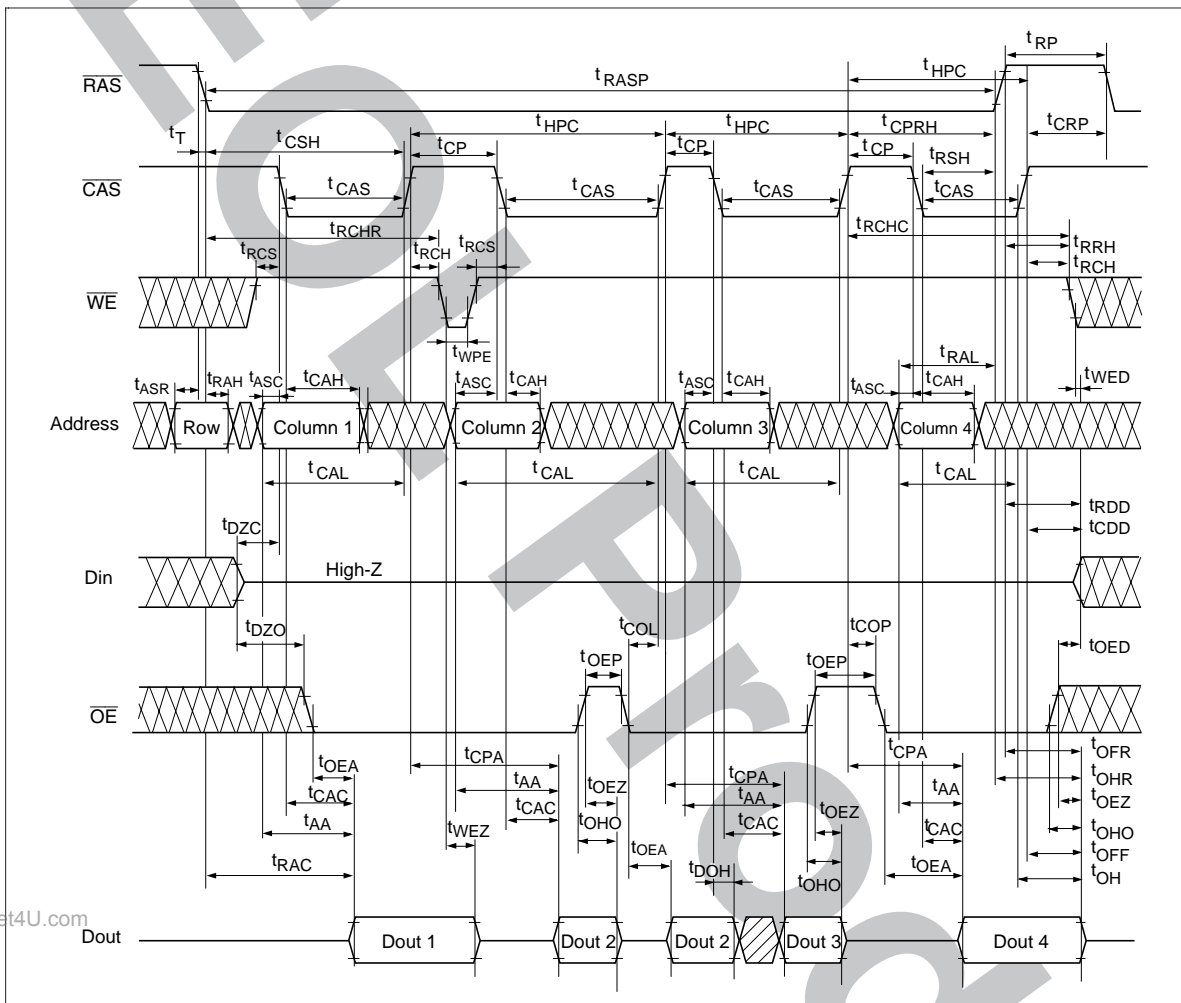
CAS-Before-RAS Refresh Cycle



www.DataSheet4U.com

HB56UW3272ETK-F

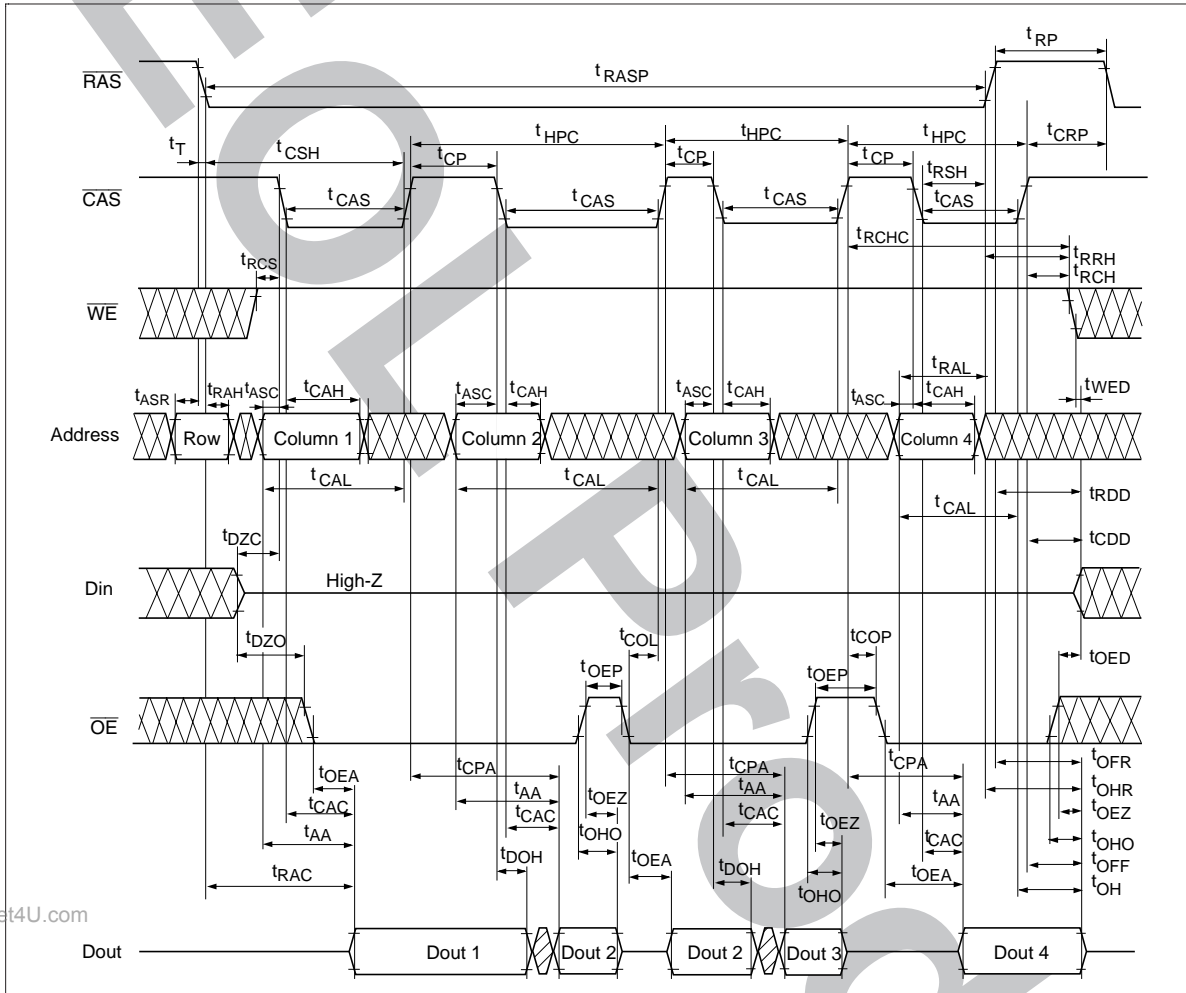
EDO Page Mode Read Cycle (1)



www.DataSheet4U.com

HB56UW3272ETK-F

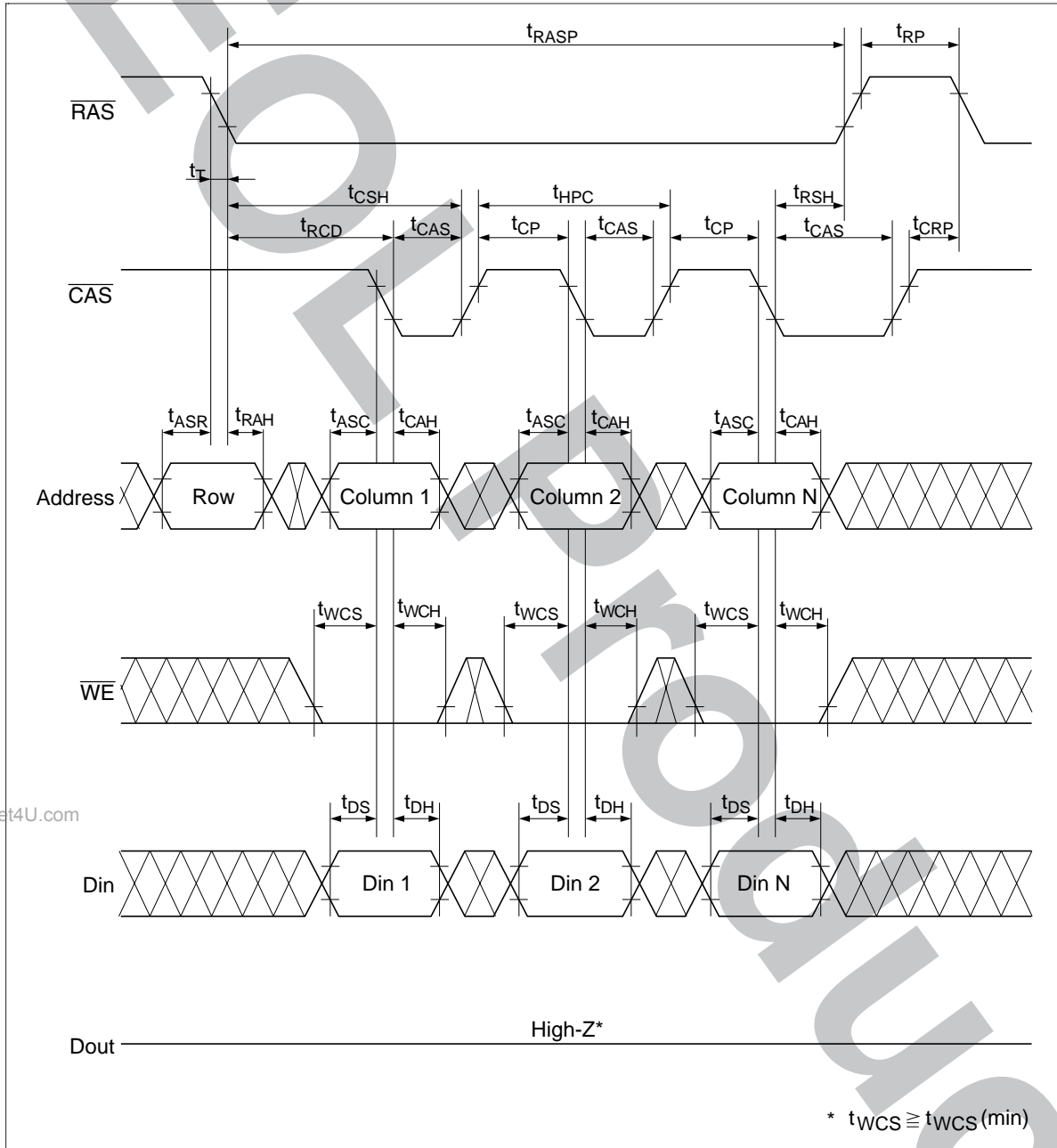
EDO Page Mode Read Cycle (2)



www.DataSheet4U.com

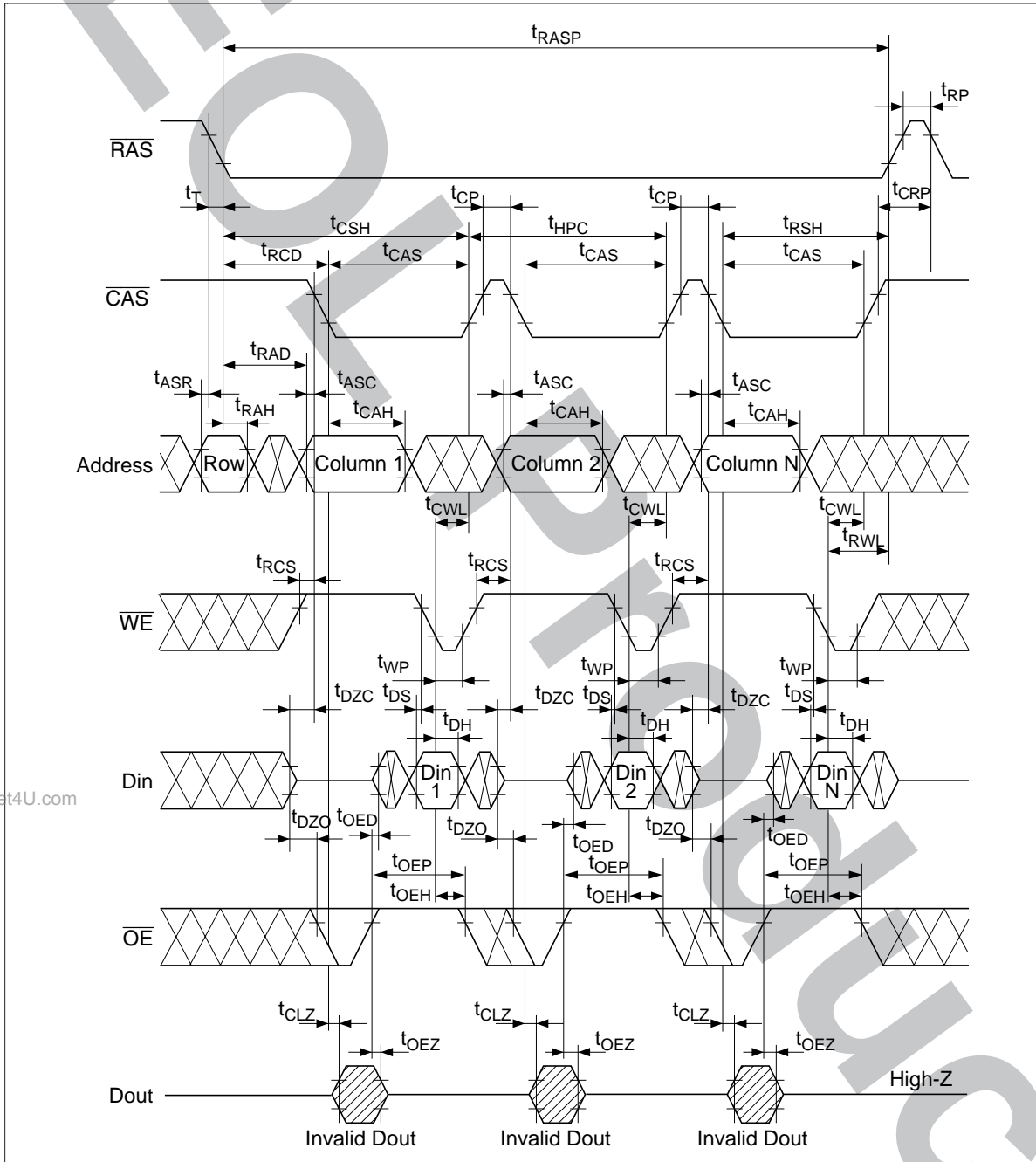
HB56UW3272ETK-F

EDO Page Mode Early Write Cycle



HB56UW3272ETK-F

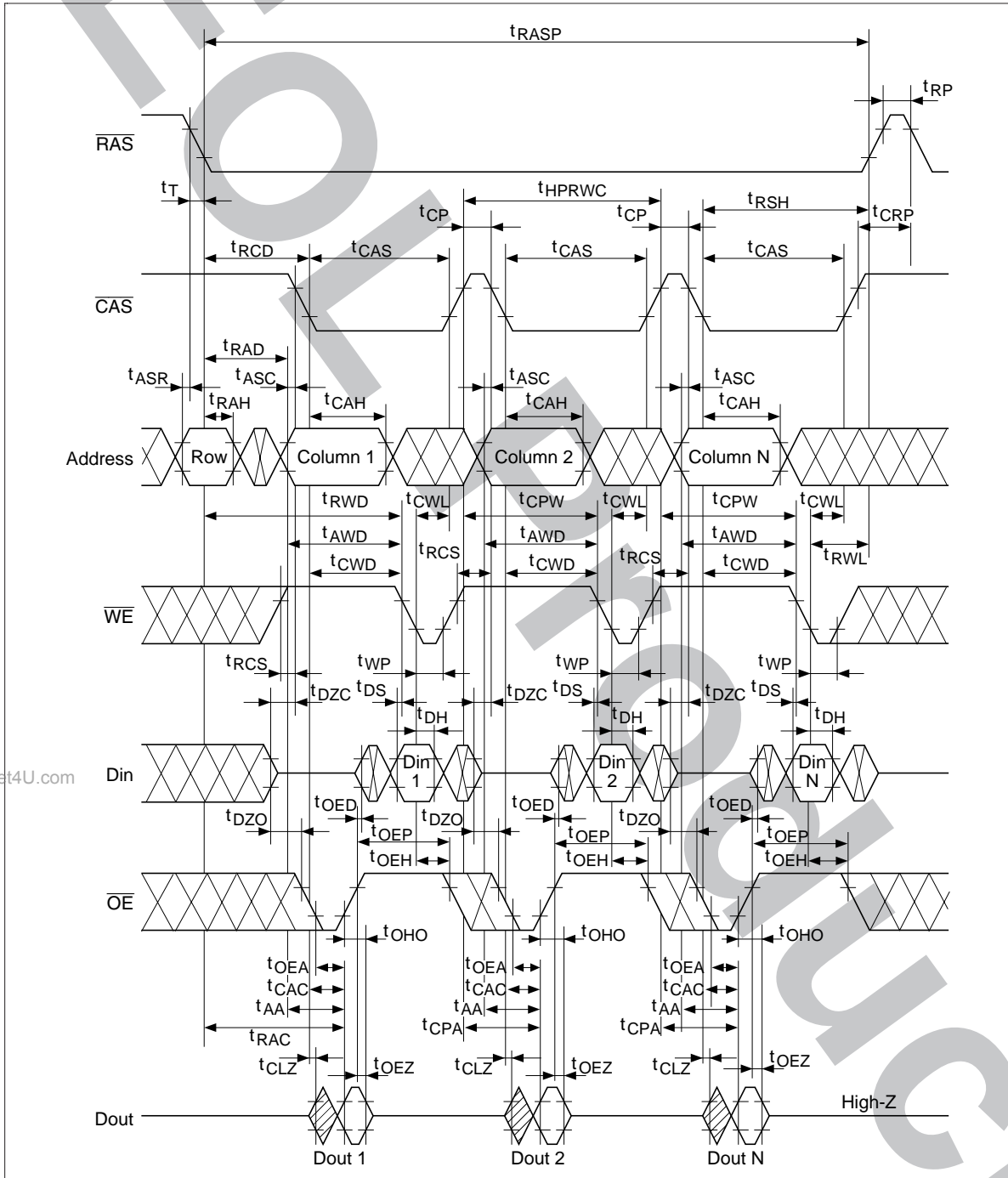
EDO Page Mode Delayed Write Cycle*18



www.DataSheet4U.com

HB56UW3272ETK-F

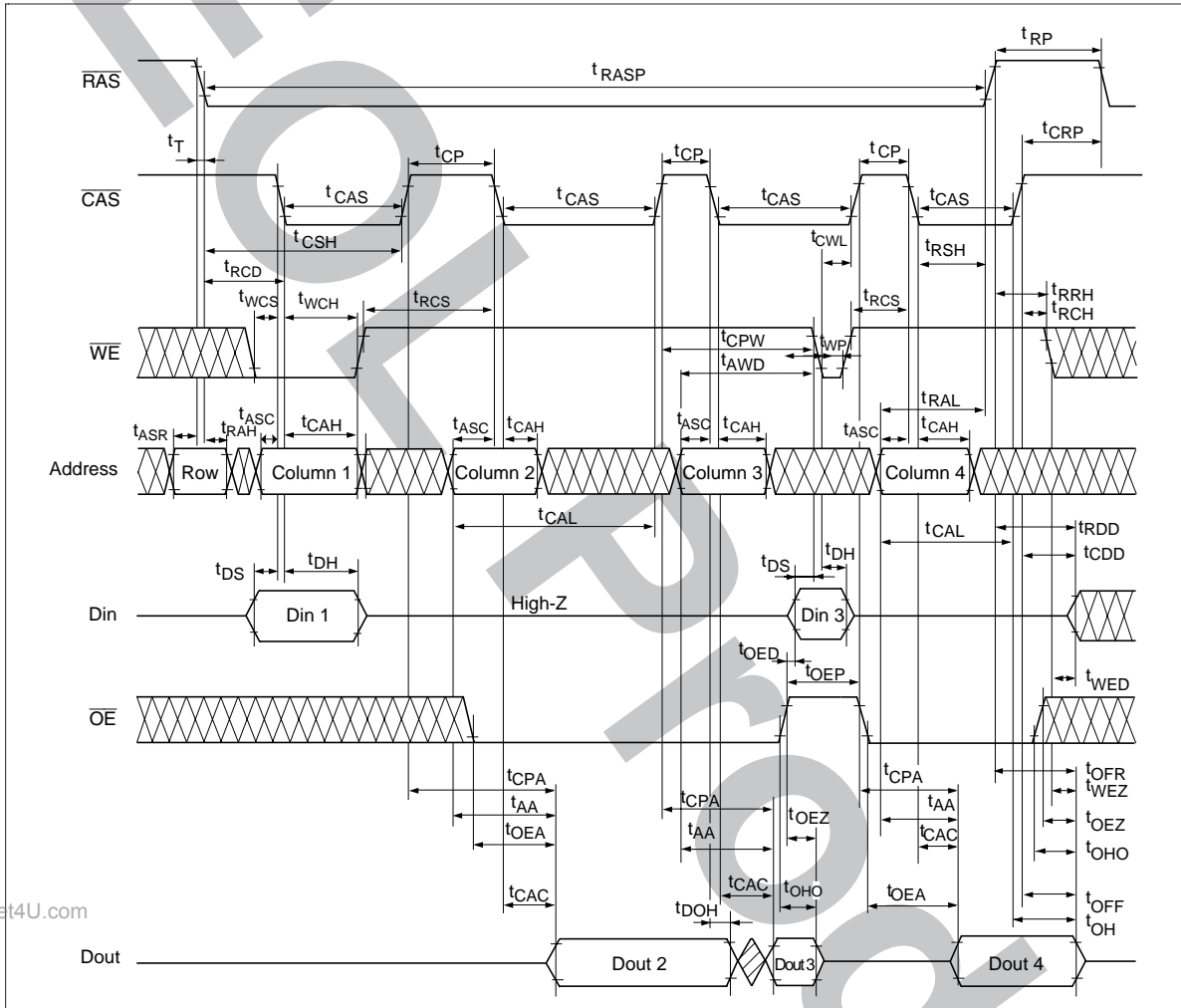
EDO Page Mode Read-Modify-Write Cycle*18



www.DataSheet4U.com

HB56UW3272ETK-F

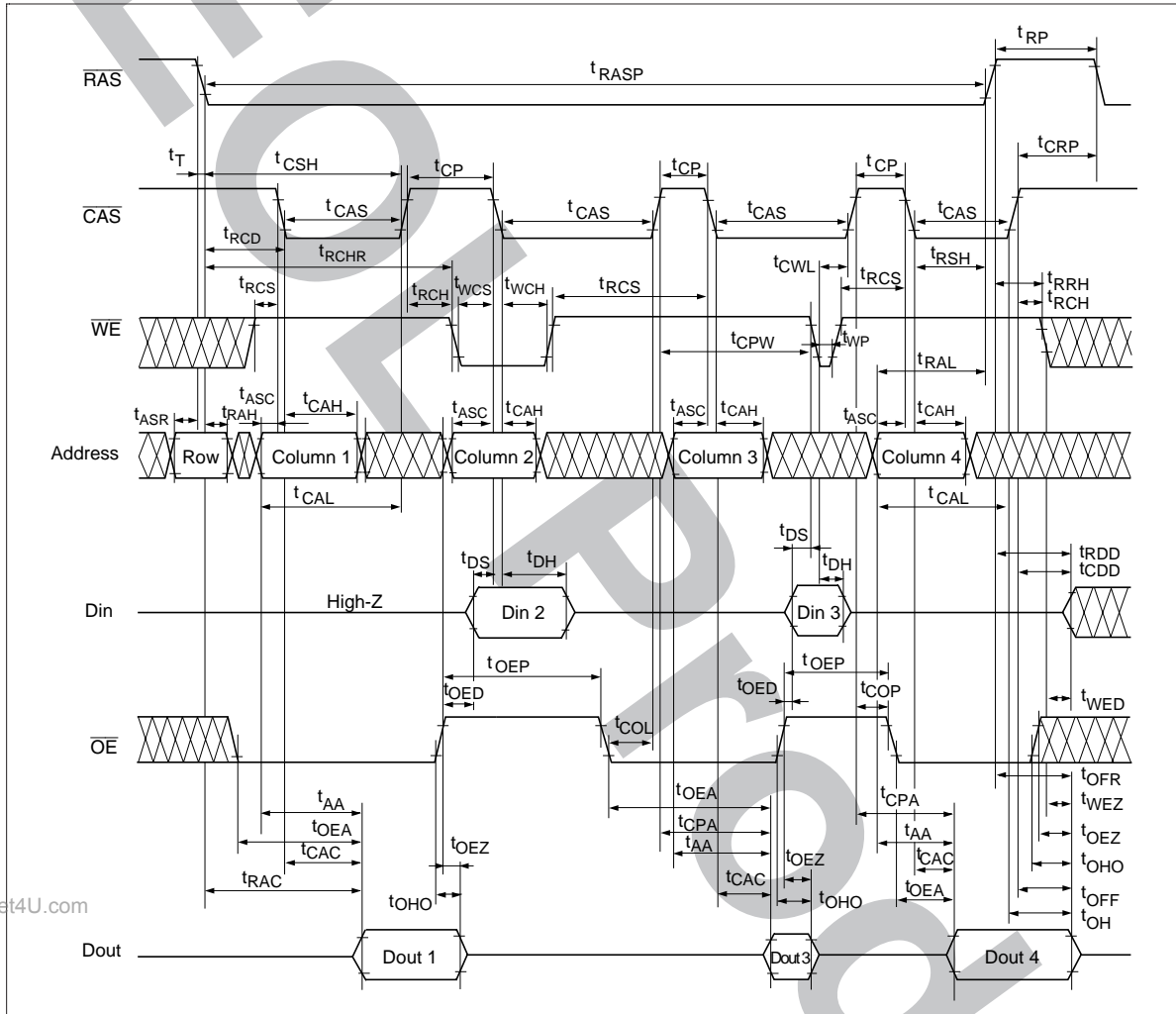
EDO Page Mode Mix Cycle (1)*20



www.DataSheet4U.com

HB56UW3272ETK-F

EDO Page Mode Mix Cycle (2)*20

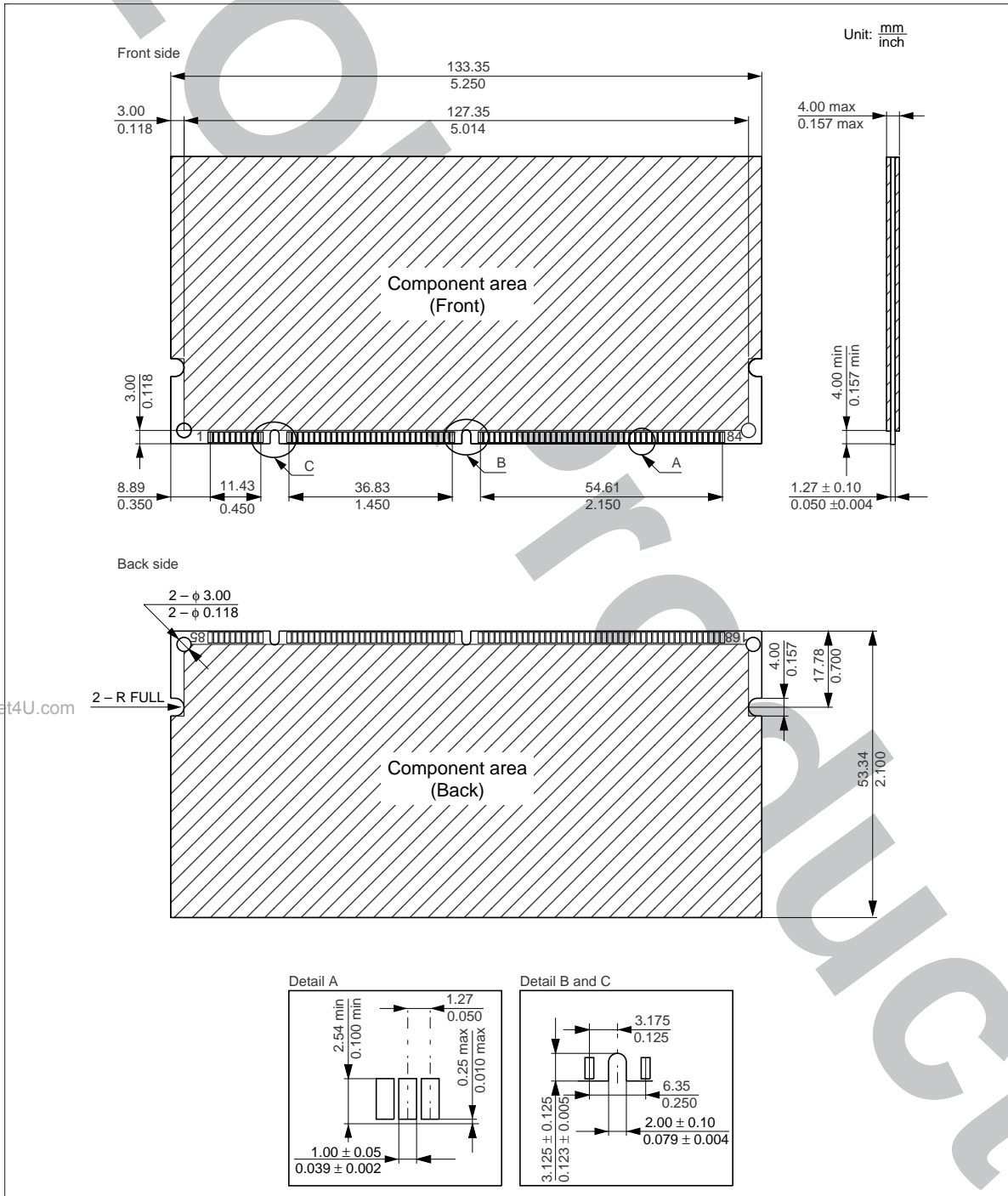


www.DataSheet4U.com

HB56UW3272ETK-F

Physical Outline

HB56UW3272ETK Series



HB56UW3272ETK-F

Cautions

1. Elpida Memory, Inc. neither warrants nor grants licenses of any rights of Elpida Memory, Inc.'s or any third party's patent, copyright, trademark, or other intellectual property rights for information contained in this document. Elpida Memory, Inc. bears no responsibility for problems that may arise with third party's rights, including intellectual property rights, in connection with use of the information contained in this document.
2. Products and product specifications may be subject to change without notice. Confirm that you have received the latest product standards or specifications before final design, purchase or use.
3. Elpida Memory, Inc. makes every attempt to ensure that its products are of high quality and reliability. However, contact Elpida Memory, Inc. before using the product in an application that demands especially high quality and reliability or where its failure or malfunction may directly threaten human life or cause risk of bodily injury, such as aerospace, aeronautics, nuclear power, combustion control, transportation, traffic, safety equipment or medical equipment for life support.
4. Design your application so that the product is used within the ranges guaranteed by Elpida Memory, Inc. particularly for maximum rating, operating supply voltage range, heat radiation characteristics, installation conditions and other characteristics. Elpida Memory, Inc. bears no responsibility for failure or damage when used beyond the guaranteed ranges. Even within the guaranteed ranges, consider normally foreseeable failure rates or failure modes in semiconductor devices and employ systemic measures such as fail-safes, so that the equipment incorporating Elpida Memory, Inc. product does not cause bodily injury, fire or other consequential damage due to operation of the Elpida Memory, Inc. product.
5. This product is not designed to be radiation resistant.
6. No one is permitted to reproduce or duplicate, in any form, the whole or part of this document without written approval from Elpida Memory, Inc..
7. Contact Elpida Memory, Inc. for any questions regarding this document or Elpida Memory, Inc. semiconductor products.

© Elpida Memory, Inc. 2001