

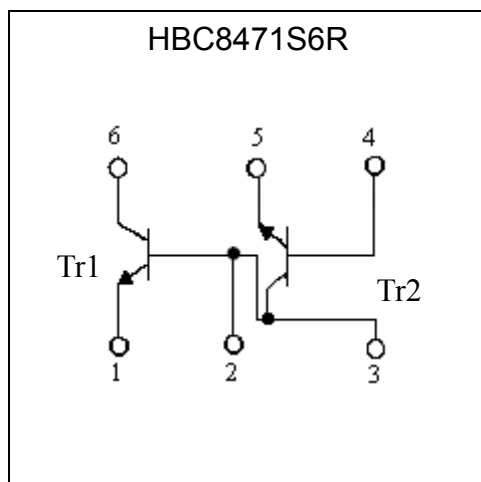
## General Purpose NPN Epitaxial Planar Transistors (dual transistors)

# HBC8471S6R

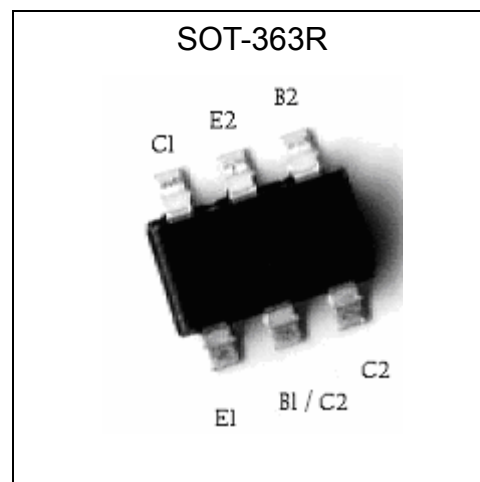
### Features

- Two BTC2412 chips in a SOT-363R package.
- Mounting possible with SOT-323 automatic mounting machines.
- Transistor elements are independent, eliminating interference.
- Mounting cost and area can be cut in half.
- Low Cob. Typ. Cob=2.0pF.
- Pb-free package.

### Equivalent Circuit



### Outline



**The following characteristics apply to both Tr1 and Tr2**

### Absolute Maximum Ratings (Ta=25°C)

Parameter	Symbol	Limits	Unit
Collector-Base Voltage	V <sub>CB0</sub>	60	V
Collector-Emitter Voltage	V <sub>CEO</sub>	50	V
Emitter-Base Voltage	V <sub>EBO</sub>	6	V
Collector Current	I <sub>C</sub>	200	mA
Power Dissipation	P <sub>D</sub>	200(total) (Note)	mW
Junction Temperature	T <sub>j</sub>	150	°C
Storage Temperature	T <sub>stg</sub>	-55~+150	°C

Note : 150mW per element must not be exceeded.

**Characteristics** (Ta=25°C)

Symbol	Min.	Typ.	Max.	Unit	Test Conditions
BV <sub>CBO</sub>	60	-	-	V	I <sub>C</sub> =100μA
BV <sub>CEO</sub>	50	-	-	V	I <sub>C</sub> =1mA
BV <sub>EBO</sub>	6	-	-	V	I <sub>E</sub> =50μA
I <sub>CBO</sub>	-	-	100	nA	V <sub>CB</sub> =60V
I <sub>EBO</sub>	-	-	100	nA	V <sub>EB</sub> =5V
V <sub>CE(sat)</sub>	-	-	0.3	V	I <sub>C</sub> =100mA, I <sub>B</sub> =10mA
V <sub>BE(sat)</sub>	-	-	1	V	I <sub>C</sub> =100mA, I <sub>B</sub> =10mA
h <sub>FE</sub>	200	-	560	-	V <sub>CE</sub> =6V, I <sub>C</sub> =1mA
h <sub>FE</sub>	25	-	-	-	V <sub>CE</sub> =6V, I <sub>C</sub> =150mA
f <sub>T</sub>	80	160	-	MHz	V <sub>CE</sub> =12V, I <sub>C</sub> =2mA, f=100MHz
C <sub>ob</sub>	-	2	4	pF	V <sub>CB</sub> =10V, f=1MHz

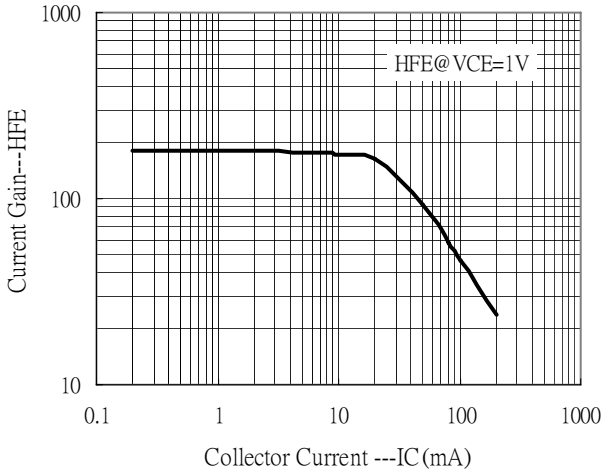
\*Pulse Test: Pulse Width ≤380μs, Duty Cycle ≤2%

**Ordering Information**

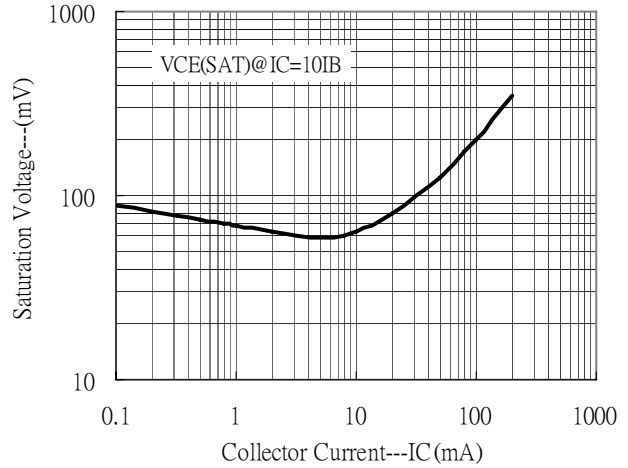
Device	Package	Shipping	Marking
HBC8471S6R	SOT-363 (Pb-free)	3000 pcs / Tape & Reel	CH

**Characteristic Curves**

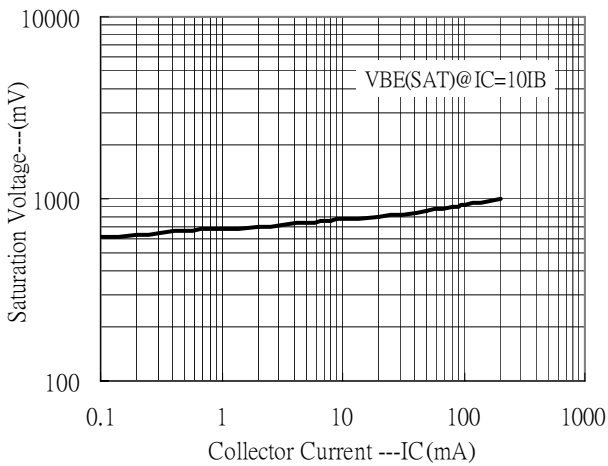
Current Gain vs Collector Current



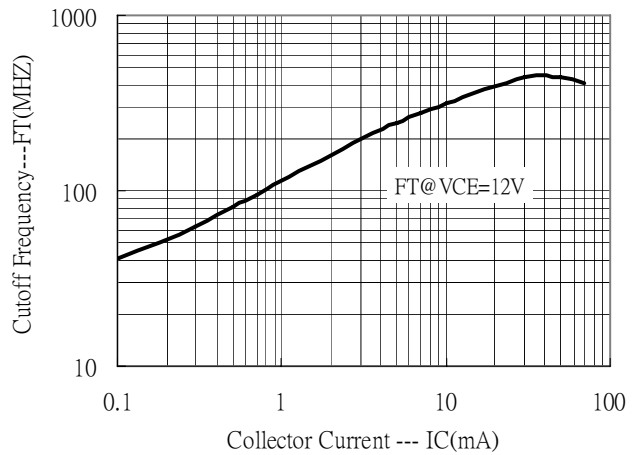
Saturation Voltage vs Collector Current



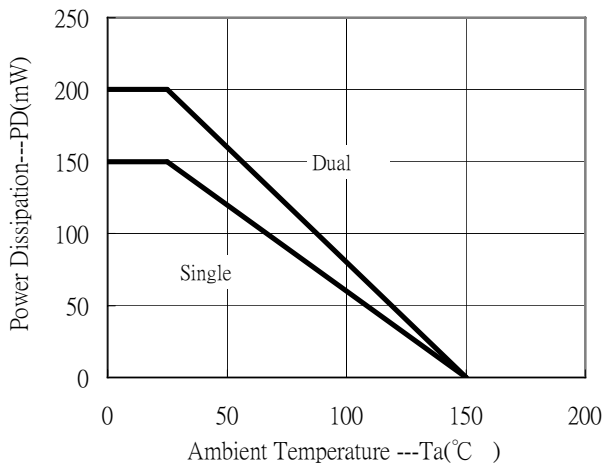
Saturation Voltage vs Collector Current



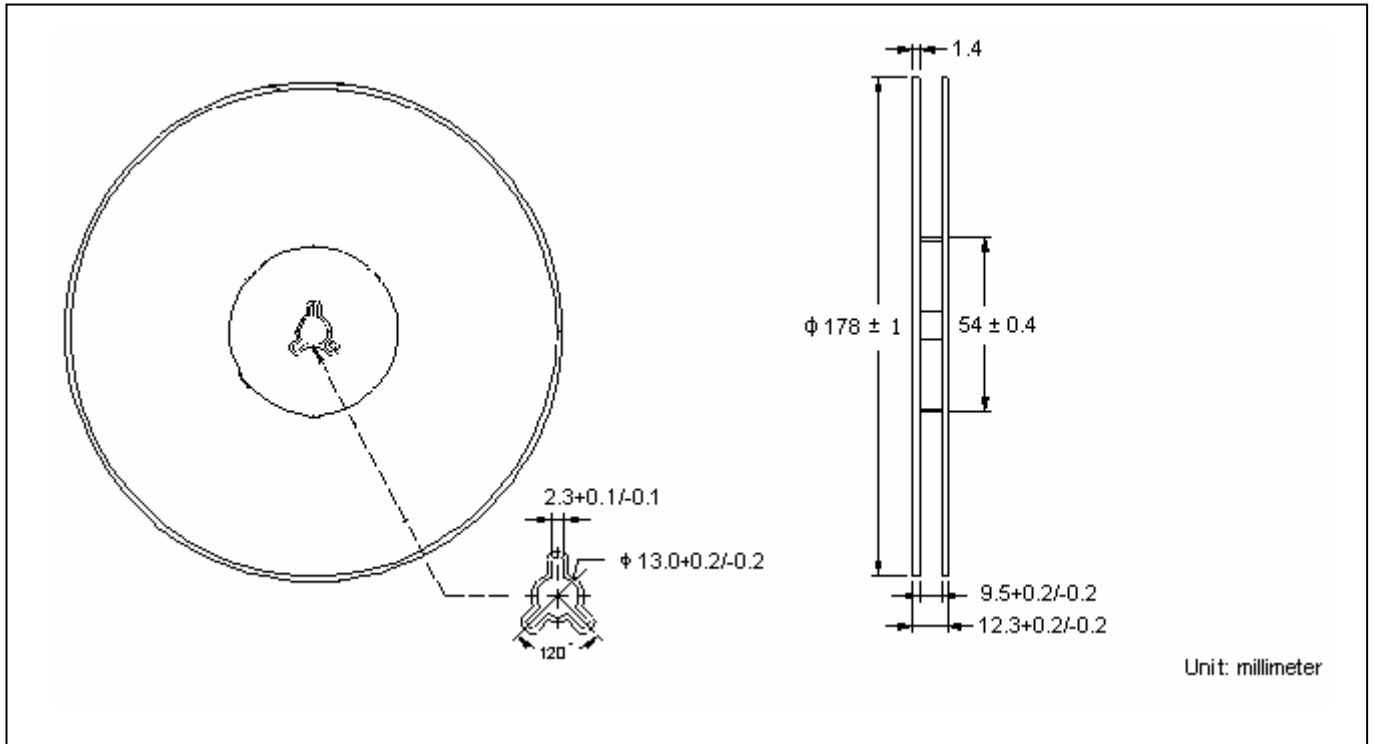
Cutoff Frequency vs Collector Current



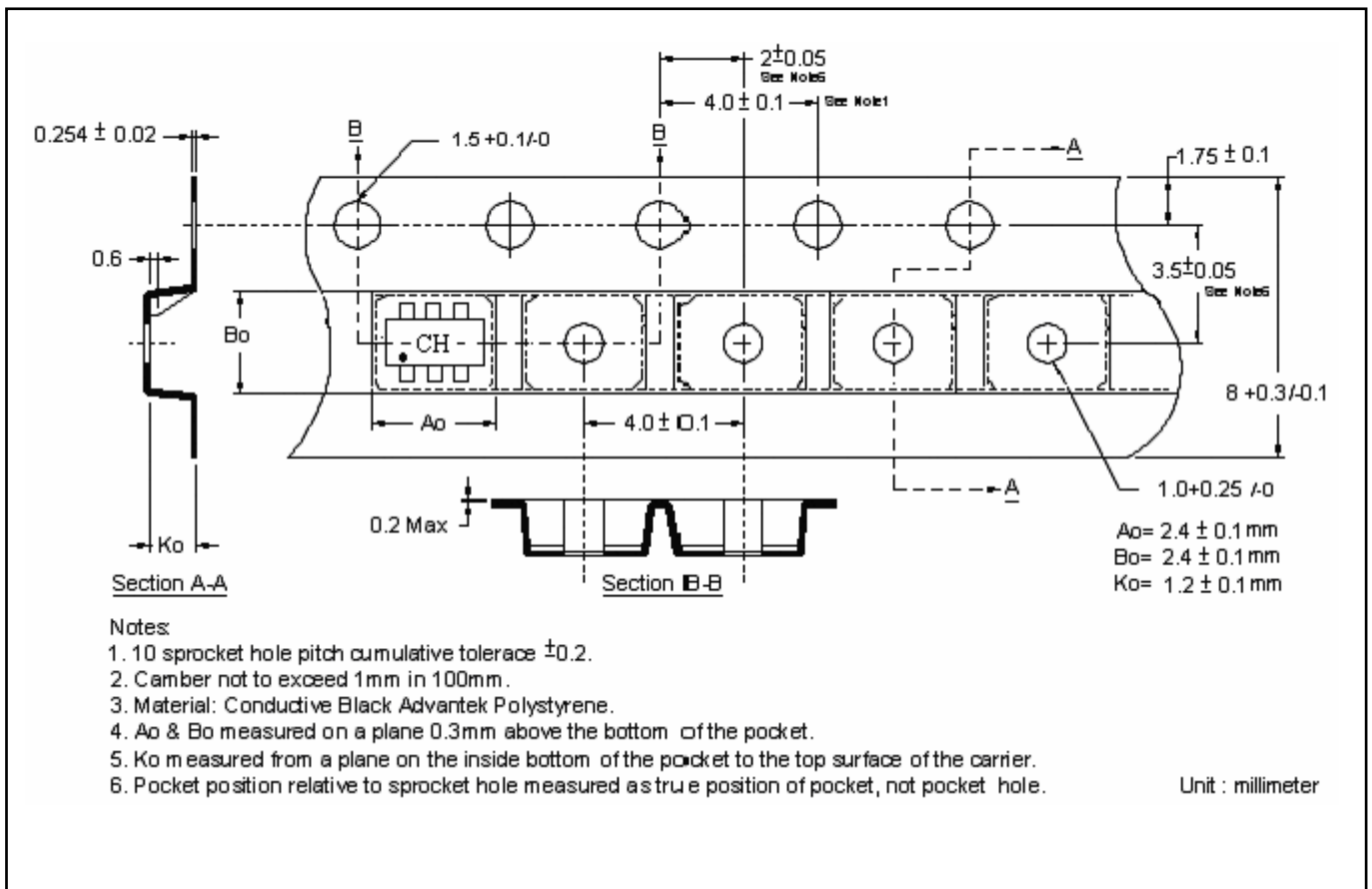
Power Derating Curves



**Reel Dimension**



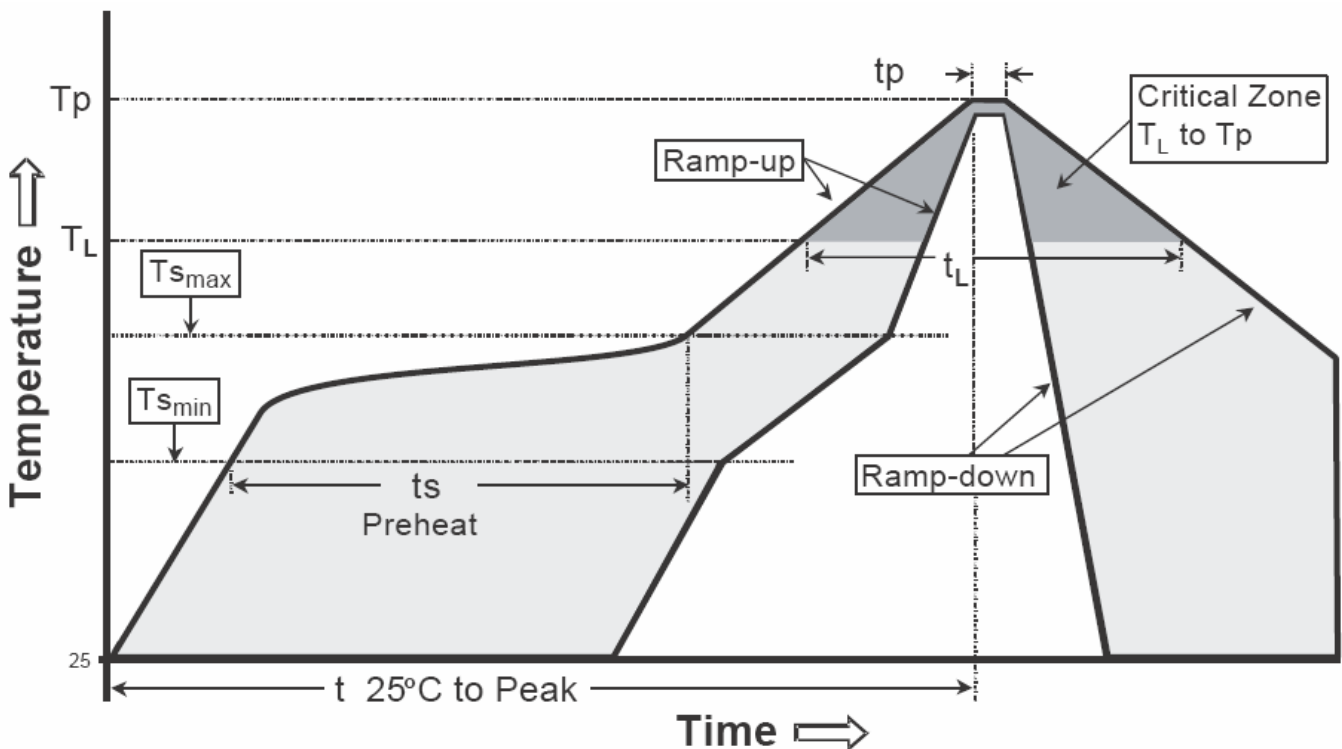
**Carrier Tape Dimension**



**Recommended wave soldering condition**

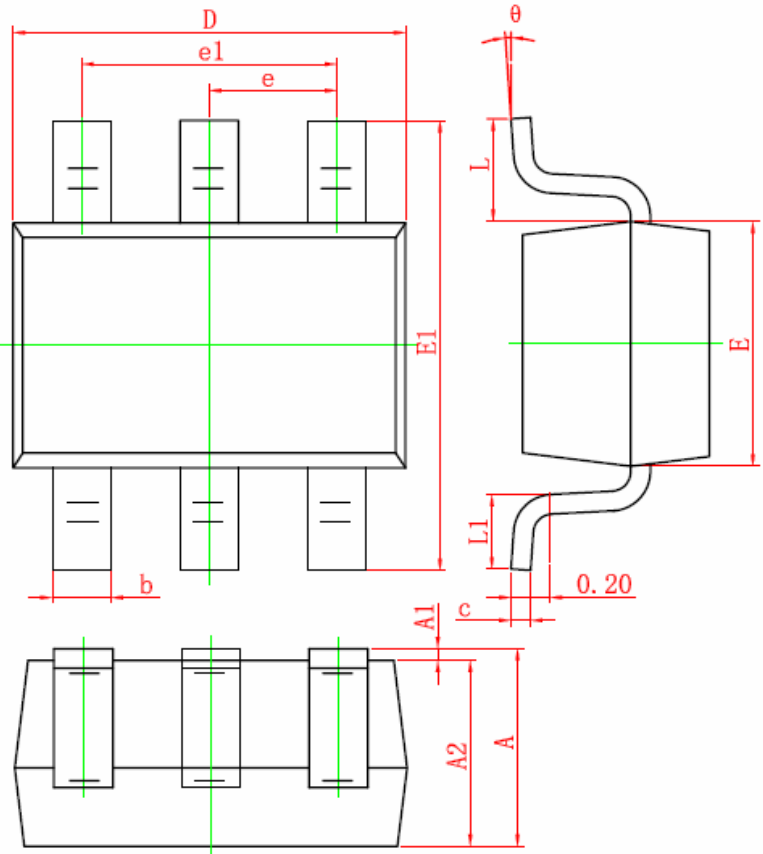
Product	Peak Temperature	Soldering Time
Pb-free devices	260 +0/-5 °C	5 +1/-1 seconds

**Recommended temperature profile for IR reflow**



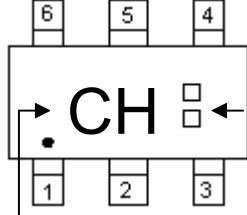
Profile feature	Sn-Pb eutectic Assembly	Pb-free Assembly
Average ramp-up rate (Tsmax to Tp)	3°C/second max.	3°C/second max.
Preheat		
-Temperature Min(Ts min)	100°C	150°C
-Temperature Max(Ts max)	150°C	200°C
-Time(ts min to ts max)	60-120 seconds	60-180 seconds
Time maintained above:		
-Temperature (TL)	183°C	217°C
- Time (tL)	60-150 seconds	60-150 seconds
Peak Temperature(TP)	240 +0/-5 °C	260 +0/-5 °C
Time within 5°C of actual peak temperature(tp)	10-30 seconds	20-40 seconds
Ramp down rate	6°C/second max.	6°C/second max.
Time 25 °C to peak temperature	6 minutes max.	8 minutes max.

**SOT-363 Dimension**



The diagram shows three views of the SOT-363R package: a top view, a side view, and a bottom view. Dimensions are labeled in red: D (total width), e1 (lead pitch), e (lead width), E1 (package height), b (lead width), A1 (lead height), c (lead thickness), A2 (lead height), A (total height), L (lead length), L1 (lead length), and θ (lead angle). A 0.20 dimension is also shown for the lead thickness.

**Marking:**



Date Code:  
 Year + Month  
 Year : 6→2006, 7→2007, ..., etc  
 Month : 1→Jan, 2→Feb, ..., 9→Sep, A→Oct, B→Nov, C→Dec

Device Code

**6-Lead SOT-363R Plastic Surface Mounted Package**  
 CYStek Package Code: S6R

**Style:**  
 Pin 1. Emitter1 (E1)  
 Pin 2. Base1/Collector1 (B1/C1)  
 Pin 3. Collector2 (C2)  
 Pin 4. Base2 (B2)  
 Pin 5. Emitter2 (E2)  
 Pin 6. Collector1 (C1)

DIM	Millimeters		Inches		DIM	Millimeters		Inches	
	Min.	Max.	Min.	Max.		Min.	Max.	Min.	Max.
A	0.900	1.100	0.035	0.043	E1	2.150	2.450	0.085	0.096
A1	0.000	0.100	0.000	0.004	e	0.650	TYP	0.026	TYP
A2	0.900	1.000	0.035	0.039	e1	1.200	1.400	0.047	0.055
b	0.150	0.350	0.006	0.014	L	0.525	REF	0.021	REF
c	0.080	0.150	0.003	0.006	L1	0.260	0.460	0.010	0.018
D	2.000	2.200	0.079	0.087	θ	0°	8°	0°	8°
E	1.150	1.350	0.045	0.053					

**Notes :** 1. Controlling dimension : millimeters.  
 2. Maximum lead thickness includes lead finish thickness, and minimum lead thickness is the minimum thickness of base material.  
 3. If there is any question with packing specification or packing method, please contact your local CYStek sales office.

**Material :**

- Lead : Pure tin plated.
- Mold Compound : Epoxy resin family, flammability solid burning class:UL94V-0.

**Important Notice:**

- All rights are reserved. Reproduction in whole or in part is prohibited without the prior written approval of CYStek.
- CYStek reserves the right to make changes to its products without notice.
- CYStek **semiconductor products are not warranted to be suitable for use in Life-Support Applications, or systems.**
- CYStek assumes no liability for any consequence of customer product design, infringement of patents, or application assistance.